

This Owner's Manual is provided and hosted by [Appliance Factory Parts](#).



# GE JP385BD Owner's Manual

[Shop genuine replacement parts for GE JP385BD](#)



[Find Your GE Electric Range Parts - Select From 348 Models](#)

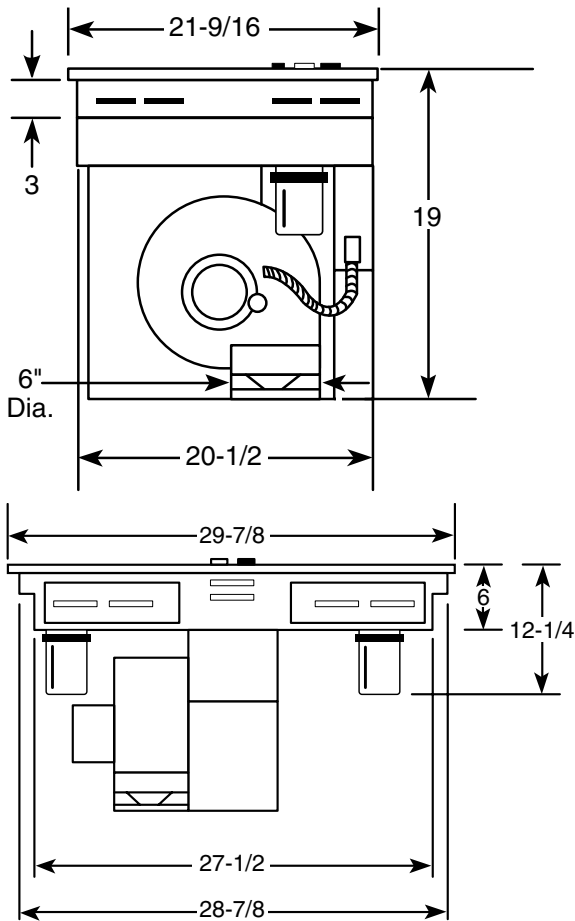
----- Manual continues below -----



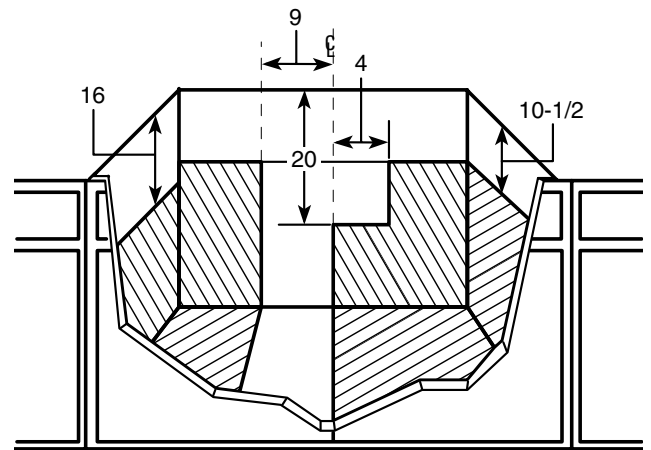
GE Appliances

## JP385BD/WD – GE Select-Top™ Modular Downdraft Cooktop

### Built-In Downdraft Modular Cooktop Dimensions (in inches)



### Built-In Downdraft Modular Cooktop Cabinet Dimensions (in inches)



Specification Created 6/02

Recept  
junction  
diagram  
below t  
**Install**  
consult  
product

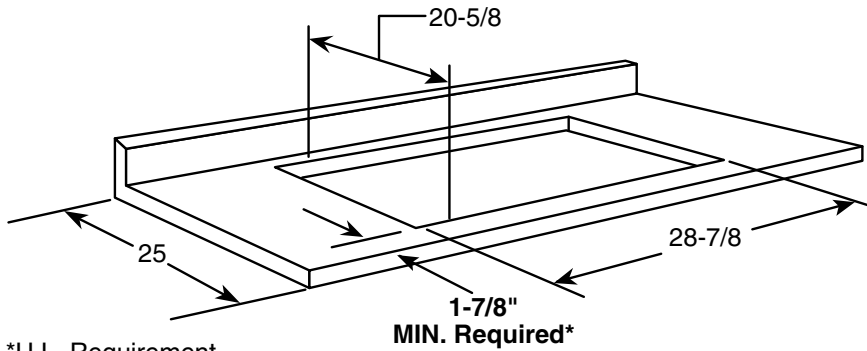


For ans  
GE app  
GEAppl  
GE Ans



# JP385BD/WD – GE Select-Top™ Modular Downdraft Cooktop

## Cutout Dimensions (in inches)



\*U.L. Requirement.

**Note:** A 6" minimum spacing to adjacent side wall is required

**Note:** In some cabinets, the sides may need to be scooped or braces removed in order to accommodate the cooktop.

**Wall Installation:** Wall installations require 25" countertop on the wall, the fan housing can be rotated to the horizontal position. Make a countertop cutout that is centered in the range and installation type. Duct hole is positioned in back of cabinet.

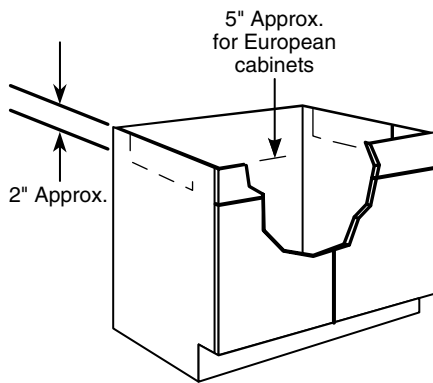
**Peninsula or Island Installation:** For peninsula or island installation, a depth of 25" is suggested. Blower should be in vertical position. Adjustment in cutout depth and/or location within the width of the bottom of cabinet for island or peninsula installation.

**Slab Installation:** For peninsula or island installation and approved piping should be used if installing under a concrete slab.

**Installing the Ductwork:** Use minimum 26-gauge galvanized round or 3-1/4" x 10" size, or combination of both.

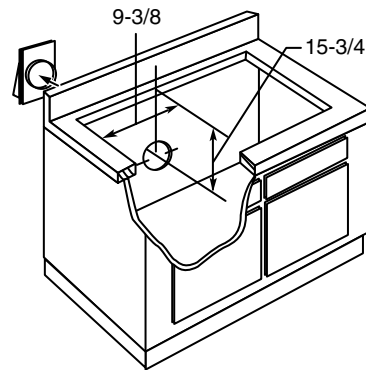
**PVC duct or locally approved piping should be used under a concrete slab.**

## Preparing the Cabinet for Installation

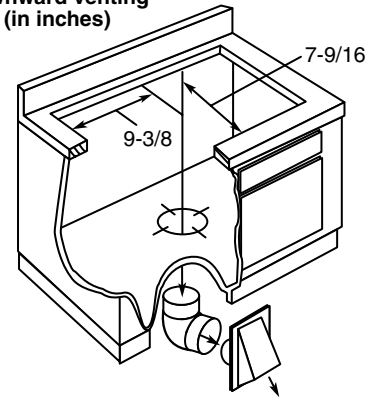


Specification Created 6/02

### Rear wall venting (in inches)



### Downward venting (in inches)

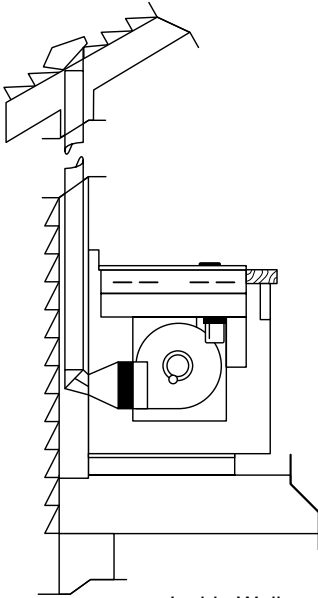


For answers to questions about GE appliances, visit GEAppliances.com or call 1-800-GE-ANSWERS.

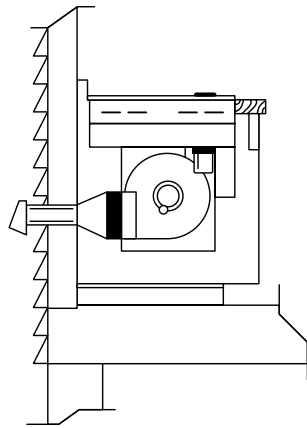


# JP385BD/WD – GE Select-Top™ Modular Downdraft Cooktop

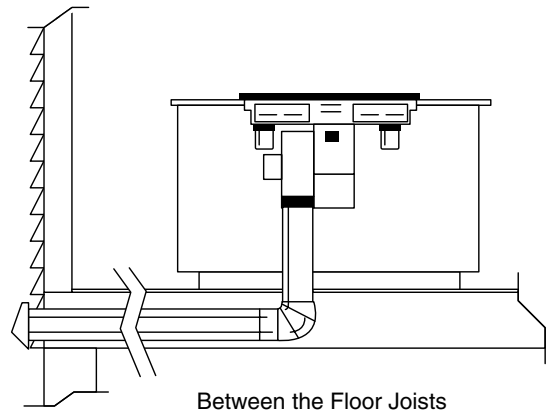
## Venting Options



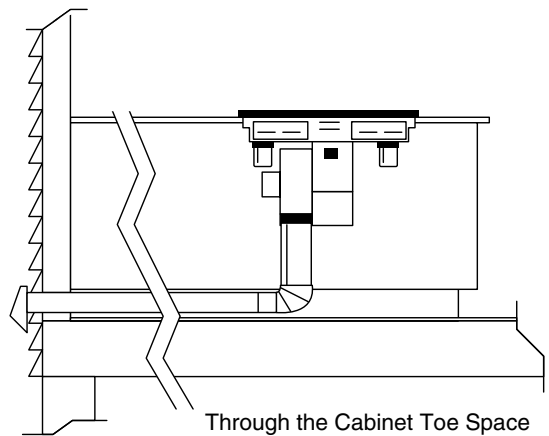
Inside Wall Through Roof



Direct to Outside Straight Duct



Between the Floor Joists



Through the Cabinet Toe Space

Specification Created 6/02

<b>KW Rating</b>
<b>240V</b>
<b>Breaker</b>
40 Amp

†Note: Check

**Note:** Duct vent into a concealed space with a wall cap with a backdraft damper. **should never** use, the shortest duct with as few elbows as possible for best performance. Equivalent lengths for elbows are listed in the lengths for elbows table.

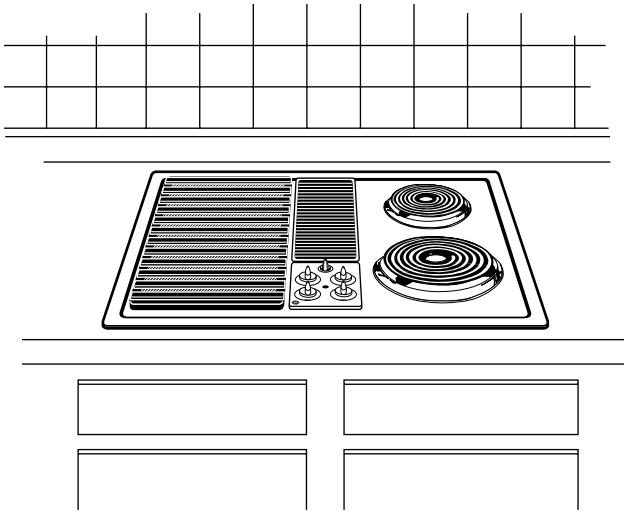
**Installation:** See installation instructions for current dimmer.



For answers to questions about GE appliances, visit [GEAppliances.com](http://GEAppliances.com) or call a GE AnswerLine representative.



## JP385BD/WD – GE Select-Top™ Modular Downdraft Cooktop



### Features and Benefits

- 30" Single Modular Cooktop
- Fixed 6" and 8" Plug-In Calrod® Heating Elements
- Infinite Heat Rotary Controls
- Powerful Downdraft Venting System
- Heating Element "ON" Indicator Light
- Porcelain-Enameled Cooktop
- Left Side Accepts Optional Cooking Modules
- Single-Speed Downdraft Vent Fan
- Optional Modules Available At Additional Cost
- Model JP385WD – White on white
- Model JP385BD – Black on black

Specification Created 6/02

	Models	
<b>Optional modules (available at additional cost)</b>	<b>JP385WD</b>	
<b>Calrod® modules</b>	JXDC44RWH	JX
<b>Ribbon modules</b>	JXDR50VW	JX
<b>Grill modules</b>	JXDL44N	J
<b>Griddle Accessory</b>	JXDD44R	J
<b>Grill Cover</b>	JXDM3	