

This Owner's Manual is provided and hosted by [Appliance Factory Parts](#).



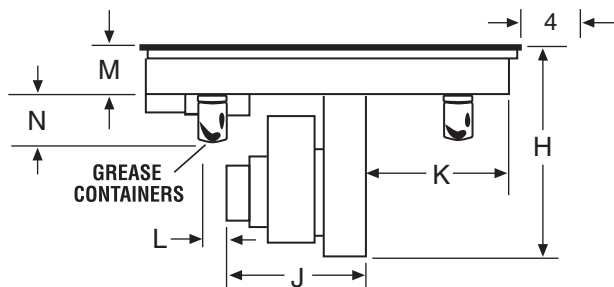
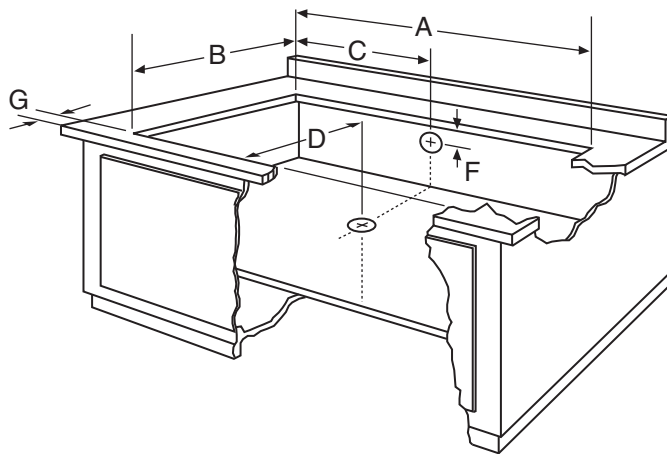
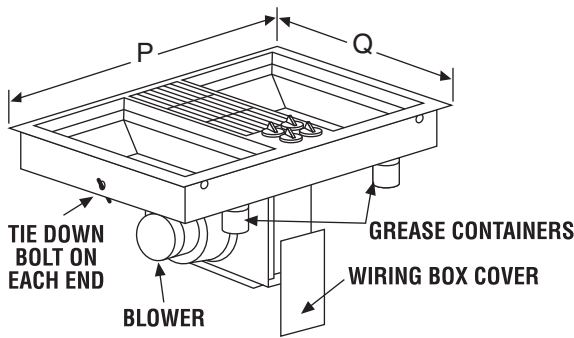
Jenn Air JED8130AD Owner's Manual

[Shop genuine replacement parts for Jenn Air
JED8130AD](#)



[Find Your Jenn Air Electric Range Parts - Select From 50 Models](#)

----- Manual continues below -----



Style of product may vary from picture

PRODUCT DIMENSIONS

	INCHES	CENTIMETERS
A	29 ± 1/16	73.7 ± .2
B	21 ± 1/16	53.3 ± .2
C	9 3/8	23.8
D	7 9/16	19.2
F	13	33.0
G	1 7/8 min	4.8 min
H	13 13/16 min	34.8 min
J	13 3/4	34.9
K	11 13/16	30.0
L ²	2 min	5.1 min
M	3 1/2	8.9
N ³	6 1/4 min	15.9 min
P	30	76.2
Q	21 3/4	55.2

MODEL SKUs

JED8130ADB
JED8130ADW

NOTES:

1. Where possible, 6" (15.2 cm) is recommended for motor blower service. Minimum clearance of 1" (2.5 cm) is required to sidewalls and 3/4" (1.9cm) to rear wall.
2. Provide 2" minimum (5.1 cm) cabinet clearance to motor for cooling purpose.
3. Provide 6 1/4" minimum (15.9 cm) required for removal of (supplied) grease container(s).
Installed dimension for (supplied) grease container(s) is 5 1/2" (14.0 cm)
4. Grills installed near a side wall must allow a minimum clearance of 6" (15.2 cm) between cooktop and side wall for maximum performance.
5. Vents up to 60 equivalent feet.
6. This appliance has been designed in accordance with the requirements of various safety agencies and comply with the maximum allowable wood cabinet temperatures of 194° F. If these appliances are installed with cabinets that have a lower working temperature than 194° F, discoloration, delamination or melting may occur.

Electrical requirements: Provide for 120/240 or 120/208 VAC, 60 Hz. The unit must be properly circuitprotected and wired according to local electrical codes.

Important: Because of continuing product improvements, Jenn-Air® reserves the right to change specifications without notice. Dimensional specifications are provided for planning purposes only. For complete details see installation instructions that accompany each product before selecting cabinetry, making cutouts or beginning installation.