

This Owner's Manual is provided and hosted by [Appliance Factory Parts](#).



# Jenn Air JED8230AD Owner's Manual

[Shop genuine replacement parts for Jenn Air  
JED8230AD](#)



[Find Your Jenn Air Electric Range Parts - Select From 50 Models](#)

----- Manual continues below -----

# INSTALLATION MANUAL

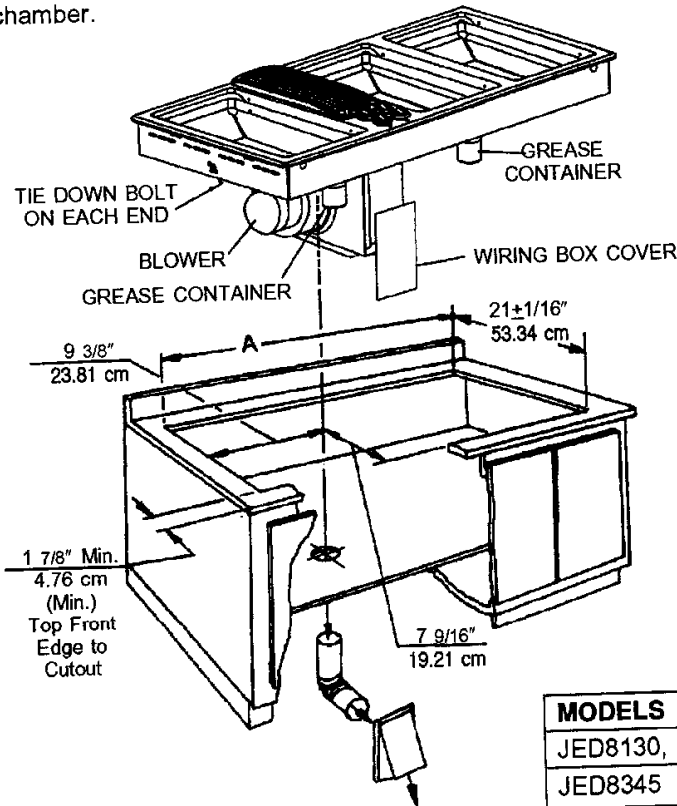
## Electric Convertible Cooktop Models JED8130, JED8230 & JED8345



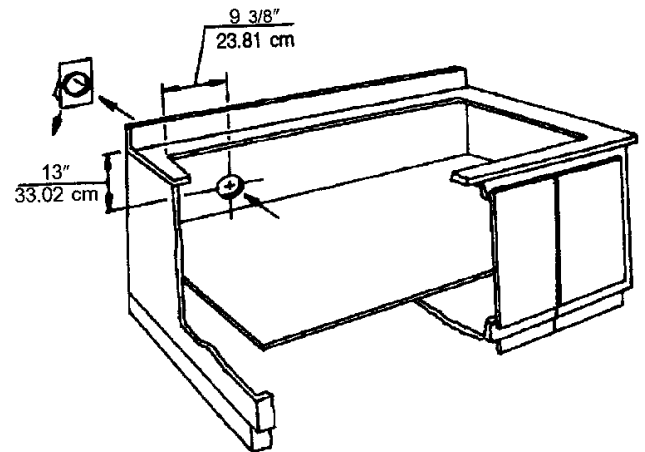
403 WEST FOURTH STREET, NORTH • NEWTON, IA 50208

### DIMENSIONS SHOWN IN BOTH INCHES AND CENTIMETERS

\*Blower may be rotated for horizontal or vertical direction by loosening nuts around blower inlet. Accessible inside ventilation chamber.



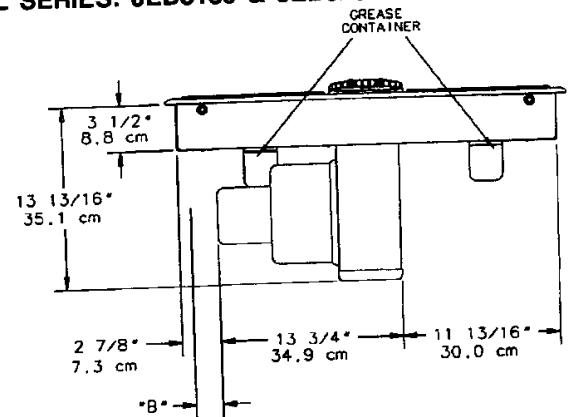
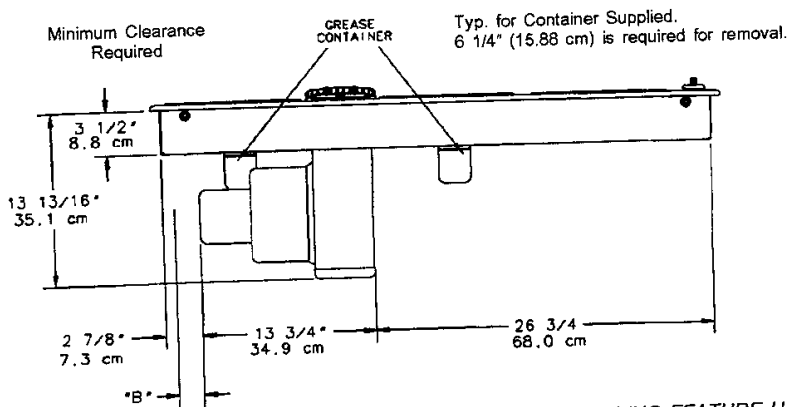
- **NOTICE TO INSTALLER:** Leave these instructions with the appliance.
- **NOTICE TO CONSUMER:** Retain these instructions for future reference.



MODELS	A	INCHES	CM
JED8130, JED8230	Double Bay	29 ± 1/16	73.66
JED8345	Triple Bay	43 1/4 ± 1/16	109.86 ± .16

#### MODEL SERIES: JED8345 TRIPLE BAY

#### MODEL SERIES: JED8130 & JED8230 DOUBLE BAY



ONLY MODELS WITH GRILLING FEATURE HAVE BEEN ILLUSTRATED

### INSTRUCTIONS TO INSTALLER

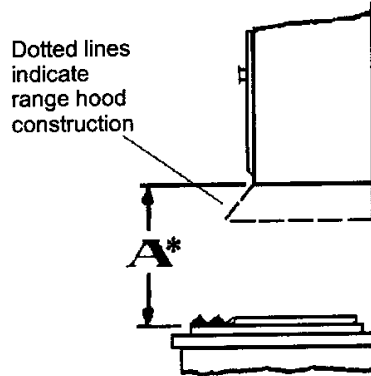
- Dimension "B" - Provide 2" min. (5.08 cm) cabinet clearance to motor for cooling purpose.
- **Installer** - Where possible, 6" (15.24 cm) is recommended for motor/blower service.
- **Side Clearance** - Grill models installed near a side wall must allow a minimum clearance of 6" (15.24 cm) for maximum performance.
- **Electrical Hook UP** - The unit should be properly circuit protected and wired according to local electrical codes. See electrical wiring information on back. Unit power requirements are located on the data plate.
- **\*\* Access** must be provided to remove and empty grease container(s).

8101P421-60  
(10-01-00)

## Installing Cabinetry Over Your Jenn-Air Grill

A\* = 30" (76.2 cm) minimum clearance between the top of the cooking platform and the bottom of an unprotected wood or metal cabinet.

A\* = 24" (60.96 cm) minimum clearance when bottom of wood or metal cabinet is protected by not less than 1/4" (0.635 cm) FLAME RETARDANT millboard covered with no less than no. 28 MSG sheet steel, 0.015" (0.038 cm) stainless steel, 0.024" (0.061 cm) aluminum or copper.



\* To eliminate the risk of burns or fire by reaching over heated surface units, cabinet storage space located above the surface units should be avoided. If cabinet storage is to be provided, the risk can be reduced by installing a range hood that projects horizontally a minimum of 5 inches beyond the bottom of the cabinets.

## Installer Installation Suggestions

1. Chamfer all exposed edges of decorative laminate to prevent damage from chipping.
2. Radius corners of cutout and file to insure smooth edges and prevent corner cracking. Recommend 1/4" or 3/8" diameter drill in each corner.
3. Rough edges, inside corners which have not been rounded and forced fits can contribute to cracking of the counter top laminate.
4. Countertop must be supported within 3" of cutout.

### CAUTION

Warranty is void on JENN-AIR equipment installed other than as recommended by manufacturer. Recommended wall caps and transitions must be utilized for proper operation and installation.

## Electrical Wiring Information

The neutral of this unit is grounded to the frame through the green grounding wire. If local conditions do not permit grounding of the neutral, untwist or disconnect the green wire and connect the green wire to ground in accordance with local codes. Connect the white neutral to the service neutral.

## Proper Electric Supply

You must provide an adequate electrical supply system as required for your cooktop. All wire connections must be in accordance with local codes and properly insulated. Check with local utility for governing electrical codes and ordinances. In the absence of local electrical codes, the National Electrical Code, NFPA No. 70, governing electric range installations must be followed. A copy of the National Electrical Code, NFPA No. 70, can be obtained by writing to:

**NATIONAL FIRE PROTECTION ASSOC.**  
Batterymarch Park  
Quincy, Massachusetts 02269

A three-wire, single phase, A.C. 120/240 volt 60 cycle electrical system (properly circuit protected to meet Local Codes of NFPA No. 70) must be provided. Unit must be properly grounded in accordance with local wiring code. The chart below recommends the minimum circuit protector and wire size if the appliance is the only unit on the circuit. If smaller sizes of wire are used, the unit efficiency will be reduced and a fire hazard may be created. It is advisable that the electrical wiring and hookup be accomplished by a competent electrician.

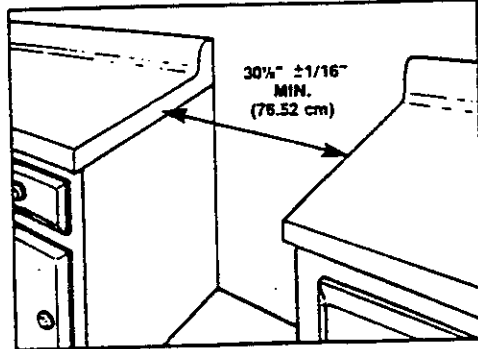
RECOMMENDED MINIMUM				
K.W. RATING ON SERIAL PLATE	CIRCUIT PROTECTION IN AMPERES	WIRE SIZE, AWG	REMOVE KNOCKOUT	
0 - 4.9	20	12	NO	
5.0 - 6.9	30	10	NO	
7.0 - 9.9	40	8	NO	
10.0 - 11.9	50	8	**YES	
12.0 - 14.9	60	6	**YES	

**SAVE FOR LOCAL ELECTRICAL INSPECTOR'S USE**

240 Edwards Street, SE  
 Cleveland, Tennessee 37311  
 Tel: 423-472-3333  
 Fax: 423-478-6710

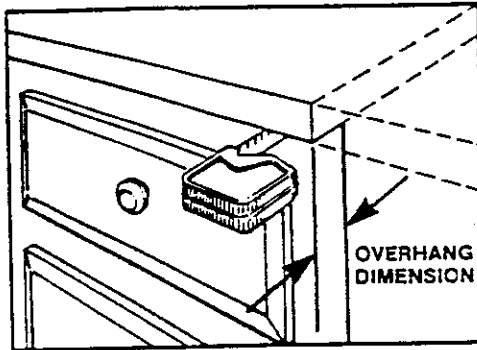
#### 4. FREE-STANDING CUTOUT

- 30 1/8" (76.52 cm) minimum clearance is required.
- Carefully mark the counter top, recheck your dimensions and make the cutout.
- NOTE: Range side panels may be desirable if the cutout is too large or cabinets are on one side of the range only.



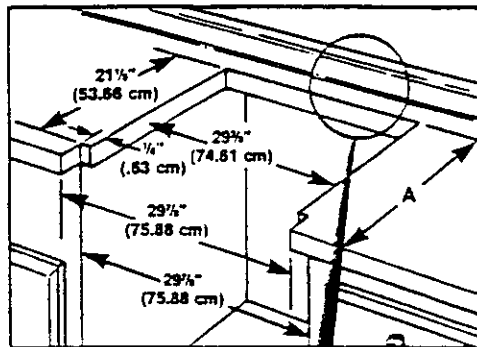
#### 5. MEASURE FOR SLIDE-IN CUTOUT

- Most standard counters are 25" (63.50 cm) deep, 36" (91.44 cm) high, and extend 1" (2.54 cm) over the cabinet front.
- Measure the countertop and overhang.



#### 6. SLIDE-IN CUTOUT

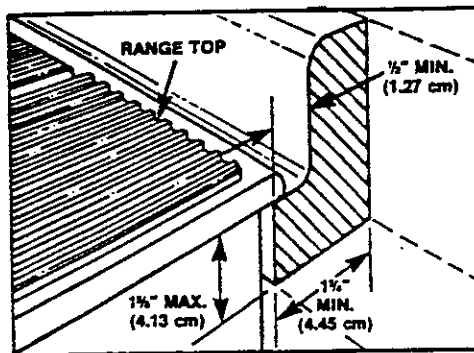
- Use the overhang measurement to figure the "A" dimension:  
 Overhang 1/2" (1.27 cm) to 1" (2.54 cm) "A" = 22 7/8" (58.11 cm)  
 Overhang 1" (2.54 cm) to 1 3/4" (4.45 cm) "A" = 23 3/16" (58.90 cm)
- Carefully mark the countertop and recheck your dimensions.
- Before you cut, check the rear countertop dimensions. (See #7).



240 Edwards Street, SE  
 Cleveland, Tennessee 37311  
 Tel: 423-472-3333  
 Fax: 423-478-6710

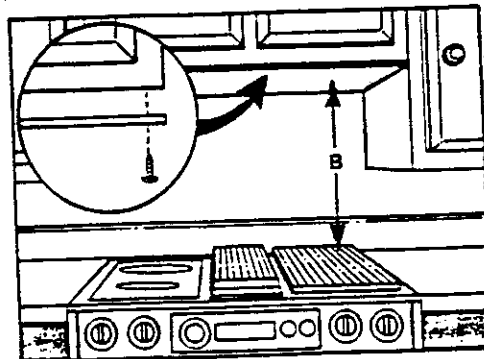
### 7. SLIDE-IN CUTOUT

- Check your marked-up dimensions carefully. The rear dimensions shown in the illustration must be maintained.
- NOTE: Where this is not done, it will be necessary to relieve a portion of the underside of the countertop and/or support members to clear the range rear panel.
- Cutting tolerance is  $\pm 1/16"$  (.16 cm).
- Carefully mark the cutout.



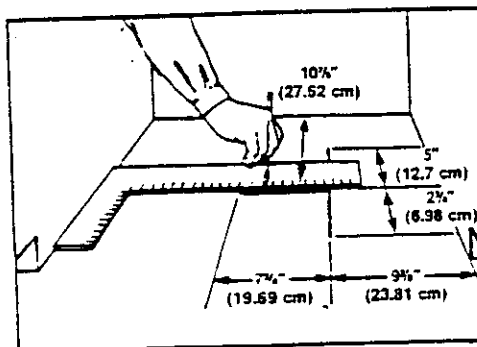
### 8. OVER-RANGE CABINETS

- To eliminate the hazard of reaching over a heated surface unit, cabinet storage space above the range should be avoided. However, if over-range cabinets are necessary, observe the following:
  - B = 30" (76.2 cm) minimum clearance between the top of the cooking platform and the bottom of an unprotected wood or metal cabinet.
  - B = 24" (60.96 cm) minimum when bottom of wood or metal cabinet is protected by not less than 1/4" (0.635 cm) FLAME RETARDANT millboard covered with not less than No. 28 MSG sheet steel, 0.015" (0.038 cm) stainless steel, 0.024" (0.061 cm) aluminum or copper.



### 9. MEASURE FOR FLOOR VENT

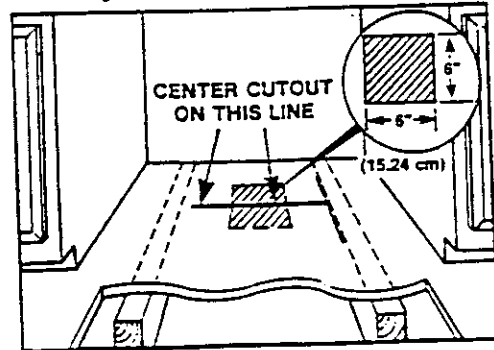
- If unit will be vented through the wall, go to #12.
- Using a square and marking pen, draw the "T" cutout line on the floor (see illustration). Recheck your dimensions.
- If floor will be concrete slab, see enclosed ducting instructions.
- For left and right hand venting through cabinet toe space, see enclosed ducting instructions.



240 Edwards Street, SE  
 Cleveland, Tennessee 37311  
 Tel: 423-472-3333  
 Fax: 423-478-6710

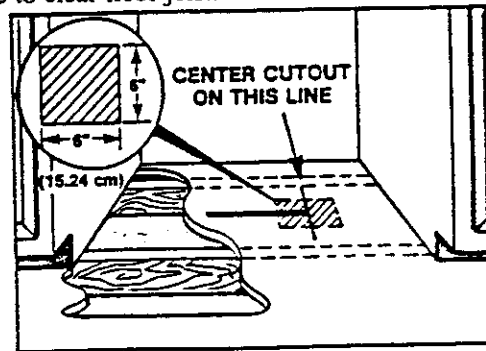
**10. FLOOR VENT CUTOUT (JOISTS AS SHOWN)**

- Check the direction of the floor joists (see illustration). If the joists' direction is as shown, locate the cutout on the "T" as illustrated. *The cutout must miss the floor joists!*
- Cutout may be moved from side to side on line to clear floor joist.
- Recheck your dimensions and make the cutout.



**11. FLOOR VENT CUTOUT (JOISTS AS SHOWN)**

- Check the direction of the floor joists (see illustration). If the joists' direction is as shown, locate the cutout on the "T" as illustrated. *The cutout must miss the floor joists!*
- Cutout may be moved from front to back on line to clear floor joist.
- Recheck your dimensions and make the cutout.

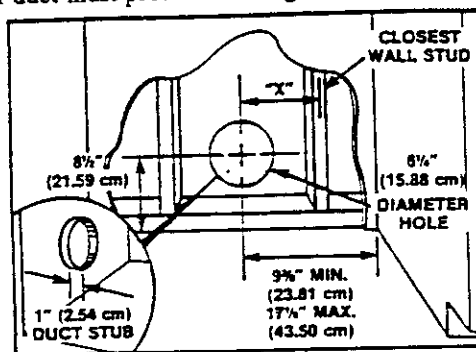


**12. WALL VENT CUTOUT**

- Locate the vertical studs in the rear wall. Studs are usually 16" (40.64 cm) center to center.
- Will the vent duct be 6" (15.24 cm) round through the wall or 3 1/4" x 10" (8.26 cm x 25.4 cm) rectangle, vertically inside the wall?
- See Ducting Instructions for rear duct inside the wall. NOTE: Cutout in wall must clear 3 1/4" x 10" (8.26 cm x 25.4 cm) transition elbow.
- Locate the closest stud to your proposed vent hole location. Use the following chart to figure the "X" dimension. See the illustration for the other dimensions.

VERTICAL DUCT INSIDE WALL		
	6" Round (15.24 cm)	3 1/4" x 10" (8.26 cm x 25.4 cm)
"X" MINIMUM	4" (10.16 cm)	6" (15.24 cm)

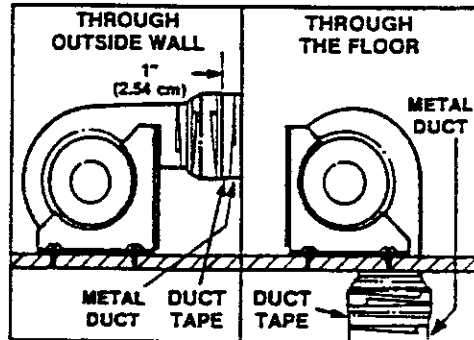
- A 1" (2.54 cm) length of duct must protrude through the wall for connection to the Blower.



240 Edwards Street, SE  
 Cleveland, Tennessee 37311  
 Tel: 423-472-3333  
 Fax: 423-478-5710

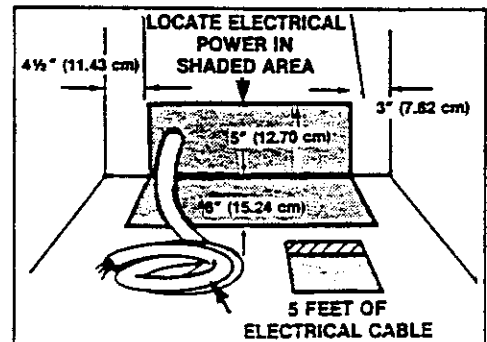
### 13. INSTALL BLOWER (PRIOR TO INSTALLING RANGE)

- Refer to your vent plan. It may be desirable to attach part of the ducting to the blower before it is installed.
- Position the blower (see illustration) and attach it to the floor with at least two (2) screws.
- Apply duct tape around blower exhaust/duct joint.



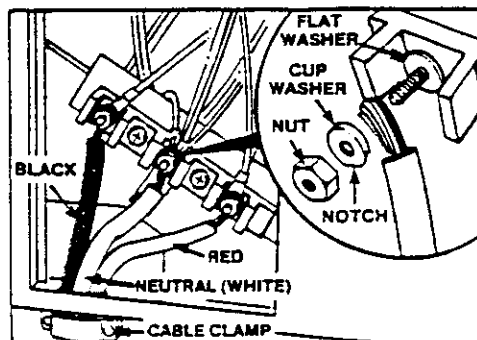
### 14. INSTALL ELECTRICAL

- NOTE: Observe all local electrical codes.
- CAUTION: Make sure power to cable is OFF.
- Locate the electric power supply in the floor or wall, any place in the shaded areas which will clear the blower.
- Direct Connect. Pull through 5' (152.4 cm) of electrical cable.
- Use three or four conductor copper stranded power cable (see front cover for proper wire size). If four conductor wire is used, see #16 for connection to range.
- See front cover for proper supply connection.



### 15. CONNECT ELECTRICAL (THREE CONDUCTOR WIRE)

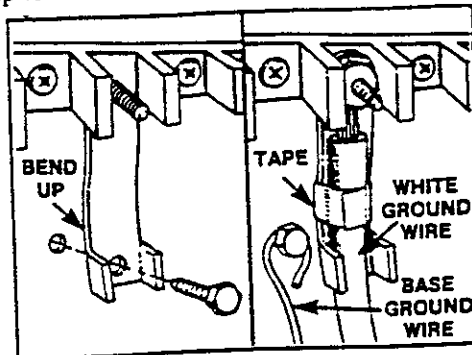
- CAUTION: Make sure power to cable is OFF.
- Remove the range electrical service cover, located on the back, lower lefthand corner.
- Install a 3/4" (1.91 cm) clamp in the hole provided below the terminal block.
- Strip 3" (7.62 cm) of outer insulation from the cable.
- Strip 1/2" (1.27 cm) of insulation from each wire.
- Pull the cable through the cable clamp. Attach the BLACK, RED, and WHITE wires (see illustration). Tighten the terminal block nuts and the cable clamp and install cover.



240 Edwards Street, SE  
 Cleveland, Tennessee 37311  
 Tel: 423-472-3333  
 Fax: 423-478-6710

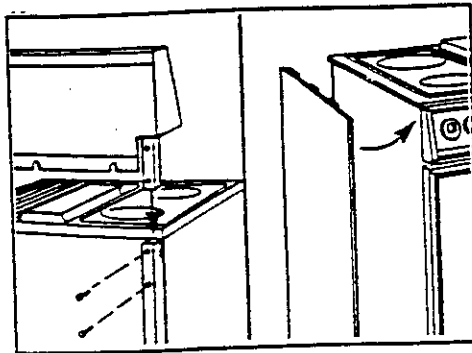
## 16. CONNECT ELECTRICAL (FOUR CONDUCTOR WIRE)

- CAUTION: Make sure power to cable is OFF.
- Remove the range electrical service cover located on the back, lower left-hand corner. Remove the ground strap screw and bend the strap up as shown.
- Install a 3/4" (1.19 cm) cable clamp in the hole provided, below the terminal block.
- Strip 3" (7.62 cm) of outer insulation from the cable.
- Strip 1/2" (1.27 cm) of insulation from each wire.
- Pull the cable through the cable clamp.
- Make a loop in the bare ground wire and attach it to the range with the screw that held the ground strap.
- Attach the BLACK, RED, and WHITE wires (see #15). Tighten the terminal block nuts and the cable clamp.
- Tape the ground strap to the WHITE wire as shown. Install electrical cover.



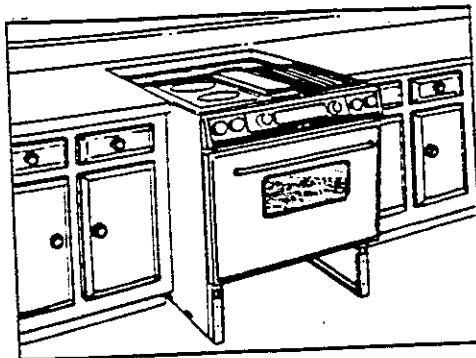
## 17. INSTALL OPTIONS

- If a backsplash or side panels are to be used, install according to instructions included with those accessories.



## 18. POSITION RANGE

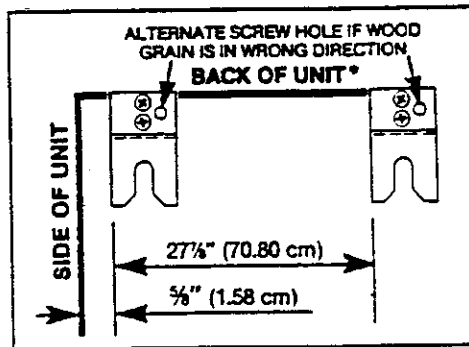
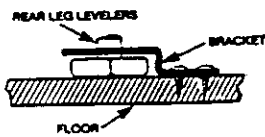
- Free-Standing: Adjust the range feet so the range and cabinet height will be approximately the same. Slide the range into place, taking care not to damage floor covering.
- Slide-In: Carefully lift and place the range on the cabinet top.



240 Edwards Street, SE  
 Cleveland, Tennessee 37311  
 Tel: 423-472-3333  
 Fax: 423-478-6710

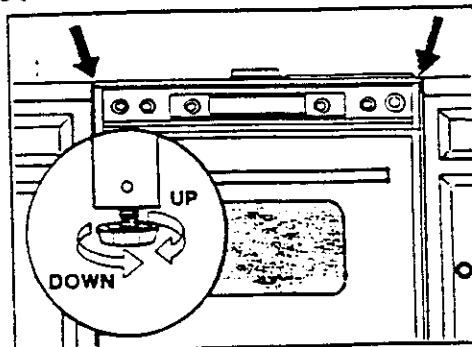
### 19. ANTI-TIP BRACKET INSTALLATION

- With the unit installed in the final location, establish left side and back of the unit.
- Locate left bracket  $5/8"$  (1.58 cm) in from the left of the unit.
- Locate the right bracket  $27 7/8"$  (70.80 cm) to the right of the left bracket.
- Locate the rear of both brackets flush to the back of the unit if a backsplash is not used.
- \* If a lighted backsplash is used, move back of brackets forward  $1/8"$  (.318 cm). If a non-lighted backsplash is used, move back of brackets forward  $1/4"$  (.635 cm).
- NOTE: Leg levelers must be screwed out 1 1/2 turns. If the floor will not accept the wood screws supplied, alternate fasteners must be supplied by the installer.



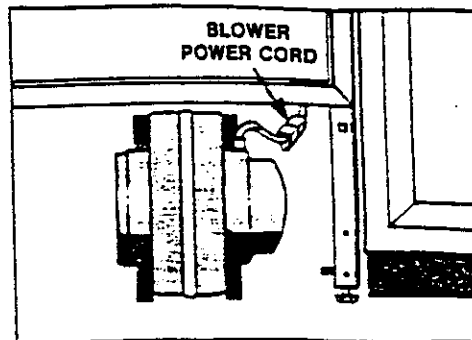
### 20. LEVEL RANGE

- Free-Standing: Adjust the leveler feet to level range with the countertop.
- Slide-In: Adjust the leveler feet to take some of the weight off of the countertop.
- Unit must be level for optimum baking performance.



### 21. CONNECT BLOWER ELECTRICAL

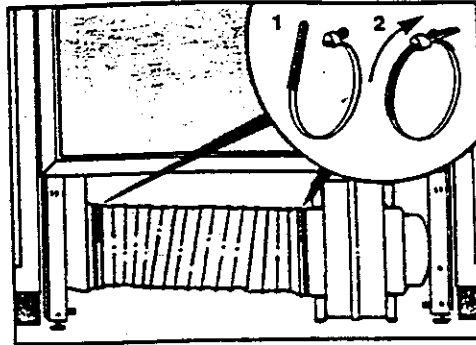
- Connect the blower power cord to the power cord on the range. (See illustration).



240 Edwards Street, SE  
 Cleveland, Tennessee 37311  
 Tel: 423-472-3333  
 Fax: 423-478-6710

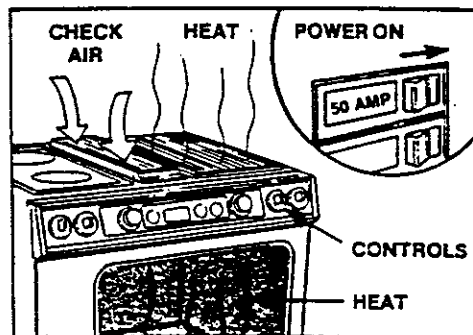
## 22. INSTALL FLEX DUCT

- Attach the flex duct to the blower and range (See illustration). Using a screwdriver, securely tighten duct clamp at each connection.



## 23. CHECK OPERATION

- Unpack and install grill element in one side and cooking cartridge in other side.
- Be sure to remove all packaging materials from unit prior to applying power.
- Switch the electrical circuit breaker to the ON position.
- Consult Owner's Manual for operation.
- Check range top elements. Fan comes on automatically when grill is turned on, cooking cartridge does not energize fan automatically.
- Check oven.
- Check vent fan.
- With vent fan on, check all vent duct connections to the outside to make sure there are no airleaks.



## 24. INSTALL LOWER DOOR

- After check for air leaks at duct connections, install the lower range door.

