

This Owner's Manual is provided and hosted by [Appliance Factory Parts](#).



Jenn Air CVEX4100 Owner's Manual

[Shop genuine replacement parts for Jenn Air
CVEX4100](#)



[Find Your Jenn Air Electric Range Parts - Select From 50 Models](#)

----- Manual continues below -----

INSTALLATION INSTRUCTIONS

Expressions Convertible Cooktop Series



403 WEST FOURTH STREET, NORTH • NEWTON, IA 50208

Models CVEX4100, CVEX4270 & CVEX4370

IMPORTANT

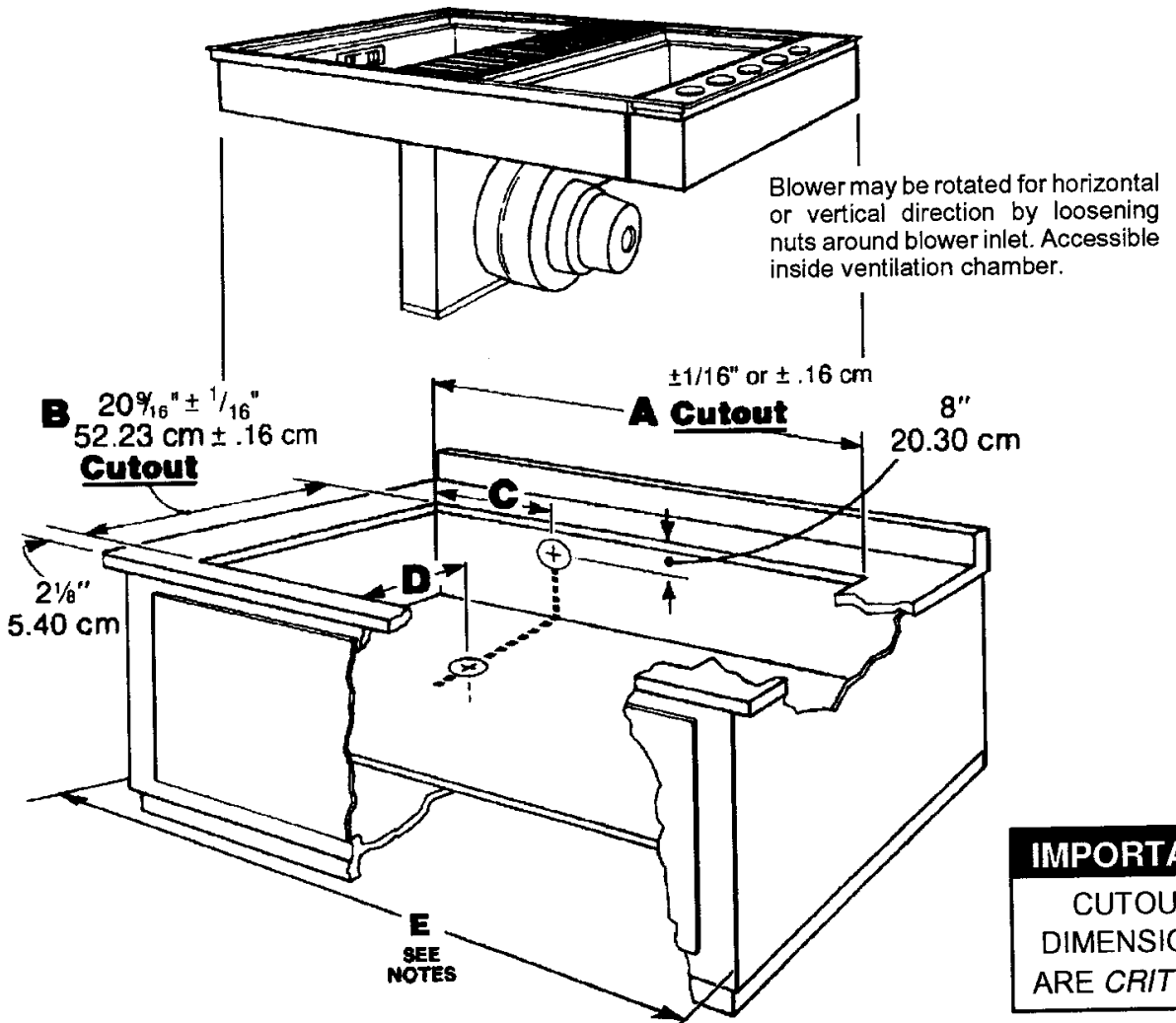
- Installation should be performed by a Jenn-Air authorized servicer or other qualified installer.
- Read Safety Precautions in the Use & Care manual before using this appliance.

INSTALLER

- Save installation instructions for local electrical inspector's use.
- Leave installation instructions with the appliance.

CONSUMER

- Retain installation instructions with the appliance.



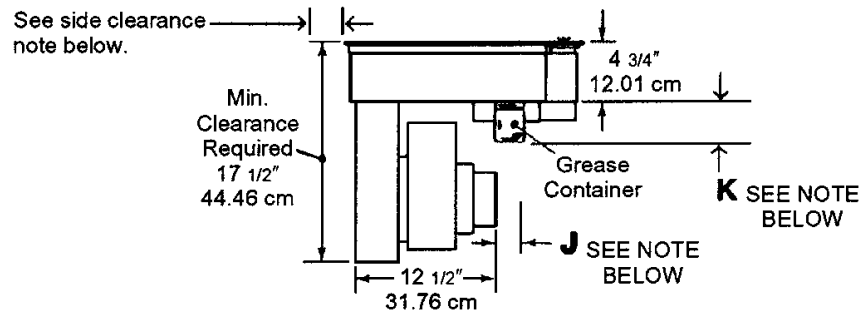
IMPORTANT

CUTOUT DIMENSIONS ARE CRITICAL

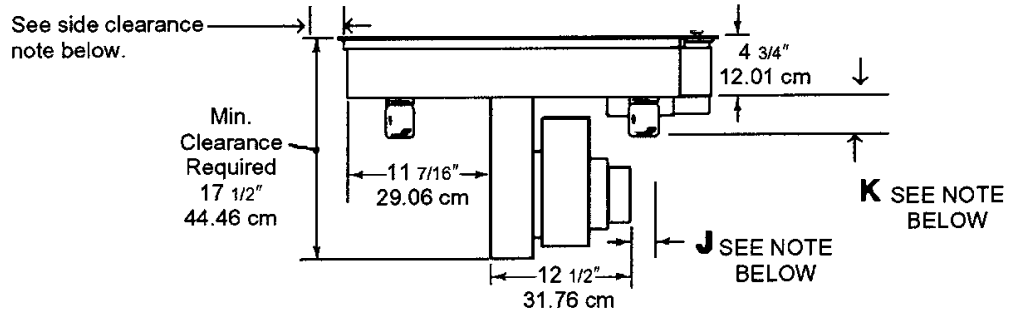
	A		B		C		D		E	
	CUTOUT WIDTH		CUTOUT DEPTH		DUCT OPENING		DUCT OPENING		MIN. CABINET WIDTH	
	inches	cm	inches	cm	inches	cm	inches	cm	inches	cm
Single Bay	18 11/16	47.48	20 9/16	52.23	6 5/16	16.03	14 7/16	36.67	21	53.34
Double Bay	30 7/16	77.34	20 9/16	52.23	17 3/4	45.08	14 7/16	36.67	33	83.82
Triple Bay	41 31/32	160.60	20 9/16	52.23	17 3/4	45.08	14 7/16	36.67	45	114.30

8101P414-60
(10-01-00)

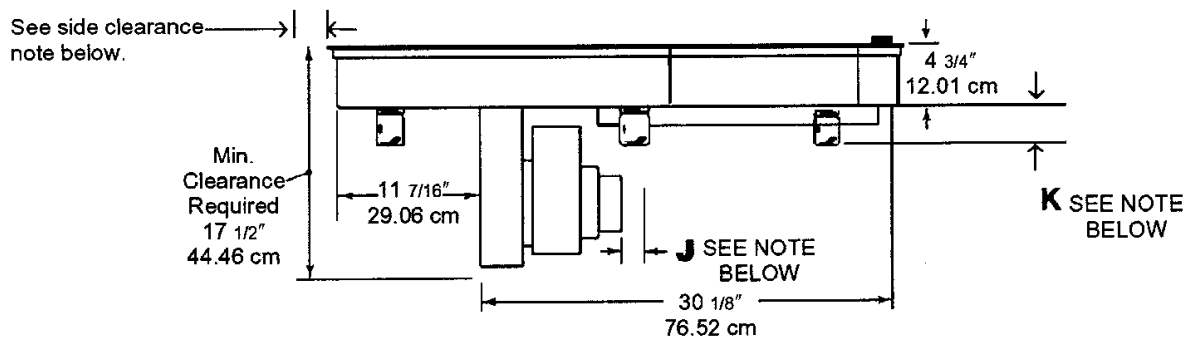
SINGLE



DOUBLE



TRIPLE



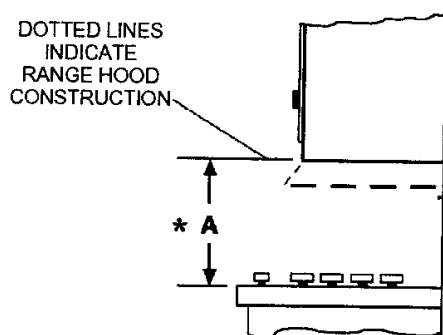
Instructions For Installer:

- Save installation instructions for local inspector's use.
- Leave installation instructions with the appliance.
- Refer to "**Installer Installation Suggestions**" on page 3 before cutting.
- Dimensions shown in both inches and centimeters.
- Consult ducting guide for proper instruction.
- **Dimensions "A" & "B"** - tolerances +/- 1/16" or +/- .16 cm.
- **Dimension "J"** - provide 2" min. (5.08 cm) cabinet clearance to motor for cooling purpose.
NOTE: Where possible, 6" (15.24 cm) is recommended for motor blower service.
- **Dimension "K"** - provide 6-1/4" (15.88 cm) required for removal of (supplied) grease container(s). Installed dimension for (supplied) grease container(s) is 5-1/2" (13.97 cm).
- **Side Clearance** - grills installed near a side wall must allow a minimum clearance of 6" (15.24 cm) between cooktop and sidewall for maximum performance. Minimum clearance of 1" (2.54 cm) is required to sidewalls and 3/4" (1.905 cm) to rear wall.
- **Electrical Hookup** - the unit must be properly circuit protected and wired according to local electrical codes. See electrical wiring information on page 3. Unit power requirements are located on the serial plate.

Installing Cabinetry Over Your Jenn-Air Grill

- A = 30" (76.2 cm) minimum clearance between the top of the cooking platform and the bottom of an unprotected wood or metal cabinet.
- A = 24" (60.96 cm) minimum when bottom of wood or metal cabinet is protected by not less than 1/4" (0.635 cm). FLAME RETARDANT millboard covered with no less than no. 28 MSG sheet steel, 0.015" (0.038 cm) stainless steel, 0.024" (0.061 cm) aluminum or copper.

* To eliminate the risk of burns or fire by reaching over heated surface units, cabinet storage space located above the surface units should be avoided. If cabinet storage is to be provided, the risk can be reduced by installing a range hood that projects horizontally a minimum of 5 inches beyond the bottom of the cabinets.



Installer Installation Suggestions

1. Chamfer all exposed edges of decorative laminate to prevent damage from chipping.
2. Radius corners of cutout and file to insure smooth edges and prevent corner cracking.
3. Rough edges, inside corners which have not been rounded and forced fits can contribute to cracking of the countertop laminate.
4. Countertop must be supported within 3" (7.62 cm) of cutout.

CAUTION

Warranty is void on Jenn-Air equipment installed other than as recommended by manufacturer. Recommended wall caps and transitions must be utilized for proper operation and installation.

Electrical Wiring Information

The neutral of this unit is grounded to the frame through the green grounding wire. If used on new branch-circuit installations (1996 NEC), mobile homes, recreational vehicles, or in an area where local codes prohibit grounding through the neutral conductor, untwist or disconnect the green wire and connect the green wire to ground in accordance with local code. Connect the white neutral to the service neutral. Connect all wires to the branch circuit with approved connectors. Use copper or aluminum wire. If aluminum wire is used, use connectors recognized for joining aluminum to copper.

Proper Electrical Supply

You must provide an adequate electrical supply system as required for your cooktop. All wire connections must be in accordance with local codes and properly insulated. Check with local utility for governing electrical codes and ordinances. In the absence of local electrical codes, the National Electrical Code, NFPA No. 70, governing electric cooktop installations must be followed. A copy of the National Electrical Code, NFPA No. 70, can be obtained by writing to:

National Fire Protection Association
 Batterymarch Park
 Quincy, Massachusetts 02269

A three-wire, single phase, A.C. 120/240 volt 60 cycle electrical system (properly circuit protected to meet Local Codes of NFPA No. 70) must be provided. Unit must be properly grounded in accordance with local wiring code. The chart below recommends the minimum circuit protector and wire size if the appliance is the only unit on the circuit. If smaller sizes of wire are used, the unit efficiency will be reduced and a fire hazard may be created. It is advisable that the electrical wiring and hookup be accomplished by a competent electrician.

K.W. RATING ON SERIAL PLATE	RECOMMENDED MINIMUM	
	CIRCUIT PROTECTION IN AMPERS	WIRE SIZE (AWG)
0 - 4.9	20	12
5.0 - 6.9	30	10
7.0 - 9.9	40	8
10.0 - 11.9	50	8
12.0 - 14.9	60	6

Preparing Unit For Assembly In Countertop

1. Unpack Unit.
2. Provide cutout for countertop and duct openings as required per page 1.
3. Place unit in the cutout, and slide unit all the way to the left hand side of cutout. (Figure 1).
4. **HOLDING DOWN UNIT TO COUNTERTOP:** Use the hold down straps, provided in the hardware package, to secure unit to the countertop. These straps may be positioned on the left, front, and back sides of the unit. (See figure 1A). To install, pre-thread the bolt into the strap about 2 inches. With the unit positioned in the cutout as desired, reach through the cabinet door opening and push up along the wall of the burner box flange. If it doesn't hook, pull strap down, move it left or right about an inch and push up again. Once strap is hooked, thread bolt into strap until it meets resistance against bottom of countertop. Then tighten slowly until unit top bottoms against countertop.
5. Connect outlet of blower housing to vent duct. Loosen cap nuts inside plenum to rotate blower housing to desired position.
6. Remove attachment screw and cover from junction box. Connect BX Cable power supply to knockout in side of box. Make wire connections, push wires into box. Re-attach cover. Consult local codes for proper power hookup. (Figure 2).
7. Test to insure electronic surface control operates all elements properly.

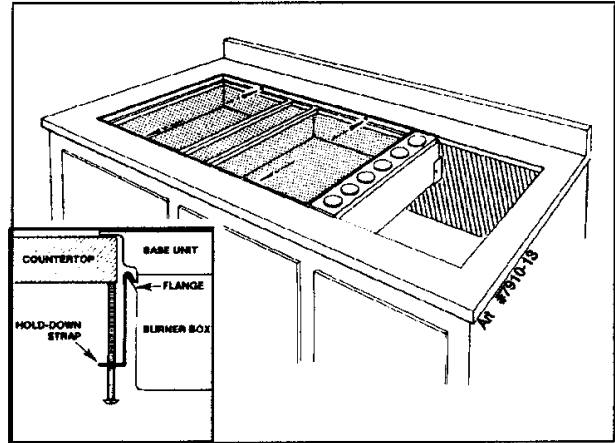


FIGURE 1A

FIGURE 1

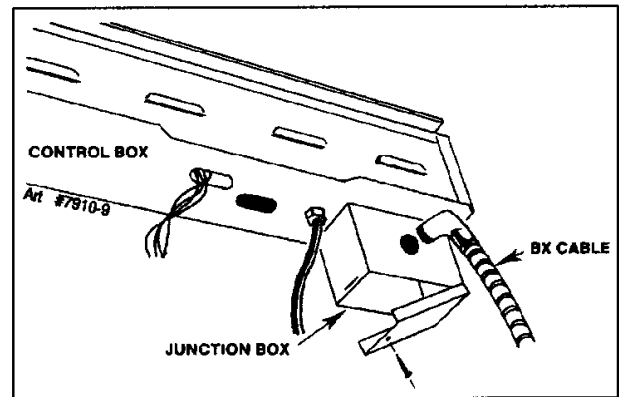
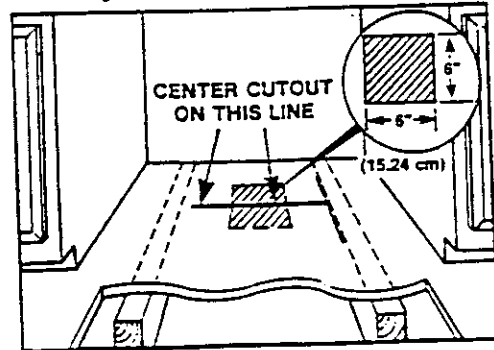


FIGURE 2

240 Edwards Street, SE
 Cleveland, Tennessee 37311
 Tel: 423-472-3333
 Fax: 423-478-6710

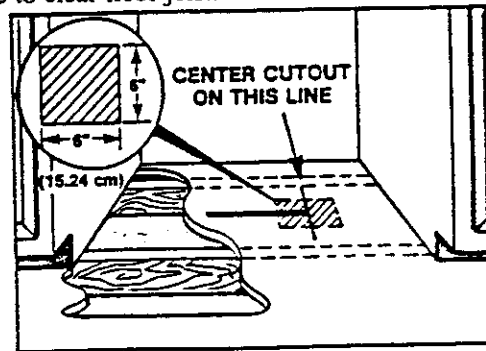
10. FLOOR VENT CUTOUT (JOISTS AS SHOWN)

- Check the direction of the floor joists (see illustration). If the joists' direction is as shown, locate the cutout on the "T" as illustrated. *The cutout must miss the floor joists!*
- Cutout may be moved from side to side on line to clear floor joist.
- Recheck your dimensions and make the cutout.



11. FLOOR VENT CUTOUT (JOISTS AS SHOWN)

- Check the direction of the floor joists (see illustration). If the joists' direction is as shown, locate the cutout on the "T" as illustrated. *The cutout must miss the floor joists!*
- Cutout may be moved from front to back on line to clear floor joist.
- Recheck your dimensions and make the cutout.

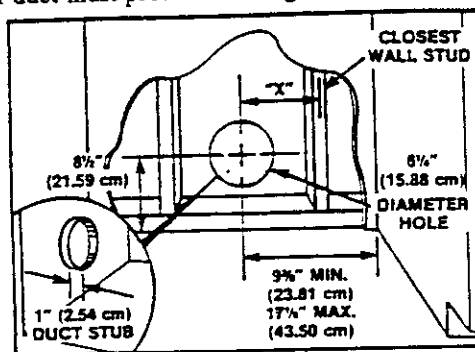


12. WALL VENT CUTOUT

- Locate the vertical studs in the rear wall. Studs are usually 16" (40.64 cm) center to center.
- Will the vent duct be 6" (15.24 cm) round through the wall or 3 1/4" x 10" (8.26 cm x 25.4 cm) rectangle, vertically inside the wall?
- See Ducting Instructions for rear duct inside the wall. NOTE: Cutout in wall must clear 3 1/4" x 10" (8.26 cm x 25.4 cm) transition elbow.
- Locate the closest stud to your proposed vent hole location. Use the following chart to figure the "X" dimension. See the illustration for the other dimensions.

VERTICAL DUCT INSIDE WALL		
	6" Round (15.24 cm)	3 1/4" x 10" (8.26 cm x 25.4 cm)
"X" MINIMUM	4" (10.16 cm)	6" (15.24 cm)

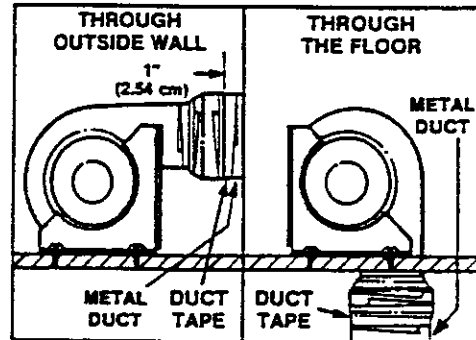
- A 1" (2.54 cm) length of duct must protrude through the wall for connection to the Blower.



240 Edwards Street, SE
 Cleveland, Tennessee 37311
 Tel: 423-472-3333
 Fax: 423-478-5710

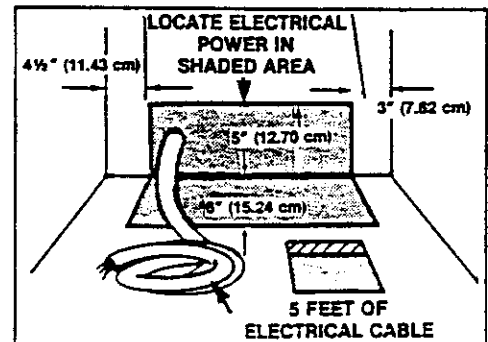
13. INSTALL BLOWER (PRIOR TO INSTALLING RANGE)

- Refer to your vent plan. It may be desirable to attach part of the ducting to the blower before it is installed.
- Position the blower (see illustration) and attach it to the floor with at least two (2) screws.
- Apply duct tape around blower exhaust/duct joint.



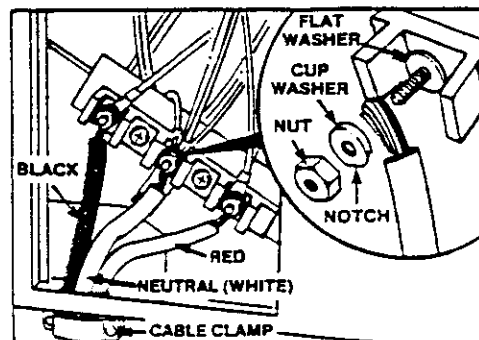
14. INSTALL ELECTRICAL

- NOTE: Observe all local electrical codes.
- CAUTION: Make sure power to cable is OFF.
- Locate the electric power supply in the floor or wall, any place in the shaded areas which will clear the blower.
- Direct Connect. Pull through 5' (152.4 cm) of electrical cable.
- Use three or four conductor copper stranded power cable (see front cover for proper wire size). If four conductor wire is used, see #16 for connection to range.
- See front cover for proper supply connection.



15. CONNECT ELECTRICAL (THREE CONDUCTOR WIRE)

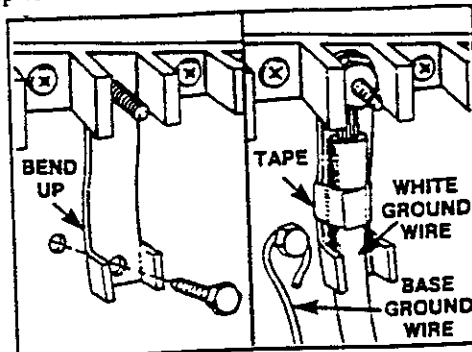
- CAUTION: Make sure power to cable is OFF.
- Remove the range electrical service cover, located on the back, lower lefthand corner.
- Install a 3/4" (1.91 cm) clamp in the hole provided below the terminal block.
- Strip 3" (7.62 cm) of outer insulation from the cable.
- Strip 1/2" (1.27 cm) of insulation from each wire.
- Pull the cable through the cable clamp. Attach the BLACK, RED, and WHITE wires (see illustration). Tighten the terminal block nuts and the cable clamp and install cover.



240 Edwards Street, SE
 Cleveland, Tennessee 37311
 Tel: 423-472-3333
 Fax: 423-478-6710

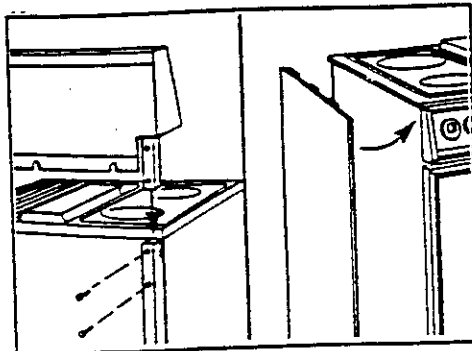
16. CONNECT ELECTRICAL (FOUR CONDUCTOR WIRE)

- CAUTION: Make sure power to cable is OFF.
- Remove the range electrical service cover located on the back, lower left-hand corner. Remove the ground strap screw and bend the strap up as shown.
- Install a 3/4" (1.19 cm) cable clamp in the hole provided, below the terminal block.
- Strip 3" (7.62 cm) of outer insulation from the cable.
- Strip 1/2" (1.27 cm) of insulation from each wire.
- Pull the cable through the cable clamp.
- Make a loop in the bare ground wire and attach it to the range with the screw that held the ground strap.
- Attach the BLACK, RED, and WHITE wires (see #15). Tighten the terminal block nuts and the cable clamp.
- Tape the ground strap to the WHITE wire as shown. Install electrical cover.



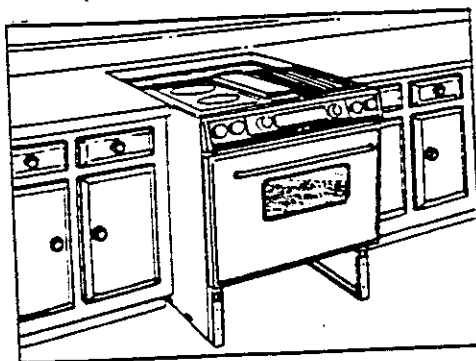
17. INSTALL OPTIONS

- If a backsplash or side panels are to be used, install according to instructions included with those accessories.



18. POSITION RANGE

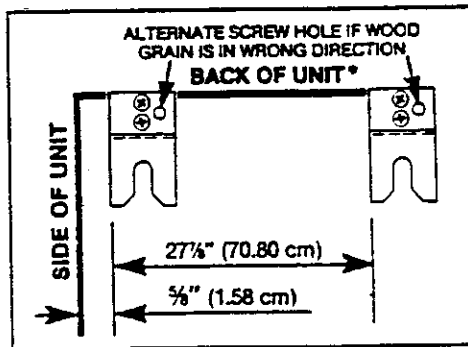
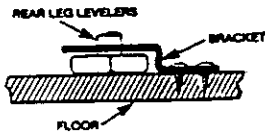
- Free-Standing: Adjust the range feet so the range and cabinet height will be approximately the same. Slide the range into place, taking care not to damage floor covering.
- Slide-In: Carefully lift and place the range on the cabinet top.



240 Edwards Street, SE
 Cleveland, Tennessee 37311
 Tel: 423-472-3333
 Fax: 423-478-6710

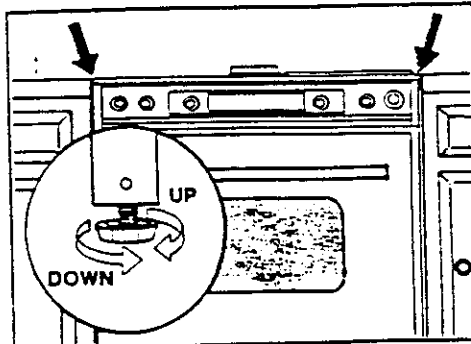
19. ANTI-TIP BRACKET INSTALLATION

- With the unit installed in the final location, establish left side and back of the unit.
- Locate left bracket $5/8"$ (1.58 cm) in from the left of the unit.
- Locate the right bracket $27 7/8"$ (70.80 cm) to the right of the left bracket.
- Locate the rear of both brackets flush to the back of the unit if a backsplash is not used.
- * If a lighted backsplash is used, move back of brackets forward $1/8"$ (.318 cm). If a non-lighted backsplash is used, move back of brackets forward $1/4"$ (.635 cm).
- NOTE: Leg levelers must be screwed out 1 1/2 turns. If the floor will not accept the wood screws supplied, alternate fasteners must be supplied by the installer.



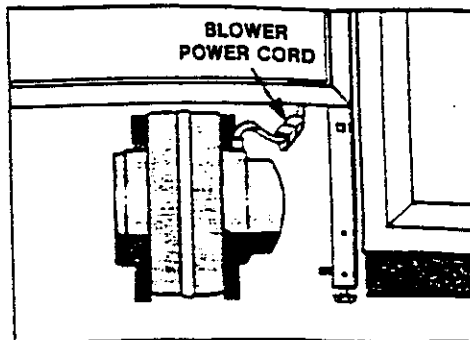
20. LEVEL RANGE

- Free-Standing: Adjust the leveler feet to level range with the countertop.
- Slide-In: Adjust the leveler feet to take some of the weight off of the countertop.
- Unit must be level for optimum baking performance.



21. CONNECT BLOWER ELECTRICAL

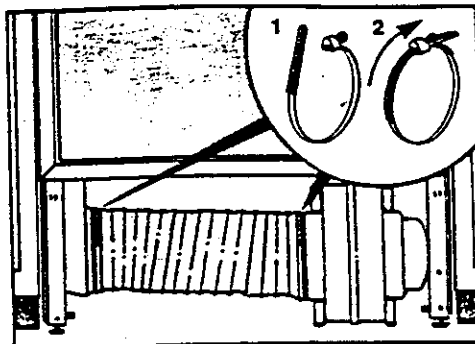
- Connect the blower power cord to the power cord on the range. (See illustration).



240 Edwards Street, SE
 Cleveland, Tennessee 37311
 Tel: 423-472-3333
 Fax: 423-478-6710

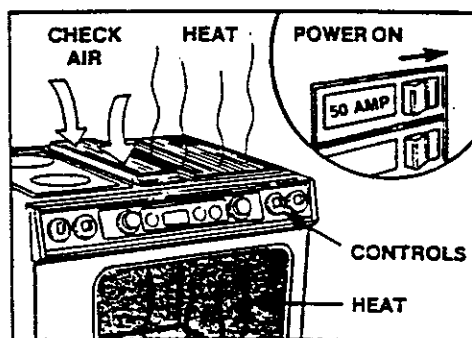
22. INSTALL FLEX DUCT

- Attach the flex duct to the blower and range (See illustration). Using a screwdriver, securely tighten duct clamp at each connection.



23. CHECK OPERATION

- Unpack and install grill element in one side and cooking cartridge in other side.
- Be sure to remove all packaging materials from unit prior to applying power.
- Switch the electrical circuit breaker to the ON position.
- Consult Owner's Manual for operation.
- Check range top elements. Fan comes on automatically when grill is turned on, cooking cartridge does not energize fan automatically.
- Check oven.
- Check vent fan.
- With vent fan on, check all vent duct connections to the outside to make sure there are no airleaks.



24. INSTALL LOWER DOOR

- After check for air leaks at duct connections, install the lower range door.

