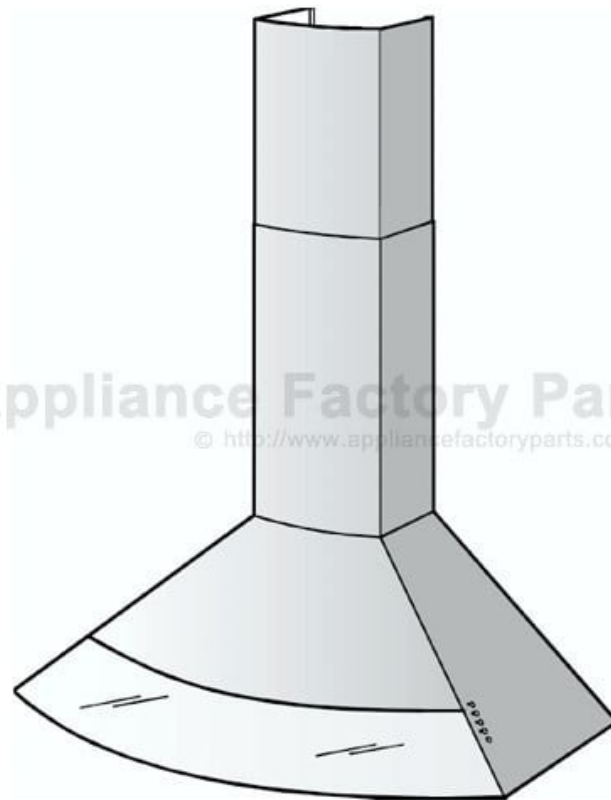


This Owner's Manual is provided and hosted by [Appliance Factory Parts](#).



BROAN RM659004 Owner's Manual

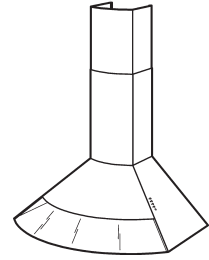
[Shop genuine replacement parts for BROAN RM659004](#)



[Find Your BROAN HVAC Parts - Select From 1309 Models](#)

----- Manual continues below -----

RM65000 SERIES (RANGEMASTER®) by Broan-NuTone RANGE HOOD



A wall-mounted chimney hood with a hand-drafted design that blends curved and angular surfaces to form a stunning union of stainless steel and glass.

FEATURES

- Professional style design
- 202 Stainless Steel construction
- Wall mount installation
- Seamless corners for easy cleaning
- Ducted telescopic flue - fits 8 ft. to 9 ft. ceilings
- 6" round duct connector/backdraft damper
- 450 cfm centrifugal blower
- Advanced multi-speed electronic push-button control with 10-minute delay shut-off
- Two-level halogen lighting and a low nighttime setting (2 x 20 Watt, Type MR16 - bulbs included)
- Dishwasher-safe aluminum filter features a quick-release latch and professional style appearance
- Time to clean filter indicator
- Available sizes: 35-7/16" (90cm)
- Heat Sentry™ - automatically turns blower to high speed when excess cooking heat is detected

OPTIONS

- Replacement grease filters available
- Flue Extension for 10 ft. ceiling (Model RFX6504) (32¼" Long)

SPECIFICATIONS

VOLTS	AMPS	CFM	SONES	DUCT
120	3.13	450	9.0	6" round



TYPICAL SPECIFICATION

Range hood shall be Broan Model RM65000.

Motor to be permanently lubricated.

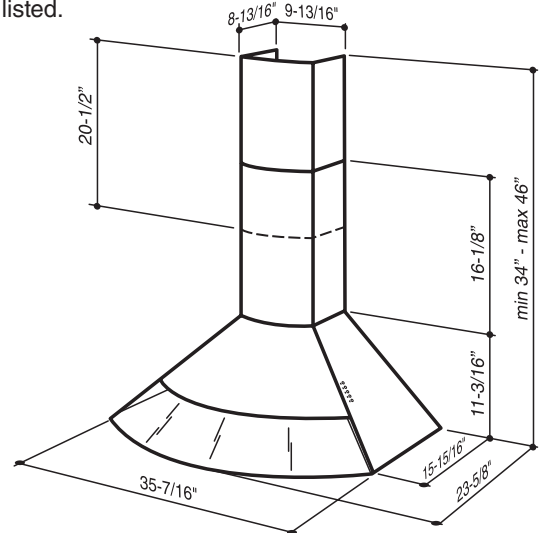
Unit shall have four-speed fan switch with delay shut-off and separate light switch.

Unit shall have a flashing control light to indicate when it's time to clean the washable aluminum filter.

Sides shall be mitered and bottom edge hemmed - with no sharp edges.

Air delivery shall be no less than 450 CFM.

Unit shall be U.L. and cUL listed.

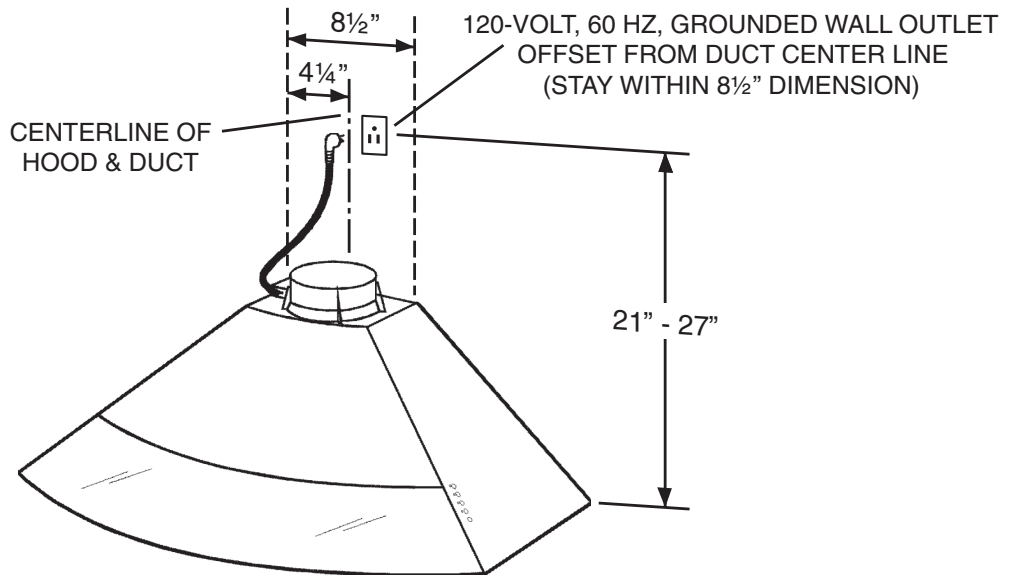


HVI-2100 CERTIFIED RATINGS comply with new testing technologies and procedures prescribed by the Home Ventilating Institute, for off-the-shelf products, as they are available to consumers. Product performance is rated at 0.1 in. static pressure, based on tests conducted in a state-of-the-art test laboratory. Sones are a measure of humanly-perceived loudness, based on laboratory measurements.

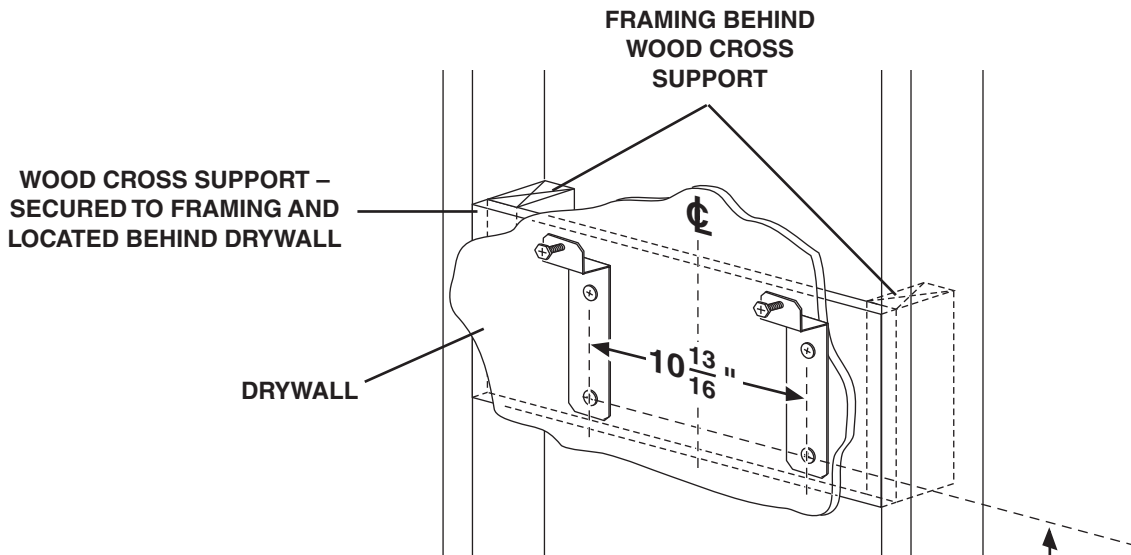
Broan-NuTone LLC Hartford, Wisconsin www.broan.com 800-558-1711
Broan-NuTone Canada Mississauga, Ontario www.broan.ca 877-896-1119

REFERENCE	QTY.	REMARKS	Project
			Location
			Architect
			Engineer
			Contractor
			Submitted by Date

RM65000 SERIES WIRING



RM65000 SERIES MOUNTING



CEILING HEIGHT	HOOD DISTANCE ABOVE 36" HIGH COOKTOP (SEE NOTE)						
	24"	25"	26"	27"	28"	29"	30"
	MOUNTING BRACKET LOCATION ABOVE 36" HIGH COOKTOP						
8 FEET	27-5/8"	28-5/8"	29-5/8"				
9 FEET			29-5/8"	30-5/8"	31-5/8"	32-5/8"	33-5/8"
10 FEET			29-5/8"	30-5/8"	31-5/8"	32-5/8"	33-5/8"

MOUNTING BRACKET LOCATION (ABOVE 36" HIGH COOKTOP)

NOTE: Minimum hood distance above cooktop must not be less than 24".

A maximum of 30" above the cooktop is highly recommended for best capture of cooking impurities.

Distances over 30" above the cooktop are at the installer's and user's discretion - providing that ceiling height and flue length permit.

BROAN *Elite*

(RANGEMASTER)
by Broan-NuTone

Broan-NuTone LLC Hartford, Wisconsin www.broan.com 800-558-1711
Broan-NuTone Canada Mississauga, Ontario www.broan.ca 877-896-1119