

This Owner's Manual is provided and hosted by [Appliance Factory Parts](#).



BROAN RM533004 Owner's Manual

[Shop genuine replacement parts for BROAN RM533004](#)

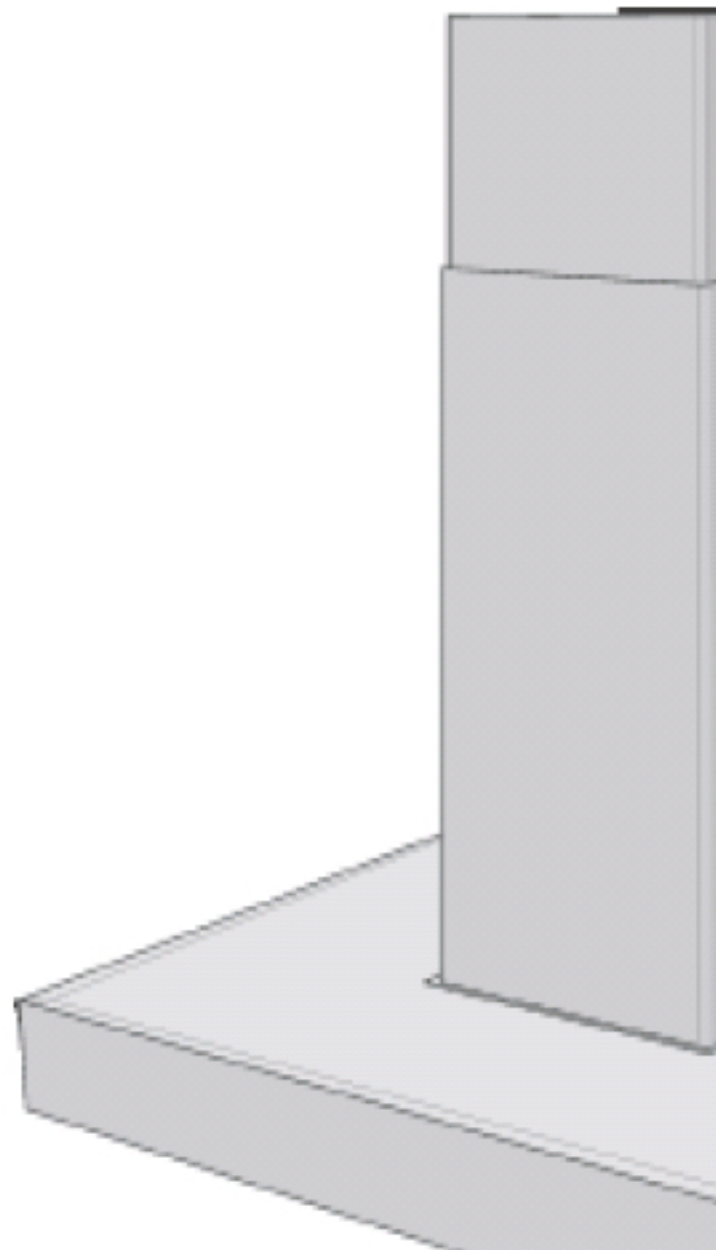


[Find Your BROAN HVAC Parts - Select From 1309 Models](#)

----- Manual continues below -----

MASTER[®]
by Broan-NuTone

RM5
S



 **INTENDED FOR DOMESTIC**

  **WARNING**

***TO REDUCE THE RISK OF FIRE, ELECTRIC SHOCK, OR
PROPERTY DAMAGE, OBSERVE THE FOLLOWING:***

1. Use this unit only in the manner intended by the manufacturer. If you have any questions, contact the manufacturer at the address listed in the warranty.
2. Before servicing or cleaning unit, switch power off at the service panel to prevent power from being supplied to the unit. The service disconnecting means cannot be locked. Use a permanent warning device, such as a tag, to the service disconnecting means.
3. Installation work and electrical wiring must be done in accordance with all applicable codes and standards, including local building codes and standards.
4. Sufficient air is needed for proper combustion and venting through the flue (chimney) of fuel burning equipment. Follow the heating equipment manufacturer's guidelines for clearances, as those published by the National Fire Protection Association (NFPA), the American Society for Heating, Refrigeration and Air Conditioning Engineers (ASHRAE), and the local code authority having jurisdiction.

WARNING

TO REDUCE THE RISK OF INJURY TO PERSONS IN THE EVENT OF A GREASE FIRE, OBSERVE THE FOLLOWING:*

1. **SMOTHER FLAMES** with a close-fitting lid, cover the burner, and turn off the burner. **BE CAREFUL TO PREVENT BURNS**. If the fire goes out immediately, **EVACUATE AND CALL THE FIRE DEPARTMENT**.
2. **NEVER PICK UP A FLAMING PAN** - You may be injured.
3. **DO NOT USE WATER**, including wet dishcloths. An explosion will result.
4. Use an extinguisher **ONLY** if:
 - A. You know you have a Class ABC extinguisher and know how to use it.
 - B. The fire is small and contained in the area where you are.
 - C. The fire department is being called.
 - D. You can fight the fire with your back to an exit.

* Based on "Kitchen Fire Safety Tips" published by the National Fire Protection Association.

CAUTION

1. To reduce risk of fire and to properly exhaust air, do not vent exhaust air into spaces within walls, attics, or garages.
2. Take care when using cleaning agents or detergents.

OPERATION

Controls

The hood is operated using the slide controls under the bottom of the hood.

The **light switch** turns the lamps on and off.

The **blower switch** turns the blower on and off and has three speed settings:

0 - OFF

1 - LOW SPEED

2 - MEDIUM SPEED

3 - HIGH SPEED

The **pilot lamp** lights up whenever the blower is on.

HEAT SENTRY™

Your hood is equipped with a HEAT SENTRY™ device that will turn on or speed up the blower when the cooking surface is hot.

1. If blower is OFF - it turns blower ON to LOW SPEED.
2. If blower is ON at a lower speed setting - it speeds up the blower to the next higher speed setting.

When the temperature level drops to normal, the blower returns to its original setting.

FUSE REPLACEMENT

IF LIGHTS FAIL TO OPERATE, DISCONNECT POWER AT THE SERVICE ENTRANCE. CHECK THE FUSE AND REPLACE IF NECESSARY.

1. Raise or remove the lower decorative flange.
2. Remove the cover from the fuse box.
3. Unscrew the cap from the fuse holder and remove the fuse.
4. Replace the fuse with the same size and amperage (5 x 20mm, 4 amp, 125 volt).

**Do not use fuses greater than 4 amp.
Fuses greater than 4 amps may damage the transformer.**

5. Reinstall the fuse holder cap, fuse cover and flange.
6. Reconnect power at the service entrance.

MAINTENANCE, CONT'D

Hood Cleaning

Stainless steel is one of the easiest materials to help preserve its fine appearance.

Cleaning tips:

1. Hot water with soap or detergent is all that is
2. Follow all cleaning by rinsing with clear water. to avoid water marks.
3. For discolorations or deposits that persist, use cleanser or stainless steel polishing powder w
4. For stubborn cases, use a plastic scouring pad with cleanser and water. Rub lightly in direction the stainless finish. Avoid using too much pressure on face.
5. **DO NOT** allow deposits to remain for long periods
6. **DO NOT** use ordinary steel wool or steel brushes that adhere to the surface causing rust

PREPARE THE HOOD

Unpack hood and check contents.

You should receive:

1 - Hood

1 - Decorative Flue Assembly

1 - Parts Bag :

1 - Mounting Bracket

1 - Discharge Collar

1 - Flue Mounting Bracket

8 - Mounting Screws (4.8 x 38mm)

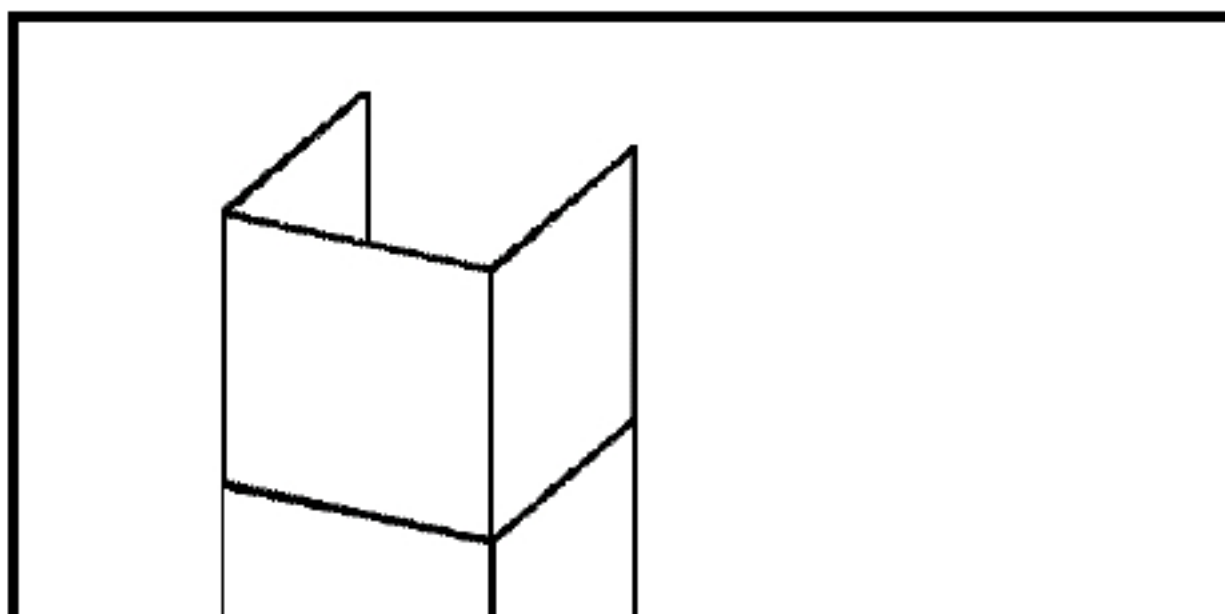
7 - Mounting Screws (3.9 x 9.5mm)

2 - Bracket Screws (3.9 x 6 mm)

8 - Drywall Anchors

1 - Installation Instructions

1 - Warranty Card



INSTALL THE DUCTWORK

(DUCTED HOODS ONLY)

 CAUTION: To reduce the risk of fire, use only metal ductwork.

1. Decide where the ductwork will run between the hood and the outside.
2. A straight, short duct run will allow the hood to perform most efficiently.
3. Long duct runs, elbows, and transitions reduce the performance of the hood. Use as few of them as possible. Larger ducting may be required for best performance with long duct runs.
4. Install a roof or wall cap. Connect round metal ductwork to cap and work back towards hood location. Use duct tape to seal the joints between ductwork sections.

INSTALL MOUNTING BRACKET

(DUCTED AND NON-DUCTED HOODS)

1. Construct wood wall **framing** that is flush with interior surface of wall studs.

Make sure:

- a) the framing is centered over installation location.
- b) the height of the framing will allow **mounting bracket** to be secured to the framing within the dimensions shown.

2. **After wall surface is finished**, secure mounting bracket to framing using dimensions shown.

CEILING HEIGHT	HOOD DISTANCE ABOVE 3			
	24"	25"	26"	
	MOUNTING BRACKET LOCATION			
8 FEET	37"	38"	39"	
9 FEET		38"	39"	

PREPARE THE HOOD

NOTE: On stainless steel hoods, carefully remove the plastic protective film from exterior surfaces of the hood, decorative flues, and filter frames prior to final installation.

(DUCTED HOODS ONLY)

1. Install the discharge collar into the connector of the range hood.
2. Attach an adequate length of 6" round ducting to the range hood duct connector.
3. Duct tape all joints to make them secure and air tight.
4. Secure the electrical system plate to the range hood with (2) mounting screws.
5. Carefully place the lower decorative panel into the recessed area of the range hood top.
6. Carefully slide the upper decorative panel down inside the lower flue.

Note: On 8-foot ceilings the air vents on the upper flue are concealed by installing the panel with air vents down.


Note: On 9-foot ceilings the air vents on

PREPARE THE HOOD

(NON-DUCTED HOODS ONLY)

Note: The following materials must be purchased for recirculation installations.

Non - Ducted Recirculation Kit, Motor
5" diameter expandable / flexible duct
1/16" diameter twist drill.

 **CAUTION:** Do not use plastic or rigid

1. Determine the length of the compressed air line using the following formula:

34" **MINUS** Distance above cook top. See Page 9, height restrictions table. **PLUS**

Worksheet: 34" - _____ + _____

2. Discard the discharge collar/dampener supplied with the hood. Install the 5"

PREPARE THE HOOD (CONT)

(NON-DUCTED HOODS ONLY)

8. Carefully slide the upper decorative flue down inside the lower flue.
9. Carefully place the decorative flues into recessed area of the range hood top.

Note: Air vents must be up.

ROOMS WITH 10-FOOT CEILINGS

Rooms with 10-Foot ceilings require extension model RFXN5304, available from your local dealer.

10. Discard upper flue supplied with product. Replace with flue extension RFXN5304.
11. Secure the recirculation plenum to the upper flue with (4) flat head screws.

MOU
SCR
(4.8

INSTALL FILTERS

(DUCTED AND NON-DUCTED HOODS)

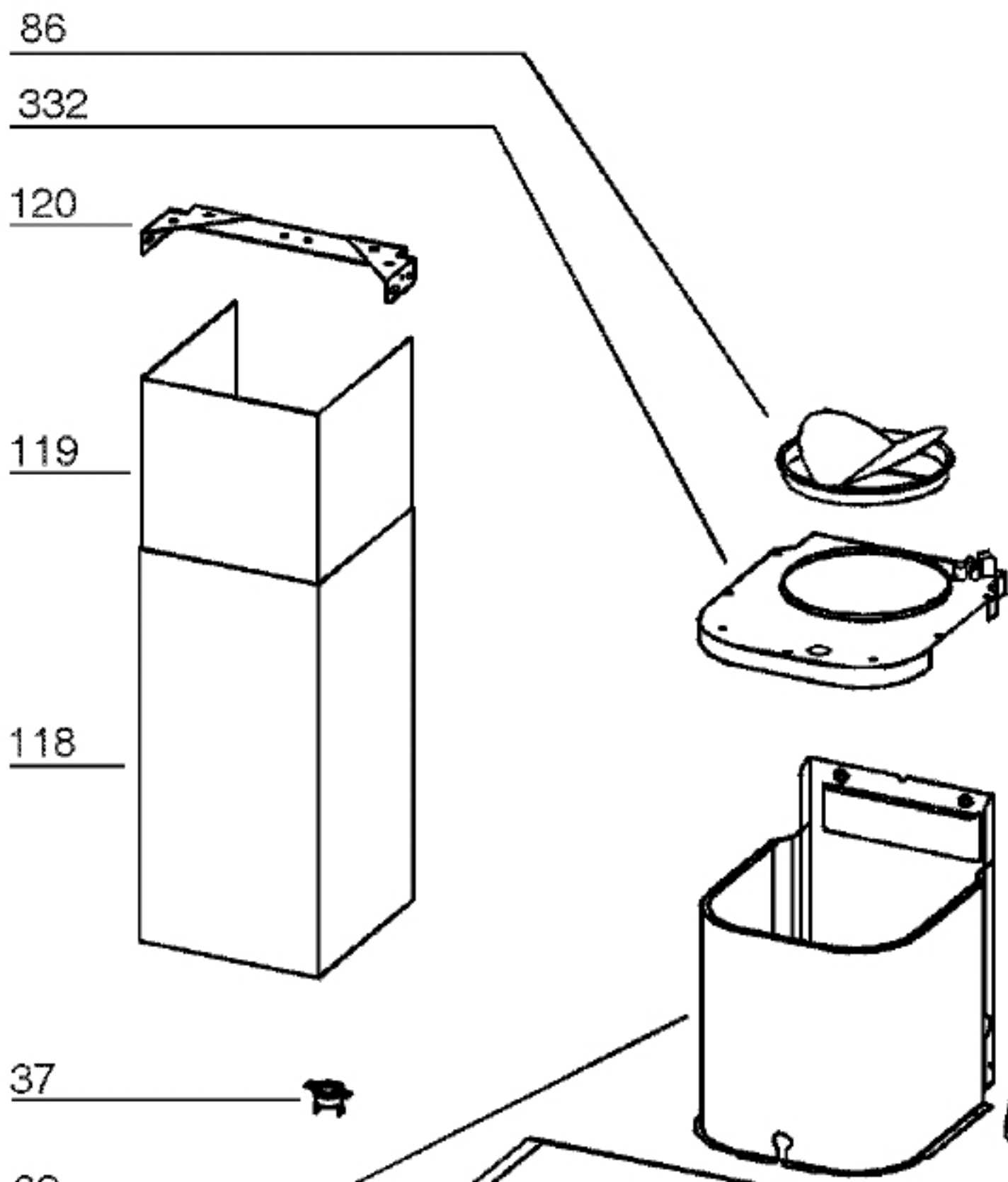
1. To remove the GREASE filter, push in on the metal latch tab. This will disengage the filter from the hood. Tilt the filter downward and remove.
2. To install the GREASE filter, align rear filter tabs with slots in the hood. Push in the metal latch tab, push filter into position and release. Make sure the filter is securely engaged after assembly.

(NON-DUCTED HOODS ONLY)

1. To remove the CHARCOAL filter, push in on the front filter latch. Pull the filter down to disengage the rear filter tabs.
2. To install the CHARCOAL filter, align the rear filter tabs with slots in the hood. Push the filter up into place until the front latch snaps securely into the slot. Make sure the filter is securely engaged after assembly.
3. Install GREASE filter after charcoal filter is installed.

SERVICE PARTS

MODEL RM53000



SERVICE PARTS

MODEL RM53000

KEY NO.	PART NO.	
9	B08087294	G
14	B02300233	M
16	BE3346354	EI
19	B03295005	Te
26	B02300891	Ha
37	B02300787	He
45	BW0000019	BI
48	B02310203	M
49	B03295076	BI
53	B03202007	R
60	B02300249	Fe
62	B08091462	BI
64	BE3347000	Fi
86	B08088378	Di
113	B03202433	Na
118	BE3347192	De
119	BE3347193	De
120	B08091367	FI
145	B032920170	Fe
146	B032920180	Fe
147	BR2300132	Co
151	B023002000	Ju