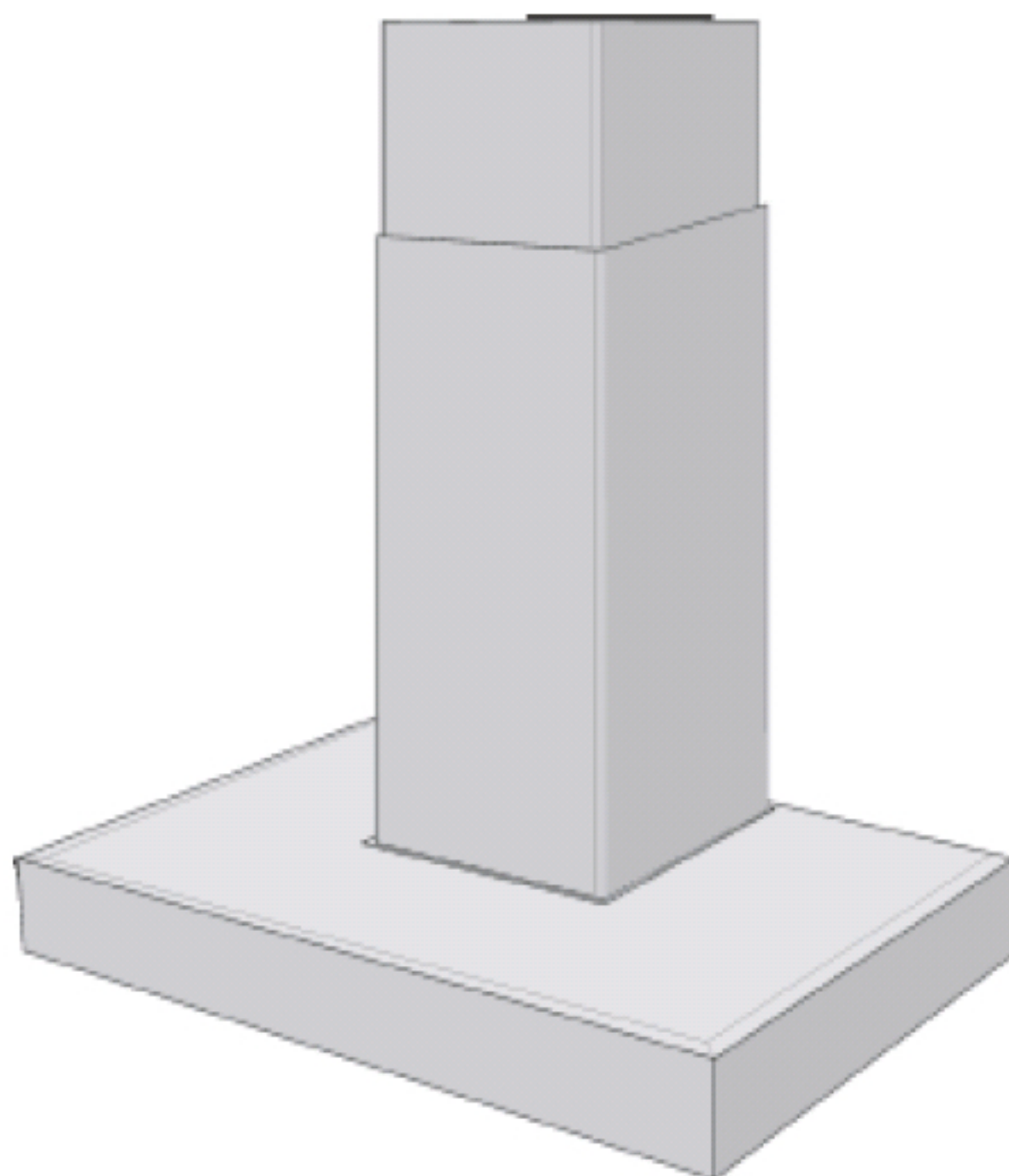


RANGEMASTER[®]
by Broan - NuTone

RM53000 Series



ENGLISH	2
FRANÇAIS	16
ESPAÑOL	30

Broan-NuTone LLC. 926 West State Street, Hartford, WI 53027

NuTone, Inc. 4820 Red Bank Road, Cincinnati, OH 45227

Broan-NuTone Canada, Inc. 1140 Tristar Drive, Mississauga, Ontario, L5T 1H9

99043478A

READ AND SAVE THESE INSTRUCTIONS

⚠ INTENDED FOR DOMESTIC COOKING ONLY ⚠

⚡ ⚠ WARNING

TO REDUCE THE RISK OF FIRE, ELECTRIC SHOCK, OR INJURY TO PERSONS, OBSERVE THE FOLLOWING:

1. Use this unit only in the manner intended by the manufacturer. If you have questions, contact the manufacturer at the address or telephone number listed in the warranty.
2. Before servicing or cleaning unit, switch power off at service panel and lock service panel to prevent power from being switched on accidentally. When the service disconnecting means cannot be locked, securely fasten a prominent warning device, such as a tag, to the service panel.
3. Installation work and electrical wiring must be done by a qualified person(s) in accordance with all applicable codes and standards, including fire-rated construction codes and standards.
4. Sufficient air is needed for proper combustion and exhausting of gases through the flue (chimney) of fuel burning equipment to prevent backdrafting. Follow the heating equipment manufacturer's guidelines and safety standards such as those published by the National Fire Protection Association (NFPA), and the American Society for Heating, Refrigeration and Air Conditioning Engineers (ASHRAE), and the local code authorities.
5. When cutting or drilling into wall or ceiling, do not damage electrical wiring and other hidden utilities.
6. Ducted fans must always be vented to the outdoors.
7. Do not use this unit with any separate solid-state speed control device.
8. To reduce the risk of fire, use only metal ductwork.
9. This unit must be grounded.

TO REDUCE THE RISK OF A RANGE TOP GREASE FIRE:

- A. Never leave surface units unattended at high settings. Boilovers cause smoking and greasy spillovers that may ignite. Heat oils slowly on low or medium settings.
- B. Always turn hood ON when cooking at high heat or when flambing food (i.e. Crepes Suzette, Cherries Jubilee, Peppercorn Beef Flambé).
- C. Clean ventilating fans frequently. Grease should not be allowed to accumulate on fan or filter.
- D. Use proper pan size. Always use cookware appropriate for the size of the surface element.

WARNING

TO REDUCE THE RISK OF INJURY TO PERSONS IN THE EVENT OF A RANGE TOP GREASE FIRE, OBSERVE THE FOLLOWING:*

1. SMOTHER FLAMES with a close-fitting lid, cookie sheet, or metal tray, then turn off the burner. BE CAREFUL TO PREVENT BURNS. If the flames do not go out immediately, EVACUATE AND CALL THE FIRE DEPARTMENT.
2. NEVER PICK UP A FLAMING PAN - You may be burned.
3. DO NOT USE WATER, including wet dishcloths or towels - violent steam explosion will result.
4. Use an extinguisher ONLY if:
 - A. You know you have a Class ABC extinguisher and you already know how to operate it.
 - B. The fire is small and contained in the area where it started.
 - C. The fire department is being called.
 - D. You can fight the fire with your back to an exit.

* Based on "Kitchen Fire Safety Tips" published by NFPA.

CAUTION

1. To reduce risk of fire and to properly exhaust air, be sure to duct air outside. Do not vent exhaust air into spaces within walls or ceilings or into attics, crawl spaces, or garages.
2. Take care when using cleaning agents or detergents.
3. Avoid using food products that produce flames under the Range Hood.
4. For general ventilating use only. Do not use to exhaust hazardous or explosive materials and vapors.
5. To avoid motor bearing damage and noisy and/or unbalanced impellers, keep drywall spray, construction dust, etc. off power unit.
6. Your hood motor has a thermal overload which will automatically shut off the motor if it becomes overheated. The motor will restart when it cools down. If the motor continues to shut off and restart, have the hood serviced.
7. For best capture of cooking impurities, the bottom of the hood should be a minimum of 24" and a maximum of 30" above the cooking surface. See "Install Mounting Bracket" section for mounting restrictions.
8. Two installers are recommended because of the large size and weight of this hood.
9. This product is equipped with a thermostat which may start blower automatically. To reduce the risk of injury and to prevent power from being switched on accidentally, switch power off at service panel and lock or tag service panel.
10. Do not use the top of the hood as a shelf.
11. Please read specification label on product for further information and requirements.

OPERATION

Controls

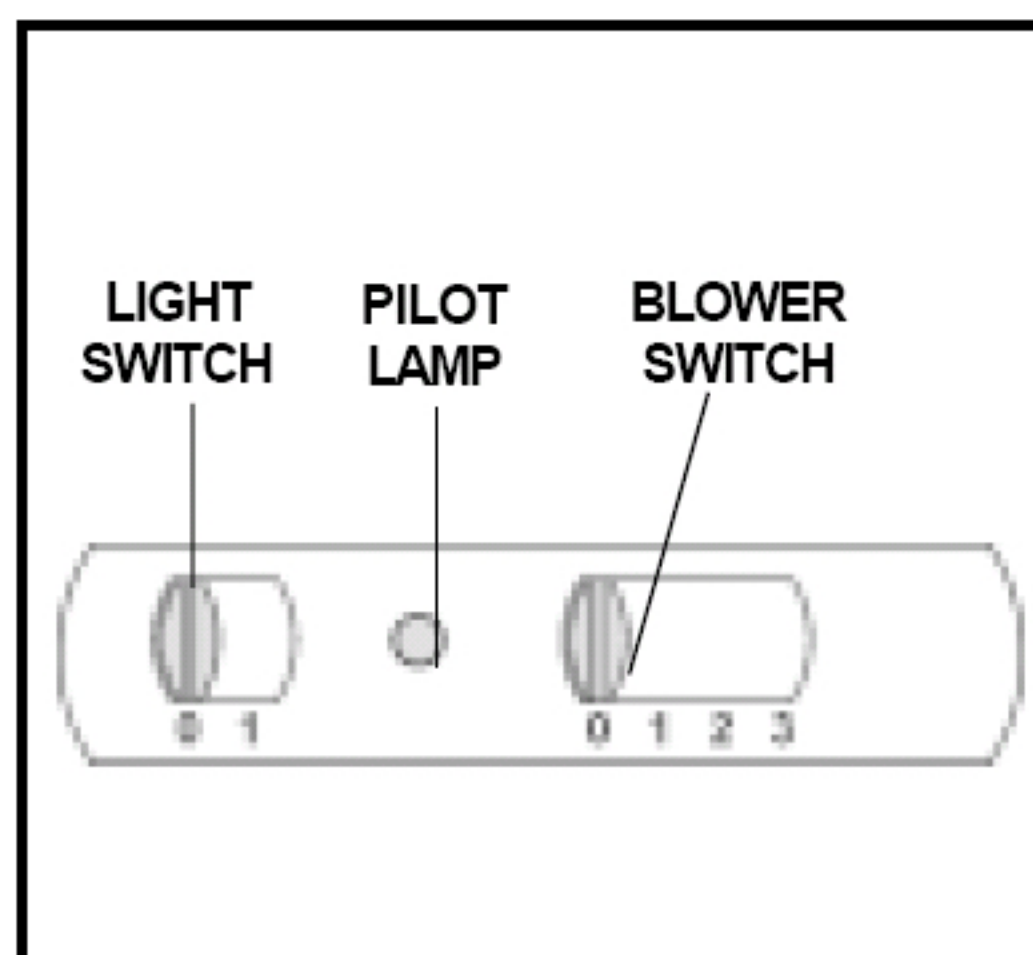
The hood is operated using the slide controls under the bottom of the hood.

The **light switch** turns the lamps on and off.

The **blower switch** turns the blower on to three speed settings:

- 0 - OFF
- 1 - LOW SPEED
- 2 - MEDIUM SPEED
- 3 - HIGH SPEED

The **pilot lamp** lights up whenever the blower is on.



HEAT SENTRY™

Your hood is equipped with a HEAT SENTRY™ thermostat. This thermostat is a device that will turn on or speed up the blower if it senses excessive heat above the cooking surface.

1. If blower is OFF - it turns blower ON to HIGH speed.
2. If blower is ON at a lower speed setting - it turns blower up to HIGH speed.

When the temperature level drops to normal, the blower will return to its original setting.

⚠ WARNING: The HEAT SENTRY thermostat can start the blower even if the hood is turned OFF. When this occurs, it is impossible to turn the blower OFF with its switch. If you must stop the blower, do it from the main electrical panel.

HALOGEN BULBS

This range hood requires two halogen bulbs (Type JC, 12Volt, 20 Watt Max, G-4 Base).

⚠ WARNING: Always switch off the electrical supply before carrying out any operation on the appliance.

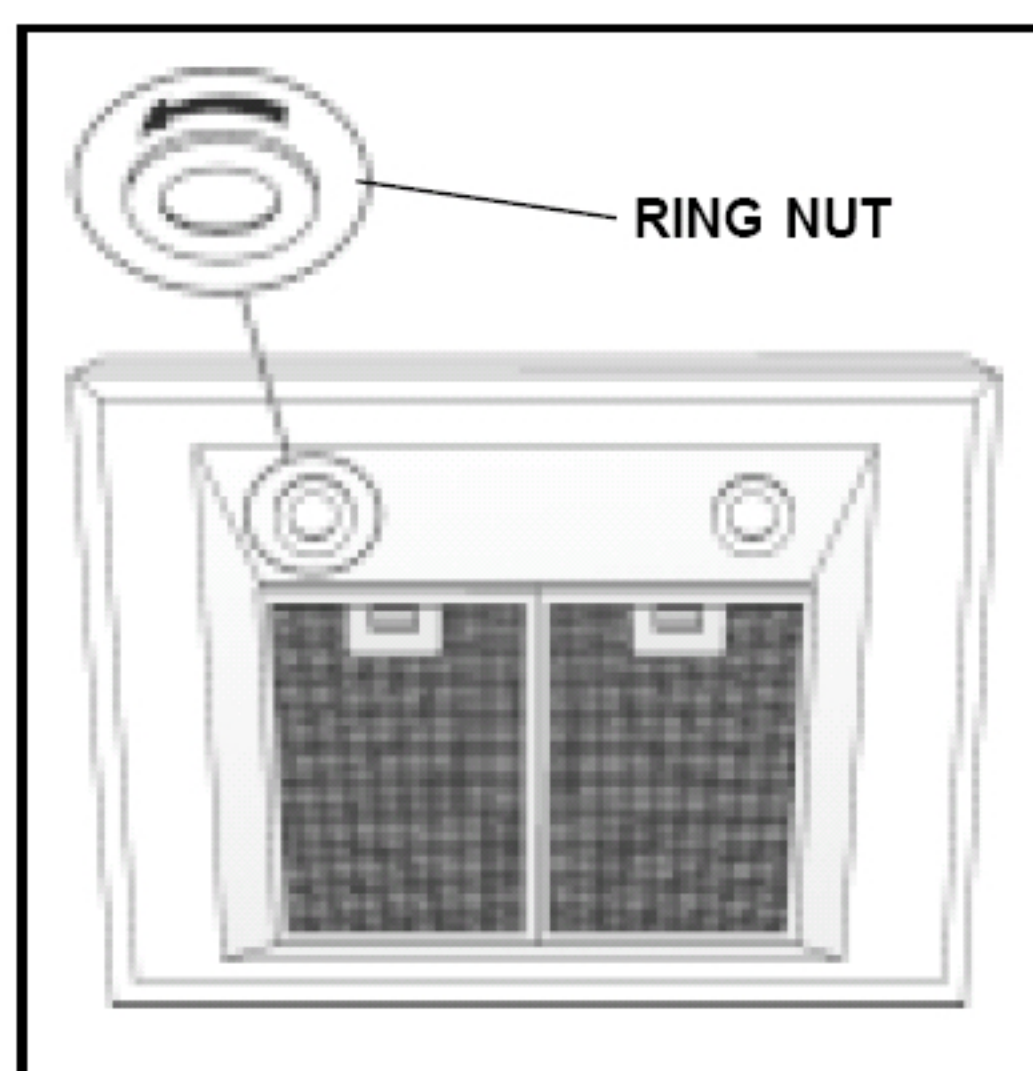
To change bulbs:

1. Loosen the ring nut by turning it counter-clockwise.
2. Remove the bulb by pulling sideward (DO NOT ROTATE).

⚠ CAUTION: Bulb may be hot.

3. Replace with Type JC, 12Volt, 20 Watt Max, G-4 Base halogen bulb. Do not touch replacement bulb with bare hands!

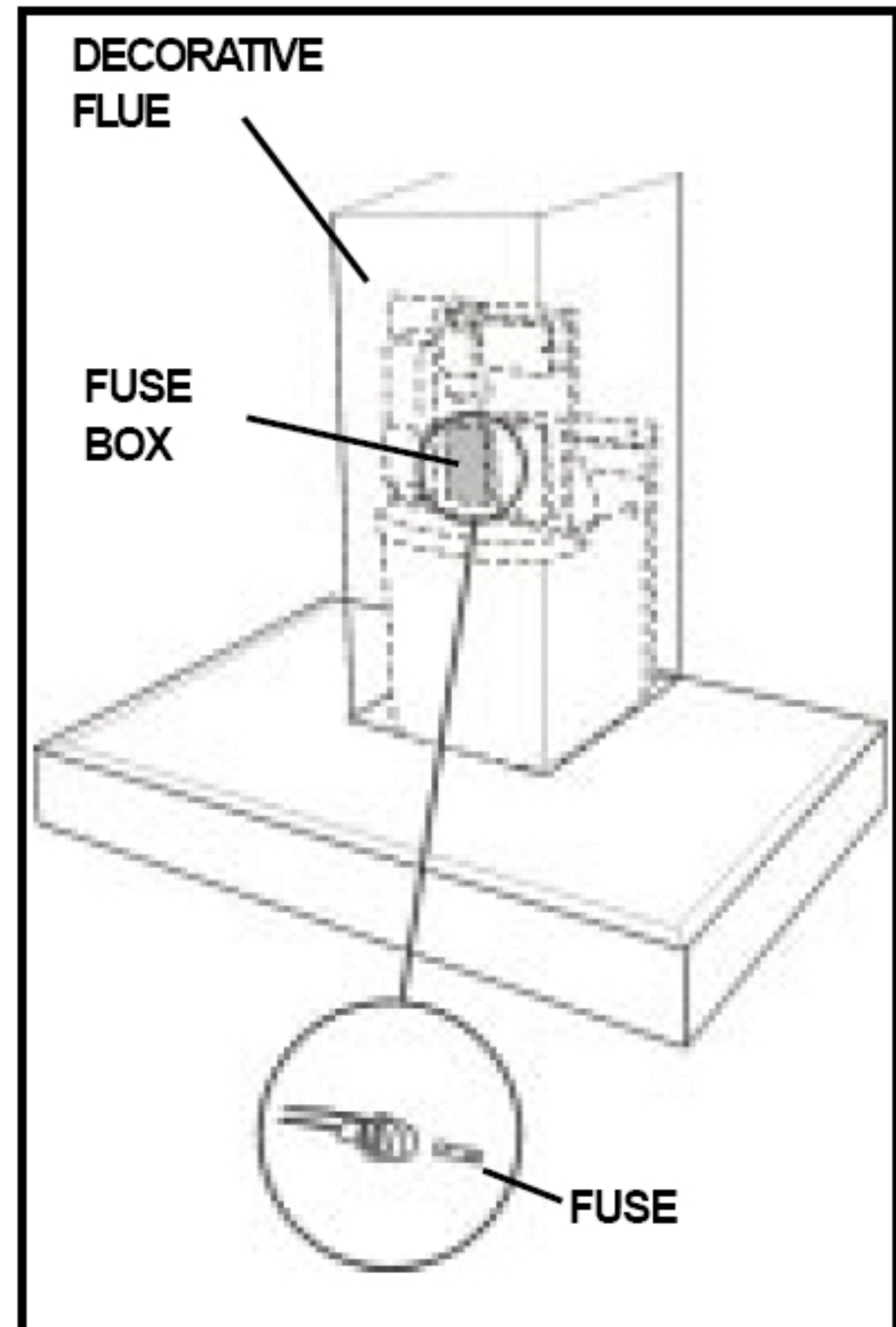
Do not use bulbs greater than 20 Watts. Bulbs greater than 20 Watts will cause fuse to open.



FUSE REPLACEMENT

IF LIGHTS FAIL TO OPERATE, DISCONNECT POWER AT THE SERVICE ENTRANCE. CHECK THE FUSE AND REPLACE IF NECESSARY.

1. Raise or remove the lower decorative flue.
2. Remove the cover from the fuse box.
3. Unscrew the cap from the fuse holder and remove the fuse.
4. Replace the fuse with the same size and amperage (5 x 20mm, 4 amp, 125 volt).
Do not use fuses greater than 4 amps. Fuses greater than 4 amps may damage the transformer.
5. Reinstall the fuse holder cap, fuse box cover and flue.
6. Reconnect power at the service entrance.



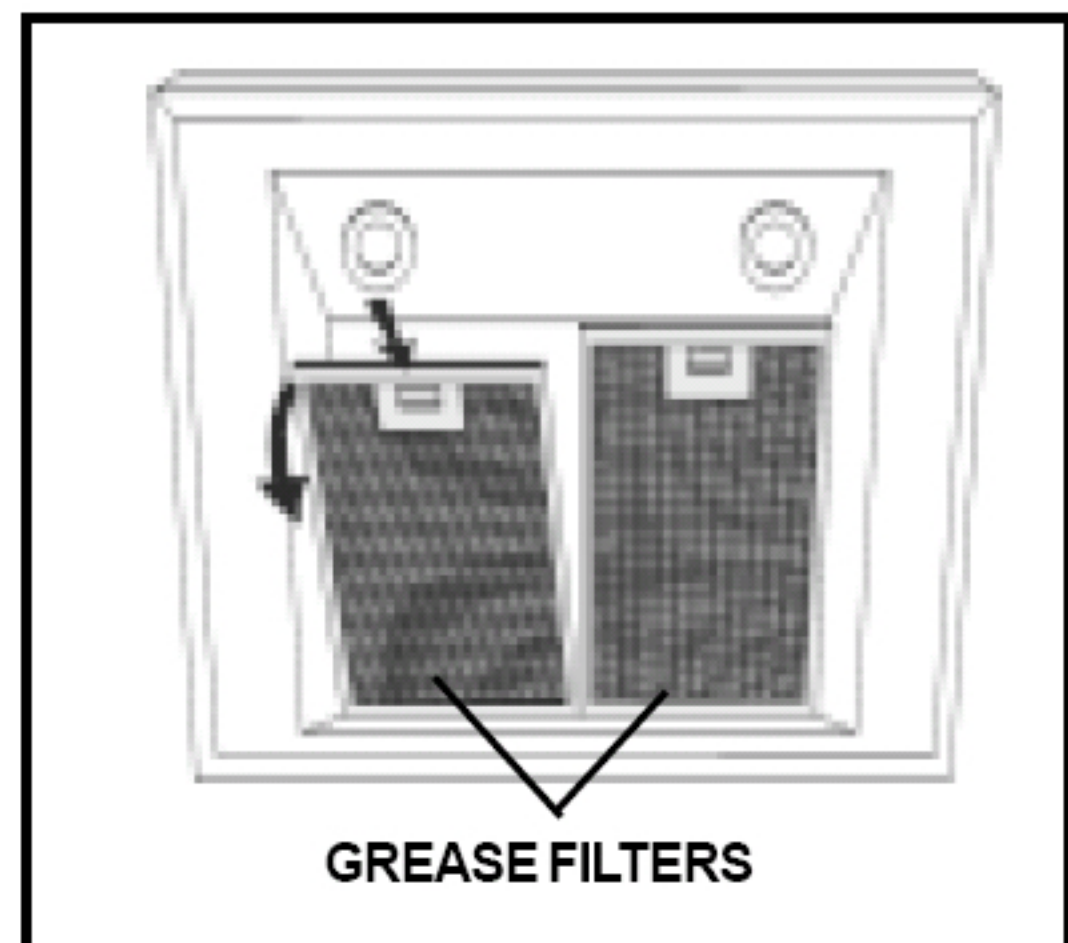
MAINTENANCE

Proper maintenance of the Range Hood will assure proper performance of the unit.

Grease Filters

The **grease filters** should be cleaned frequently. Use a warm detergent solution. Grease filters are dishwasher safe.

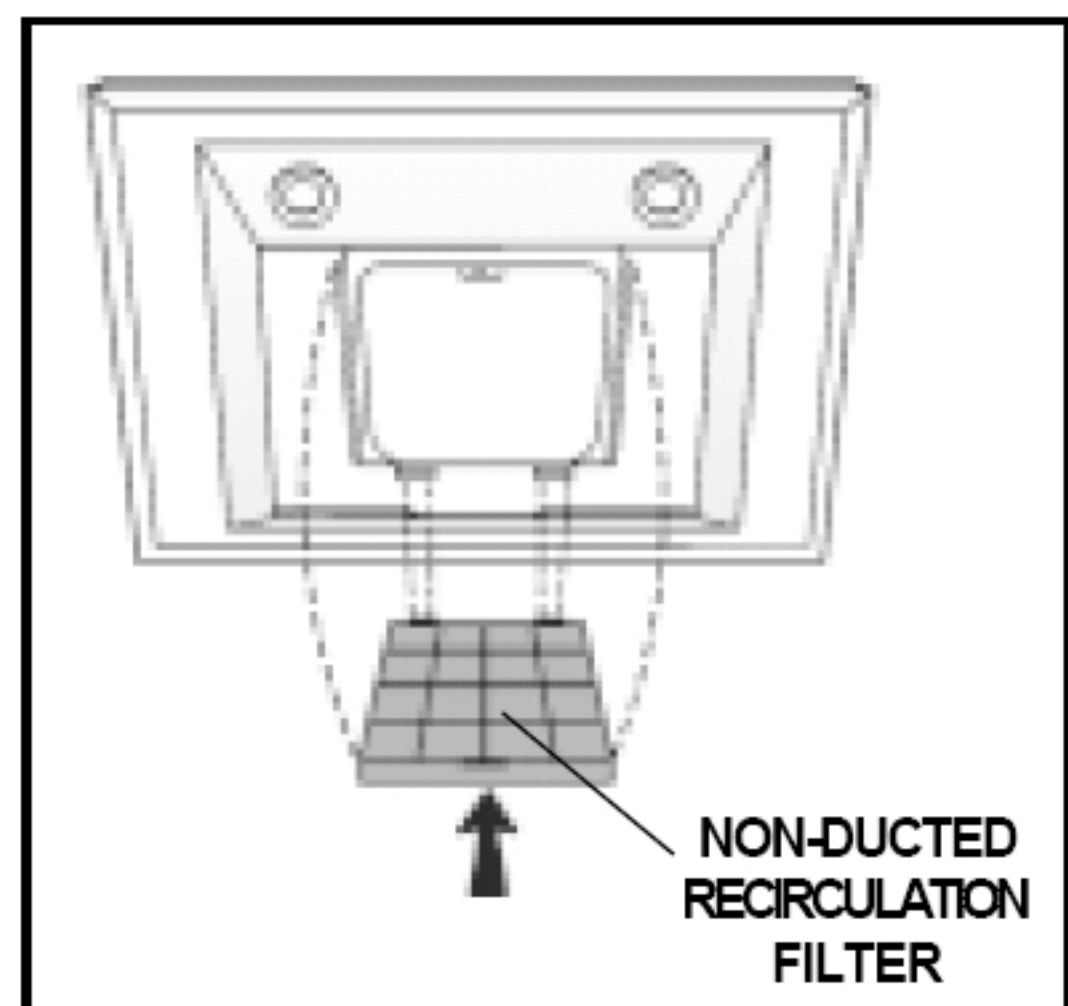
See "INSTALL FILTERS" section for removal and installation instructions.



Non-Ducted Recirculation Filter

The non-ducted recirculation filter should be changed every 6 months.

See "INSTALL FILTERS" section for removal and installation instructions.



Hood Cleaning

Stainless steel is one of the easiest materials to keep clean. Occasional care will help preserve its fine appearance.

Cleaning tips:

1. Hot water with soap or detergent is all that is usually needed.
2. Follow all cleaning by rinsing with clear water. Wipe dry with a clean, soft cloth to avoid water marks.
3. For discolorations or deposits that persist, use a non-scratching household cleanser or stainless steel polishing powder with a little water and a soft cloth.
4. For stubborn cases, use a plastic scouring pad or soft bristle brush together with cleanser and water. Rub lightly in direction of polishing lines or "grain" of the stainless finish. Avoid using too much pressure which may mar the surface.
5. **DO NOT** allow deposits to remain for long periods of time.
6. **DO NOT** use ordinary steel wool or steel brushes. Small bits of steel may adhere to the surface causing rust.
7. **DO NOT** allow salt solutions, disinfectants, bleaches, or cleaning compounds to remain in contact with stainless steel for extended periods. Many of these compounds contain chemicals which may be harmful. Rinse with water after exposure and wipe dry with a clean cloth.

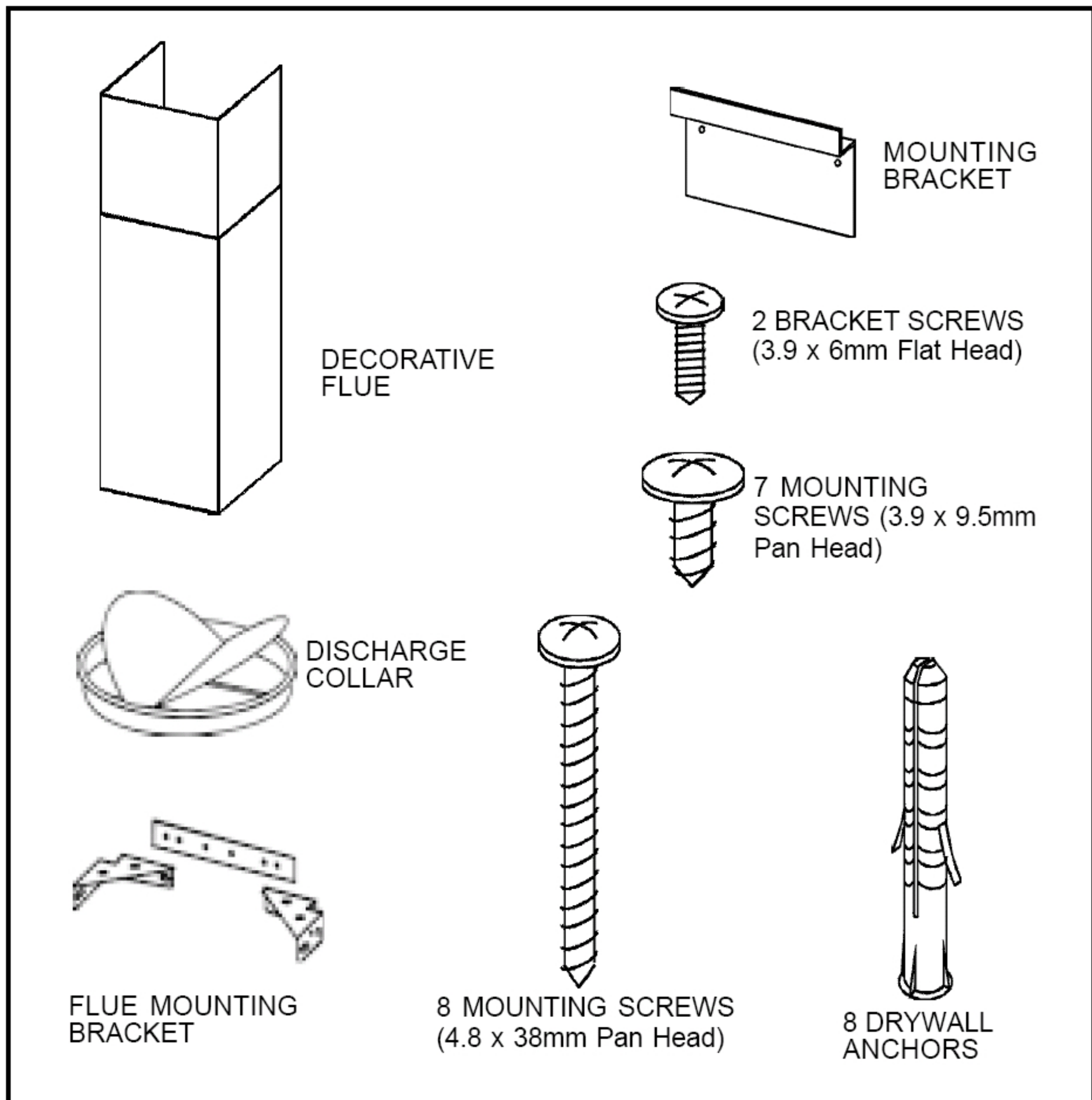
Painted surfaces should be cleaned with warm water and mild detergent only.

PREPARE THE HOOD

Unpack hood and check contents.

You should receive:

- 1 - Hood
- 1 - Decorative Flue Assembly
- 1 - Parts Bag :
 - 1 - Mounting Bracket
 - 1 - Discharge Collar
 - 1 - Flue Mounting Bracket
 - 8 - Mounting Screws (4.8 x 38mm Pan Head)
 - 7 - Mounting Screws (3.9 x 9.5mm Pan Head)
 - 2 - Bracket Screws (3.9 x 6 mm Flat Head)
 - 8 - Drywall Anchors
- 1 - Installation Instructions
- 1 - Warranty Card

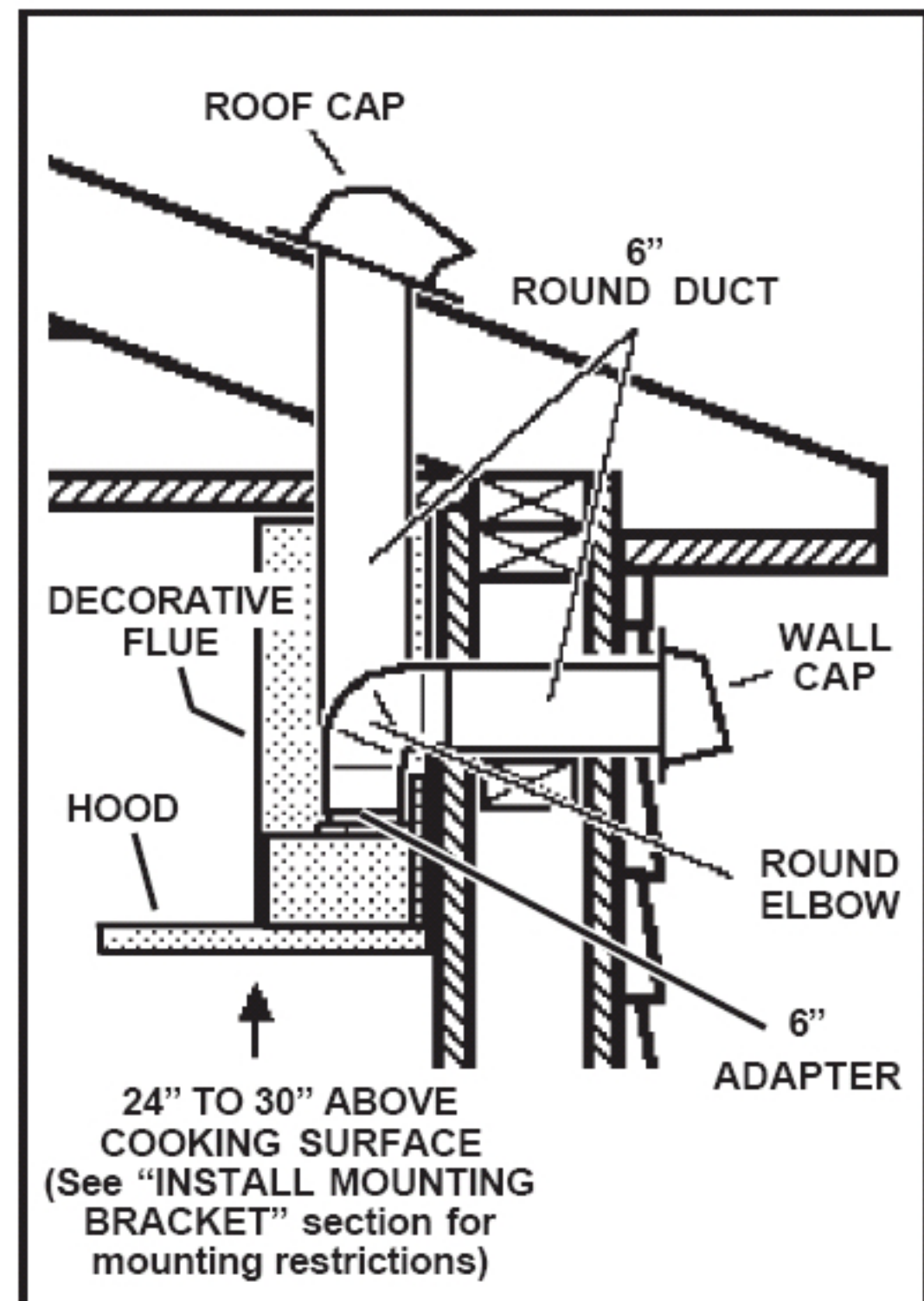


INSTALL THE DUCTWORK

(DUCTED HOODS ONLY)

⚠ CAUTION: To reduce the risk of fire, use only metal ductwork.

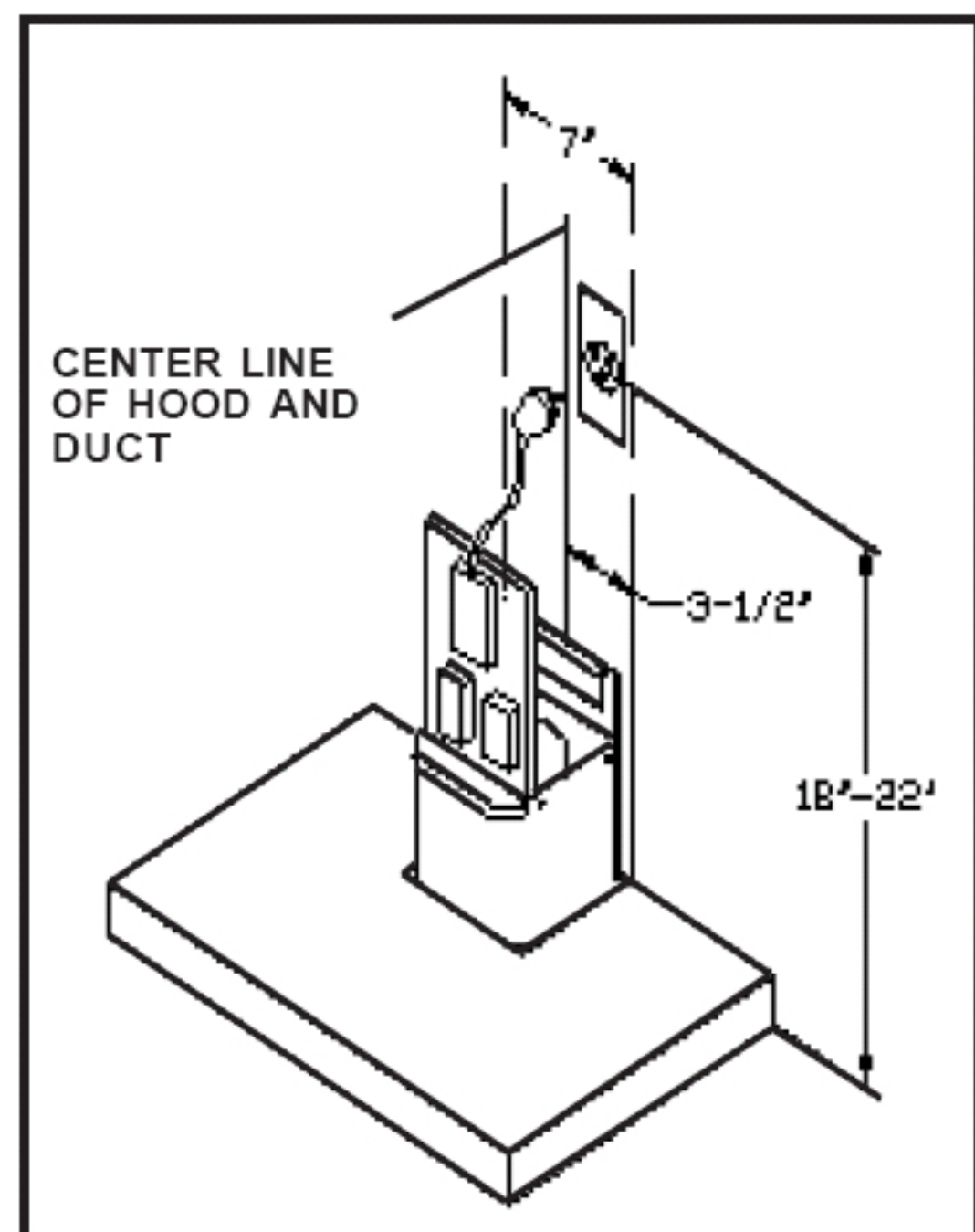
1. Decide where the ductwork will run between the hood and the outside.
2. A straight, short duct run will allow the hood to perform most efficiently.
3. Long duct runs, elbows, and transitions will reduce the performance of the hood. Use as few of them as possible. Larger ducting may be required for best performance with longer duct runs.
4. Install a roof or wall cap. Connect round metal ductwork to cap and work back towards hood location. Use duct tape to seal the joints between ductwork sections.



INSTALL ELECTRICAL

⚠ WARNING: Electrical wiring must be done by a qualified person(s) in accordance with all applicable codes and standards. This range hood must be properly grounded. Turn off electrical power at service entrance before wiring.

1. Plan where the hood will be located above the cook top. Refer to the "INSTALL MOUNTING BRACKET" section for hood mounting height options.
2. Install a standard 2" x 4" wall outlet box and 3-blade 125 volt, 15Amp grounded receptacle.
3. Mount the receptacle 18" to 22" above the bottom of the hood.
4. Locate the receptacle within boundary shown and off center of the ductwork (to allow for power cord plug and flue clearance).



INSTALL MOUNTING BRACKET

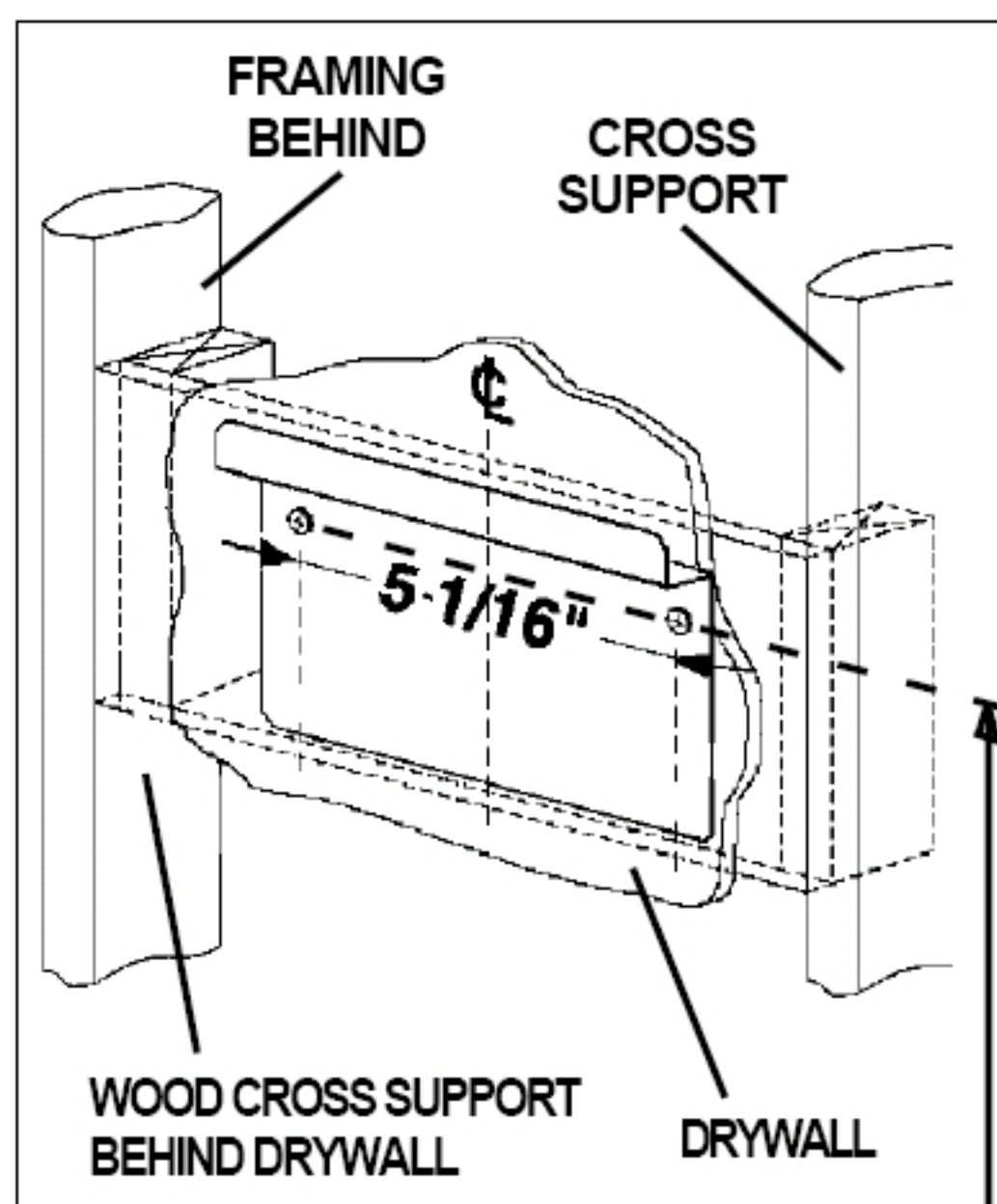
(DUCTED AND NON-DUCTED HOODS)

1. Construct wood wall **framing** that is **flush** with interior surface of wall studs.

Make sure:

- a) the framing is centered over installation location.
- b) the height of the framing will allow the **mounting bracket** to be secured to the framing within the dimensions shown.

2. **After wall surface is finished**, secure mounting bracket to framing using dimensions shown.



CEILING HEIGHT	HOOD DISTANCE ABOVE 36" HIGH COOKTOP (SEE NOTE)						
	24"	25"	26"	27"	28"	29"	30"
	MOUNTING BRACKET LOCATION ABOVE 36" HIGH COOKTOP						
8 FEET	37"	38"	39"	40"	41"		
9 FEET		38"	39"	40"	41"	42"	43"
10 FEET (Note 2)		38"	39"	41"	42"	43"	44"

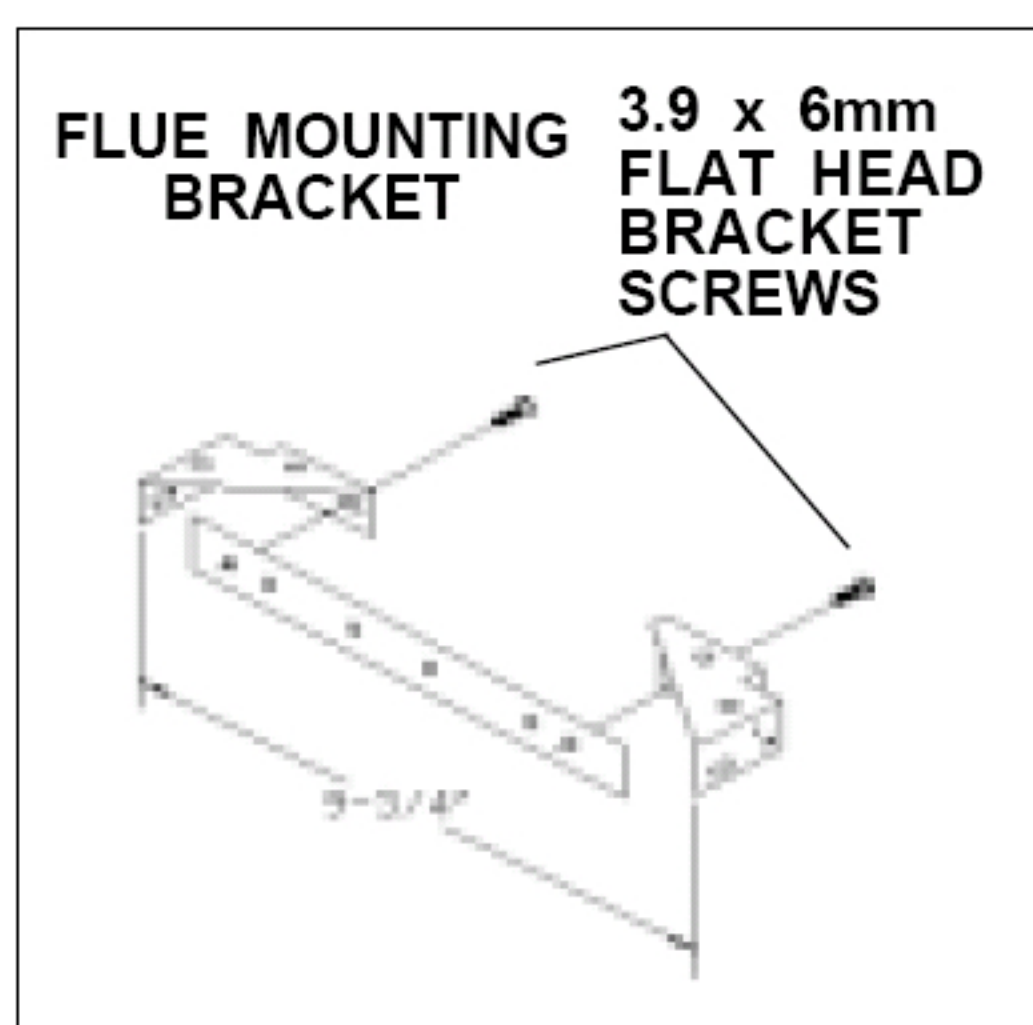
NOTES:

1. Minimum hood distance above cooktop must not be less than 24".
A maximum of 30" above the cooktop is highly recommended for best capture of cooking impurities.
Distances over 30" above the cooktop are at the installer's and user's discretion - providing that ceiling height and flue length permit.
2. Requires optional 10-foot flue extension model RFX5304 (ducted) or RFXN5304 (non-ducted).

INSTALL FLUE MOUNTING BRACKET

(DUCTED AND NON-DUCTED HOODS)

1. Assemble the flue mounting bracket, adjusting outside width as shown. See Figure 10.
2. **Carefully** center the mounting bracket directly over the range hood location.
3. Secure the bracket assembly to the ceiling using (2) 3.9 x 6mm mounting screws and drywall anchors. Make sure the bracket is pushed into the corner, tight against the wall and centered over the hood.



PREPARE THE HOOD

NOTE: On stainless steel hoods, carefully remove the plastic protective film from all exterior surfaces of the hood, decorative flues, and filter frames prior to final installation.

(DUCTED HOODS ONLY)

1. Install the discharge collar into the duct connector of the range hood.
2. Attach an adequate length of 6" round steel ducting to the range hood duct connector.
3. Duct tape all joints to make them secure and air tight.
4. Secure the electrical system plate to the range hood with (2) mounting screws.
5. Carefully place the lower decorative flue into the recessed area of the range hood top.
6. Carefully slide the upper decorative flue down inside the lower flue.

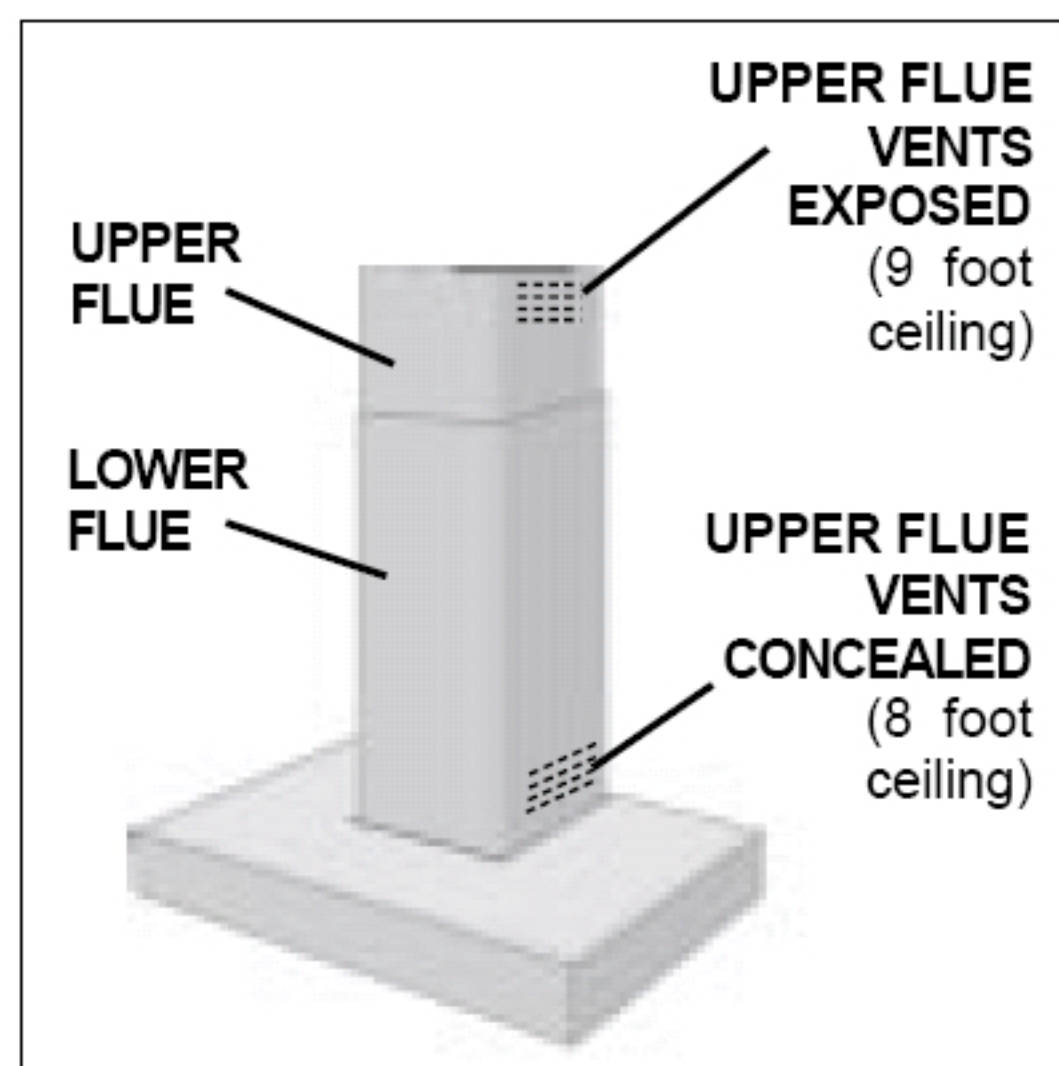
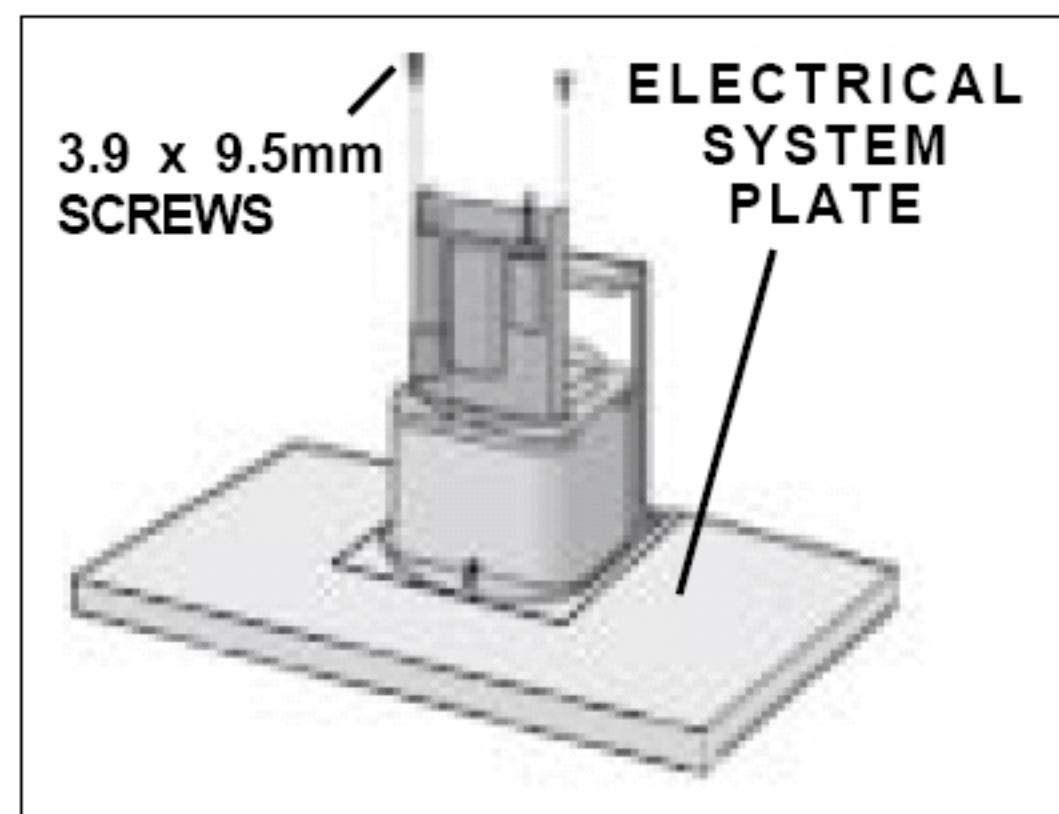
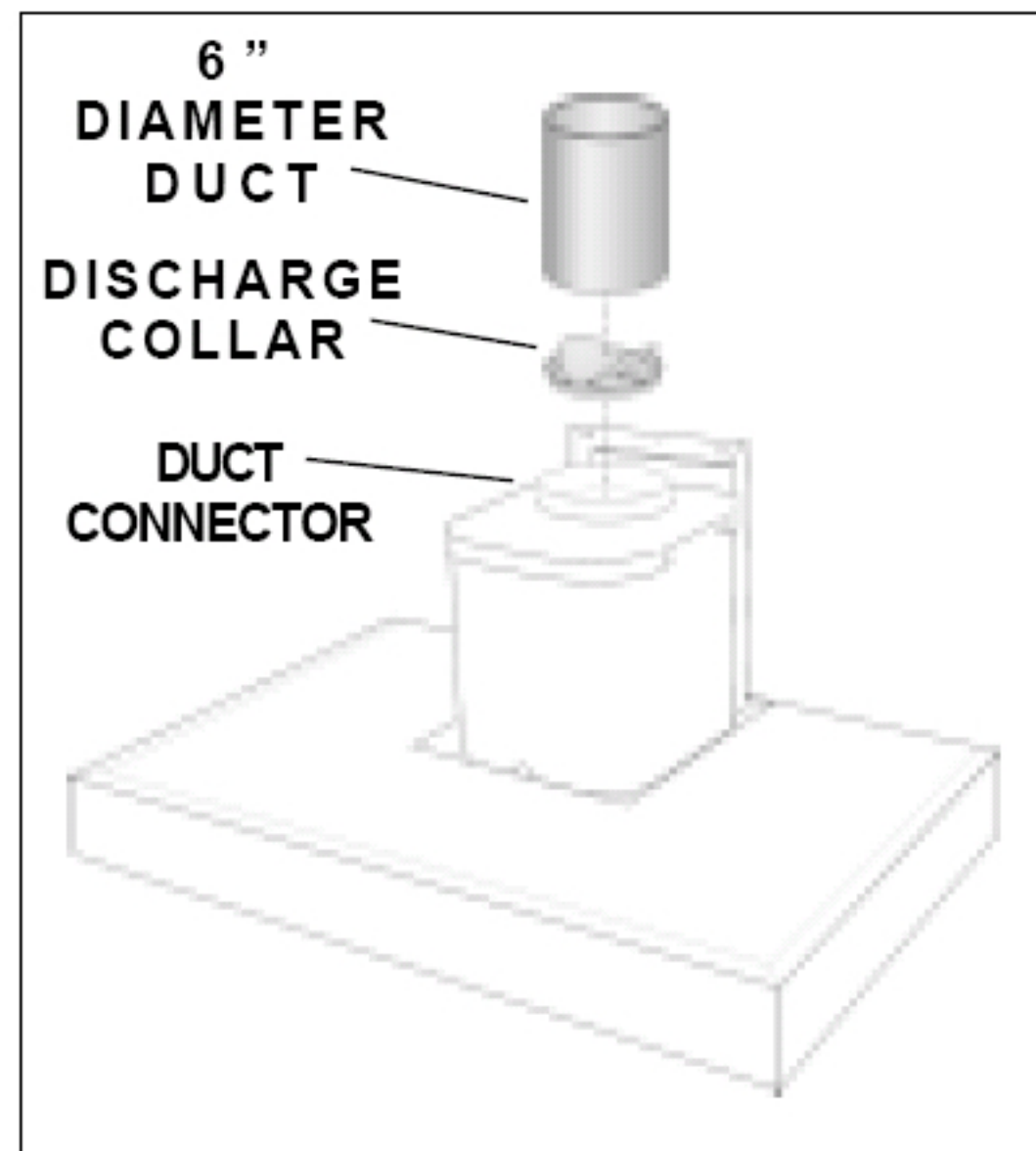
Note: On 8-foot ceilings the air vents on the upper flue are concealed by installing the flue with air vents down.

Note: On 9-foot ceilings the air vents on the upper flue will be exposed after installation.

ROOMS WITH 10-FOOT CEILINGS

Rooms with 10-foot ceilings require flue extension model RFX5304, available from your local dealer.

7. Discard the upper flue supplied with the product. Replace it with the flue extension RFX5304.



PREPARE THE HOOD

(NON-DUCTED HOODS ONLY)

Note: The following materials must be purchased separately for non-ducted recirculation installations.

Non - Ducted Recirculation Kit, Model RRK51.

5" diameter expandable / flexible aluminum duct.

1/16" diameter twist drill.

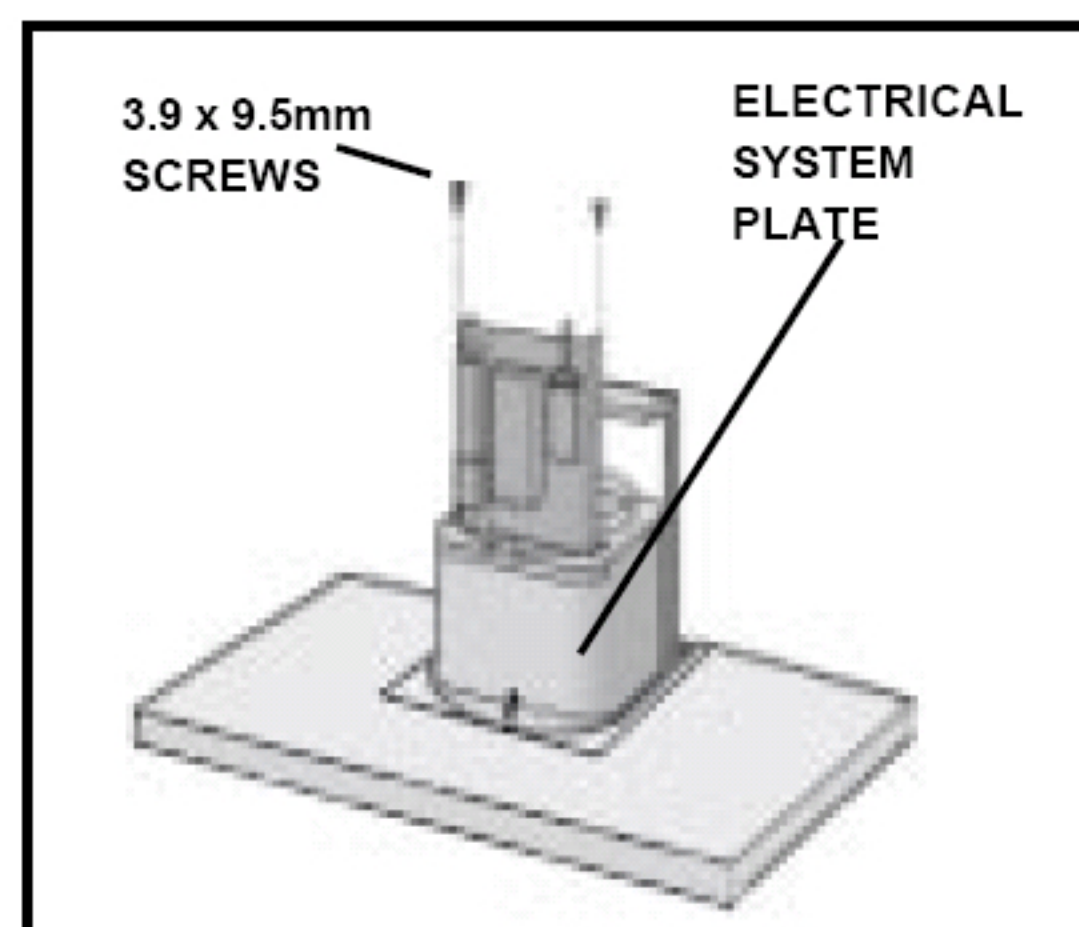
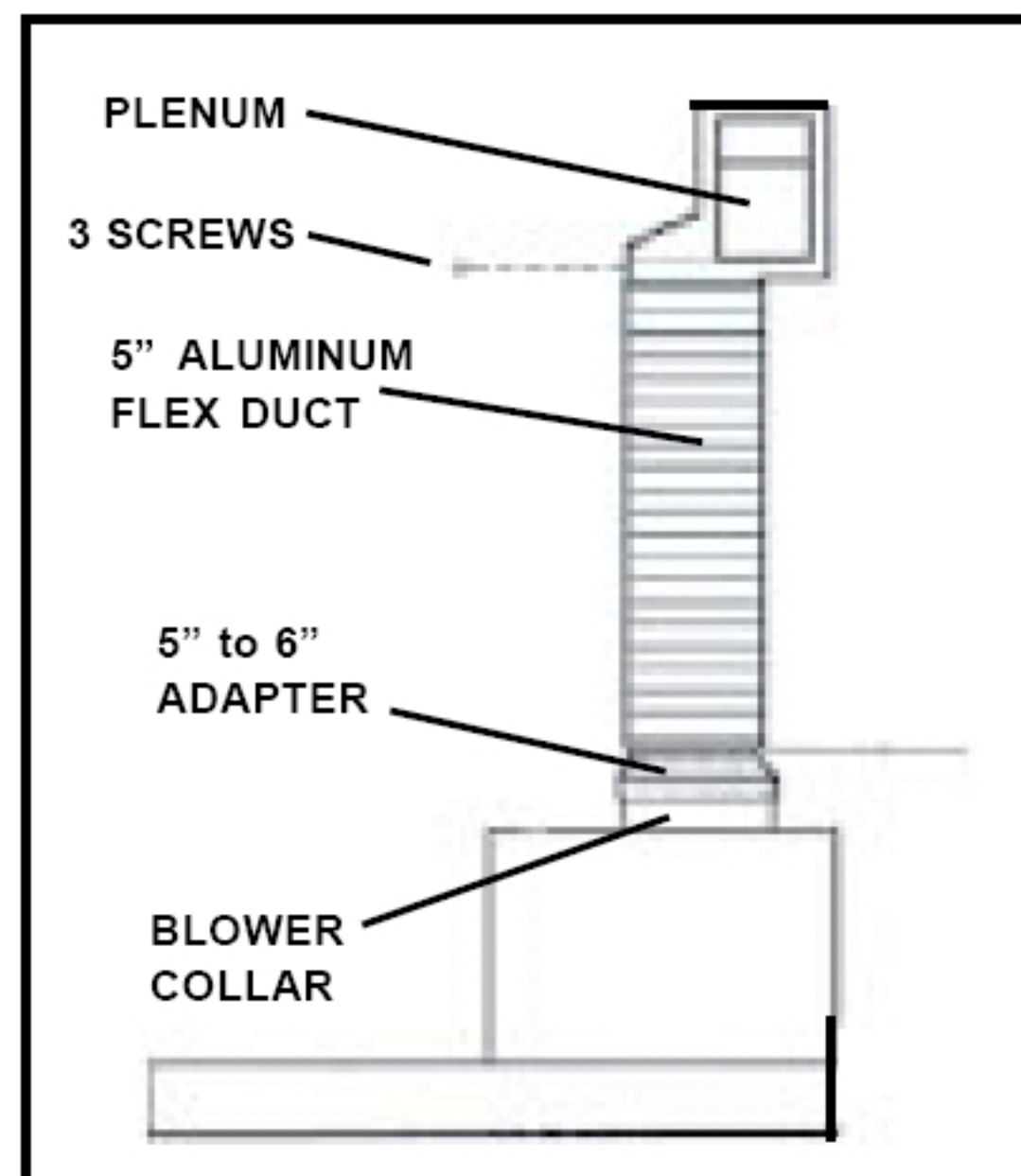
⚠ CAUTION: Do not use plastic or rigid metal ducting.

1. Determine the length of the compressed flexible aluminum ducting using the following formula:

34" MINUS	Distance above cook top. See Page 9, height restrictions table.	PLUS 12" If ceiling height is 9-feet. (or 24" If ceiling height is 10 feet)	= Length of compressed flexible aluminum ductwork.
------------------	---	--	--

Worksheet: 34" - _____ + _____ (for 9' or 10' ceiling only) = _____

2. Discard the discharge collar/damper supplied with the hood. Install the 5" to 6" adapter supplied with the Non-Ducted Recirculation Kit.
3. Attach aluminum flexible duct to the 5" adapter. Securely tape all joints with duct tape to prevent separation of components as flex ducting is expanded.
4. Assemble the recirculation plenum to the flexible duct.
5. Drill three (3) 1/16" diameter equally spaced holes through the duct and duct connector of the recirculation plenum.
6. Secure duct to the plenum's connector with (3) sheet metal screws: (3.9 x 9.5 mm) Tape all joints with duct tape.
7. Secure electrical system plate to the range hood with (2) mounting screws.



PREPARE THE HOOD (CONT'D)

(NON-DUCTED HOODS ONLY)

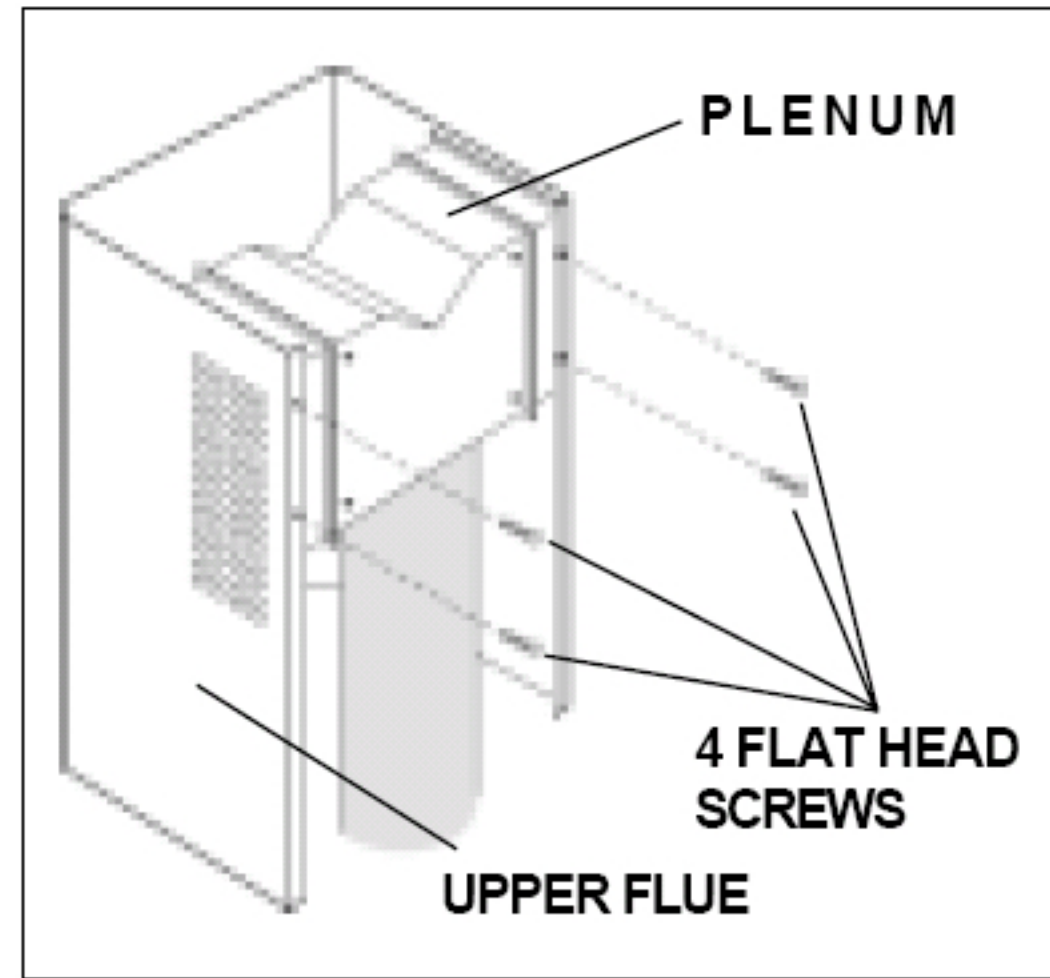
- Carefully slide the upper decorative flue down inside the lower flue.
- Carefully place the decorative flues into the recessed area of the range hood top.

Note: Air vents must be up.

ROOMS WITH 10-FOOT CEILINGS

Rooms with 10-Foot ceilings require flue extension model RFXN5304, available from your local dealer.

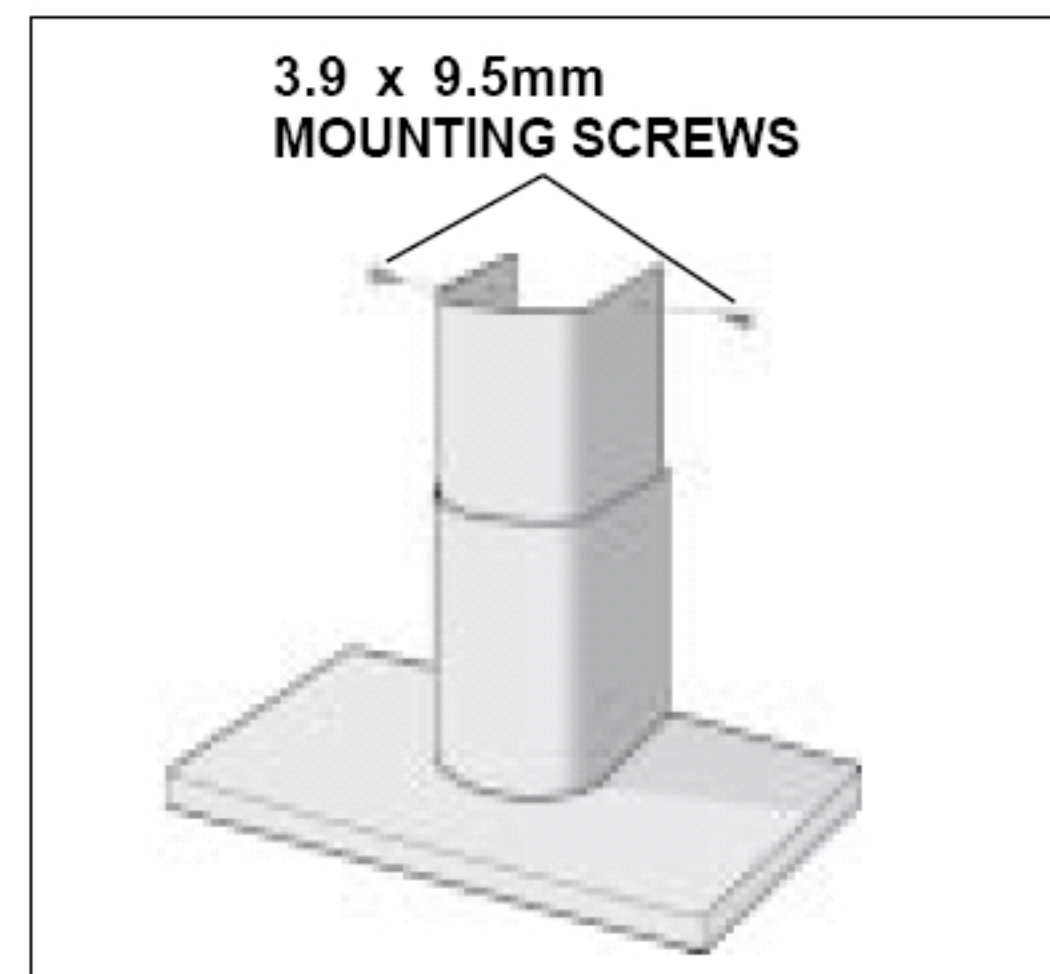
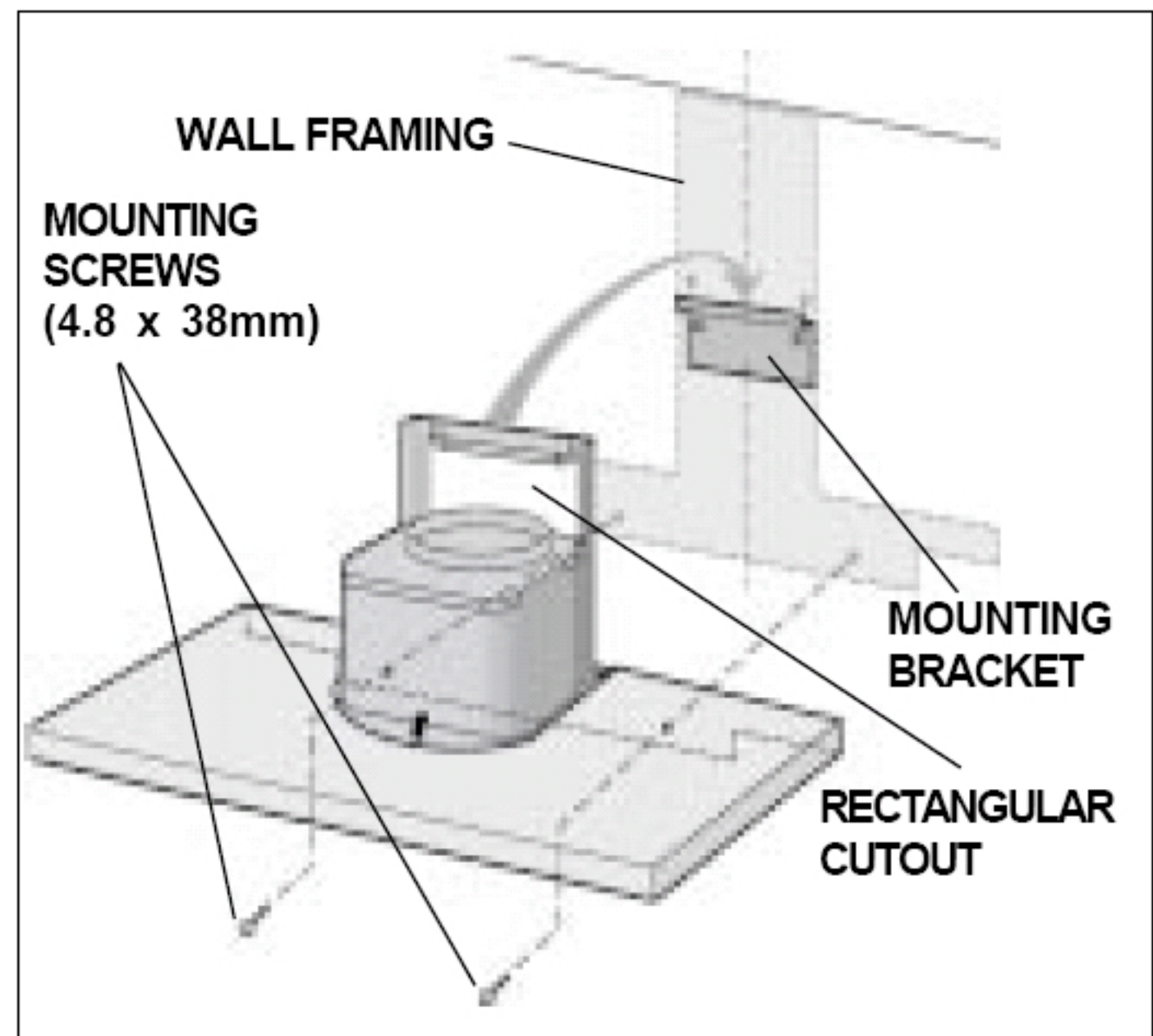
- Discard upper flue supplied with product. Replace with flue extension RFXN5304.
- Secure the recirculation plenum to the upper flue with (4) flat head screws.



INSTALL THE HOOD

Note: At least two people will be required to mount the hood.

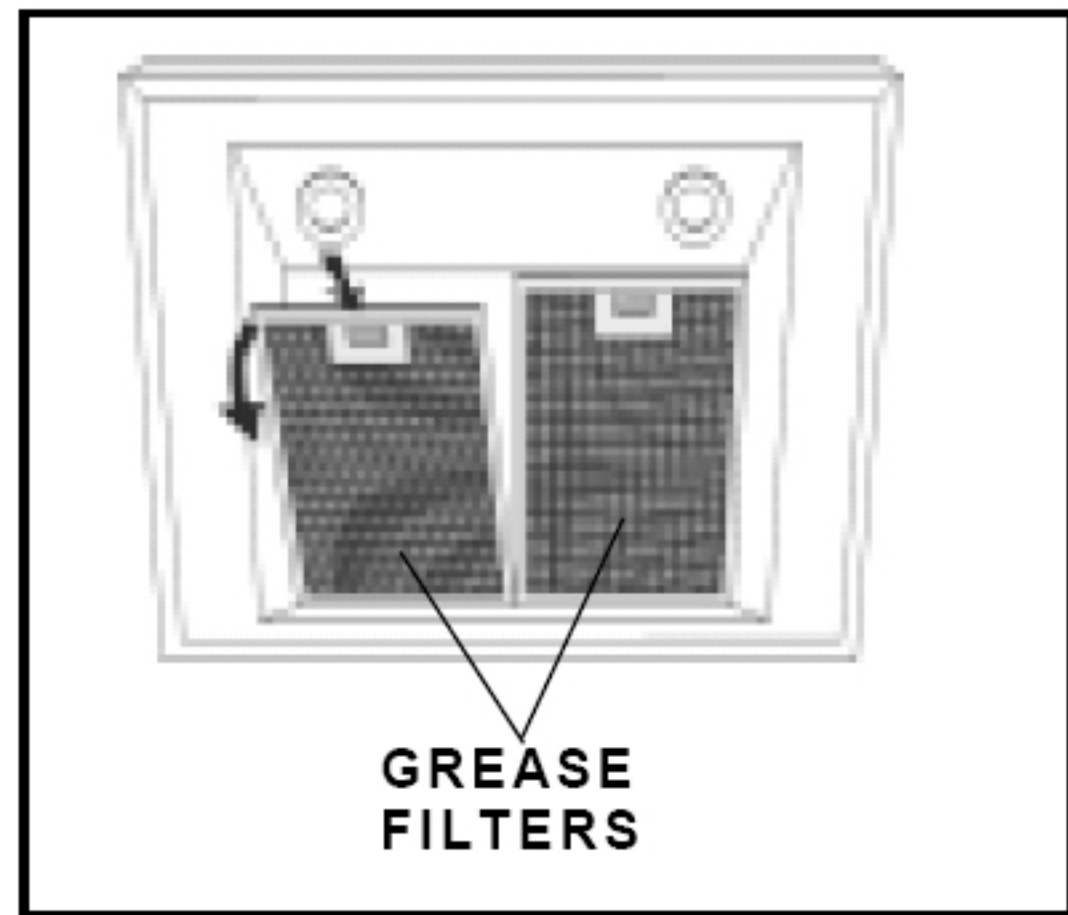
- Align the rectangular opening on the back of the hood with the wall-mounting bracket. Gently lower the hood until it securely engages the bracket.
- Level the hood and secure with (2) mounting screws under the hood. Use drywall anchors provided if wall studs or framing are not available.
- Raise the upper flue until its holes align with holes in the flue mounting bracket (located on ceiling).
- Secure the flue with (2) mounting screws.



INSTALL FILTERS

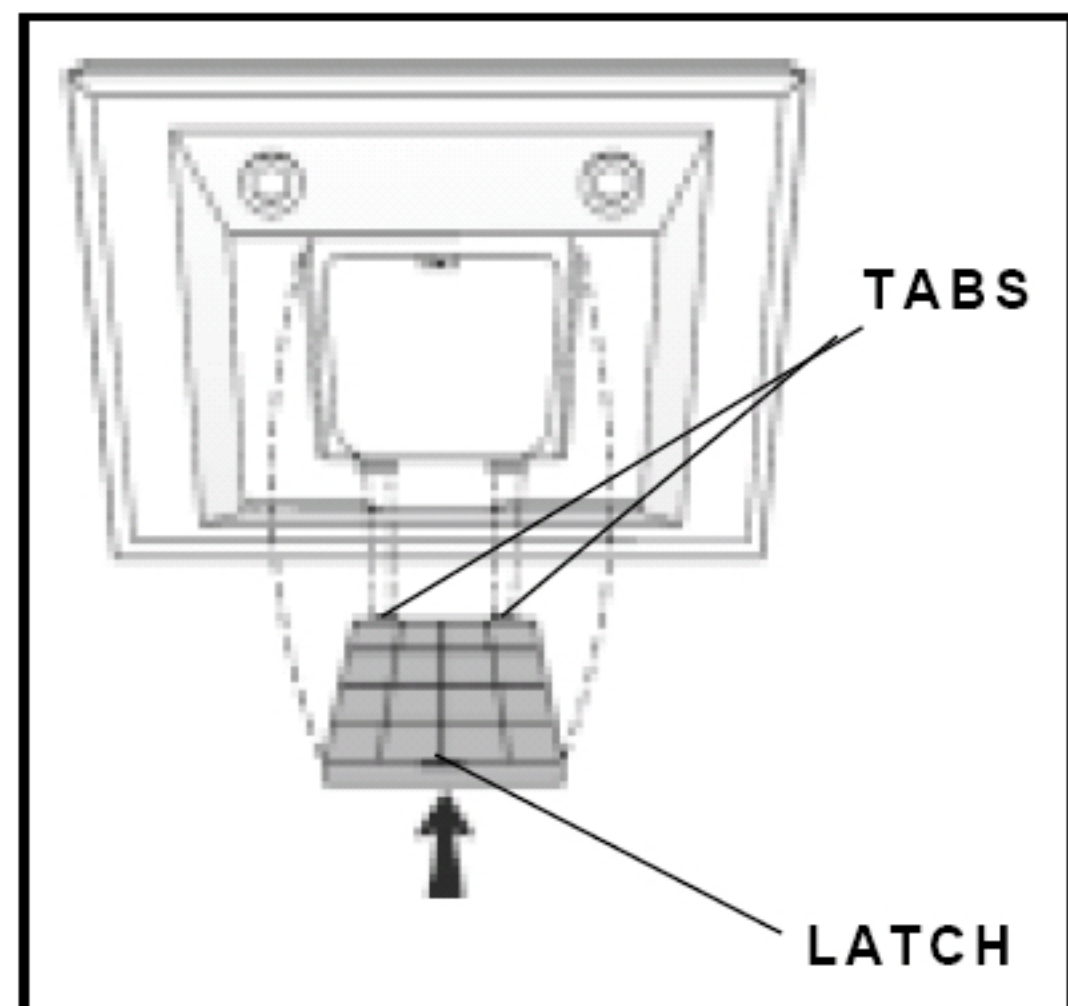
(DUCTED AND NON-DUCTED HOODS)

1. To remove the GREASE filter, push in on the metal latch tab. This will disengage the filter from the hood. Tilt the filter downward and remove.
2. To install the GREASE filter, align rear filter tabs with slots in the hood. Push in the metal latch tab, push filter into position and release. Make sure the filter is securely engaged after assembly.



(NON-DUCTED HOODS ONLY)

1. To remove the CHARCOAL filter, push in on the front filter latch. Pull the filter down to disengage the rear filter tabs.
2. To install the CHARCOAL filter, align the rear filter tabs with slots in the hood. Push the filter up into place until the front latch snaps securely into the slot. Make sure the filter is securely engaged after assembly.
3. Install GREASE filter after charcoal filter is installed.



WARRANTY

BROAN-NUTONE LLC ONE YEAR LIMITED WARRANTY

Broan-NuTone LLC warrants to the original consumer purchaser of its products that such products will be free from defects in materials or workmanship for a period of one year from the date of original purchase. THERE ARE NO OTHER WARRANTIES, EXPRESS OR IMPLIED, INCLUDING, BUT NOT LIMITED TO, IMPLIED WARRANTIES OR MERCHANTABILITY OR FITNESS FOR A PARTICULAR PURPOSE.

During this one-year period, Broan-NuTone LLC will, at its option, repair or replace, without charge, any product or part which is found to be defective under normal use and service.

THIS WARRANTY DOES NOT EXTEND TO FLUORESCENT LAMP STARTERS, TUBES, HALOGEN AND INCANDESCENT BULBS. This warranty does not cover (a) normal maintenance and service or (b) any products or parts which have been subject to misuse, negligence, accident, improper maintenance or repair (other than by Broan-NuTone LLC), faulty installation or installation contrary to recommended installation instructions.

The duration of any implied warranty is limited to the one-year period as specified for the express warranty. Some states do not allow limitation on how long an implied warranty lasts, so the above limitation may not apply to you.

BROAN-NUTONE LLC'S OBLIGATION TO REPAIR OR REPLACE, AT BROAN-NUTONE LLC'S OPTION, SHALL BE THE PURCHASER'S SOLE AND EXCLUSIVE REMEDY UNDER THIS WARRANTY. BROAN-NUTONE LLC SHALL NOT BE LIABLE FOR INCIDENTAL, CONSEQUENTIAL OR SPECIAL DAMAGES ARISING OUT OF OR IN CONNECTION WITH PRODUCT USE OR PERFORMANCE. Some states do not allow the exclusion or limitation of incidental or consequential damages, so the above limitation or exclusion may not apply to you.

This warranty gives you specific legal rights, and you may also have other rights, which vary from state to state. This warranty supersedes all prior warranties.

To qualify for warranty service, you must (a) notify Broan-NuTone LLC at the address stated below or telephone: 1-800-637-1453, (b) give the model number and part identification and (c) describe the nature of any defect in the product or part. At the time of requesting warranty service, you must present evidence of the original purchase date.

Broan-NuTone LLC, 926 West State Street, Hartford, WI 53027 (1-800-637-1453)

NuTone, Inc., 4820 Red Bank Road, Cincinnati, OH 45227 (1-800-543-8687)

Broan-NuTone Canada, Inc. 1140 Tristar Drive, Mississauga, Ontario, L5T 1H9 (1-888-882-7626)

SERVICE PARTS

MODEL RM53000

KEY NO.	PART NO.	DESCRIPTION
9	B08087294	Grease Filter
14	B02300233	Motor Capacitor
16	BE3346354	Electrical Box Support
19	B03295005	Terminal Box
26	B02300891	Halogen Lamp Bulb
37	B02300787	Heat Sentry
45	BW0000019	Blower
48	B02310203	Motor
49	B03295076	Blower Wheel
53	B03202007	Rubber Washer
60	B02300249	Feeder Cable
62	B08091462	Blower Mounting Cover
64	BE3347000	Filter Support
86	B08088378	Discharge Collar
113	B03202433	Nameplate
118	BE3347192	Decorative Flue Bottom
119	BE3347193	Decorative Flue Top
120	B08091367	Flue Mounting Bracket
145	B032920170	Feeder Cable Connection Box
146	B032920180	Feeder Cable Connection Box Cover
147	BR2300132	Junction Clamp
151	B032920200	Electrical Box Wires Stop
166	B08086668	Board
165	B03295008	Control Board Box
208	B02300783	Transformer
228	B08086279	Controls Board
229	B03201014	Warning Lamp
230	B03295075	Switch Board Box Cover
234	B03295072	Control Board Box
238	B03295074	Motor Switch Button
241	B03295073	Light Switch Button
274	B03295035	Fuse Box
332	B03295009	Cover
407	BE3344985	Blower Support Bracket
474	B02300791	Halogen Lamp Housing
477	B03295006	Terminal Cover
998	B080810501	Hardware Package
*	B06002013	Blower Assembly (Includes Key Nos. 45, 48, 49, 53)
-	B03300488	Non-Ducted Recirculation Filter
-	B08999634	Non-Ducted Recirculation KIT
-	B02300782	Fuse
-	B02300674	Fuse Holder

* Not shown assembled.