

This Owner's Manual is provided and hosted by [Appliance Factory Parts](#).



BROAN 613004 Owner's Manual

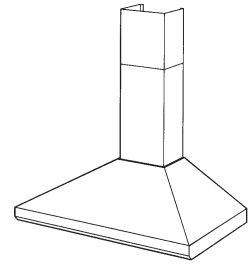
[Shop genuine replacement parts for BROAN 613004](#)



[Find Your BROAN HVAC Parts - Select From 1309 Models](#)

----- Manual continues below -----

613004 / 619004 (RANGEMASTER®) by Broan-NuTone RANGE HOOD



An enduring stainless steel design that combines the flawless look of Italian style with a lasting impression.

FEATURES

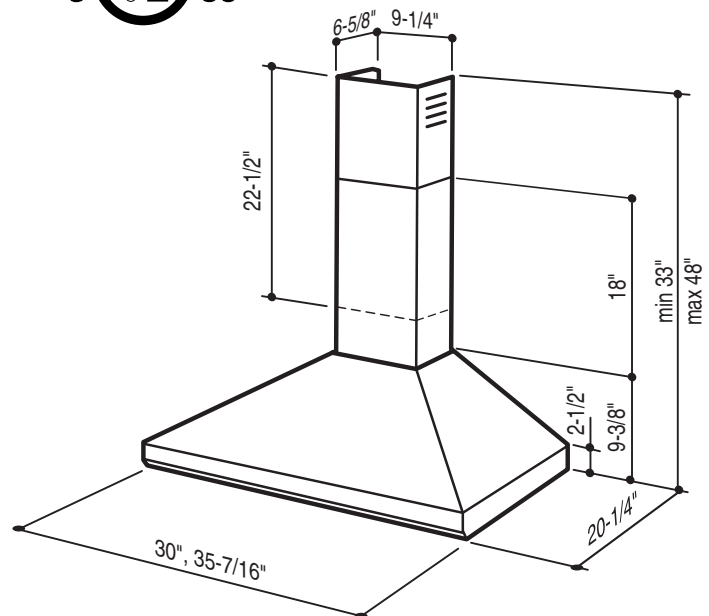
- Italian design
- Wall mount
- Finish: 430 Stainless Steel #4 Brushed
- Widths: 30", 35-7/16" (90cm)
- Telescopic flue accommodates 8' to 9' ceilings
- Convertible to ducted or non-ducted operation
- 6" round duct connector/backdraft damper
- Halogen lighting (2 x 20 watt, Type JC 12V 20W G4 base, bulbs included)
- Concealed three-speed slide control
- 450 CFM centrifugal blower
- Dishwasher-safe filters feature a quick-release latch and polished stainless steel cover plate
- Heat Sentry™ - automatically turns blower to high speed when excess cooking heat is detected

OPTIONS

- Replacement grease filters available
- Non-ducted filter kit (contains two 6" round filters) (Model ROUNDFILTER)
- Flue extension for 10' ceiling (Model RFX6104) (Ducted only – 31-7/8" long)
- Exterior blower version available in 35-7/16" (90cm) and 48" widths, providing 600, 900, 1200, or 1500 CFM exhaust
- 48" wide integral blower version (614804) available, providing 900 CFM exhaust

SPECIFICATIONS

VOLTS	AMPS	CFM	SONES	DUCT
120	3.13	450	9.0	6" round

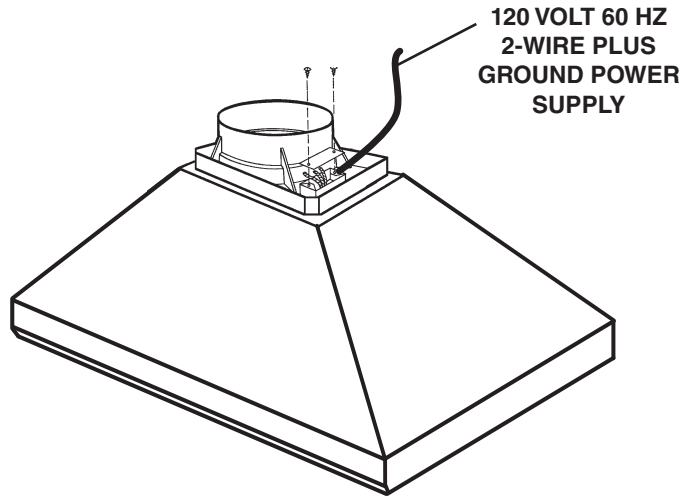


HVI-2100 CERTIFIED RATINGS comply with new testing technologies and procedures prescribed by the Home Ventilating Institute, for off-the-shelf products, as they are available to consumers. Product performance is rated at 0.1 in. static pressure, based on tests conducted in AMCA's state-of-the-art test laboratory. Sones are a measure of humanly-perceived loudness, based on laboratory measurements.

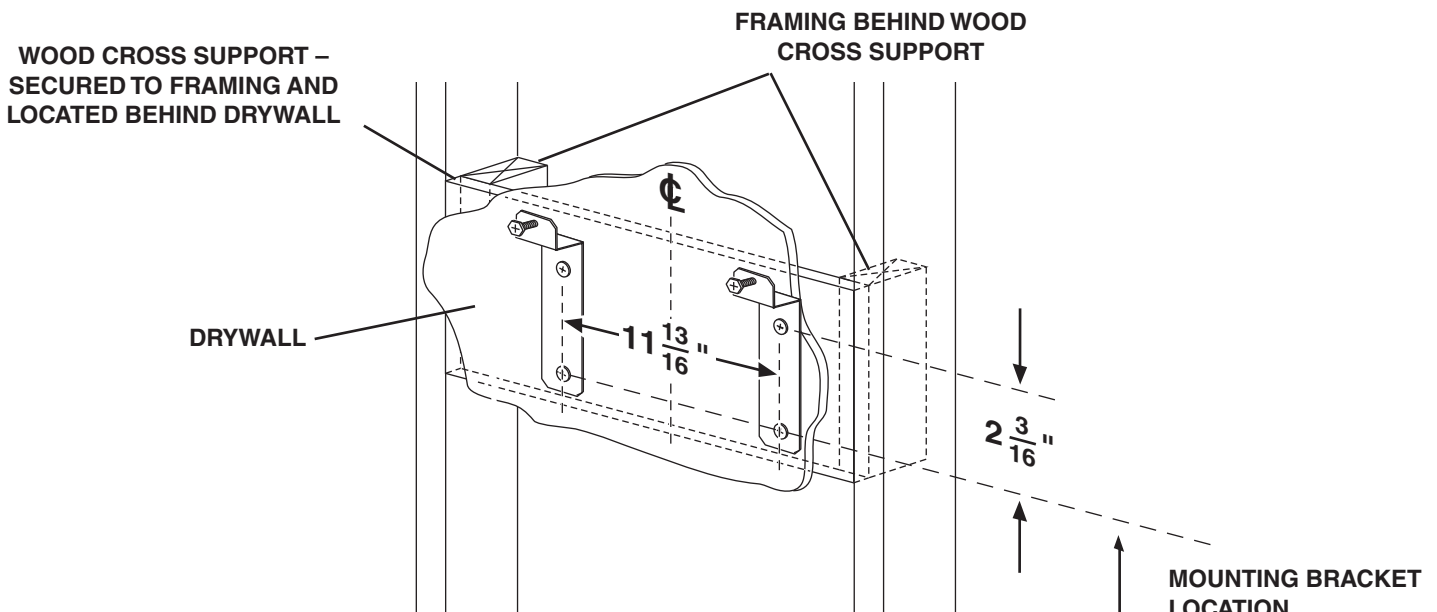
Broan-NuTone LLC Hartford, Wisconsin www.broan.com 800-558-1711
Broan-NuTone Canada Mississauga, Ontario www.broan.ca 877-896-1119

REFERENCE	QTY.	REMARKS	Project
			Location
			Architect
			Engineer
			Contractor
			Submitted by Date

613004 / 619004 WIRING



613004 / 619004 MOUNTING



CEILING HEIGHT	DUCT METHOD	HOOD DISTANCE ABOVE 36" HIGH COOKTOP (SEE NOTE AT RIGHT)						
		24"	25"	26"	27"	28"	29"	30"
		MOUNTING BRACKET LOCATION ABOVE 36" HIGH COOK TOP						
8 FEET	DUCTED OR NONDUCTED	27"	28"	29"	30"			
9 FEET	DUCTED				30"	31"	32"	33"
	NONDUCTED	27"	28"	29"	30"	31"	32"	33"
10 FEET	DUCTED WITH RFX6104 FLUE EXTENSION				30"	31"	32"	33"

NOTE: Minimum hood distance above cooktop must not be less than 24".
 A maximum of 30" above the cooktop is highly recommended for best capture of cooking impurities.
 Distances over 30" above the cooktop are at the installer's and user's discretion - providing that ceiling height and flue length permit.



Broan-NuTone LLC Hartford, Wisconsin www.broan.com 800-558-1711
 Broan-NuTone Canada Mississauga, Ontario www.broan.ca 877-896-1119