

This Owner's Manual is provided and hosted by [Appliance Factory Parts](#).



# BROAN 619004EX Owner's Manual

[Shop genuine replacement parts for BROAN 619004EX](#)

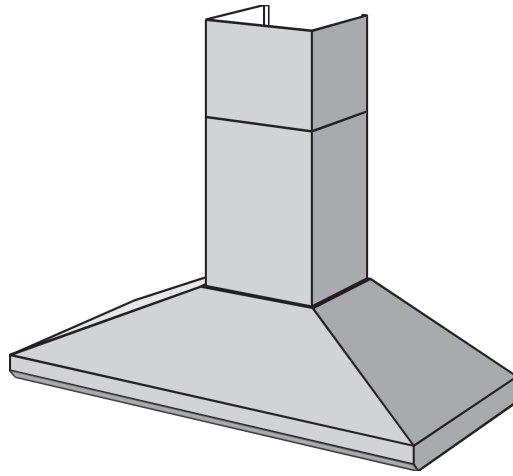


[Find Your BROAN HVAC Parts - Select From 1309 Models](#)

----- Manual continues below -----

**RANGEMASTER**<sup>®</sup>  
by Broan-NuTone

# RM61000EX Series



ENGLISH.....	2
FRANÇAIS.....	13
ESPAÑOL.....	24

Broan-NuTone LLC, 926 West State Street, Hartford, WI 53027  
NuTone, Inc., 4820 Red Bank Road, Cincinnati, OH 45227  
Broan-NuTone Canada, INC.1140 Tristar Drive, Mississauga, Ontario, L5T 1H9

# READ AND SAVE THESE INSTRUCTIONS

**⚠ INTENDED FOR DOMESTIC COOKING ONLY ⚠**

## **⚡ ⚠ WARNING**

**TO REDUCE THE RISK OF FIRE, ELECTRIC SHOCK, OR INJURY TO PERSONS, OBSERVE THE FOLLOWING:**

1. Use this unit only in the manner intended by the manufacturer. If you have questions, contact the manufacturer at the address or telephone number listed in the warranty.
2. Before servicing or cleaning unit, switch power off at service panel and lock service panel to prevent power from being switched on accidentally. When the service disconnecting means cannot be locked, securely fasten a prominent warning device, such as a tag, to the service panel.
3. Installation work and electrical wiring must be done by a qualified person(s) in accordance with all applicable codes and standards, including fire-rated construction codes and standards.
4. Sufficient air is needed for proper combustion and exhausting of gases through the flue (chimney) of fuel burning equipment to prevent backdrafting. Follow the heating equipment manufacturer's guidelines and safety standards such as those published by the National Fire Protection Association (NFPA), and the American Society for Heating, Refrigeration and Air Conditioning Engineers (ASHRAE), and the local code authorities.
5. When cutting or drilling into wall or ceiling, do not damage electrical wiring and other hidden utilities.
6. Ducted fans must always be vented to the outdoors.
7. Do not use this unit with any separate solid-state speed control device.
8. To reduce the risk of fire, use only metal ductwork.
9. This unit must be grounded.

**TO REDUCE THE RISK OF A RANGE TOP GREASE FIRE:**

- A. Never leave surface units unattended at high settings. Boilovers cause smoking and greasy spillovers that may ignite. Heat oils slowly on low or medium settings.
- B. Always turn hood ON when cooking at high heat or when flambeing food (i.e. Crepes Suzette, Cherries Jubilee, Peppercorn Beef Flambe').
- C. Clean ventilating fans frequently. Grease should not be allowed to accumulate on fan or filter.
- D. Use proper pan size. Always use cookware appropriate for the size of the surface element.

## **⚡ ⚠ WARNING**

**TO REDUCE THE RISK OF INJURY TO PERSONS IN THE EVENT OF A RANGE TOP GREASE FIRE, OBSERVE THE FOLLOWING:\***

1. **SMOTHER FLAMES** with a close-fitting lid, cookie sheet, or metal tray, then turn off the burner. **BE CAREFUL TO PREVENT BURNS.** If the flames do not go out immediately, **EVACUATE AND CALL THE FIRE DEPARTMENT.**
2. **NEVER PICK UP A FLAMING PAN** - You may be burned.
3. **DO NOT USE WATER**, including wet dishcloths or towels - violent steam explosion will result.
4. Use an extinguisher **ONLY** if:
  - A. You know you have a Class ABC extinguisher and you already know how to operate it.
  - B. The fire is small and contained in the area where it started.
  - C. The fire department is being called.
  - D. You can fight the fire with your back to an exit.

\* Based on "Kitchen Fire Safety Tips" published by NFPA.

## CAUTION

---

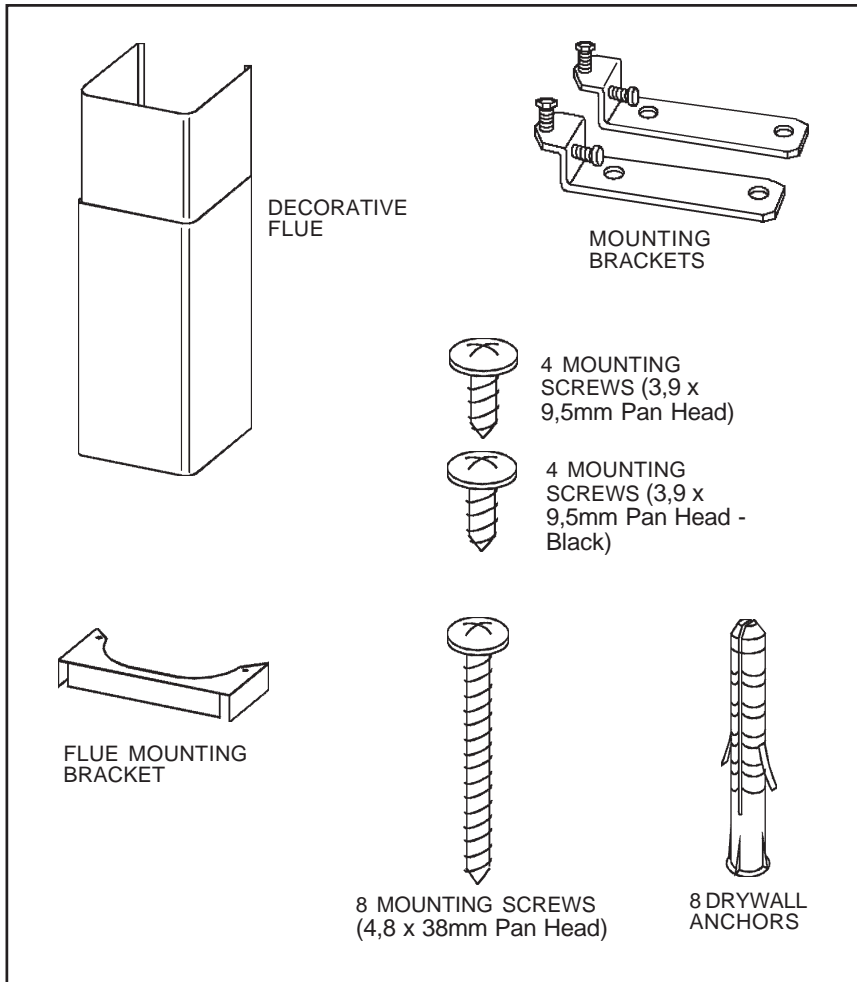
1. To reduce risk of fire and to properly exhaust air, be sure to duct air outside. Do not vent exhaust air into spaces within walls or ceilings or into attics, crawl spaces, or garages.
2. Take care when using cleaning agents or detergents.
3. Avoid using food products that produce flames under the Range Hood.
4. For general ventilating use only. Do not use to exhaust hazardous or explosive materials and vapors.
5. To avoid motor bearing damage and noisy and/or unbalanced impellers, keep drywall spray, construction dust, etc. off power unit.
6. Your hood motor has a thermal overload which will automatically shut off the motor if it becomes overheated. The motor will restart when it cools down. If the motor continues to shut off and restart, have the hood serviced.
7. For best capture of cooking impurities, the bottom of the hood should be a minimum of 24" and a maximum of 30" above the cooking surface.
8. Two installers are recommended because of the large size and weight of this hood.
9. This product is equipped with a thermostat which may start blower automatically. To reduce the risk of injury and to prevent power from being switched on accidentally, switch power off at service panel and lock or tag service panel.
10. Please read specification label on product for further information and requirements.
11. To reduce the risk of fire and electric shock, install this range hood only with Broan Exterior blower models 331H, 332H, 335 or 336, or Broan In-Line Blower models HLB3, HLB6, HLB9 or HLB11. Other Blowers cannot be substituted (Blowers sold separately).

## PREPARE THE HOOD

Unpack hood and check contents.

You should receive:

- 1 - Hood
- 1 - Decorative Flue Assembly
- 1 - Flue Mounting Bracket
- 1 - Parts Bag (B08081196) containing:
  - 2 - Mounting Brackets
  - 8 - Mounting Screws (4,8 x 38mm Pan Head)
  - 4 - Mounting Screws (3,9 x 9,5mm Pan Head)
  - 4 - Mounting Screws (3,9 x 9,5mm Pan Head Black)
  - 8 - Drywall Anchors
- 1 - Installation Instructions



## EXTERIOR OR IN-LINE BLOWER SELECTION

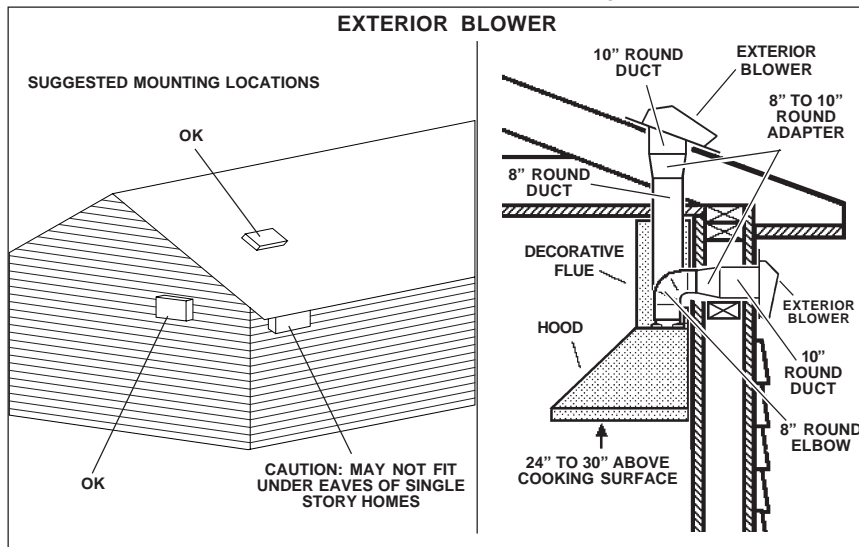
CAUTION: Either an exterior blower or in-line blower may be used with this hood. The RM61000EX hood must be installed with blower models 331H, 332H, 335, 336, HLB3, HLB6, HLB9 or HLB11 only. Other Blowers cannot be substituted (Blowers sold separately).

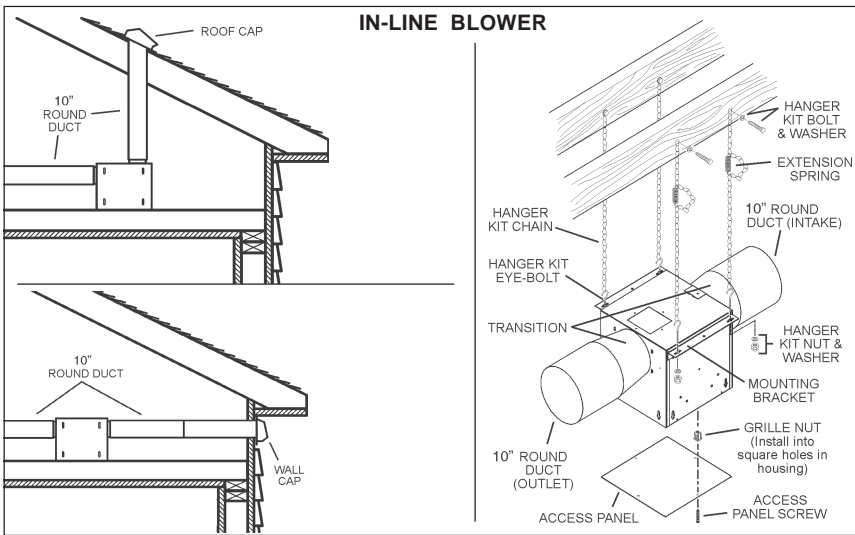
The blower must be **UL** listed for Canadian and **U.S.** use, and evaluated for use with solid state speed control, rated 120V, 60 Hz, 6.0 A max.

## INSTALL THE DUCTWORK

**NOTE: To reduce the risk of fire, use only metal ductwork.**

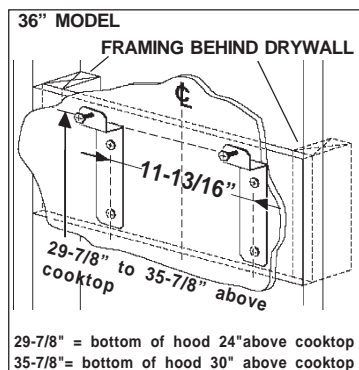
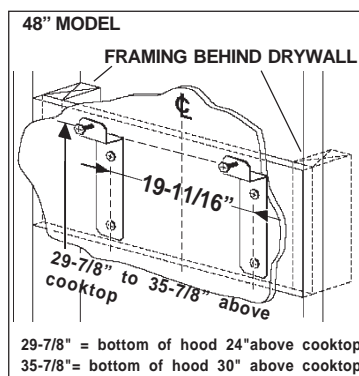
1. Choose the location where the Exterior or In-Line Blower will be mounted. See illustrations below for mounting location suggestions and restrictions.
2. A straight, short duct run will allow the hood to perform most efficiently.
3. Long duct runs, elbows and transitions will reduce the performance of the hood. Use as few of them as possible. Larger ducting may be required for best performance with long duct runs.
4. After the Exterior or In-Line Blower has been installed, connect round metal ductwork and work back towards the hood location. Use duct tape to seal joints between ductwork sections.
5. An 8" round to 10" round transition (Model 414) is required. For best air performance, install the transition as close to the range hood as possible.





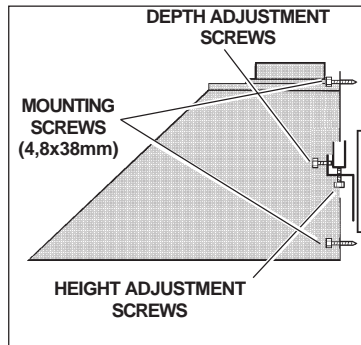
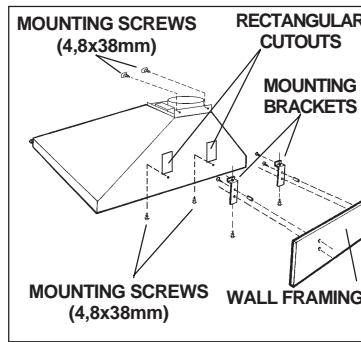
## INSTALL MOUNTING BRACKETS

1. Construct wood wall **framing** that is flush with interior surface of wall studs. Make sure:
  - a) the framing is centered over installation location.
  - b) the height of the framing will allow the **mounting brackets** to be secured to the framing within the dimensions shown.
2. After wall surface is finished, secure mounting brackets to framing using dimensions shown.



## INSTALL THE HOOD

1. Hang the hood from the brackets through the **rectangular cut-outs** on the back of the hood. Cut-outs are larger than the brackets to allow for horizontal adjustment. The bottom of the hood should be 24" to 30" above the cooking surface.
2. **Height adjustment screws** provide vertical adjustment.
3. **Depth adjustment screws** provide horizontal adjustment.
4. Secure the hood with **mounting screws** (4,8x38mm). Use drywall anchors, provided, if wall studs or framing are not available.



## WIRING

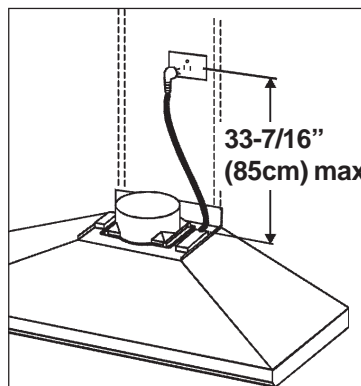
**Note:** This range hood must be properly grounded. The unit should be installed by a qualified electrician in accordance with all applicable national and local electrical codes.

### GROUNDING INSTRUCTIONS

This appliance must be grounded. In the event of an electrical short circuit, grounding reduces the risk of electric shock by providing an escape wire for the electric current. This appliance is equipped with a cord having a grounding wire with a grounding plug. The plug must be plugged into an outlet that is properly installed and grounded.

**WARNING** - Improper grounding can result in a risk of electric shock.

Consult a qualified electrician if the grounding instructions are not completely understood, or if doubt exists as to whether the appliance is properly grounded. Do not use an extension cord. If the power supply cord is too short, have a qualified electrician install an outlet near the appliance.



Set the electrical power supply within the space covered by the decorative flues. Position the power socket at a maximum distance of 33-7/16" (85 cm) from where the lead exits from the hood (see illustration alongside). Make sure this does not interfere with the decorative flues (where the flue touches the wall).

Fit the plug into the power socket.

**Blower connection at hood:**

1. Run 2-wire plus ground power cable from the exterior or In-Line blower to the hood's wiring box marked "motor connection".
2. Remove the cover from the wiring box and remove one knockout.
3. Feed 6" of cable through the knockout and secure the cable to the wiring box with an appropriate connector.
4. Make electrical connections at the hood. Connect white-to-white, **red-to-black** and green-to-ground.
5. Replace the wiring box cover and screws. make sure wires are not pinched between the cover and box.

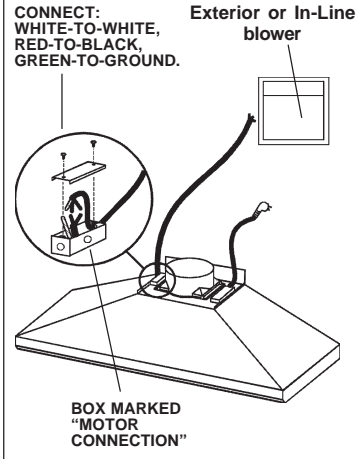
**Exterior or In-Line blower connection:**

1. Make electrical connections at the exterior or In-Line blower (see instructions provided with the exterior or In-Line blower).

**Power connection at hood:**

1. Plug the power cord into the electrical wall receptacle.

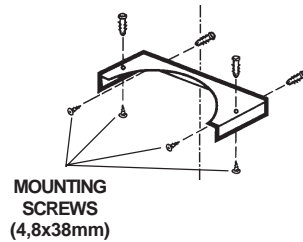
**BLOWER CONNECTION AT HOOD**



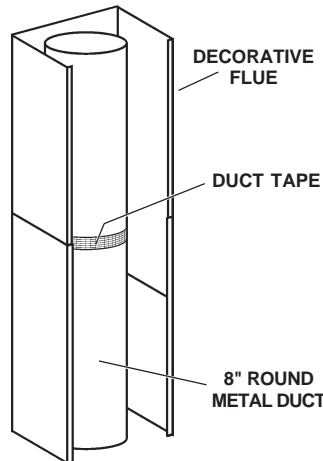
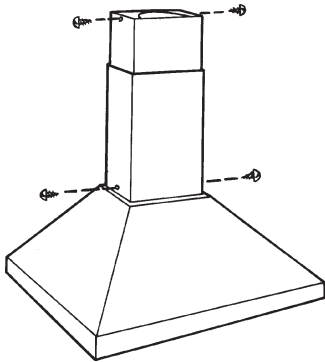
**CONNECT DUCTWORK**

1. Use mounting screws (4,8x38mm) and drywall anchors to secure **flue mounting bracket** to the ceiling and wall as shown.
2. Use **8" round metal duct** to connect the discharge collar on the hood to the ductwork above.
3. Use **duct tape** to make all joints secure and air tight.
4. Connect the upper flue to the bracket with mounting screws (3,9x9,5mm).
5. Slide the lower flue downward, until it fits properly around hood.
6. Secure lower flue to hood with mounting screws (3,9x9,5mm).

**FLUE MOUNTING BRACKET**



**FASTEN FLUE TO HOOD AND BRACKET WITH MOUNTING SCREWS (3,9x9,5mm)**



## MAINTENANCE

Proper maintenance of the Range Hood will assure proper performance of the unit.

### **Grease Filters**

The **grease filters** should be cleaned frequently. Use a warm detergent solution. Grease filters are dishwasher safe.

Remove filter by pushing filter towards the back of hood and rotating filter downward.

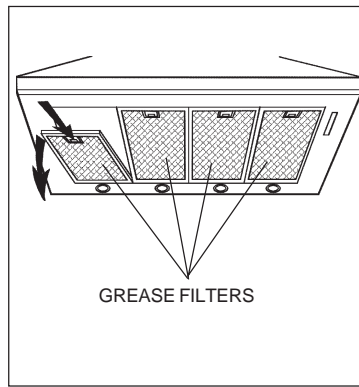
### **Hood Cleaning**

Stainless steel is one of the easiest materials to keep clean. Occasional care will help preserve its fine appearance.

Cleaning tips:

- Hot water with soap or detergent is all that is usually needed.
- Follow all cleaning by rinsing with clear water. Wipe dry with a clean, soft cloth to avoid water marks.
- For discolorations or deposits that persist, use a non-scratching household cleanser or stainless steel polishing powder with a little water and a soft cloth.
- For stubborn cases, use a plastic scouring pad or soft bristle brush together with cleanser and water. Rub lightly in direction of polishing lines or "grain" of the stainless finish. Avoid using too much pressure which may mar the surface.
- **DO NOT** allow deposits to remain for long periods of time.
- **DO NOT** use ordinary steel wool or steel brushes. Small bits of steel may adhere to the surface causing rust.
- **DO NOT** allow salt solutions, disinfectants, bleaches, or cleaning compounds to remain in contact with stainless steel for extended periods. Many of these compounds contain chemicals which may be harmful. Rinse with water after exposure and wipe dry with a clean cloth.

Painted surfaces should be cleaned with warm water and mild detergent only.



## OPERATION

### Controls

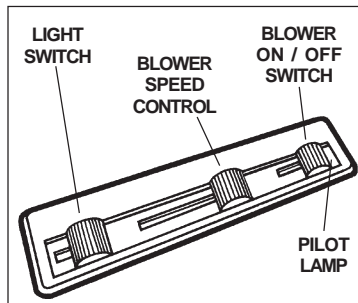
The hood is operated using the slide controls under the front edge of the hood.

The **light switch** turns the halogen lights on and off.

The **blower on / off switch** turns the blower on to the running speed set by the blower speed control. The blower must be turned on and off using this switch.

The **blower speed control** changes the speed of the blower from 1 to 3 position.

The **pilot lamp** lights up whenever the blower is on.



### HEAT SENTRY™

Your hood is equipped with a HEAT SENTRY™ thermostat. This thermostat is a device that will turn on or speed up the blower if it senses excessive heat above the cooking surface.

1) If blower is OFF - it turns blower ON to HIGH speed.

2) If blower is ON at a lower speed setting - it turns blower up to HIGH speed.

When the temperature level drops to normal, the blower will return to its original setting.

### WARNING

**The HEAT SENTRY thermostat can start the blower even if the hood is turned OFF. When this occurs, it is impossible to turn the blower OFF with its switch. If you must stop the blower, do it from the main electrical panel.**

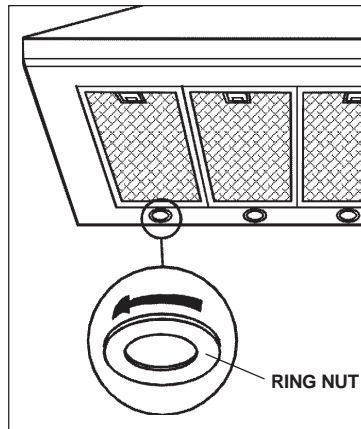
## HALOGEN BULBS

This range hood requires 2 or 4 halogen bulbs (Type JC, 12Volt, 20Watt Max, G-4 Base).

**ALWAYS SWITCH OFF THE ELECTRICITY SUPPLY BEFORE CARRYING OUT ANY OPERATIONS ON THE APPLIANCE.**

To change bulbs:

1. Loosen the ring nut by turning it counterclockwise.
2. Pull the bulb downwards to remove - DO NOT ROTATE. **CAUTION: BULB MAY BE HOT!**
3. Replace with Type JC, 12Volt, 20Watt Max, G-4 Base halogen bulb. Do not touch replacement bulb with bare hands!



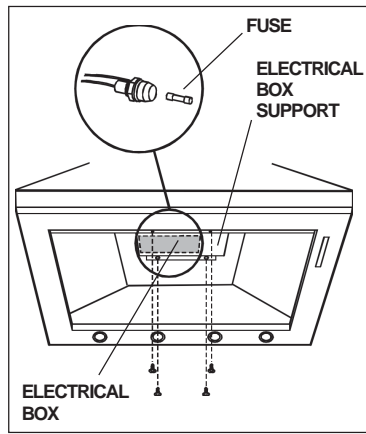
## FUSE REPLACEMENT

### SWITCH OFF THE ELECTRICITY SUPPLY.

Remove the grease filters.

Remove the electrical box support and open the electrical box.

Replace with the same type of fuse (5x20mm, 5A, 125V).



## WARRANTY

### **BROAN-NUTONE LLC ONE YEAR LIMITED WARRANTY**

Broan-NuTone LLC warrants to the original consumer purchaser of its products that such products will be free from defects in materials or workmanship for a period of one year from the date of original purchase. THERE ARE NO OTHER WARRANTIES, EXPRESS OR IMPLIED, INCLUDING, BUT NOT LIMITED TO, IMPLIED WARRANTIES OR MERCHANTABILITY OR FITNESS FOR A PARTICULAR PURPOSE.

During this one-year period, Broan-NuTone LLC will, at its option, repair or replace, without charge, any product or part which is found to be defective under normal use and service.

THIS WARRANTY DOES NOT EXTEND TO FLUORESCENT LAMP STARTERS, TUBES, HALOGEN AND INCANDESCENDT BULBS. This warranty does not cover (a) normal maintenance and service or (b) any products or parts which have been subject to misuse, negligence, accident, improper maintenance or repair (other than by Broan-NuTone LLC), faulty installation or installation contrary to recommended installation instructions.

The duration of any implied warranty is limited to the one-year period as specified for the express warranty. Some states do not allow limitation on how long an implied warranty lasts, so the above limitation may not apply to you.

BROAN-NUTONE LLC'S OBLIGATION TO REPAIR OR REPLACE, AT BROAN-NUTONE LLC'S OPTION, SHALL BE THE PURCHASER'S SOLE AND EXCLUSIVE REMEDY UNDER THIS WARRANTY. BROAN-NUTONE LLC SHALL NOT BE LIABLE FOR INCIDENTAL, CONSEQUENTIAL OR SPECIAL DAMAGES ARISING OUT OF OR IN CONNECTION WITH PRODUCT USE OR PERFORMANCE. Some states do not allow the exclusion or limitation of incidental or consequential damages, so the above limitation or exclusion may not apply to you.

This warranty gives you specific legal rights, and you may also have other rights, which vary from state to state. This warranty supersedes all prior warranties.

To qualify for warranty service, you must (a) notify Broan-NuTone LLC at the address stated below or telephone: 1-800-637-1453, (b) give the model number and part identification and (c) describe the nature of any defect in the product or part. At the time of requesting warranty service, you must present evidence of the original purchase date.

**Broan-NuTone LLC**, 926 West State Street, Hartford, WI 53027 (1-800-637-1453)

**NuTone, Inc.**, 4820 Red Bank Road, Cincinnati, OH 45227 (1-800-543-8687)

**Broan-NuTone Canada, Inc.**, 1140 Tristar Drive, Mississauga, Ontario, L5T 1H9 (1-888-882-7626)

## SERVICE PARTS

**MODEL RM61000EX** - Parts for stainless steel models shown. For service parts for black, white, polished brass, or brushed copper models, call Broan Customer Service.

KEY NO.	PART NO.	DESCRIPTION
9	B08087135	Grease Filter (n.3) - 36" model
9	B08087136	Grease Filter (n. 4) - 48" model
16	BE3345326	Electrical Box Support
19	B03295005	Transformer Protection
26	B02300891	Halogen Lamp Bulb
30	B03292291	Controls Protection
37	B02300787	Heat Sentry
39	B03294033	Electrical Box Cover
56	B03292465	Discharge collar
57	B02011004	Damper Flap
60	B02300249	Feeder Cable
113	B03202433	Nameplate
115	BE3495228	Wiring Box
116	BE3334252	Wiring Box Cover
118	BE3341301	Decorative Flue Bottom
119	BE3341311	Decorative FlueTop
120	BE3300517	Flue Mounting Bracket
144	B03292287	Wire Clamp
145	B032920170	Feeder Cable Connection Box
146	B032920180	Feeder Cable Connection Box Cover
147	BR2300132	Junction Clamp
151	B032920200	Electrical Box Wires Stop
165	B03294781	Electrical Box
165	B03295008	Electrical Board Box
166	B08086141	Electrical Board
166	B08086668	Electrical Board
195	BE3403629	Upper Support
208	B02300783	Transformer (36" Model)
208	B02300729	Transformer (48" Model)
223	B03202294	Switch Button
407	B08091607	Support
472	BE3345233	Wiring Box Support
474	B02300789	Halogen Lamp Housing
477	B03295006	Transformer Protection Cover
998	B08081196	Hardware Package
*	B06108080	Switch Box Assembly for model 48" (Includes Keys No. 222, 229, 223, 224, 225, 226, 227, 228, 230)
*	B06108083	Switch Box Assembly for model 36" (Includes Keys No. 222, 229, 223, 224, 225, 226, 227, 228, 230)
*	B08085018	Damper Assembly (Includes Key Nos 56, 57)
-	B02300782	Fuse
-	B02300674	Fuse Holder

\* Not shown assembled.

**SERVICE PARTS - LISTE PIECES DE RECHANGE -  
LISTA DE PIEZAS DE RECAMBIO**

**MODEL 61000 EX**

