

This Owner's Manual is provided and hosted by [Appliance Factory Parts](#).



BROAN RMP17004 Owner's Manual

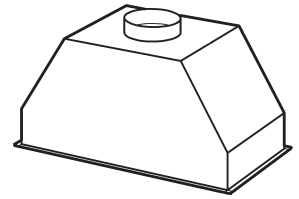
[Shop genuine replacement parts for BROAN RMP17004](#)



[Find Your BROAN HVAC Parts - Select From 1309 Models](#)

----- Manual continues below -----

RMP17004 POWER PACK



Designed to fit flush with the bottom of a cabinet or custom hood for an exceptional custom mounted look.

FEATURES

- 430 Stainless Steel #4 Brushed facing
- Fully enclosed bottom
- 6" round duct connector/backdraft damper
- 400 cfm centrifugal blower
- Multi-speed control
- Halogen lighting, Type GU10, MR16, shielded, 120V 50W max. (2 bulbs included)
- Dishwasher-safe aluminum filter features a quick-release latch and professional style appearance
- 27-9/16" wide design fits cabinet or custom hood that's 30" to 42" wide
- Heat Sentry™ - automatically turns blower to high speed when excess cooking heat is detected

OPTIONS

- Replacement grease filter
- Non-ducted filter (Model FILTEREB40)
- Stainless liner (RML7030L, RML7036L, RML7048L, RML7030S, RML7036S, RML7048S)
- Exterior blower version (RMPE7004) available, providing 600, 900, 1200, or 1500 CFM exhaust

SPECIFICATIONS

VOLTS	AMPS	CFM	SONES	DUCT
120	3.53	400	9.0	6" round



Broan-NuTone LLC, 926 West State Street, Hartford, WI 53027 (1-800-637-1453)

NuTone, Inc., 4820 Red Bank Road, Cincinnati, OH 45227 (1-800-543-8687)

Broan-NuTone Canada, Inc., 1140 Tristar Drive, Mississauga, Ontario, L5T 1H9 (1-888-882-7626)

TYPICAL SPECIFICATION

Range hood shall be Broan Model RMP17004.

Unit shall be convertible between ducted (using a washable aluminum filter) and non-ducted (using a non-ducted filter).

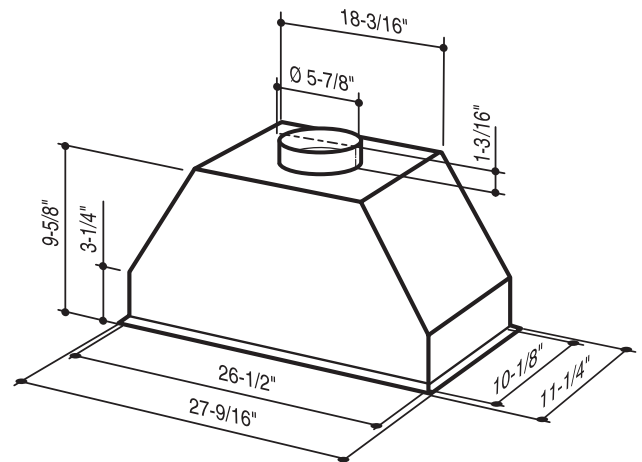
Motor to be permanently lubricated.

Unit shall have multi-speed fan switch and separate light switch.

Bottom shall be fully enclosed.

Air delivery shall be no less than 400 CFM.

Unit shall be U.L. and cUL listed.



Mount power pack so bottom of unit is 24" to 30" above cooking surface.

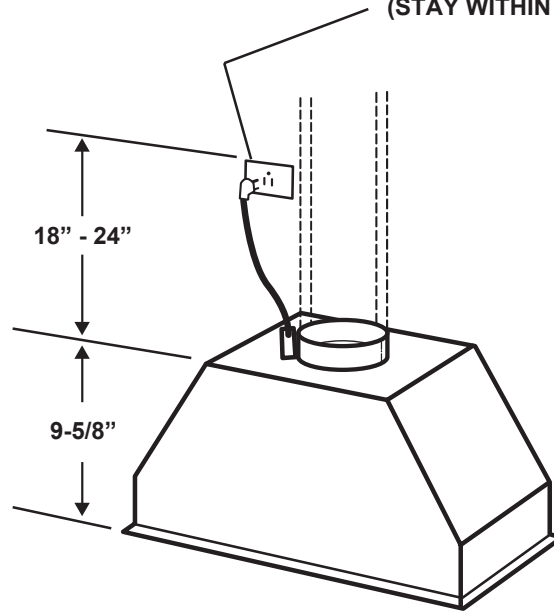


HVI-2100 CERTIFIED RATINGS comply with new testing technologies and procedures prescribed by the Home Ventilating Institute, for off-the-shelf products, as they are available to consumers. Product performance is rated at 0.1 in. static pressure, based on tests conducted in AMCA's state-of-the-art test laboratory. Sones are a measure of humanly-perceived loudness, based on laboratory measurements.

REFERENCE	QTY.	REMARKS	Project
			Location
			Architect
			Engineer
			Contractor
			Submitted by Date

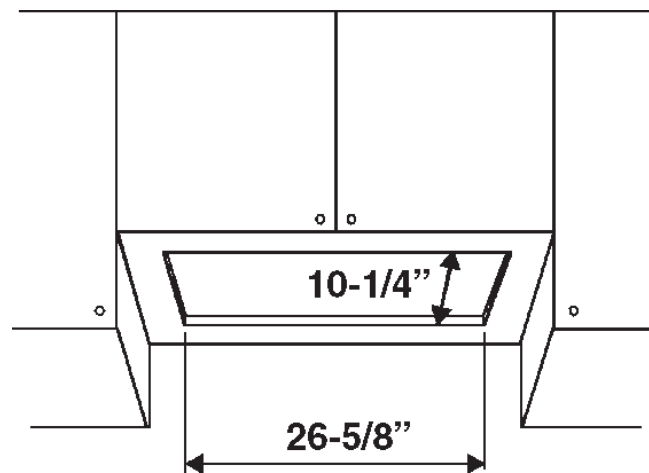
RMP17004 MOUNTING

120 VOLT 60 HZ GROUNDED WALL OUTLET
OFFSET FROM DUCT CENTER LINE
(STAY WITHIN INSIDE CABINET DIMENSIONS)



RMP17004 MOUNTING

HOLE IN THE BOTTOM
OF THE CABINET



BROAN® *Elite*

Broan-NuTone LLC, 926 West State Street, Hartford, WI 53027 (1-800-637-1453)

NuTone, Inc., 4820 Red Bank Road, Cincinnati, OH 45227 (1-800-543-8687)

Broan-NuTone Canada, Inc., 1140 Tristar Drive, Mississauga, Ontario, L5T 1H9 (1-888-882-7626)