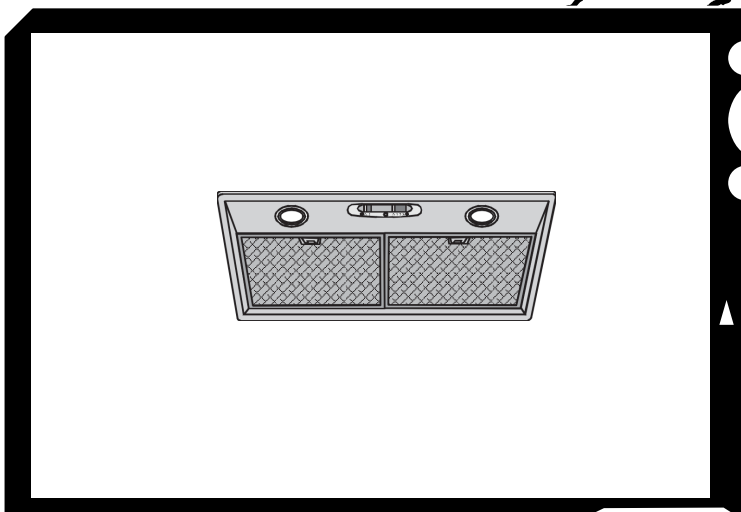


BROAN[®] *Elite*



RMPE Series

| | |
|---------------|----|
| ENGLISH..... | 2 |
| FRANÇAIS..... | 11 |
| ESPAÑOL..... | 20 |

Broan-NuTone LLC. 926 West State Street, Hartford, WI 53027

NuTone Inc., 4820 Red Bank Road, Cincinnati, OH 45227

Broan-NuTone Canada Inc. 1140 Tristar Drive, Mississauga, Ontario L5T 1H9

READ AND SAVE THESE INSTRUCTIONS

 **INTENDED FOR DOMESTIC COOKING ONLY** 

WARNING

TO REDUCE THE RISK OF FIRE, ELECTRIC SHOCK, OR INJURY TO PERSONS, OBSERVE THE FOLLOWING:

1. Use this unit only in the manner intended by the manufacturer. If you have questions, contact the manufacturer at the address or telephone number listed in the warranty.
2. Before servicing or cleaning unit, switch power off at service panel and lock service panel to prevent power from being switched on accidentally. When the service disconnecting means cannot be locked, securely fasten a prominent warning device, such as a tag, to the service panel.
3. Installation work and electrical wiring must be done by a qualified person(s) in accordance with all applicable codes and standards, including fire-rated construction codes and standards.
4. Sufficient air is needed for proper combustion and exhausting of gases through the flue (chimney) of fuel burning equipment to prevent backdrafting. Follow the heating equipment manufacturer's guidelines and safety standards such as those published by the National Fire Protection Association (NFPA), and the American Society for Heating, Refrigeration and Air Conditioning Engineers (ASHRAE), and the local code authorities.
5. When cutting or drilling into wall or ceiling, do not damage electrical wiring and other hidden utilities.
6. Ducted fans must always be vented to the outdoors.
7. Do not use this unit with any separate solid-state speed control device.
8. To reduce the risk of fire, use only metal ductwork.
9. This unit must be grounded.

TO REDUCE THE RISK OF A RANGE TOP GREASE FIRE:

- A. Never leave surface units unattended at high settings. Boilovers cause smoking and greasy spillovers that may ignite. Heat oils slowly on low or medium settings.
- B. Always turn hood ON when cooking at high heat or when flambeing food (i.e. Crepes Suzette, Cherries Jubilee, Peppercorn Beef Flambe').
- C. Clean ventilating fans frequently. Grease should not be allowed to accumulate on fan or filter.
- D. Use proper pan size. Always use cookware appropriate for the size of the surface element.

WARNING

TO REDUCE THE RISK OF INJURY TO PERSONS IN THE EVENT OF A RANGE TOP GREASE FIRE, OBSERVE THE FOLLOWING:*

1. **SMOTHER FLAMES** with a close-fitting lid, cookie sheet, or metal tray, then turn off the burner. **BE CAREFUL TO PREVENT BURNS.** If the flames do not go out immediately, **EVACUATE AND CALL THE FIRE DEPARTMENT.**
2. **NEVER PICK UP A FLAMING PAN** - You may be burned.
3. **DO NOT USE WATER**, including wet dishcloths or towels - violent steam explosion will result.
4. Use an extinguisher **ONLY** if:
 - A. You know you have a Class ABC extinguisher and you already know how to operate it.
 - B. The fire is small and contained in the area where it started.
 - C. The fire department is being called.
 - D. You can fight the fire with your back to an exit.

* Based on "Kitchen Fire Safety Tips" published by NFPA.

CAUTION

1. To reduce risk of fire and to properly exhaust air, be sure to duct air outside. Do not vent exhaust air into spaces within walls or ceilings or into attics, crawl spaces, or garages.
2. Take care when using cleaning agents or detergents.
3. Avoid using food products that produce flames under the Range Hood.
4. For general ventilating use only. Do not use to exhaust hazardous or explosive materials and vapors.
5. To avoid motor bearing damage and noisy and/or unbalanced impellers, keep drywall spray, construction dust, etc. off power unit.
6. Your hood motor has a thermal overload which will automatically shut off the motor if it becomes overheated. The motor will restart when it cools down. If the motor continues to shut off and restart, have the hood serviced.
7. For best capture of cooking impurities, the bottom of the hood should be a minimum of 24" and a maximum of 30" above the cooking surface.
8. Two installers are recommended because of the large size and weight of this hood.
9. This product is equipped with a thermostat which may start blower automatically. To reduce the risk of injury and to prevent power from being switched on accidentally, switch power off at service panel and lock or tag service panel.
10. Use with approved cord-connection kit only.
11. Please read specification label on product for further information and requirements.
12. To reduce the risk of fire and electric shock, install this range hood only with Broan Exterior blower models 331H, 332H, 335 or 336, or Broan In-Line Blower models HLB3, HLB6, HLB9 or HLB11. Other Blowers cannot be substituted (Blowers sold separately).

PREPARE THE HOOD

Unpack hood and check contents.

You should receive:

- 1 - Hood
- 1 - Parts Bag (B080810168) containing:
 - 4 - Mounting Screws (3,2 x 13mm)
- 1 - Installation Instructions



4 MOUNTING
SCREWS (3,2 x 13mm)

EXTERIOR OR IN-LINE BLOWER SELECTION

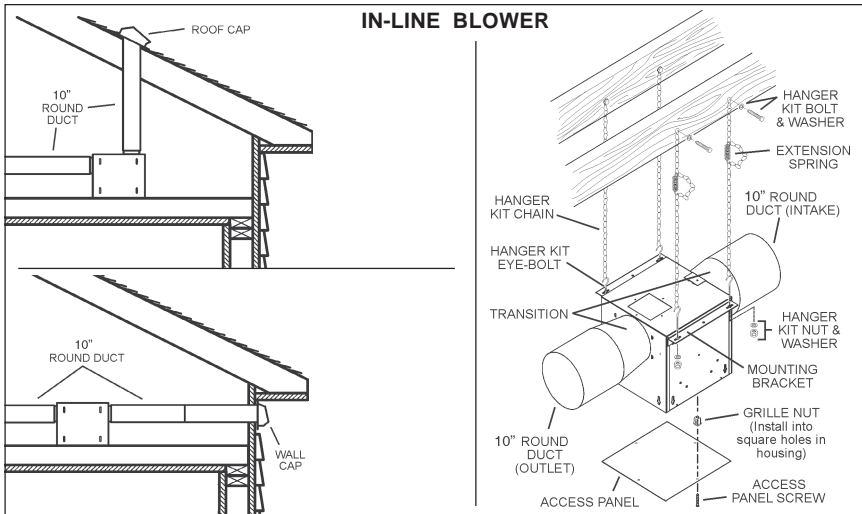
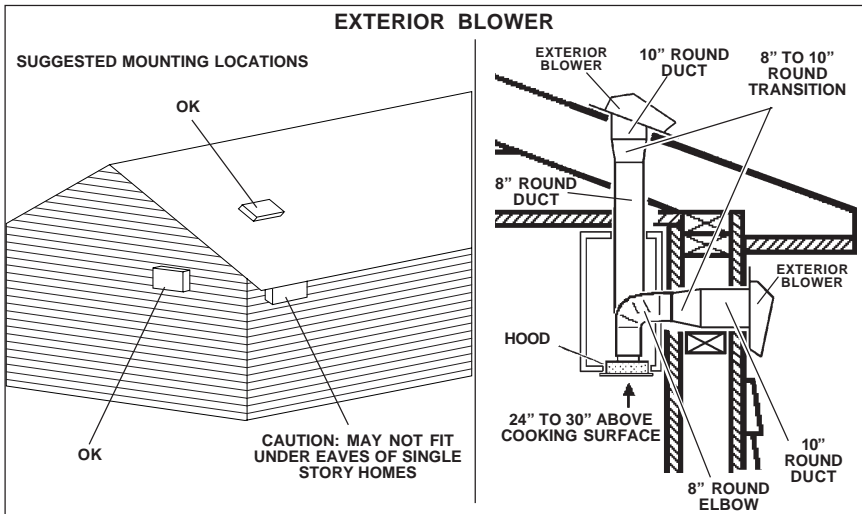
CAUTION: Either an exterior blower or in-line blower may be used with this hood. The RMPE hood must be installed with blower models 331H, 332H, 335, 336, HLB3, HLB6, HLB9 or HLB11 only. Other Blowers cannot be substituted (Blowers sold separately).

The blower must be **UL** listed for Canadian and **U.S.** use, and evaluated for use with solid state speed control, rated 120V, 60 Hz, 6.0 A max.

INSTALL THE DUCTWORK

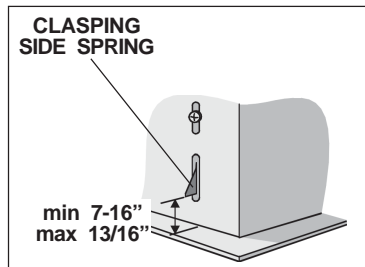
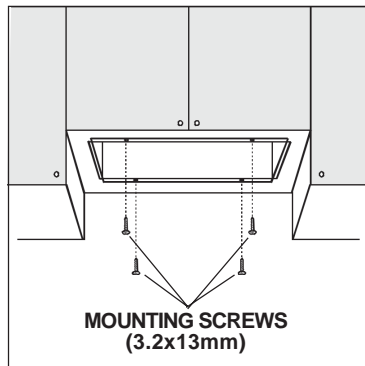
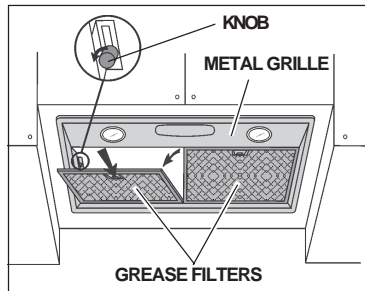
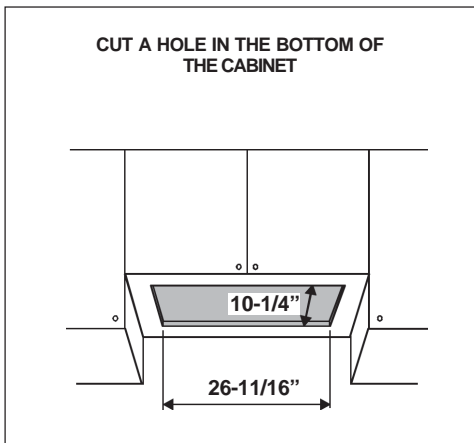
NOTE: To reduce the risk of fire, use only metal ductwork.

1. Choose the location where the Exterior or In-Line Blower will be mounted. See illustrations below for mounting location suggestions and restrictions.
2. A straight, short duct run will allow the hood to perform most efficiently.
3. Long duct runs, elbows and transitions will reduce the performance of the hood. Use as few of them as possible. Larger ducting may be required for best performance with long duct runs.
4. After the Exterior or In-Line Blower has been installed, connect round metal ductwork and work back towards the hood location. Use duct tape to seal joints between ductwork sections.
5. An 8" round to 10" round transition (Model 414) is required. For best air performance, install the transition as close to the range hood as possible.



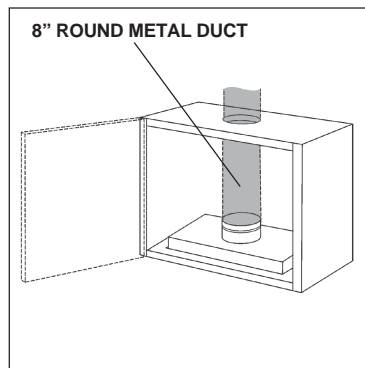
INSTALL THE HOOD

1. Remove the grease filters by pushing filter towards the back of hood and rotating filter downward.
2. Remove the metal grille by turning the (2) knobs counterclockwise.
3. Cut a hole in the bottom of the cabinet, using the dimensions shown.
4. Adjust the position of the clamping side spring by means of the proper screw, according to the thickness of the panel to which it is going to be anchored.
5. Insert the hood in the cabinet and lock it by means of the side spring.
6. Use the holes in the casing of the hood to attach it using 4 mounting screws (3.2x13mm).
7. Replace grille and filters.



CONNECT DUCTWORK

1. Connect **8" round metal duct** to the discharge collar on the hood.
2. Use **duct tape** to make all joints secure and air tight.



WIRING

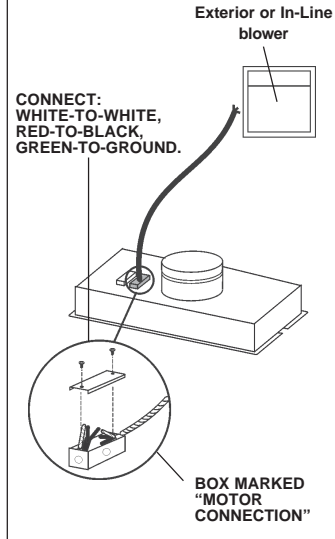
⚠ CAUTION: All electrical wiring should be done by a qualified person (s) in accordance with all applicable codes and standards. This range hood must be properly grounded.

Do not turn power on at service panel until all wires have been connected.

Blower connection at hood:

1. Run conductors (2-wire plus ground) from the exterior or In-Line blower to the hood's wiring box marked "motor connection".
2. Remove the cover from the wiring box and remove one knockout.
3. Secure the conduit to the wiring box through a conduit connector.
4. Make electrical connections at the hood. Connect white-to-white, **red-to-black** and green-to-ground.
5. Replace the wiring box cover and screws. make sure wires are not pinched between the cover and box.

BLOWER CONNECTION AT HOOD



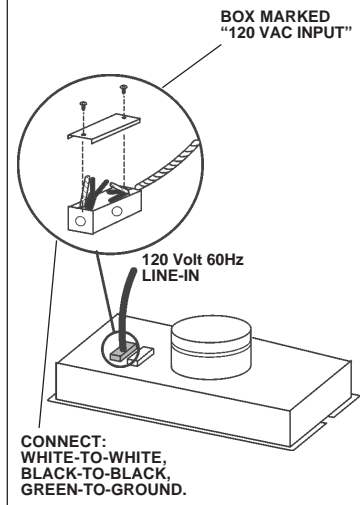
Exterior or In-Line blower connection:

1. Make electrical connections at the exterior or In-Line blower (see instructions provided with the exterior or In-Line blower).

Power connection at hood:

1. Run supply conductors to the hood wiring box marked "120VAC input".
2. Remove the cover from the wiring box and remove one knockout.
3. Secure the conduit to the wiring box through a conduit connector.
4. Make electrical connections at the hood. Connect white-to-white, **black-to-black** and green-to-ground.
5. Replace the wiring box cover and screws. Make sure wires are not pinched between the cover and box.

POWER CONNECTION AT HOOD



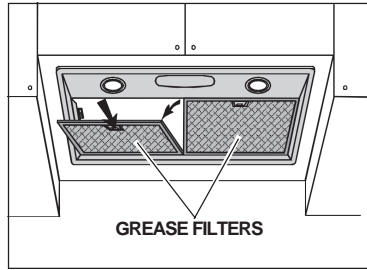
MAINTENANCE

Proper maintenance of the Range Hood will assure proper performance of the unit.

Grease Filters

The **grease filters** should be cleaned frequently. Use a warm detergent solution. Grease filters are dishwasher safe.

Remove filter by pushing filter towards the back of hood and rotating filter downward.



Hood Cleaning

Stainless steel is one of the easiest materials to keep clean. Occasional care will help preserve its fine appearance.

Cleaning tips:

- Hot water with soap or detergent is all that is usually needed.
- Follow all cleaning by rinsing with clear water. Wipe dry with a clean, soft cloth to avoid water marks.
- For discolorations or deposits that persist, use a non-scratching household cleanser or stainless steel polishing powder with a little water and a soft cloth.
- For stubborn cases, use a plastic scouring pad or soft bristle brush together with cleanser and water. Rub lightly in direction of polishing lines or "grain" of the stainless finish. Avoid using too much pressure which may mar the surface.
- **DO NOT** allow deposits to remain for long periods of time.
- **DO NOT** use ordinary steel wool or steel brushes. Small bits of steel may adhere to the surface causing rust.
- **DO NOT** allow salt solutions, disinfectants, bleaches, or cleaning compounds to remain in contact with stainless steel for extended periods. Many of these compounds contain chemicals which may be harmful. Rinse with water after exposure and wipe dry with a clean cloth.

Painted surfaces should be cleaned with warm water and mild detergent only.

OPERATION

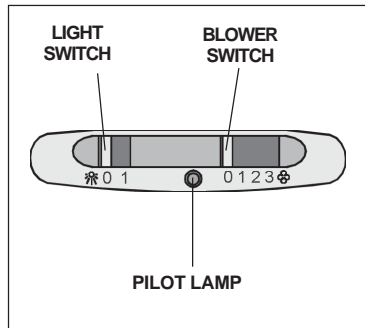
Controls

The hood is operated using the slide controls under the bottom of the hood.

The **light switch** turns the lamps on and off.

The **blower switch** makes it possible to select the motor operating speed. Position 0: motor off.

The **pilot lamp** lights up whenever the blower is on.



HEAT SENTRY™

Your hood is equipped with a HEAT SENTRY™ thermostat. This thermostat is a device that will turn on or speed up the blower if it senses excessive heat above the cooking surface.

1) If blower is OFF - it turns blower ON to HIGH speed.

2) If blower is ON at a lower speed setting - it turns blower up to HIGH speed.

When the temperature level drops to normal, the blower will return to its original setting.

WARNING

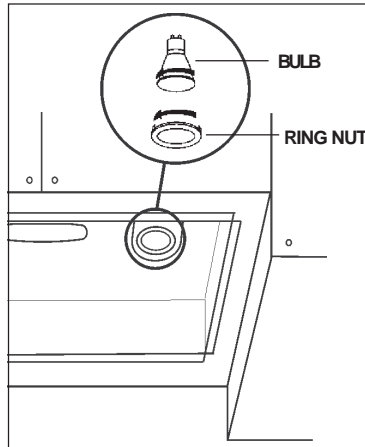
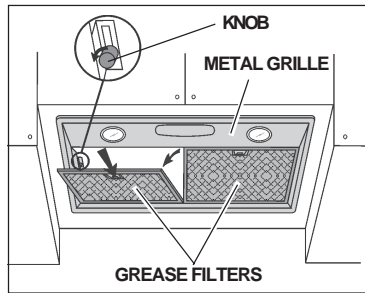
The HEAT SENTRY thermostat can start the blower even if the hood is turned OFF. When this occurs, it is impossible to turn the blower OFF with its switch. If you must stop the blower, do it from the main electrical panel.

HALOGEN BULBS

This range hood requires two halogen bulbs (Type GU10, MR16 shielded, 120V, 50W).

ALWAYS SWITCH OFF THE ELECTRICITY SUPPLY BEFORE CARRYING OUT ANY OPERATIONS ON THE APPLIANCE.

1. Remove the grease filters.
2. Remove the metal grille by turning the (2) knobs counterclockwise.
3. Loosen the ring nut by turning it counterclockwise.
4. Loosen the bulb by turning it counterclockwise; pull the bulb downwards to remove. **CAUTION: BULB MAY BE HOT!**
5. Replace with Type GU10, MR16 shielded, 120V, 50W halogen bulb.



WARRANTY

BROAN-NUTONE LLC ONE YEAR LIMITED WARRANTY

Broan-NuTone LLC warrants to the original consumer purchaser of its products that such products will be free from defects in materials or workmanship for a period of one year from the date of original purchase. THERE ARE NO OTHER WARRANTIES, EXPRESS OR IMPLIED, INCLUDING, BUT NOT LIMITED TO, IMPLIED WARRANTIES OR MERCHANT ABILITY OR FITNESS FOR A PARTICULAR PURPOSE.

During this one-year period, Broan-NuTone LLC will, at its option, repair or replace, without charge, any product or part which is found to be defective under normal use and service.

THIS WARRANTY DOES NOT EXTEND TO FLUORESCENT LAMP STARTERS, TUBES, HALOGEN AND INCANDESCENT BULBS. This warranty does not cover (a) normal maintenance and service or (b) any products or parts which have been subject to misuse, negligence, accident, improper maintenance or repair (other than by Broan-NuTone LLC), faulty installation or installation contrary to recommended installation instructions.

The duration of any implied warranty is limited to the one-year period as specified for the express warranty. Some states do not allow limitation on how long an implied warranty lasts, so the above limitation may not apply to you.

BROAN-NUTONE LLC'S OBLIGATION TO REPAIR OR REPLACE, AT BROAN-NUTONE LLC'S OPTION, SHALL BE THE PURCHASER'S SOLE AND EXCLUSIVE REMEDY UNDER THIS WARRANTY. BROAN-NUTONE LLC SHALL NOT BE LIABLE FOR INCIDENTAL, CONSEQUENTIAL OR SPECIAL DAMAGES ARISING OUT OF OR IN CONNECTION WITH PRODUCT USE OR PERFORMANCE. Some states do not allow the exclusion or limitation of incidental or consequential damages, so the above limitation or exclusion may not apply to you.

This warranty gives you specific legal rights, and you may also have other rights, which vary from state to state. This warranty supersedes all prior warranties.

To qualify for warranty service, you must (a) notify Broan-NuTone LLC at the address stated below or telephone: 1-800-637-1453, (b) give the model number and part identification and (c) describe the nature of any defect in the product or part. At the time of requesting warranty service, you must present evidence of the original purchase date.

Broan-NuTone LLC, 926 West State Street, Hartford, WI 53027 (1-800-637-1453)

NuTone, Inc., 4820 Red Bank Road, Cincinnati, OH 45227 (1-800-543-8687)

Broan-NuTone Canada, Inc. 1140 Tristar Drive, Mississauga, Ontario, L5T 1H9 (1-888-882-7626)

SERVICE PARTS

MODEL RMPE - Parts for stainless steel models shown. For service parts for black, white, polished brass, or brushed copper models, call Broan Customer Service.

| KEY NO. | PART NO. | DESCRIPTION |
|---------|------------|---|
| 5 | B003185305 | GRILL |
| 6 | B02011013 | SPRING |
| 9 | B08087153 | GREASE FILTER |
| 26 | B02300899 | HALOGEN LAMP BULB |
| 37 | B02300787 | HEAT SENTRY |
| 37 | B02000690 | KNOB |
| 39 | B03294033 | WIRING BOX COVER |
| 115 | BE3334250 | CONNECTION BOX |
| 116 | BE3334252 | CONNECTION BOX COVER |
| 144 | B03292287 | WIRE CLAMP |
| 152 | B03292200 | WIRE CLAMP |
| 165 | B03294781 | WIRING BOX |
| 165 | B03295008 | WIRING BOX |
| 165 | B03294780 | CONTROLS BOX |
| 166 | B08086141 | WIRING BOARD |
| 166 | B08086668 | WIRING BOARD |
| 195 | BE3349127 | LAMP SUPPORT |
| 202 | B03294779 | WIRE CLAMP |
| 202 | B03292063 | WIRE CLAMP |
| 222 | B03295043 | CONTROL COVER |
| 223 | B03295082 | MOTOR BOTTON |
| 228 | B08086262 | CONTROLS BOARD |
| 229 | B03201014 | WARNING LAMP |
| 241 | B03295081 | LIGHT BOTTON |
| 250 | B02009102 | RING NUT |
| 472 | BE3344843 | CONTROL BRACKET |
| ALA | B06108882 | HALOGEN LAMP |
| * | B06108727 | CONTROLS ASSEMBLY (INCLUDES NO. 165, 222, 228, 152, 241, 223, 229, 202) |
| 998 | B080810168 | HARDWARE PACKAGE |

* Not shown assembled.

SERVICE PARTS - LISTE PIECES DE RECHANGE - LISTA DE PIEZAS DE RECAMBIO

MODEL RMPE

