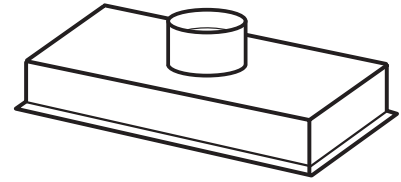


RMPE7004 POWER PACK



Exterior or attic-installed blower provides higher exhaust options, ranging from 600 to 1,500 CFM.

FEATURES

- 430 Stainless Steel #4 Brushed facing
- Fully enclosed bottom
- 8" round duct connect/backdraft damper
- Use with exterior-mounted or attic-installed remote blowers for different levels of exhaust capacity (see specifications)
- Multi-speed control
- Halogen lighting, Type GU10, MR16, shielded, 120V 50W max. (2 bulbs included)
- Dishwasher-safe aluminum filter features a quick-release latch and professional style appearance
- 27-9/16" wide design fits cabinet or custom hood that's 30" to 42" wide

OPTIONS

- 8" to 10" transition (Model 414) (Required to connect Power Pack to Exterior Blower)
- Replacement grease filters available
- Stainless liner (RML7030L, RML7036L, RML7048L, RML7030S, RML7036S, RML7048S)
- Interior blower version (RMP1) available, providing 400 CFM of exhaust

TYPICAL SPECIFICATION

Range hood shall be Broan Model RMPE7004.

Power pack shall connect to exterior or attic-installed remote blower.

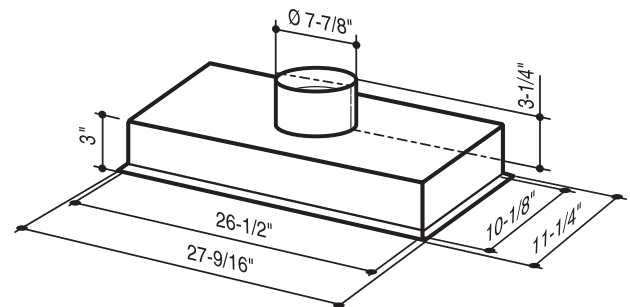
Unit shall have multi-speed fan switch and separate light switch.

Bottom shall be fully enclosed.

Unit shall be U.L. and cUL listed.

SPECIFICATIONS

WITH OPTIONAL BLOWER MODELS	BLOWER CFM	VOLTS	AMPS	DUCT
331H	600 max.	120	0.83 (lights only) + 6.0 max. (blower only)	8-in. round at the hood. See blower specs for duct requirements.
332H	900 max.			
335	1200 max.			
336	1500 max.			
HLB3	280 max.			
HLB6	600 max.			
HLB9	800 max.			
HLB11	1100 max.			



Mount power pack so bottom of unit is 24" to 30" above cooking surface.



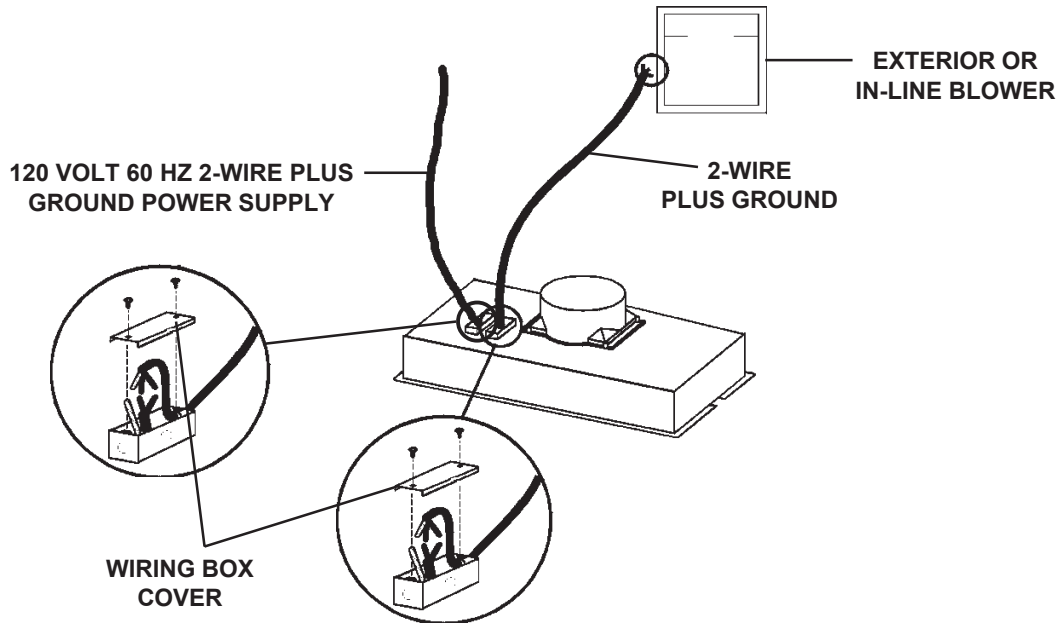
Broan-NuTone LLC, 926 West State Street, Hartford, WI 53027 (1-800-637-1453)

NuTone, Inc., 4820 Red Bank Road, Cincinnati, OH 45227 (1-800-543-8687)

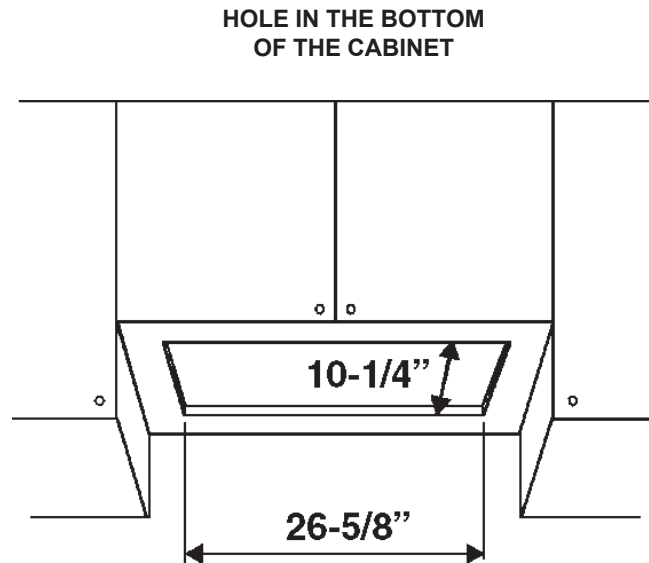
Broan-NuTone Canada, Inc., 1140 Tristar Drive, Mississauga, Ontario, L5T 1H9 (1-888-882-7626)

REFERENCE	QTY.	REMARKS	Project
			Location
			Architect
			Engineer
			Contractor
			Submitted by Date

RMPE7004 WIRING



RMPE7004 MOUNTING



BROAN® *Elite*

Broan-NuTone LLC, 926 West State Street, Hartford, WI 53027 (1-800-637-1453)

NuTone, Inc., 4820 Red Bank Road, Cincinnati, OH 45227 (1-800-543-8687)

Broan-NuTone Canada, Inc., 1140 Tristar Drive, Mississauga, Ontario, L5T 1H9 (1-888-882-7626)