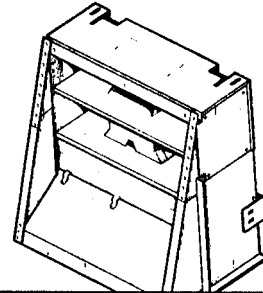




MODEL 113023

HIDEAWAY HOOD



READ AND SAVE THESE INSTRUCTIONS

⚠ INTENDED FOR DOMESTIC COOKING ONLY. ⚠

WARNING ⚠ ⚠

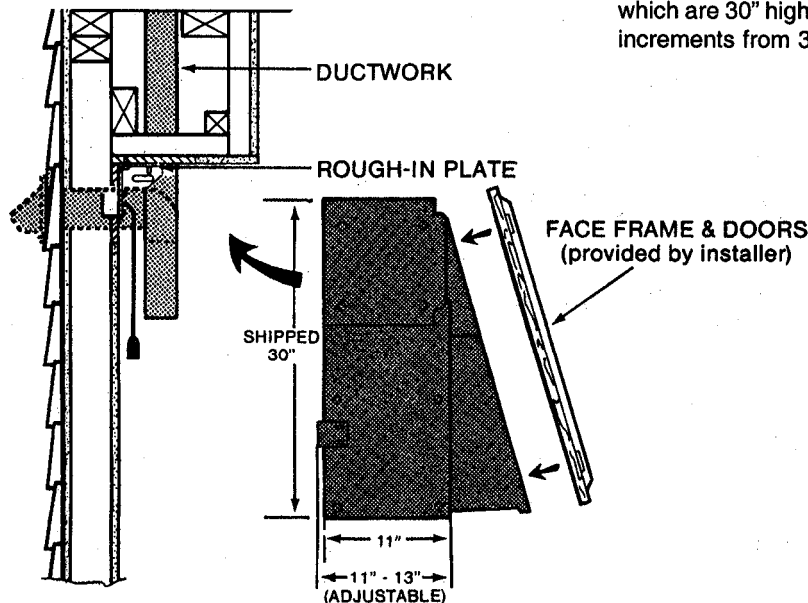
TO REDUCE THE RISK OF FIRE, ELECTRIC SHOCK, OR INJURY TO PERSONS, OBSERVE THE FOLLOWING:

1. Use this unit only in the manner intended by the manufacturer. If you have questions, contact the manufacturer at the address or telephone number listed in the warranty.
2. Before servicing or cleaning unit, switch power off at service panel and lock the service disconnecting means to prevent power from being switched on accidentally. When the service disconnecting means cannot be locked, securely fasten a prominent warning device, such as a tag, to the service panel.
3. Installation work and electrical wiring must be done by a qualified person(s) in accordance with all applicable codes and standards, including fire-rated construction codes and standards.
4. Sufficient air is needed for proper combustion and exhausting of gases through the flue (chimney) of fuel burning equipment to prevent backdrafting. Follow the heating equipment manufacturer's guideline and safety standards such as those published by the National Fire Protection Association (NFPA), and the American Society for Heating, Refrigeration and Air Conditioning Engineers (ASHRAE), and the local code authorities.
5. When cutting or drilling into wall or ceiling, do not damage electrical wiring and other hidden utilities.
6. Ducted fans must always be vented to the outdoors.
7. Do not use this unit with an additional speed control device.
8. To reduce the risk of fire, use only metal ductwork.
9. Use with approved cord-connection kit only.
10. This unit must be grounded.

TO REDUCE THE RISK OF A RANGE TOP GREASE FIRE:

1. Never leave surface units unattended at high settings. Boilovers cause smoking and greasy spillovers that may ignite.
2. Always turn hood ON when cooking at high heat or when cooking flaming foods.
3. Clean ventilating fans frequently. Grease should not be allowed to accumulate on fan or filter.
4. Use proper pan size. Always use cookware appropriate for the size of the surface element.

This hood requires installation of a rough-in plate, ductwork and electrical wiring before installing hood. Refer to the instruction sheet packed with the rough-in plate.



This hood is shipped set up for cabinets which are 30" high. It can be adjusted in 1" increments from 30" down to 24" high.

WARNING ⚠ ⚠

TO REDUCE THE RISK OF INJURY TO PERSONS IN THE EVENT OF A RANGE TOP GREASE FIRE, OBSERVE THE FOLLOWING:

1. **SMOTHER FLAMES** with a close-fitting lid, cookie sheet, or metal tray, turn off the burner. **BE CAREFUL TO PREVENT BURNS.** If the flames do not go out immediately, **EVACUATE AND CALL THE FIRE DEPARTMENT.**
2. **NEVER PICK UP A FLAMING PAN** - You may be burned.
3. **DO NOT USE WATER,** including wet dishcloths or towels - a violent steam explosion will result.
4. Use an extinguisher **ONLY** if:
 - A. You know you a Class ABC extinguisher and you already know how to operate it.
 - B. The fire is small and contained in the area where it started.
 - C. The fire department is being called.
 - D. You can fight the fire with your back to an exit.

*Based on "Kitchen Firesafety Tips" published by NFPA.


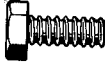


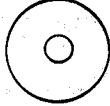






CAUTION ⚠

1. For general ventilating use only. Do not use to exhaust hazardous or explosive materials and vapors.
2. To avoid motor bearing damage and noisy/and or unbalanced impellers, keep drywall spray, construction dust, etc. off power unit.
3. For best capture of cooking impurities, your range hood should be mounted 18-24" above the cooking surface.
4. This product is equipped with a thermostat which may start fan automatically. To reduce the risk of injury, switch power off at service panel and lock service panel to prevent power from being switch on accidentally.
5. Your hood motor has thermal overload which will automatically shut off the motor if it becomes overheated. The motor will restart when it cools down. If the motor continues to shut and restart, have the hood serviced.
6. Please read specification label on product for further information and requirements.

INSTALLER: Leave this manual with the homeowner.
HOMEOWNER: Use and care information on page 5.

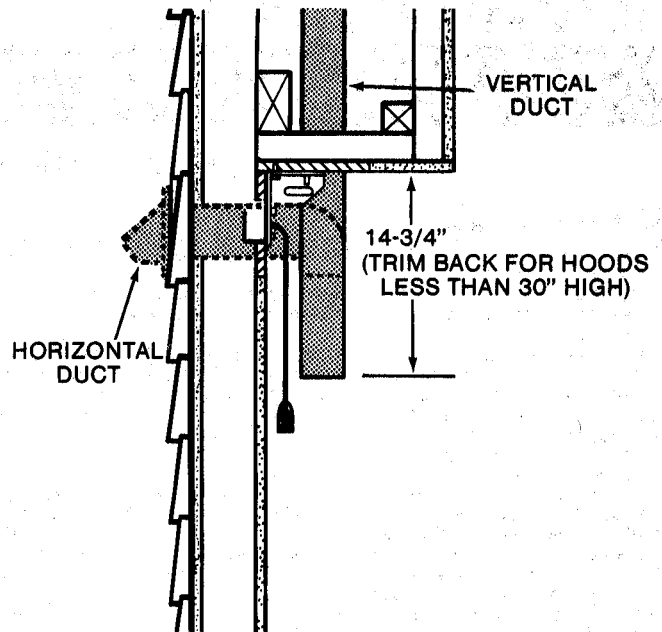
HARDWARE CONTAINED IN PARTS BAG



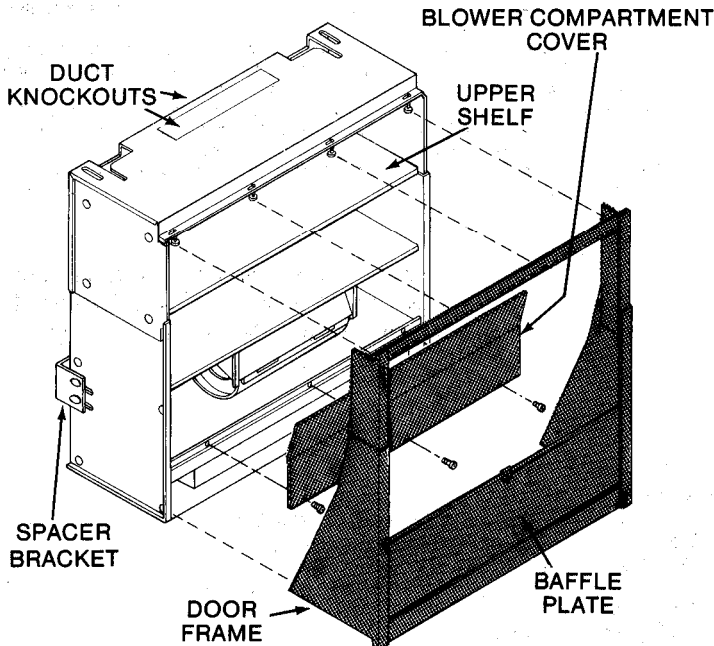
 (2) #6B sheet metal nuts A	 (2) 5/16-18 x 3/4 hex head cap screws B	
 (2) 1/4-20 x 3 slotted round head machine screws C	 (6) #6 flat washers D	 (2) 1/4 flat washers E
 (2) 1/4-20 spring wing toggles F	 (4) #10-24 lock nuts G	 (2) 5/16-18 lock nuts H
 (8) #6AB x 1/4 phillips pan head sheet metal screws I	 (10) #10AB x 5/8 phillips flat head sheet metal screws J	 (2) #10AB x 1-1/2 slotted pan head sheet metal screws K

4. Remove duct knockout on top or back of hood as appropriate.

MOUNT HOOD



PREPARE HOOD



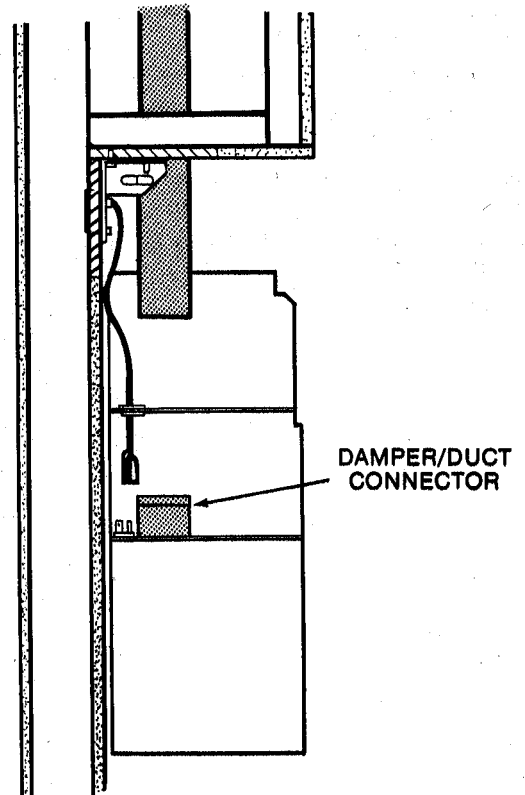
NOTE: WHEN INSTALLED, BOTTOM OF HOOD MUST BE A MINIMUM OF 18" ABOVE COOKING SURFACE.

1. Remove door frame and blower compartment cover.
2. If desired, adjust upper shelf location. Shelf cannot be removed or adjusted once installation is complete.

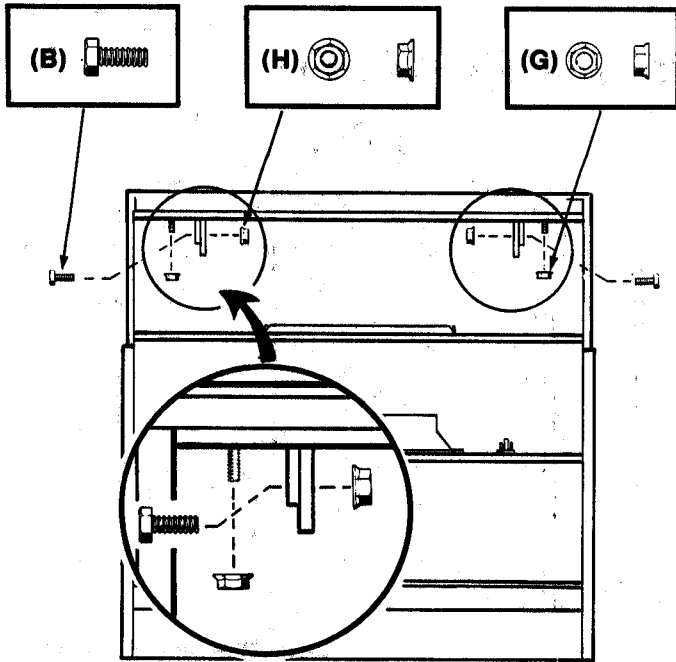
FOR CABINETS LESS THAN 30" HIGH: SEE INSTRUCTIONS ON PAGE 4.

3. Adjust hood depth to match cabinet depth by positioning spacer brackets: Tighten lock nuts to hold in place.

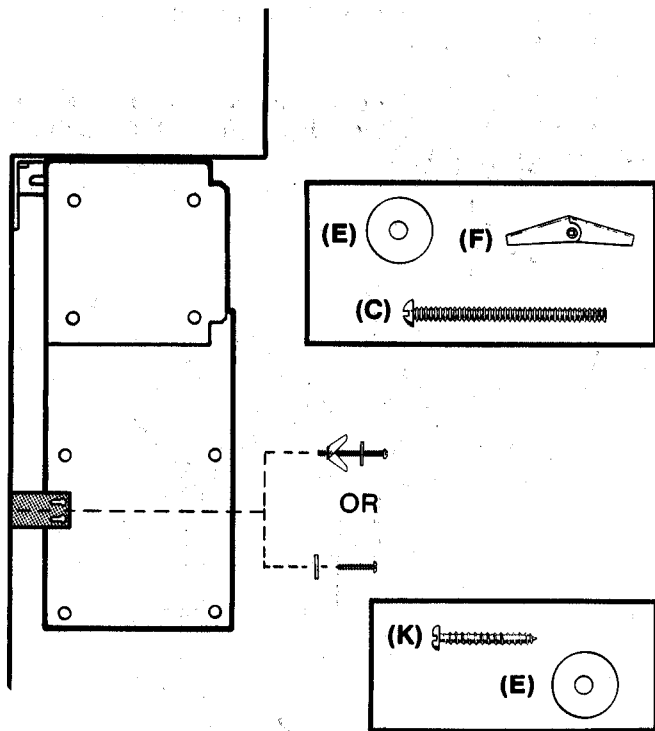
1. Check duct length. Duct should end 14-3/4" below top of rough-in plate for 30" high hood. If ducting horizontally, remove duct elbow.



2. Place hood in position and drop power cord through opening in back of hood. If ducting vertically, slide duct over damper/duct connector.



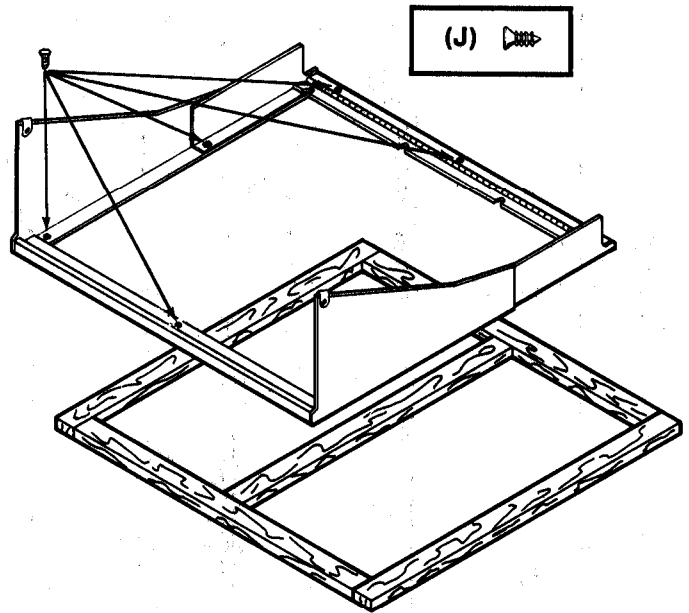
3. Attach hood to rough-in plate with two screws and nuts. Install one lock nut on each vertical adjustment stud at top of hood.



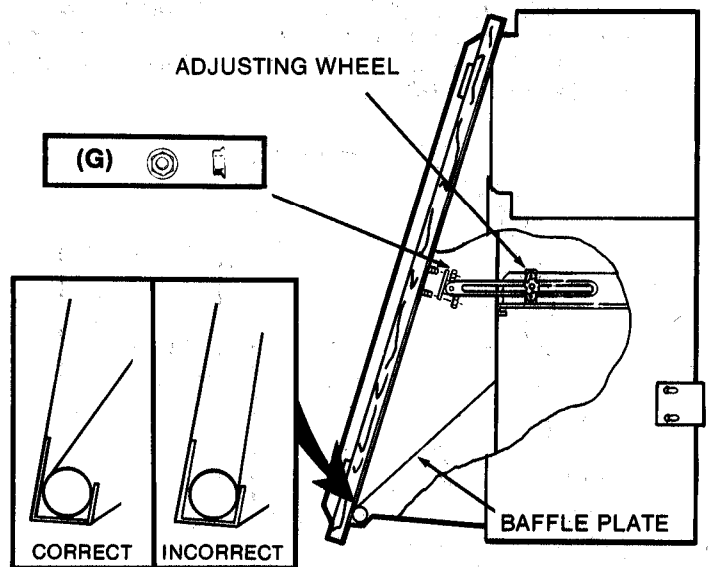
4. Secure spacer brackets to wall. Use two screws and washers or two toggle bolts and washers as appropriate.
 5. If ducting horizontally, re-install duct elbow inside of hood. Tape all duct connections.

INSTALL DOOR ASSEMBLY

FOR UNDER-SOFFIT INSTALLATIONS ONLY: Cut 5/16" off top edge of wood frame for clearance.



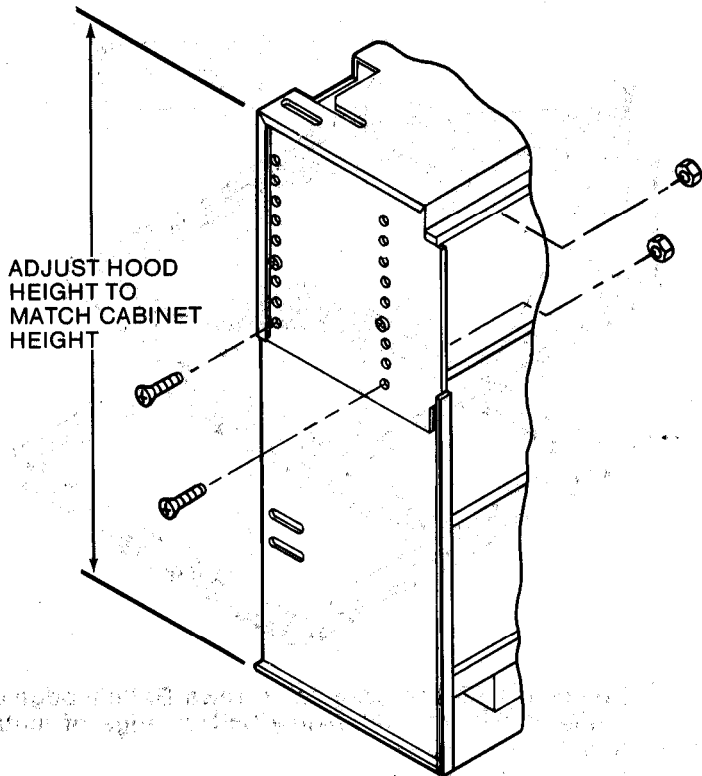
1. Attach wood frame using ten screws. Bottom edge of frame should be 1/8" below bottom edge of metal frame.
 2. Mount cabinet doors to wood frame using same hardware as rest of cabinetry.



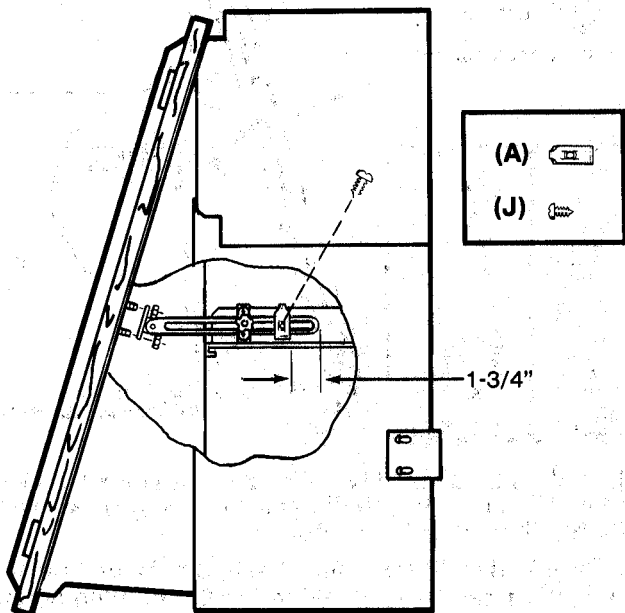
3. Install frame assembly onto hood. Attach slides with four lock nuts. Hood opening tension may be adjusted by rotating adjusting wheels.
 4. Center and flush-up frame with cabinets. Loosen and re-tighten hood and rough-in plate mounting screws as necessary.
 5. Reinstall blower compartment cover and baffle plate.
NOTE: Door may not close flush with cabinets unless baffle plate is re-installed correctly.
 6. Plug in power cord. Install an F20T12 fluorescent tube. Turn on power and check operation.

SPECIAL INSTALLATIONS

CABINETS LESS THAN 30" HIGH

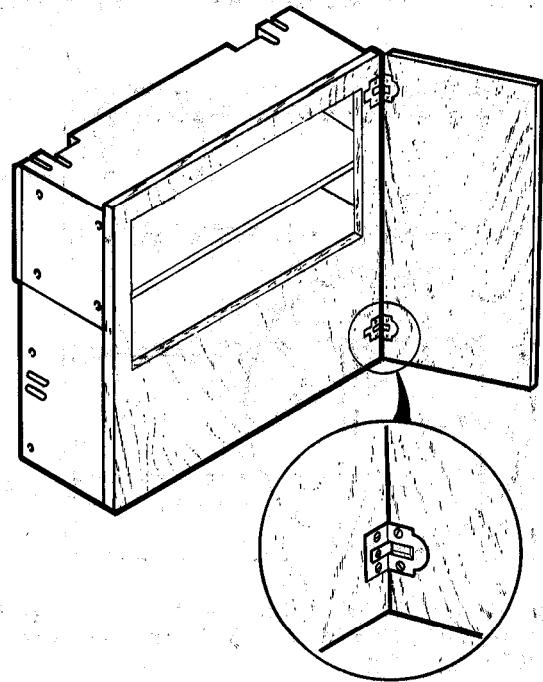


1. Adjust hood and door frame height to match cabinet height.
2. Duct length for a 30" high cabinet should be 14-3/4" from rough-in plate. Trim back duct for lesser heights, accordingly. Example: 28" cabinet height requires duct length of 12-3/4".



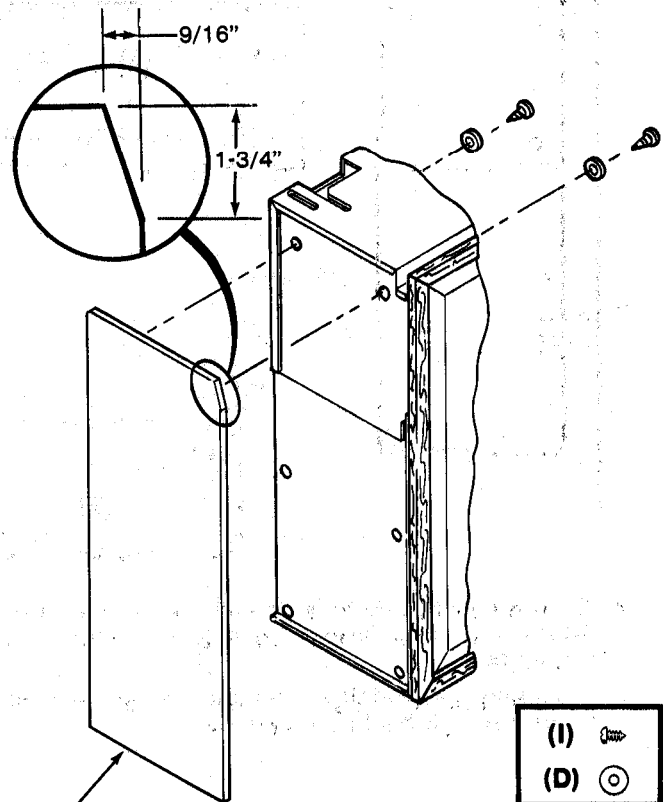
3. FOR HOODS 24" THROUGH 27" HIGH ONLY: Place a sheet metal nut over each slide, where shown, to prevent bottom of door from coming completely out of hood. Tighten in place.

FRAMELESS CABINETS



1. Construct a panel as shown above. Attach it to door frame with ten screws.
2. Attach doors.
NOTE: If cabinet doors use concealed hinges, mount to panel using hinges designed for face-mounting.

EXPOSED END



1. Attach a 1/4" thick end panel with six screws and washers and notch for frame clearance, as shown.

USE AND CARE

OPERATION

For best results, always turn on your hood before you begin cooking. Let hood run for a few minutes after you turn off range to allow hood to clear the air in the kitchen.

Pull out hood front to turn on blower and light. Light can also be turned on when hood front is closed. The hood front must be out and the speed control turned on for the blower to start.

SPEED CONTROL

The speed control allows unlimited selection of blower speeds and sound levels. The control turns the blower on to high speed and dials down to low speeds.

With speed control turned on, blower will start when hood front is pulled out and will run at whatever previous speed you have chosen.

HEAT SENTRY™

Your hood is equipped with a Heat Sentry™ thermostat. This thermostat is a device that will turn on or speed up the blower if it senses excessive heat above the cooking surface.

If blower is not on, or if it is running at low speed, the Heat Sentry™ will override the normal blower control and turn blower on to high speed. The blower will run until temperatures drop to normal levels. The blower will then return to its original setting.

LIGHT

The light switch is located just to the left of the speed control. Turn on light by pulling front of hood out or, if you don't need the blower, just flip the switch for cooktop or night-lighting.

CLEANING

Clean hood with a mild detergent suitable for painted surfaces. **DO NOT USE ABRASIVE CLOTH, STEEL WOOL PADS OR SCOURING POWDERS.**

To clean blower, remove blower compartment cover and vacuum blower. Blower motor is lifetime lubricated and never needs oiling. Do not immerse blower in water.

FILTER

The aluminum filter in your hood should be cleaned frequently with detergent to avoid grease buildup. The filter is dishwasher safe. To remove filter, rotate retaining clips on either side of filter opening out of the way and pull filter out of hood. When replacing filter, make sure pull tabs on filter are toward bottom and to the back of hood.

HOW TO AVOID A COMMON RANGE-TOP GREASE FIRE

- Your range hood provides a protective barrier between the cooking surface and the cabinets.
- Keep fan, filters and grease laden surfaces **CLEAN** according to instructions.
- Always turn hood **ON** when cooking at high heat to keep the cooking area and the hood cooler.
- Use high heat settings only when necessary.
- Never leave cooking surface unattended. Boil-over causes smoking and greasy spillovers that may ignite.
- Always use adequate-sized utensils.
- If preparing flaming foods, such as Cherries Jubilee, always turn hood **ON** to **HIGH** to prevent a high heat situation which can cause damage or fire.

HOW TO EXTINGUISH A COMMON RANGE-TOP GREASE FIRE

- Never pick up a flaming pan. If dropped, flames can spread quickly.
- **DO NOT USE WATER!** A violent steam explosion may result. Wet dishcloths or towels are also dangerous.
- Smother flames with a close fitting lid, cookie sheet or metal tray.
- Flaming grease can also be extinguished with baking soda or a multi-purpose dry chemical extinguisher.
- Turn off surface units - if you can do so without getting burned.

SERVICE

CAUTION

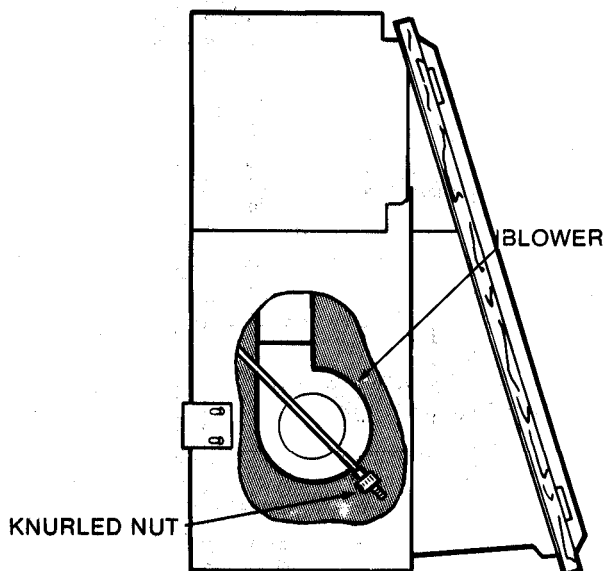
ALWAYS DISCONNECT ELECTRIC POWER SUPPLY TO HOOD BEFORE SERVICING.

Your hood uses an F20T12 fluorescent tube, available at most hardware stores or home centers.

If tube flickers or does not light, check the prongs on ends of tube to make sure that they are properly seated in tube holders. Slide prongs into holders and rotate tube so that holders grip prongs and hold tube in place. If tube continues to flicker or does not light, replace tube.

If ends of the tube light but center does not, the starter may be defective. Your hood uses an FS-2 starter, located on underside of control unit. Remove old starter by pushing it in and turning it counterclockwise. Purchase a new starter at your local hardware store or home center, and install it by pushing it in and turning it clockwise.

If tube still does not light, order a 97007428 Ballast Transformer Kit from your Broan Distributor or from the Broan Service Department. Write Broan Mfg. Co., Inc., P.O. Box 140, Hartford, WI 53027.



TO REMOVE BLOWER FOR SERVICE

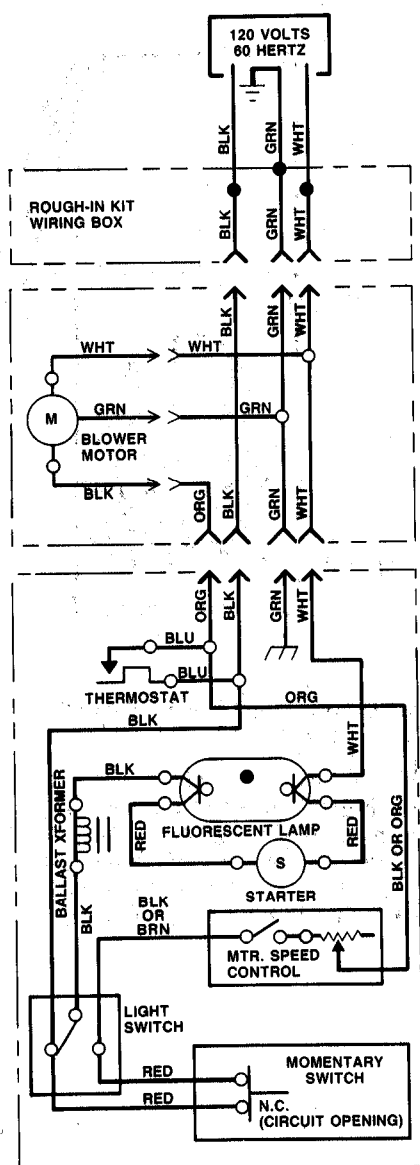
1. Remove fluorescent tube.
2. Rotate filter retaining clips out of way and remove filter.
3. Unplug blower and back off knurled nuts to ends of blower mounting rods. Do not remove nuts completely from rods. Support blower with one hand and swing rods out of the way. Do not grasp blower by blower wheels. Wheels may be damaged.

SERVICE PARTS

Model 113023 Hideaway Hood

KEY NO.	PART NUMBER	DESCRIPTION
1	97007476	Upper Housing Assembly
2	99160332	#10-24 x 1/2 Flat Head Machine Screw* (12 required)
3	93170250	5/16-18 x 3/4 Hex Head Cap Screw* (2 required)
4	93260447	5/16-18 Lock Nut* (2 required)
5	99260477	1/4-20 Lock Nut* (6 required)
6	97007590	Upper Door Frame Assembly
7	99260488	#10-24 Lock Nut* (20 required)
8	99400055	Bushing
9	98006348	Upper Shelf
10	99150478	#8B x 3/8 Sheet Metal Screw* (7 required)

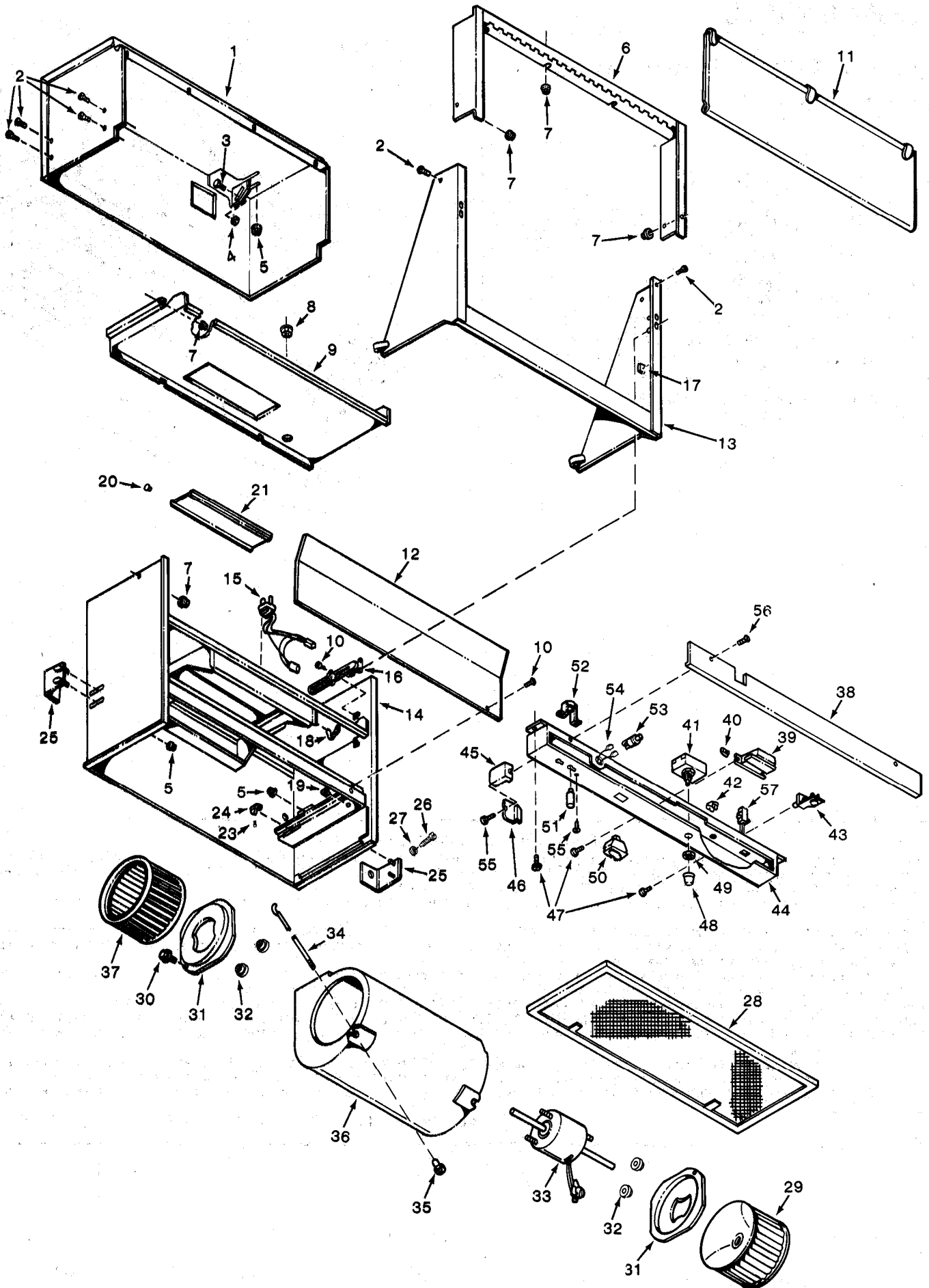
WIRING DIAGRAM



KEY NO.	PART NUMBER	DESCRIPTION
11	97007480	Baffle Plate
12	98006316	Blower Compartment Cover
13	97007591	Lower Door Frame Assembly
14	97007481	Lower Housing Assembly
15	97007406	Blower Housing Wiring Harness
16	97007728	Slide Assembly Kit (2 required) (Includes Key No. 10)
17	99100438	Door Pad (2 required)
18	93270619	Wire Clip
19	99260481	#10B Sheet Metal Nut "U" Type (2 required)
20	99100379	Damper Bushing (2 required)
21	98005221	Damper Flap
22	93100402	Door Bumper (4 required)
23	99230324	1/8 Dia. x 5/16 Pop Rivet* (2 required)
24	98006352	Filter Retaining Clip (2 required)
25	97007483	Spacer Bracket (2 required)
26	99150418	#10AB x 1-1/2 Sheet Metal Screw* (2 required)
27	99250916	1/4" Flat Washer* (2 required)
A**	99260480	#6B Sheet Metal Nut "U" Type* (2 required)
C**	99160320	1/4-20 x 3 Round Head Machine Screw* (2 required)
D**	99250915	#6 Flat Washer* (6 required)
F**	99420475	1/4-20 Spring Wing Toggle* (2 required)
I**	99150510	#6AB x 1/4 Sheet Metal Screw* (8 required)
J**	99150507	#10AB x 5/8 Sheet Metal Screw* (10 required)
	97007484	Parts Bag (Includes Key Nos. 3 thru 5, 7, 25 thru 27, A, C, D, F, I, and J)
	97005985	Blower Assembly - Includes Key Nos. 29 thru 33, 36 & 37
28	97007725	Aluminum Filter
29	99020139	Blower Wheel - Counterclockwise
30	99170245	#8-18 Tapping Screw (8 required)
31	98005212	Motor Retaining Ring (2 required)
32	99100491	Rubber Motor Mount (4 required)
33	99080359	Motor
34	99420464	Blower Mounting Rod (2 required)
35	99260476	Blower Mounting Nut (2 required)
36	97007314	Blower Scroll Housing
37	99020138	Blower Wheel - Clockwise
38	97007727	Control Housing Cover
39	97007428	Ballast Transformer Kit
40	99260481	#10B Sheet Metal Nut "U" Type*
41	99030132	Speed Control
42	99270670	Ground Clip
43	97007424	Heat Sentry™ Bracket Assembly
44	97009817	Control Housing
45	99270550	Fluorescent Lampholder (2 required)
46	98005860	Lampholder Retainer (2 required)
47	99150490	#10B Sheet metal Screw (4 required)
48	99360118	Knob
49	99260491	3/8 Hex Nut
50	99030148	Light Switch
51	99270553	FS-2 Fluorescent Starter*
52	99270650	Starter Base
53	99030033	Momentary Contact Switch
54	97007407	Switch Wire Assembly (2 required)
55	99160319	#6-32 x 3/8 Pan Head Machine Screw* (4 required)
56	99150491	#8B Sheet Metal Screw (2 required)
57	97009818	Control Box Wiring Harness

*Standard Hardware. May be purchased locally.

**Lettered Key Nos. illustrated on page 2.

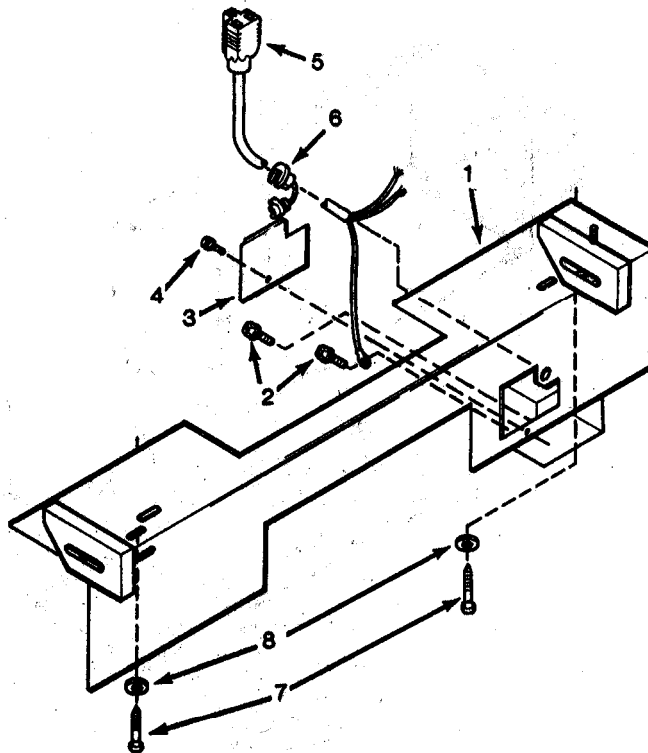


SERVICE PARTS

Model 113123 Hideaway Hood Rough-in Kit

KEY NO.	PART NUMBER	DESCRIPTION
1	97007472	Rough-In Plate
2	99150471	#10-32 x 1/2 Green Ground Screw* (2 Required)
3	98003370	Wiring Box Cover
4	99150415	#8B Sheet Metal Screw
5	99440073	Power Cord
6	99400052	Strain Relief Bushing
7	99220287	5/16-10 x 3 Lag Screw* (2 Required)
8	99250917	5/16- Flat Washer* (2 Required)

*Standard Hardware. May be purchased locally.



BROAN ONE YEAR LIMITED WARRANTY

Broan warrants to the original consumer purchaser of its products that such products will be free from defects in materials or workmanship for a period of one year from the date of original purchase. THERE ARE NO OTHER WARRANTIES, EXPRESS OR IMPLIED, INCLUDING, BUT NOT LIMITED TO, IMPLIED WARRANTIES OF MERCHANTABILITY OR FITNESS FOR A PARTICULAR PURPOSE.

During this one-year period, Broan will, at its option, repair or replace, without charge, any product or part which is found to be defective under normal use and service.

THIS WARRANTY DOES NOT EXTEND TO FLUORESCENT LAMP STARTERS AND TUBES. This warranty does not cover (a) normal maintenance and service or (b) any products or parts which have been subject to misuse, negligence, accident, improper maintenance or repair (other than by Broan), faulty installation or installation contrary to recommended installation instructions.

The duration of any implied warranty is limited to the one-year period as specified for the express warranty. Some states do not allow limitation on how long an implied warranty lasts, so the above limitation may not apply to you.

BROAN'S OBLIGATION TO REPAIR OR REPLACE, AT BROAN'S OPTION, SHALL BE THE PURCHASER'S SOLE AND EXCLUSIVE REMEDY UNDER THIS WARRANTY. BROAN SHALL NOT BE LIABLE FOR INCIDENTAL, CONSEQUENTIAL OR SPECIAL DAMAGES ARISING OUT OF OR IN CONNECTION WITH PRODUCT USE OR PERFORMANCE. Some states do not allow the exclusion or limitation of incidental or consequential damages, so the above limitation or exclusion may not apply to you.

This warranty gives you specific legal rights, and you may also have other rights, which vary from state to state. This warranty supersedes all prior warranties. To qualify for warranty service, you must (a) notify Broan at the address stated below or telephone: 1-800-637-1453, (b) give the model number and part identification and (c) describe the nature of any defect in the product or part. At the time of requesting warranty service, you must present evidence of the original purchase date.

Broan-NuTone LLC, 926 West State Street, Hartford, WI 53027 1-800-637-1453