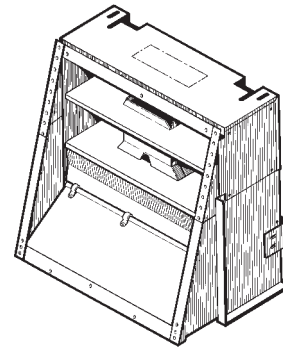


# HIDEAWAY™ RANGE HOOD



Only Broan offers the combination of clean cabinet lines, effective ventilation and over-the-range storage space.

**FEATURES**

- Automatic operation of light and blower as hood is opened and closed
- Night light feature
- Dual centrifugal blower
- Fire retardant, all-metal construction
- Solid state, infinite speed blower control with memory
- Energy efficient 24 inch fluorescent light (bulb not included)
- Built-in damper/duct connector - vertical or horizontal discharge
- Exclusive Heat Sentry™ automatically turns blower on to high speed when excess cooking heat is detected
- Designed to fit 30-inch cabinet face frame width and from 24 inch height (1" increments)
- Uses Model 113123 Rough-In Kit

**SPECIFICATIONS**

VOLTS	AMPS	RPM	SONES	CFM	DUCT
120	3.7	1590	4.5	360	3 1/4" x 10"

HVI certified ratings comply with testing procedures prescribed by the Home Ventilating Institute. Ratings are at .10 in. static pressure. Sones are a measure of loudness and are measured in HVI's semi-reverberant sound test room.



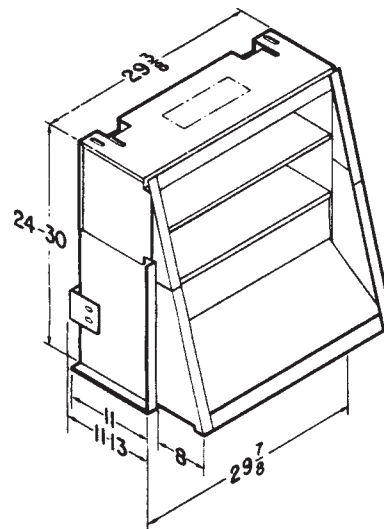
**TYPICAL SPECIFICATION**

Pull-out style range hood shall be Broan Hideaway™ Model 113023.

Hood shall have all metal construction with built-in damper/duct connector. It shall fit a 30-inch wide and 24 - 30-inch high cabinet face frame.

Unit shall have solid state, infinite speed blower control with memory, fluorescent light and dual centrifugal blower. Blower to automatically turn on to high speed when excess cooking heat is detected.

Air delivery shall be no less than 360 CFM and sound level no greater than 4.5 Sones. All air and sound ratings shall be certified by HVI. Unit to be U.L. listed.



Broan-NuTone LLC, 926 West State Street, Hartford, WI 53027 (1-800-637-1453)

REFERENCE	QTY.	REMARKS	Project	
			Location	
			Architect	
			Engineer	
			Contractor	
			Submitted by	Date