

This Owner's Manual is provided and hosted by [Appliance Factory Parts](#).



Jenn Air JDS9860 Owner's Manual

[Shop genuine replacement parts for Jenn Air JDS9860](#)



[Find Your Jenn Air Electric Range Parts - Select From 50 Models](#)

----- Manual continues below -----

JENN-AIR® 30" (76.2 CM) SLIDE-IN DUAL FUEL DOWNDRAFT RANGES

PRODUCT MODEL NUMBERS

JDS9860CD

ELECTRICAL REQUIREMENTS

The electrical connection to this range is designed only for use with a flexible power cord. All ranges are shipped with a specially designed 4-wire power supply cord. This cord should be used on all new branch circuits, mobile homes and when local codes prohibit grounding through the neutral. For a 3-wire power supply cord replacement, service kit Part Number 74011285 must be used.

If codes permit and a separate ground wire is used, it is recommended that a qualified electrical installer determine that the ground path and wire gauge are in accordance with local codes.

Do not use an extension cord.

WARNING: Improper connection of the equipment-grounding conductor can result in a risk of electric shock. Check with a qualified electrician or service technician if you are in doubt as to whether the appliance is properly grounded. Do not modify the power supply cord plug. If it will not fit the outlet, have a proper outlet installed by a qualified electrician.

Electrical Connection

To properly install your range, you must determine the type of electrical connection you will be using and follow the instructions provided for it here.

- Range must be connected to the proper electrical voltage and frequency as specified on the model/serial number rating plate. The model/serial number rating plate is located behind the control panel or on the oven frame behind the storage drawer panel. Refer to the figures in the "Product Dimensions" section of the "Location Requirements" section.

- This range is manufactured with a 4-wire 40-amp power cord. For a 3-wire connection order UL listed power cord Part Number 74011285.

Range Rating*

Specified Rating of Power Supply Cord Kit and Circuit Protection

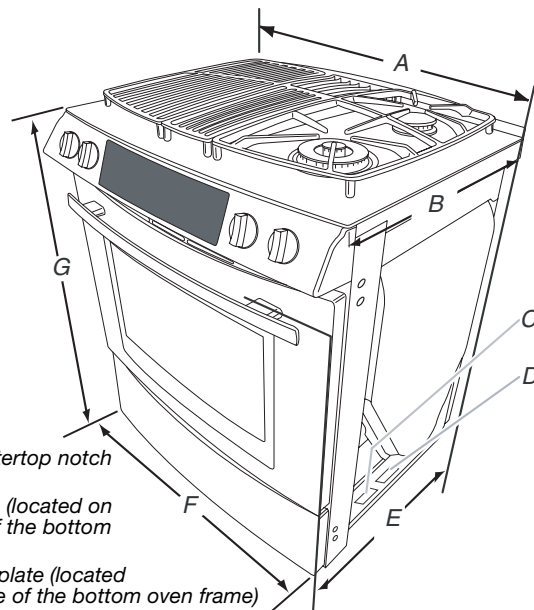
120/240 Volts	120/208 Volts	Amps
8.8 - 16.5 KW	7.8 - 12.5 KW	40 or 50**
16.6 - 22.5 KW	12.6 - 18.5 KW	50

*The NEC calculated load is less than the total connected load listed on the model/serial rating plate.

**If connecting to a 50-amp circuit, use a 50-amp rated cord with kit. For 50-amp rated cord kits, use kits that specify use with a nominal 1 $\frac{3}{8}$ " (34.9 mm) diameter connection opening.

†©TEFLON is a registered trademark of E.I. Du Pont Nemours and Company.

PRODUCT DIMENSIONS



A. 30 $\frac{3}{4}$ " (78.1 cm)

B. 23 $\frac{1}{2}$ " (59.7 cm) countertop notch to rear of cooktop

C. Gas information plate (located on the right-hand side of the bottom oven frame)

D. Model/serial number plate (located on the right-hand side of the bottom oven frame)

E. 29 $\frac{7}{8}$ " (75.9 cm)

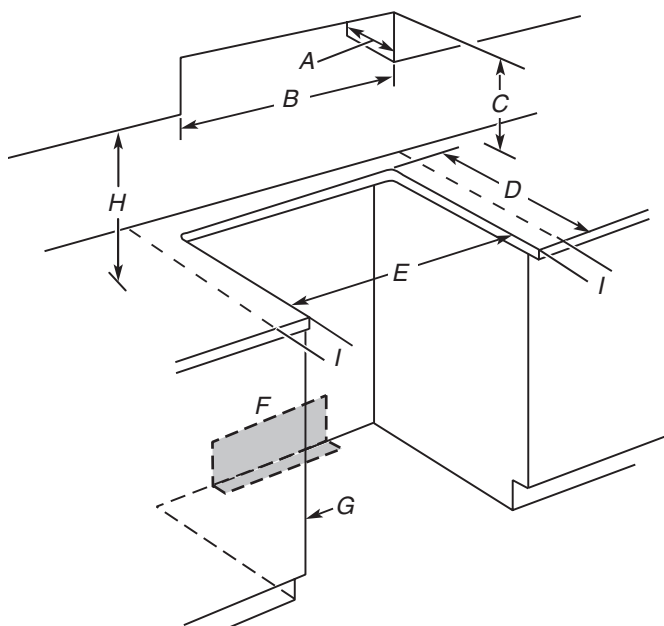
F. 29 $\frac{1}{16}$ " (73.8 cm) from handle to back of range**

G. 35 $\frac{3}{4}$ " (90.8 cm) height to underside of cooktop edge with leveling legs screwed all the way in*

*Range can be raised approximately 1" (2.5 cm) by adjusting the leveling legs.

**When installed in a 24" (61.0 cm) base cabinet with 25" (63.5 cm) countertop; front of oven door protrudes 2 $\frac{1}{2}$ " (6.4 cm) beyond 24" (61.0 cm) base cabinet.

CABINET DIMENSIONS



Cabinet opening dimensions shown are for 25" (64.0 cm) countertop depth, 24" (61.0 cm) base cabinet depth and 36" (91.4 cm) countertop height.

Range may be installed with zero clearance to combustible construction at the rear and on the sides below the cooktop.

A. 13" (33.0 cm) upper cabinet depth

B. 30" (76.2 cm) min. opening width

C. For minimum clearance to the top of the cooktop, see NOTE.

D. 23 $\frac{1}{4}$ " (59.1 cm) opening depth

E. 30" (76.2 cm) min. opening width

F. Electrical and gas supply - 5 $\frac{1}{2}$ " (14.0 cm) min. from either cabinet, 10" (25.4 cm) max. from floor. Nothing located in shaded area can extend more than 2 $\frac{1}{4}$ " (5.7 cm) from back wall, or range will not slide all the way back. Grounded outlet must be flush mounted.

G. Cabinet door or hinge should not extend into cutout.

H. 18" (45.7 cm)

I. 3" (7.6 cm) min. clearance from both sides of the range to the side wall or other combustible material.

NOTE: 24" (61.0 cm) minimum when bottom of wood or metal cabinet is shielded by not less than 1/4" (0.64 cm) flame retardant millboard covered with not less than No. 28 MSG sheet steel, 0.015" (0.4 mm) stainless steel, 0.024" (0.6 mm) aluminum or 0.020" (0.5 mm) copper.

30" (76.2 cm) minimum clearance between the top of the cooking platform and the bottom of an uncovered wood or metal cabinet.