



THE SIGN OF A GREAT COOK®

www.jennair.com

COOKTOP DUCT ARRANGEMENTS

Duct Length Recommendations^A

(Maximum)^B

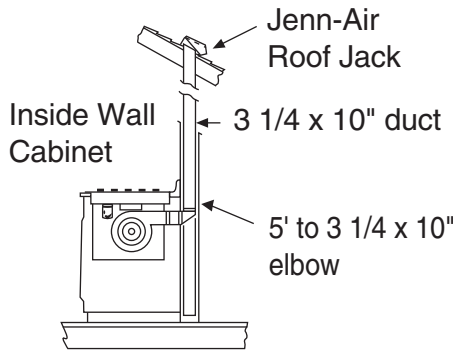
	5" Dia. ^C	6" Dia. or 3 1/4 x 10" ^B
All Electric ^D	10'	60'
All Gas ^E	10'	60'

The Long Duct Run

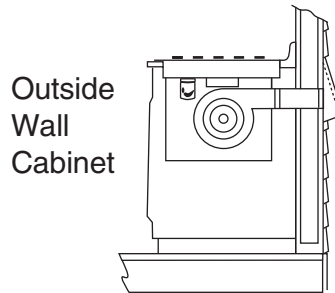
With Jenn-Air's powerful blower, Jenn-Air downdraft grill-range cooktops can vent up to the equivalent of 60 feet.

Here's how it works.

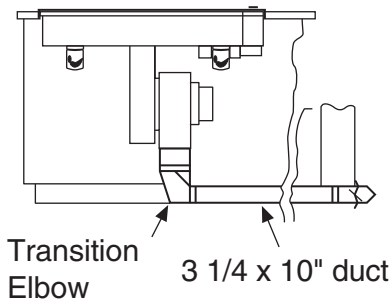
For duct runs equivalent to 30' or less, install as received. For duct runs equivalent to 31' to 60', simply snap out the restrictor ring on the blower inlet housing. See installation instructions for specific information.



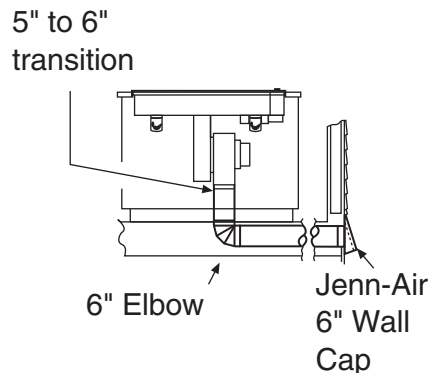
Up Inside Wall to Roof or Overhang



Directly to Outside



Thru Cabinet Toe Space



Between Floor Joist^F

Notes:

- A. For venting up to the equivalent of 60', use standard steel ducting and elbows.
- B. **IMPORTANT:** See installation instructions shipped with product before selecting island cabinetry, making cutouts or beginning installation. For best performance, it is suggested that no more than three 90 degree elbows be used with 6" or 3 1/4" x 10" duct. Each foot of metal flex duct counts as two feet of rigid metal duct. Each flex elbow counts as two metal elbows. For longer duct runs of 31' to 60', the restrictor ring on the blower inlet housing must be removed. 6" round or 3 1/4 x 10" duct must be used for ducting beyond 10' (up to 60'). Failure to follow ducting recommendations or use recommended ducting accessories may result in substandard performance.
- C. Count each 90 degree elbow as 5' of duct.
- D. When venting electric cooktops, 5" diameter round duct may be used to vent straight out the back of appliance and directly through the wall for runs of 10' or less.
- E. When venting gas cooktops, 5" diameter round duct must be used for runs of 10' or less.
- F. When installing through a slab, it is essential that the system be properly calculated, designed and installed before the house is built, when the slab is poured.