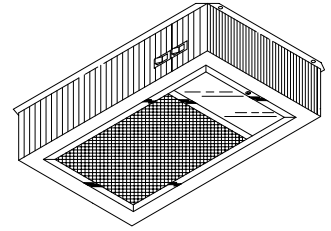


## POWER MODULE

To register this product visit  
[www.broan.com](http://www.broan.com)  
or  
[www.nutone.com](http://www.nutone.com)



## READ AND SAVE THESE INSTRUCTIONS

### FOR DOMESTIC COOKING ONLY

#### WARNING



**TO REDUCE THE RISK OF FIRE, ELECTRIC SHOCK, OR INJURY TO PERSONS, OBSERVE THE FOLLOWING:**

1. Use this unit only in the manner intended by the manufacturer. If you have questions, contact the manufacturer at the address or telephone number listed in the warranty.
2. Before servicing or cleaning unit, switch power off at service panel and lock the service disconnecting means to prevent power from being switched on accidentally. When the service disconnecting means cannot be locked, securely fasten a prominent warning device, such as a tag, to the service panel.
3. Installation work and electrical wiring must be done by a qualified person(s) in accordance with all applicable codes and standards, including fire-rated construction codes and standards.
4. Sufficient air is needed for proper combustion and exhausting of gases through the flue (chimney) of fuel burning equipment to prevent backdrafting. Follow the heating equipment manufacturer's guideline and safety standards such as those published by the National Fire Protection Association (NFPA), and the American Society of Heating, Refrigeration and Air Conditioning Engineers (ASHRAE), and the local code authorities.
5. When cutting or drilling into wall or ceiling, do not damage electrical wiring and other hidden utilities.
6. To reduce the risk of fire or electric shock, do not use this range hood with an additional speed control device.
7. Ducted fans must always be vented to the outdoors.
8. To reduce the risk of fire, use only metal ductwork.
9. Use with approved cord-connection kit only.
10. This unit must be grounded.

#### **TO REDUCE THE RISK OF A RANGE TOP GREASE FIRE:**

1. Never leave surface units unattended at high settings. Boilovers cause smoking and greasy spillovers that may ignite. Heat oils slowly on low or medium settings.
2. Always turn hood ON when cooking at high heat or when cooking flaming foods.
3. Clean ventilating fans frequently. Grease should not be allowed to accumulate on fan or filter.
4. Use proper pan size. Always use cookware appropriate for the size of the surface element.

#### WARNING



**TO REDUCE THE RISK OF INJURY TO PERSONS IN THE EVENT OF A RANGE TOP GREASE FIRE, OBSERVE THE FOLLOWING:\***

1. **SMOTHER FLAMES** with a close-fitting lid, cookie sheet, or metal tray, then turn off the burner. **BE CAREFUL TO PREVENT BURNS.** If the flames do not go out immediately, **EVACUATE AND CALL THE FIRE DEPARTMENT.**
  2. **NEVER PICK UP A FLAMING PAN** — You may be burned.
  3. **DO NOT USE WATER**, including wet dishcloths or towels - violent steam explosion will result.
  4. Use an extinguisher **ONLY** if:
    - A. You know you have a Class ABC extinguisher and you already know how to operate it.
    - B. The fire is small and contained in the area where it started.
    - C. The fire department is being called.
    - D. You can fight the fire with your back to an exit.
- \* Based on "Kitchen Fire Safety Tips" published by NFPA.

#### CAUTION

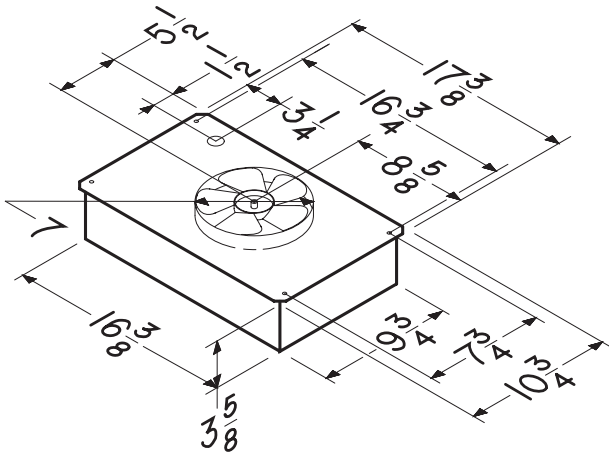


1. For general ventilating use only. Do not use to exhaust hazardous or explosive materials and vapors.
2. To avoid motor bearing damage and noisy and/or unbalanced impellers, keep drywall spray, construction dust, etc. off power unit.
3. For best capture of cooking impurities, your range hood should be mounted so that the top of the hood is 24-30" above the cooking surface.
4. Please read specification label on product for further information and requirements.

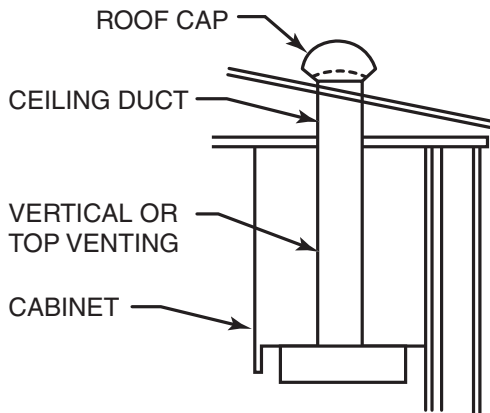
**Installer: Leave this manual with the homeowner.**  
**Homeowner: Operating and Cleaning information on page 2.**

# INSTALLATION

1. Lift exhaust unit into position and mark location for duct and wiring cutout. Cut holes allowing at least 1/4" clearance. Note: Make sure switches are accessible.
2. Cut out additional openings in cabinet and roof as required.
3. Remove junction box cover from exhaust unit.
4. Pull wiring through cutout in cabinet. Lift unit into position, feed wiring through access hole, and secure unit to cabinet with four (4) screws provided.
5. Install and align duct. The duct, round damper and roof cap are not included with your exhaust unit. These items can be purchased from your dealer.
6. Make electrical connections according to the latest National Electrical Code and applicable local ordinances.



**NOTE:**  
ROUND DAMPER IS NOT INCLUDED.



# ELECTRICAL GROUNDING

Permanently ground this unit in accordance with the latest National Electrical code and applicable local codes and ordinances.

It is recommended that a permanent ground connection be made to the unit using a conductor of appropriate size from a grounded continuous metallic cold water pipe, a grounded lead in the service panel, or a properly driven and electrically grounded ground rod. Do not ground to a gas supply pipe.

# CLEANING INFORMATION

## FILTER

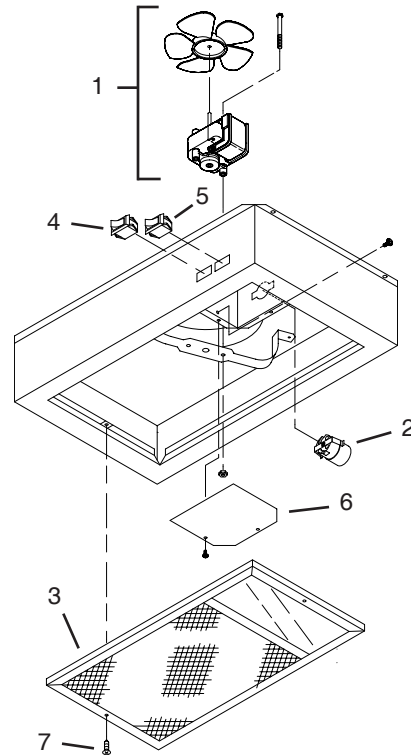
For greatest efficiency, the permanent type aluminum foil filter should be removed and cleaned periodically.

To clean, the filter should be soaked in hot water and detergent then thoroughly rinsed.

## EXTERIOR SURFACE

Your Exhaust Unit is a beautifully finished addition to your kitchen. Clean with a mild detergent to preserve its lasting beauty.

# SERVICE PARTS



Key No.	Part No.	Description
1	R730090	Motor/Fan Blade
2	R111447	Light Socket
3	R610027	Aluminum Filter
4	97016971	Motor Switch - White (Includes light switch)
	97016970	Motor Switch - Black (Includes light switch)
5	97016971	Light Switch - White (Includes motor switch)
	97016970	Light Switch - Black (Includes motor switch)
6	R668132	Cover Assembly
7	R602539	Screw

# WARRANTY

## Broan-NuTone One Year Limited Warranty

Broan-NuTone warrants to the original consumer purchaser of its products that such products will be free from defects in materials or workmanship for a period of one year from the date of original purchase. THERE ARE NO OTHER WARRANTIES, EXPRESS OR IMPLIED, INCLUDING, BUT NOT LIMITED TO, IMPLIED WARRANTIES OF MERCHANTABILITY OR FITNESS FOR A PARTICULAR PURPOSE.

During this one-year period, Broan-NuTone will, at its option, repair or replace, without charge, any product or part which is found to be defective under normal use and service.

THIS WARRANTY DOES NOT EXTEND TO FLUORESCENT LAMP STARTERS AND TUBES.

This warranty does not cover (a) normal maintenance and service or (b) any products or parts which have been subject to misuse, negligence, accident, improper maintenance or repair (other than by Broan-NuTone), faulty installation or installation contrary to recommended installation instructions.

The duration of any implied warranty is limited to the one-year period as specified for the express warranty. Some states do not allow limitation on how long an implied warranty lasts, so the above limitation may not apply to you.

BROAN-NUTONE'S OBLIGATION TO REPAIR OR REPLACE, AT BROAN-NUTONE'S OPTION, SHALL BE THE PURCHASER'S SOLE AND EXCLUSIVE REMEDY UNDER THIS WARRANTY. BROAN-NUTONE SHALL NOT BE LIABLE FOR INCIDENTAL, CONSEQUENTIAL OR SPECIAL DAMAGES ARISING OUT OF OR IN CONNECTION WITH PRODUCT USE OR PERFORMANCE. Some states do not allow the exclusion or limitation of incidental or consequential damages, so the above limitation or exclusion may not apply to you.

This warranty gives you specific legal rights, and you may also have other rights, which vary from state to state. This warranty supersedes all prior warranties.

To qualify for warranty service, you must (a) notify Broan-NuTone at the address or phone number below, (b) give the model number and part identification and (c) describe the nature of any defect in the product or part. At the time of requesting warranty service, you must present evidence of the original purchase date.

Broan-NuTone LLC Hartford, Wisconsin www.broan.com 800-558-1711

Broan-NuTone Canada Mississauga, Ontario www.broan.ca 877-896-1119