

This Owner's Manual is provided and hosted by [Appliance Factory Parts](#).



BROAN PM25BL Owner's Manual

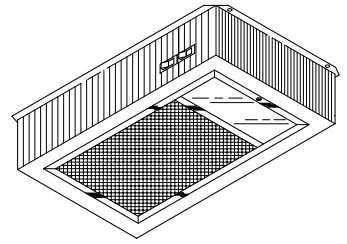
[Shop genuine replacement parts for BROAN PM25BL](#)



[Find Your BROAN HVAC Parts - Select From 1309 Models](#)

----- Manual continues below -----

MODEL PM25 POWER MODULE



FEATURES

- Two-speed motor
- Rocker switch controls
- 6⁵/₈" Fan, 250 CFM, 7.0 Sones
- 7" round ducted or non-ducted discharge
- Enclosed light
- Accepts one incandescent max. 60-watt bulb (not included)
- One-piece, washable aluminum mesh filter
- Optional, disposable charcoal filter kit - #354NDK
- Durable, powder coated finish
- All edges hemmed for safety and strength
- One Year Limited Warranty

TYPICAL SPECIFICATION

PowerModule shall be Broan Model PM25WW (PM25BL). Power Module shall have a two-speed motor and enclosed light, controlled by rocker switches.

Fan must be convertible between ducted and non-ducted discharge. Ducted mode uses 7" duct and washable aluminum mesh filter. Non-ducted mode uses optional, disposable charcoal filter.

Unit shall have a durable, powder coated finish with all edges hemmed.

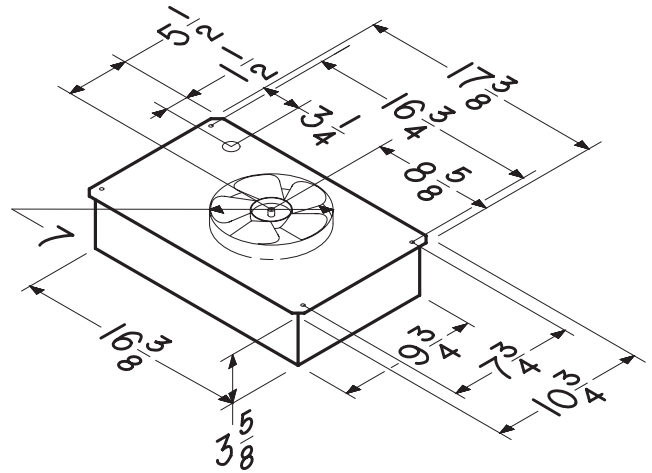
Air delivery to be at least 250 CFM and sound levels not greater than 7.0 Sones. Unit shall be U.L. listed.

SPECIFICATIONS

VOLTS	AMPS	CFM	SONES	DUCT
120	2.5	250	7.0	7-in. round



HVI-2100 CERTIFIED RATINGS comply with new testing technologies and procedures prescribed by the Home Ventilating Institute, for off-the-shelf products, as they are available to consumers. Product performance is rated at 0.1 in. static pressure, based on tests conducted in AMCA's state-of-the-art test laboratory. Sones are a measure of humanly-perceived loudness, based on laboratory measurements.



Broan-NuTone LLC, 926 West State Street, Hartford, WI 53027 (1-800-637-1453)

NuTone, Inc., 4820 Red Bank Road, Cincinnati, OH 45227 (1-800-543-8687)

Broan-NuTone Canada, Inc., 1140 Tristar Drive, Mississauga, Ontario L5T 1H9 (1-888-882-7626)

REFERENCE	QTY.	REMARKS	Project
			Location
			Architect
			Engineer
			Contractor
			Submitted by
			Date