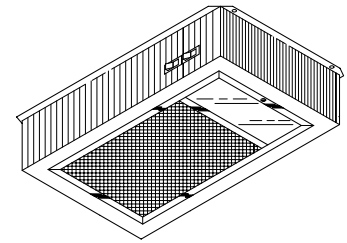


# MODEL PM25 POWER MODULE



### FEATURES

- Two-speed motor
- Rocker switch controls
- 6<sup>5</sup>/<sub>8</sub>" Fan, 250 CFM, 7.0 Sones
- 7" round ducted or non-ducted discharge
- Enclosed light
- Accepts one incandescent max. 60-watt bulb (not included)
- One-piece, washable aluminum mesh filter
- Optional, disposable charcoal filter kit - #354NDK
- Durable, powder coated finish
- All edges hemmed for safety and strength
- One Year Limited Warranty

### TYPICAL SPECIFICATION

Power Module shall be Broan Model PM25WW (PM25BL).

Power Module shall have a two-speed motor and enclosed light, controlled by rocker switches.

Fan must be convertible between ducted and non-ducted discharge. Ducted mode uses 7" duct and washable aluminum mesh filter. Non-ducted mode uses optional, disposable charcoal filter.

Unit shall have a durable, powder coated finish with all edges hemmed.

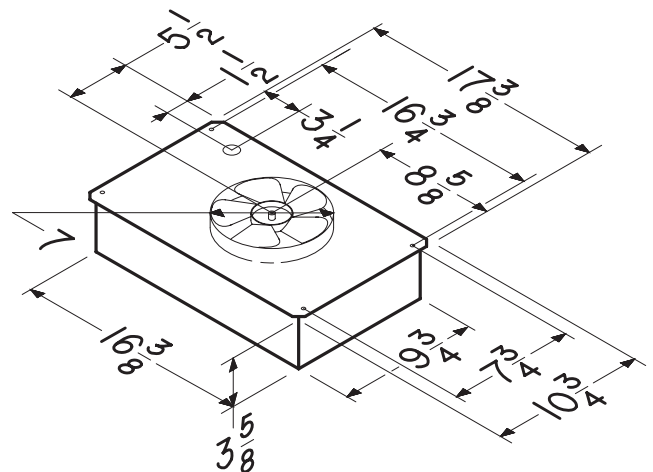
Air delivery to be at least 250 CFM and sound levels not greater than 7.0 Sones. Unit shall be U.L. listed.

### SPECIFICATIONS

| VOLTS | AMPS | CFM | SONES | DUCT        |
|-------|------|-----|-------|-------------|
| 120   | 2.5  | 250 | 7.0   | 7-in. round |



HVI-2100 CERTIFIED RATINGS comply with new testing technologies and procedures prescribed by the Home Ventilating Institute, for off-the-shelf products, as they are available to consumers. Product performance is rated at 0.1 in. static pressure, based on tests conducted in AMCA's state-of-the-art test laboratory. Sones are a measure of humanly-perceived loudness, based on laboratory measurements.



Broan-NuTone LLC, 926 West State Street, Hartford, WI 53027 (1-800-637-1453)

NuTone, Inc., 4820 Red Bank Road, Cincinnati, OH 45227 (1-800-543-8687)

Broan-NuTone Canada, Inc., 1140 Tristar Drive, Mississauga, Ontario L5T 1H9 (1-888-882-7626)

| REFERENCE | QTY. | REMARKS | Project  |
|-----------|------|---------|--|
|           |      |         | Location   |
|           |      |         | Architect  |
|           |      |         | Engineer   |
|           |      |         | Contractor   |
|           |      |         | Submitted by <span style="float: right;">Date</span> |