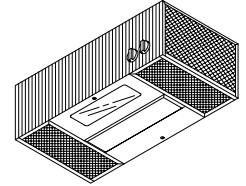


POWER MODULE



READ AND SAVE THESE INSTRUCTIONS

 **INTENDED FOR DOMESTIC COOKING ONLY** 

WARNING  

TO REDUCE THE RISK OF FIRE, ELECTRIC SHOCK, OR INJURY TO PERSONS, OBSERVE THE FOLLOWING:

1. Use this unit only in the manner intended by the manufacturer. If you have questions, contact the manufacturer at the address or telephone number listed in the warranty.
2. Before servicing or cleaning unit, switch power off at service panel and lock the service disconnecting means to prevent power from being switched on accidentally. When the service disconnecting means cannot be locked, securely fasten a prominent warning device, such as a tag, to the service panel.
3. Installation work and electrical wiring must be done by a qualified person(s) in accordance with all applicable codes and standards, including fire-rated construction codes and standards.
4. Sufficient air is needed for proper combustion and exhausting of gases through the flue (chimney) of fuel burning equipment to prevent backdrafting. Follow the heating equipment manufacturer's guideline and safety standards such as those published by the National Fire Protection Association (NFPA), and the American Society of Heating, Refrigeration and Air Conditioning Engineers (ASHRAE), and the local code authorities.
5. When cutting or drilling into wall or ceiling, do not damage electrical wiring and other hidden utilities.
6. To reduce the risk of fire or electric shock, do not use this range hood with an additional speed control device.
7. Ducted fans must always be vented to the outdoors.
8. To reduce the risk of fire, use only metal ductwork.
9. Use with approved cord-connection kit only.
10. This unit must be grounded.

TO REDUCE THE RISK OF A RANGE TOP GREASE FIRE:

1. Never leave surface units unattended at high settings. Boilovers cause smoking and greasy spillovers that may ignite. Heat oils slowly on low or medium settings.
2. Always turn hood ON when cooking at high heat or when cooking flaming foods.
3. Clean ventilating fans frequently. Grease should not be allowed to accumulate on fan or filter.
4. Use proper pan size. Always use cookware appropriate for the size of the surface element.

WARNING  

TO REDUCE THE RISK OF INJURY TO PERSONS IN THE EVENT OF A RANGE TOP GREASE FIRE, OBSERVE THE FOLLOWING:*

1. **SMOTHER FLAMES** with a close-fitting lid, cookie sheet, or metal tray, then turn off the burner. **BE CAREFUL TO PREVENT BURNS.** If the flames do not go out immediately, **EVACUATE AND CALL THE FIRE DEPARTMENT.**
 2. **NEVER PICK UP A FLAMING PAN** — You may be burned.
 3. **DO NOT USE WATER**, including wet dishcloths or towels - violent steam explosion will result.
 4. Use an extinguisher **ONLY** if:
 - A. You know you have a Class ABC extinguisher and you already know how to operate it.
 - B. The fire is small and contained in the area where it started.
 - C. The fire department is being called.
 - D. You can fight the fire with your back to an exit.
- * Based on "Kitchen Fire Safety Tips" published by NFPA.

CAUTION 

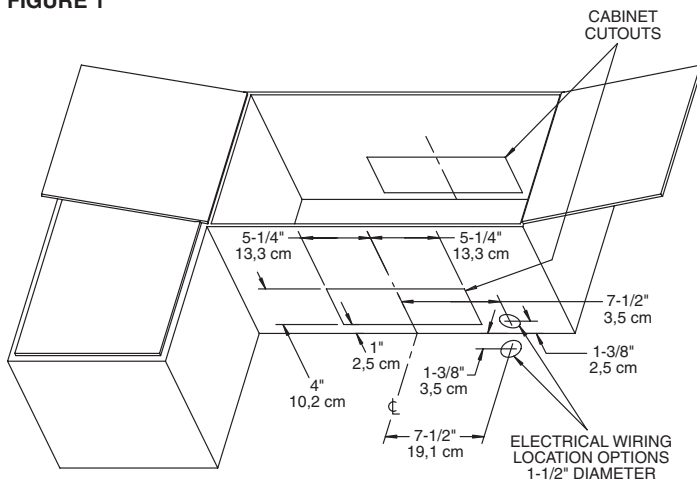
1. For general ventilating use only. Do not use to exhaust hazardous or explosive materials and vapors.
2. To avoid motor bearing damage and noisy and/or unbalanced impellers, keep drywall spray, construction dust, etc. off power unit.
3. For best capture of cooking impurities, your range hood should be mounted so that the top of the hood is 24-30" above the cooking surface.
4. Please read specification label on product for further information and requirements.

Installer: Leave this manual with the homeowner.
Homeowner: Operating and Cleaning information on page 3.

VENTILATING AND WIRING CUTOUTS

1. Mark locations on cabinet for ventilating duct and electrical wiring from the dimensions given (FIGURE 1).
2. Cut holes at the marked locations to accommodate the ventilating duct and electrical wiring. Be sure to minimize openings, these will have to be sealed later.
3. Run house wiring through 1-1/2" diameter hole in cabinet or wall. Be sure all wiring is in accordance with the National Electrical Code and local ordinances.

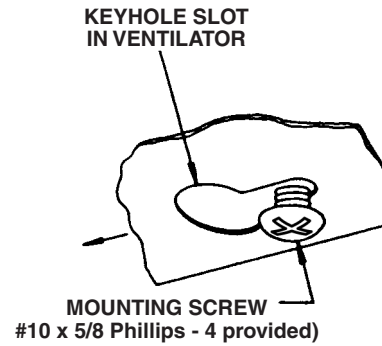
FIGURE 1



INSTALLATION

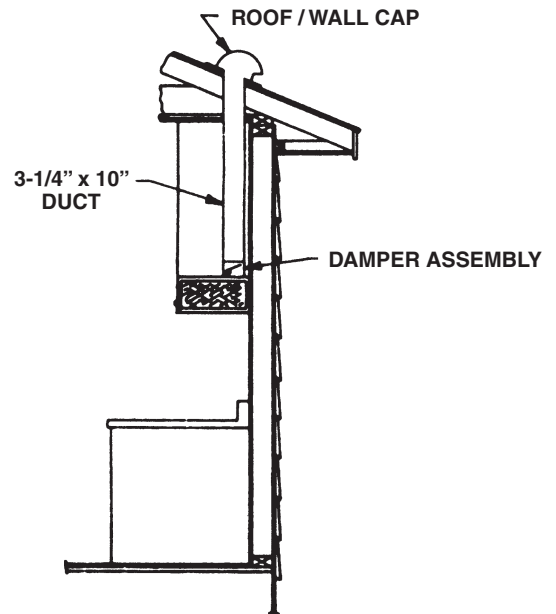
1. Remove the blower/lens cover and filters for easier installation. See the exploded assembly illustration (FIGURE 5). Remove the shipping material from the inside of the ventilator.
2. Lift the ventilator into position. Mark the screw hole locations, on the cabinet, at the center of the narrow end of each of the (4) keyhole slots.
3. Remove the unit. Start each mounting screw into the cabinet at the positions marked in Step 2. (FIGURE 2)

FIGURE 2



4. Attach the 3/4" x 10" damper assembly to the discharge opening in the ventilator housing. Use the sheet metal screws (#8 x 1/4) provided.
5. Remove the junction box cover and appropriate electrical knockout from the ventilator for access to the wiring.
6. Install the proper ductwork (FIGURE 3). Use duct tape to make connections secure and air tight.

FIGURE 3

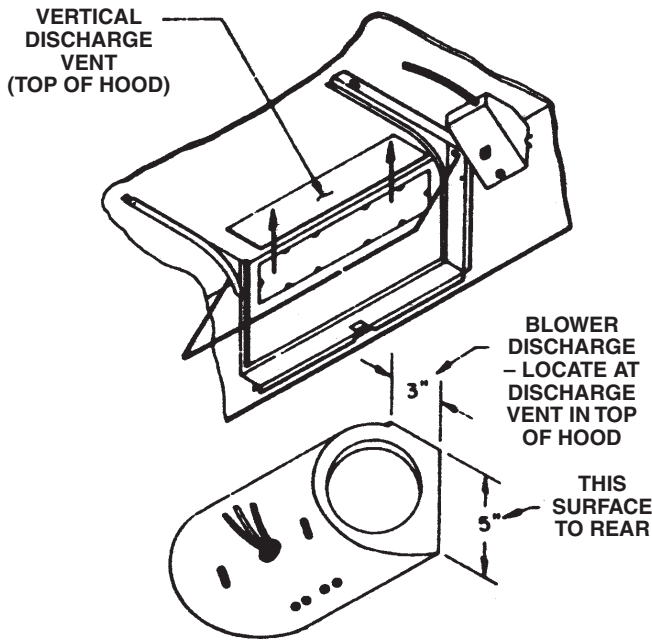


7. Lift the ventilator into position and feed the house wiring through the ventilator's electrical knockout.
8. Tighten the (4) mounting screws to secure the ventilator to the cabinet. Be sure the screw heads remain in the narrow end of the keyhole slots (FIGURE 2).
9. Complete the electrical wiring in the junction box, according to the National Electrical Code and local ordinances.
10. Replace the junction box cover.
11. Install a 75-Watt (maximum) light bulb.
12. Replace the blower/lens cover and filters.

BLOWER ORIENTATION

IMPORTANT: Be sure the blower is correctly orientated. Note arrow on the side of the blower housing indicating the correct air flow direction (FIGURE 4).

FIGURE 4 – VERTICAL DISCHARGE



CLEANING INFORMATION

FILTER

For greatest efficiency, the aluminum filters should be removed and cleaned periodically. To remove the filters, loosen the screw in the center of each filter.

To clean, the filter should be soaked in hot water and detergent then thoroughly rinsed. The aluminum filter can be cleaned in a dishwasher.

EXTERIOR SURFACE

To preserve its lasting beauty, clean with a mild detergent. **DO NOT** use abrasive cleaners.

MOTOR SPEED TROUBLESHOOTING

If you have a motor speed problem, please check the following list for possible troubles.

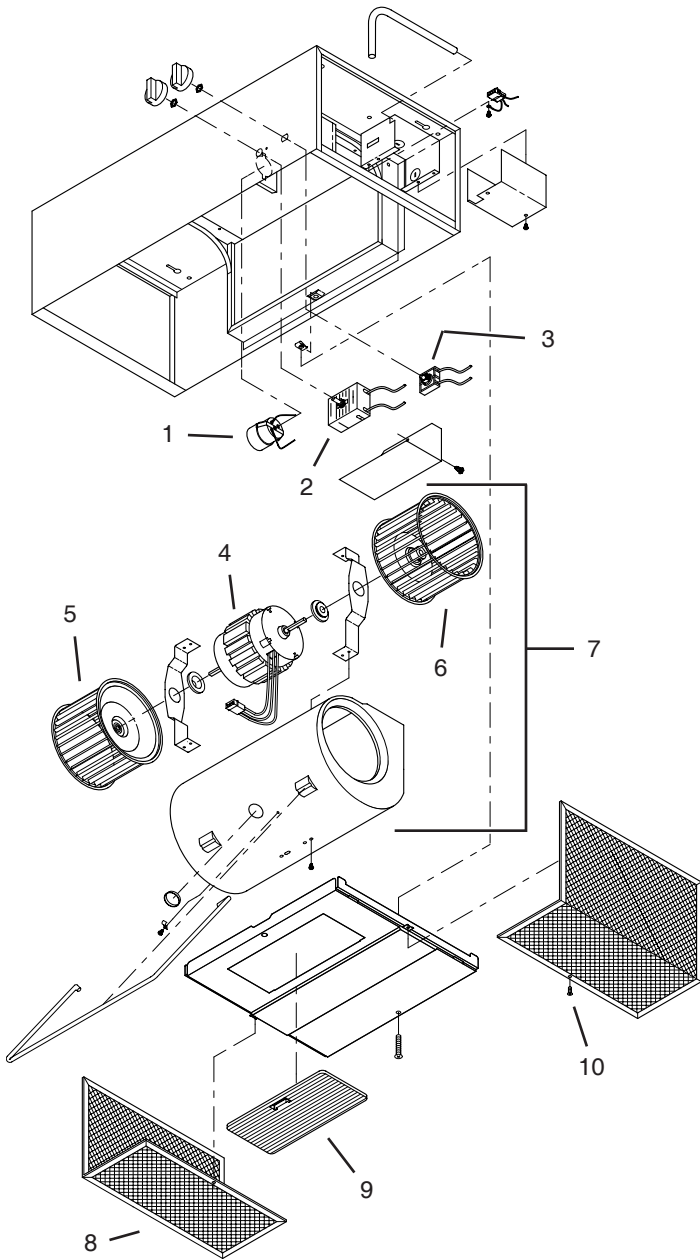
1. Blower assembly installed wrong - intended for vertical discharge, but installed for horizontal discharge (FIGURE 4).
2. Damper flap - not opening.
3. Reduced airflow because the duct is too small, too long, or has too many transitions in the system.
4. Restriction in the duct (foreign matter, debris).
5. Undersized or restrictive roof or wall cap.
6. Damper flap in roof or wall cap - not opening.
7. Wait for 20-30 seconds between speed changes for RPM to adjust.

By removing or correcting these adverse factors, the motor speed control will be able to decrease from maximum RPM.

TO CHANGE LIGHT BULB

Remove lens cover by squeezing the retention tab and rotating the lens out. Remove old bulb and replace with a 75-Watt (maximum) bulb. Replace lens cover.

SERVICE PARTS



Key No.	Part No.	Description
1	R566066	Lampholder
2	R567073	Motor, Speed Control
3	R561107	3-Pos. Rotary Light Switch
4	R520098	Motor
5	R531041	Blower Wheel CW
6	R531042	Blower Wheel CCW
7	R730079	Blower Assembly (includes Key Nos. 4, 5, 6)
8	R610080	Filter
	R610081	Filter (combination) used with 355NDK Kit
9	97013316	Light Lens
10	R602539	Screw
*	355NDK	Non-Duct Recirculation Kit

* Optional accessory - purchase separately.

WARRANTY

BROAN-NUTONE ONE YEAR LIMITED WARRANTY

Broan-NuTone warrants to the original consumer purchaser of its products that such products will be free from defects in materials or workmanship for a period of one year from the date of original purchase. THERE ARE NO OTHER WARRANTIES, EXPRESS OR IMPLIED, INCLUDING, BUT NOT LIMITED TO, IMPLIED WARRANTIES OF MERCHANTABILITY OR FITNESS FOR A PARTICULAR PURPOSE.

During this one-year period, Broan-NuTone will, at its option, repair or replace, without charge, any product or part which is found to be defective under normal use and service.

THIS WARRANTY DOES NOT EXTEND TO FLUORESCENT LAMP STARTERS AND TUBES. This warranty does not cover (a) normal maintenance and service or (b) any products or parts which have been subject to misuse, negligence, accident, improper maintenance or repair (other than by Broan-NuTone), faulty installation or installation contrary to recommended installation instructions.

The duration of any implied warranty is limited to the one-year period as specified for the express warranty. Some states do not allow limitation on how long an implied warranty lasts, so the above limitation may not apply to you.

BROAN-NUTONE'S OBLIGATION TO REPAIR OR REPLACE, AT BROAN-NUTONE'S OPTION, SHALL BE THE PURCHASER'S SOLE AND EXCLUSIVE REMEDY UNDER THIS WARRANTY. BROAN-NUTONE SHALL NOT BE LIABLE FOR INCIDENTAL, CONSEQUENTIAL OR SPECIAL DAMAGES ARISING OUT OF OR IN CONNECTION WITH PRODUCT USE OR PERFORMANCE. Some states do not allow the exclusion or limitation of incidental or consequential damages, so the above limitation or exclusion may not apply to you.

This warranty gives you specific legal rights, and you may also have other rights, which vary from state to state. This warranty supersedes all prior warranties.

To qualify for warranty service, you must (a) notify Broan-NuTone at the address or phone number below, (b) give the model number and part identification and (c) describe the nature of any defect in the product or part. At the time of requesting warranty service, you must present evidence of the original purchase date.

Broan-NuTone LLC Hartford, Wisconsin www.broan.com 800-558-1711
 Broan-NuTone Canada Mississauga, Ontario www.broan.ca 877-896-1119