

This Owner's Manual is provided and hosted by [Appliance Factory Parts](#).



BROAN E6036SS Owner's Manual

[Shop genuine replacement parts for BROAN E6036SS](#)

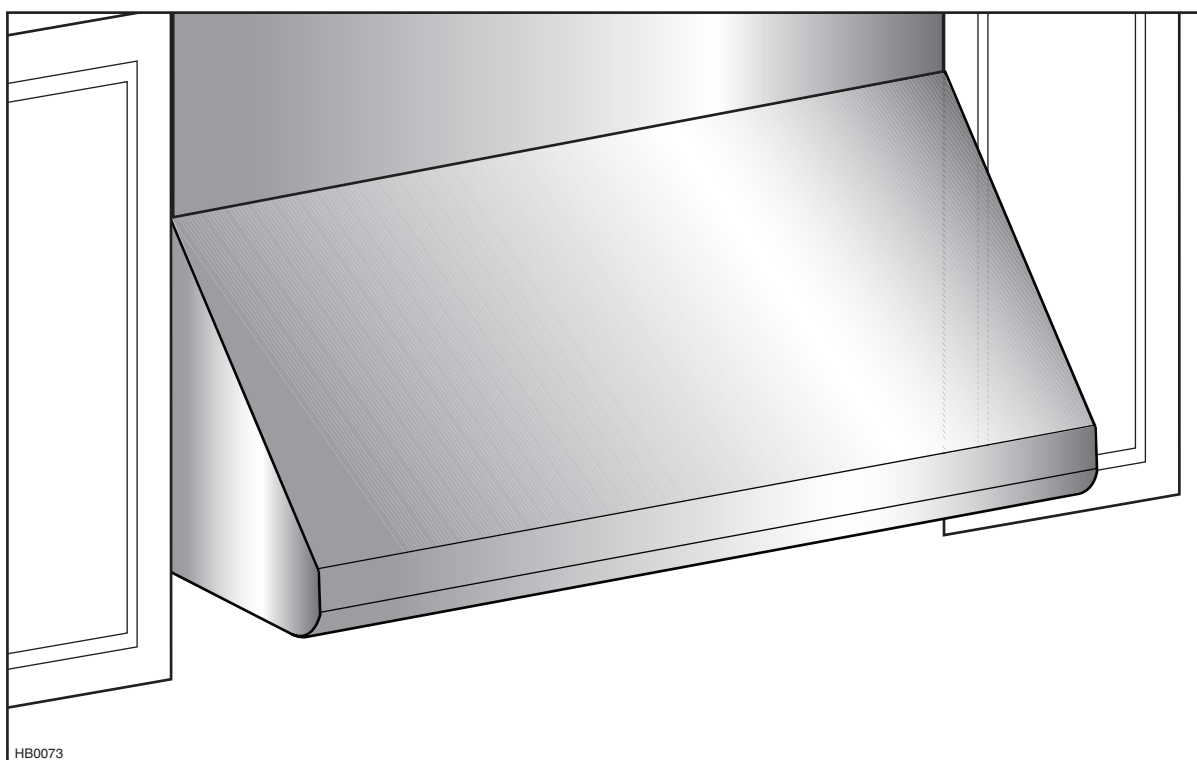


[Find Your BROAN HVAC Parts - Select From 1309 Models](#)

----- Manual continues below -----

INSTALLATION INSTRUCTIONS

BROAN[®] *Elite*



HB0073

E6000 SERIES

⚠ INTENDED FOR DOMESTIC COOKING ONLY ⚠

READ AND SAVE THESE INSTRUCTIONS

INSTALLER: LEAVE THIS MANUAL WITH HOMEOWNER.
HOMEOWNER: USE AND CARE INFORMATION ON PAGE 13 AND 14.

Broan-NuTone LLC; Hartford, Wisconsin www.broan.com 800-558-1711
Broan-NuTone Canada; Mississauga, Ontario www.broan.ca 877-896-1119

REGISTER YOUR PRODUCT ON LINE AT: www.broan.com/register

SV08340 rev. C

WARNING

TO REDUCE THE RISK OF FIRE, ELECTRIC SHOCK OR INJURY TO PERSONS, OBSERVE THE FOLLOWING:

1. Use this unit only in the manner intended by the manufacturer. If you have questions, contact the manufacturer at the address or telephone number listed in the warranty.
2. Before servicing or cleaning unit, switch power off at service panel and lock service disconnecting means to prevent power from being switched on accidentally. When the service disconnecting means cannot be locked, securely fasten a prominent warning device, such as a tag, to the service panel.
3. Installation work and electrical wiring must be done by qualified personnel in accordance with all applicable codes and standards, including fire-rated construction codes and standards.
4. Sufficient air is needed for proper combustion and exhausting of gases through the flue (chimney) of fuel burning equipment to prevent backdrafting. Follow the heating equipment manufacturer's guidelines and safety standards such as those published by the National Fire Protection Association (NFPA), and the American Society for Heating, Refrigeration and Air Conditioning Engineers (ASHRAE), and the local code authorities.
5. When cutting or drilling into wall or ceiling, do not damage electrical wiring and other hidden utilities.
6. Ducted fans must always be vented to the outdoors.
7. Do not use this unit with any additional solid-state speed control device.
8. To reduce the risk of fire, use only steel ductwork.
9. This unit must be grounded.
10. When applicable local regulations comprise more restrictive installation and/or certification requirements, the aforementioned requirements prevail on those of this document and the installer agrees to conform to these at his own expenses

TO REDUCE THE RISK OF A RANGE TOP GREASE FIRE:

- a) Never leave surface units unattended at high settings. Boilovers cause smoking and greasy spillovers that may ignite. Heat oils slowly on low or medium settings.
- b) Always turn hood ON when cooking at high heat or when flambeing food (i.e.: Crêpes Suzette, Cherries Jubilee, Peppercorn Beef Flambé).
- c) Clean ventilating fans frequently. Grease should not be allowed to accumulate on fan or filter.
- d) Use proper pan size. Always use cookware appropriate for the size of the surface element.

WARNING

TO REDUCE THE RISK OF INJURY TO PERSONS IN THE EVENT OF A RANGE TOP GREASE FIRE, OBSERVE THE FOLLOWING*:

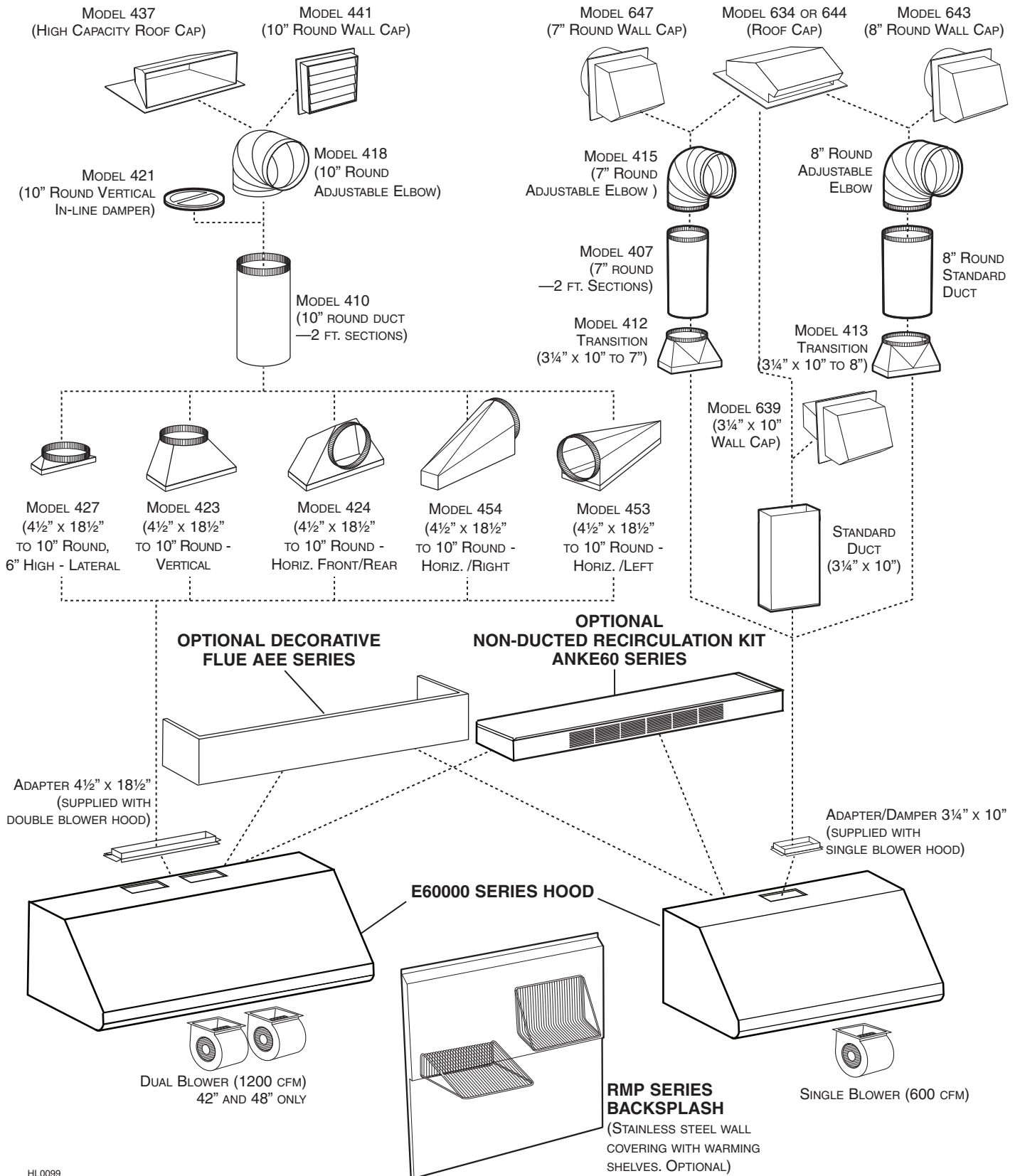
1. SMOTHER FLAMES with a close-fitting lid, cookie sheet or metal tray, then turn off the burner. BE CAREFUL TO PREVENT BURNS. IF THE FLAMES DO NOT GO OUT IMMEDIATELY, EVACUATE AND CALL THE FIRE DEPARTMENT.
2. NEVER PICK UP A FLAMING PAN—You may be burned.
3. DO NOT USE WATER, including wet dishcloths or towels—This could cause a violent steam explosion.
4. Use an extinguisher ONLY if:
 - A. You own a Class ABC extinguisher and you know how to operate it.
 - B. The fire is small and contained in the area where it started.
 - C. The fire department has been called.
 - D. You can fight the fire with your back to an exit.

* Based on "Kitchen Fire Safety Tips" published by NFPA.

CAUTION

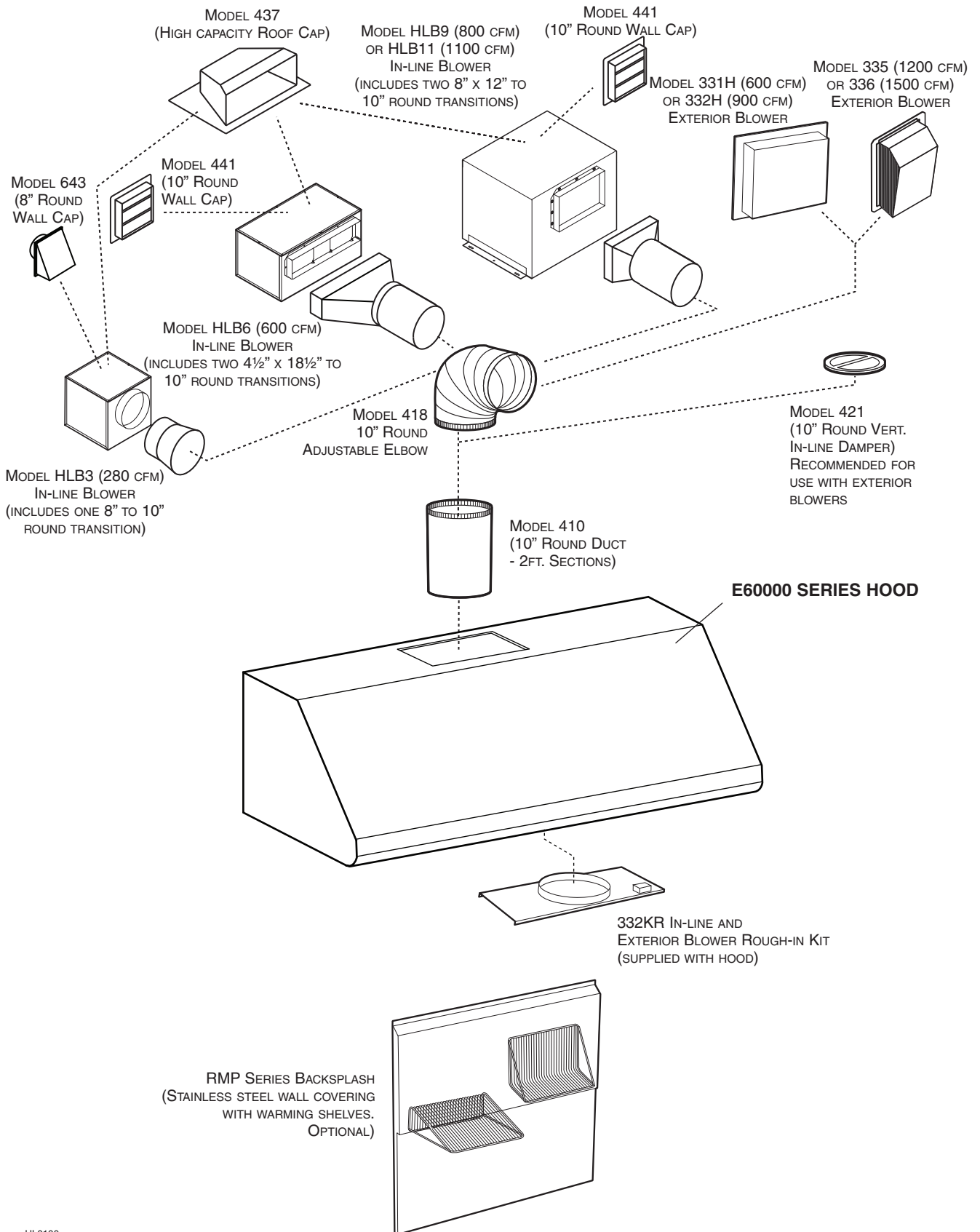
1. For indoor use only.
2. For general ventilating use only. Do not use to exhaust hazardous or explosive materials and vapors.
3. To avoid motor bearing damage and noisy and/or unbalanced impellers, keep drywall spray, construction dust, etc. off power unit.
4. Your hood motor has a thermal overload which will automatically shut off the motor if it becomes overheated. The motor will restart when it will be cooled down. If the motor continues to shut off and restart, have the hood serviced.
5. For best capture of cooking impurities, the bottom of the hood should be at a minimum of 24" and at a maximum of 30" above the cooking surface.
6. Two installers are recommended because of the large size and weight of this hood.
7. To reduce the risk of fire and to properly exhaust air, be sure to duct air outside—Do not exhaust air into spaces within walls or ceiling or into attics, crawl space or garage.
8. This product is equipped with a thermostat which may start blower automatically. To reduce the risk of injury and to prevent power from being switched on accidentally, switch power off at service panel and lock or tag service panel.
9. Because of the high exhausting capacity of this hood, you should make sure enough air is entering the house to replace exhausted air. Use an appropriate make-up air device or open a window close to or in the kitchen.
10. To reduce the risk of fire and electric shock, the Broan Elite E60E Series hood must be installed with one Broan exterior blower model 331H, 332H, 335 or 336; or one Broan in-line blower model HLB3, HLB6, HLB9, HLB11. Other blowers cannot be substituted. (Exterior or in-line blowers sold separately.)
11. Please read specification label on product for further information and requirements.

- E6000 SERIES RANGE HOOD SYSTEM - INTERNAL BLOWERS



HL0099

- E60000 SERIES RANGE HOOD SYSTEM - IN-LINE AND EXTERIOR BLOWERS



HL0100

1. SELECT BLOWER OPTION AND INSTALLATION TYPE

1.1 NON-DUCTED INSTALLATION

For a non-ducted installation, a recirculation kit ANKE60 Series (sold separately) must be installed. For maximum effectiveness, we recommend installing this kit with a single (internal) blower hood. The kit fits hood from 30-inch width up to 48-inch width. See installation instructions included with the non-duct kit ANKE60 Series.

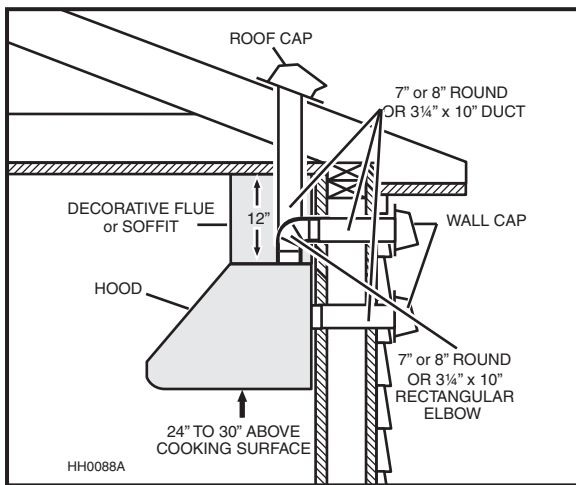
1.2 DUCTED INSTALLATION

The Broan Elite E60000 Series range hood includes many configurations: hoods with single or double internal blowers (included with the hood), or hoods using external blowers. For this last category, the Broan Elite E60000 Series must be installed with in-line blower models HLB3, HLB6, HLB9 or HLB11, or exterior blower model 331H, 332H, 335 or 336 only. Other blowers cannot be substituted. (Blowers sold separately).

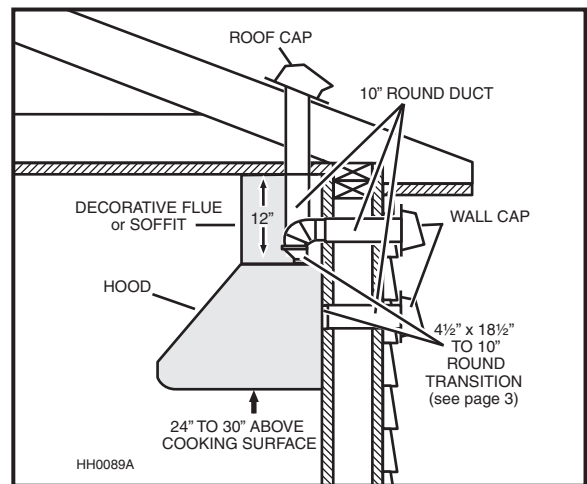
Plan where and how the ductwork will be installed.

If installing in-line blower, refer to instructions packed with in-line blower and follow steps 1, 2, 3, 4, 6, 10, 12 and up of this manual.

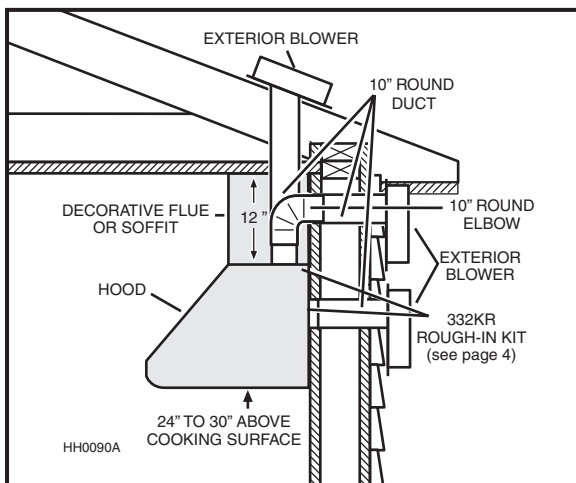
Install proper-sized ductwork, elbows and roof or wall cap for the type of blower you are installing. If using 7", 8" or 10" round ducts, use a transition (internal blowers only). Use 2" duct tape to seal duct joints.



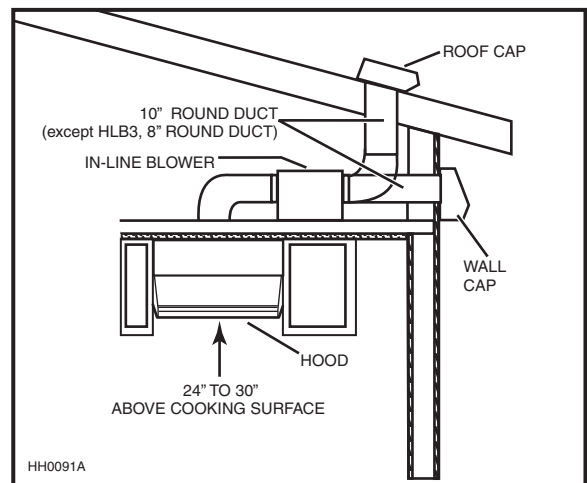
**ONE INTERNAL BLOWER
TYPICAL DUCTWORK**



**TWO INTERNAL BLOWERS
TYPICAL DUCTWORK**



**MODEL 331H, 332H, 335 OR 336
EXTERIOR BLOWER TYPICAL DUCTWORK**



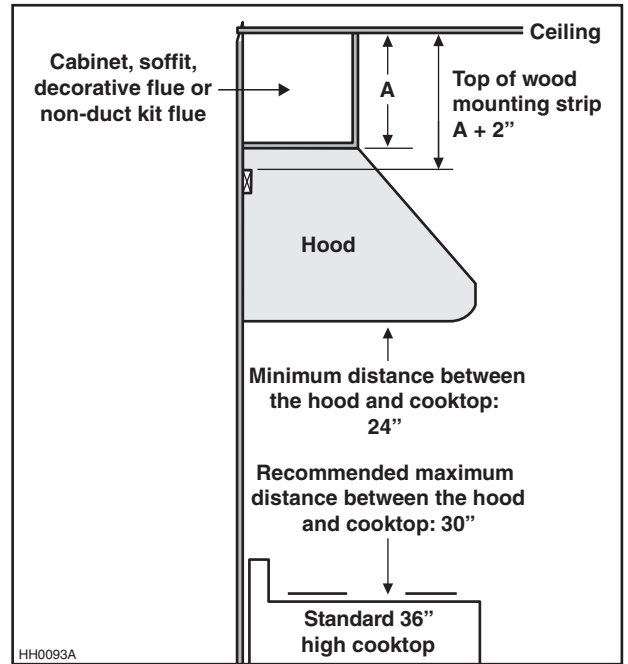
**MODEL HLB3, HLB6, HLB9 OR HLB11
IN-LINE BLOWER TYPICAL DUCTWORK**

2. MEASURE INSTALLATION

Dimensions for the most common installation are illustrated beside.

The minimum hood distance above cooktop must not be less than 24". A maximum of 30" above cooktop is highly recommended for best capture of cooking impurities.

Distances over 30" are at the installer and users discretion.



3. PREPARE THE INSTALLATION

CAUTION

When performing installation, servicing or cleaning the unit, it is recommended to wear safety glasses and gloves.

Remove the installation kit from inside the hood.

Make sure that the following items are included:

-Wood strip (attached to back of hood)

-Installation manual

-Accessories including:

- Baffle filters: 30" and 36" hoods come with 3 baffle filters; 42" and 48" hoods come with 4 baffle filters
- Baffle filters handles (taped inside the hood)
- 3¼" x 10" adapter/damper (included with internal single blower hood)
- 4½" x 18½" adapter (included with internal double blower hood)
- In-line and exterior blower rough-in plate model 332KR (mounted inside all external blower hoods)
- Bag of parts including:
 - (4) flat head screws no. 10-2", (8) screws no. 8 x 3/4", (2) wire connectors, (3) wall anchors,
 - (3) washers 13/64" ID x 3/4" OD, (1) wire clamp, (8) mechanical screws no. 8-32 x 1/4", (4) no. 8 x 3/8" screws

Parts sold separately:

- In-line blower assembly HLB3, HLB6, HLB9 or HLB11 (all include transition)
- Exterior blower assembly 331H, 332H, 335 or 336
- Shielded GU10 50W halogen bulbs (2 required for 30" and 36" hood width, 3 required for 42" and 48" hood width)
- RMP Series Backsplash (optional)
- ANKE60 Series Recirculation kit, mandatory for non-ducted installation (models with built-in blower(s) only)
- AEE Series Decorative flue, to be installed over the hood (optional)
- Transitions, duct, elbows, dampers, wall and roof caps.

Refer to pages 3 and 4 for a complete list of venting options and model numbers.

3. PREPARE THE INSTALLATION (CONT'D)

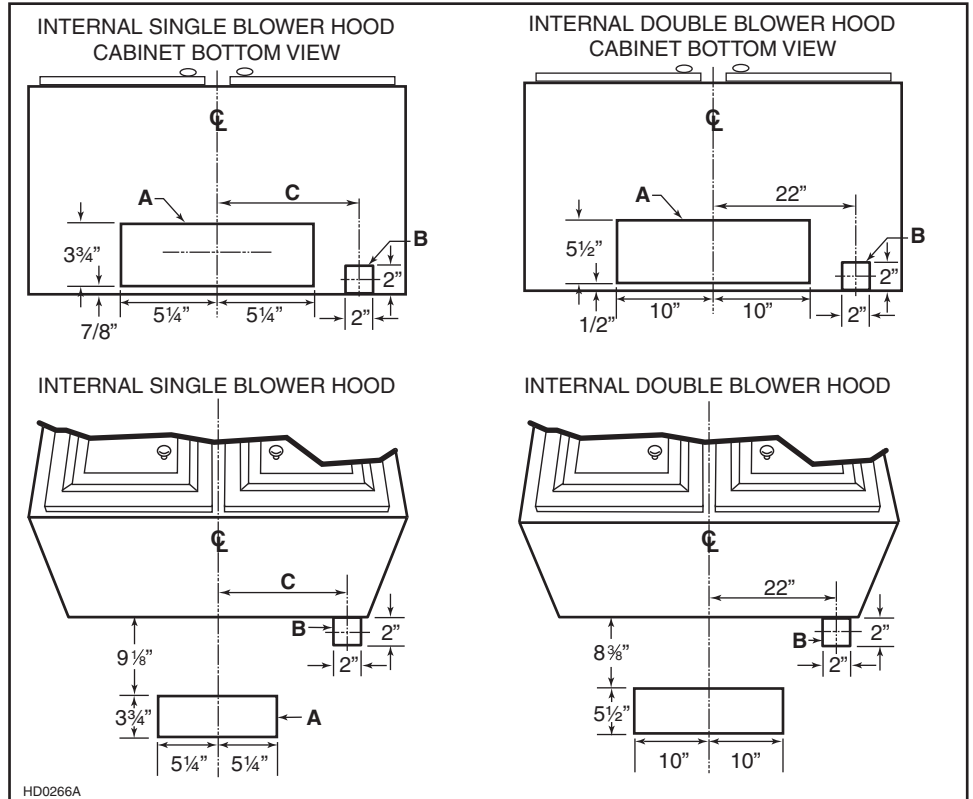
DUCTED INSTALLATIONS ONLY

Cut-out the openings for duct (A) and power cable (B), in cabinet or wall, according to the direction of discharge chosen. See figures below.

NOTE: For all internal blower hoods, the cut-out opening for house wiring can be made in cabinet bottom OR wall, no matter the discharge chosen (vertical or horizontal).

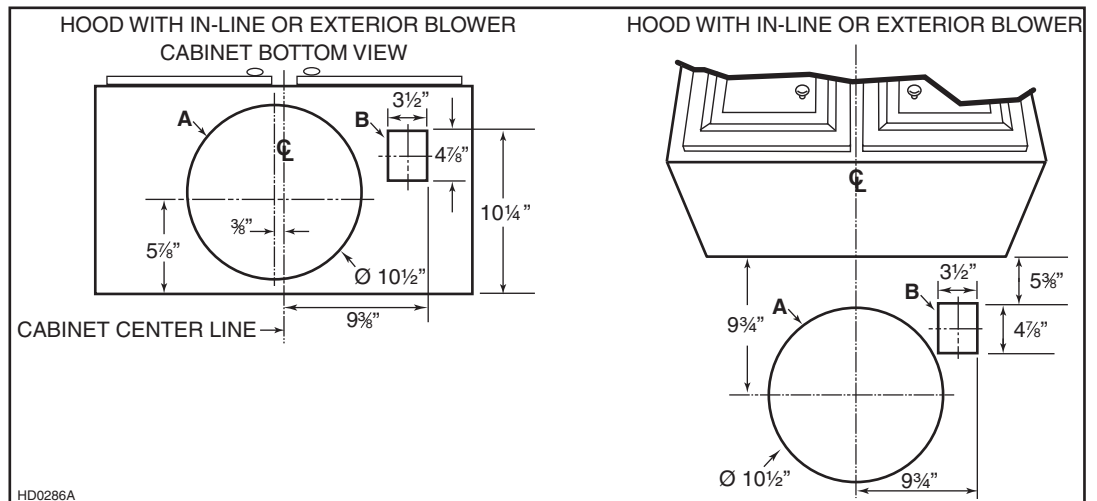
VERTICAL DISCHARGE

HOOD WIDTHS	DIMENSION C
30"	13"
36"	16"
42"	19"
48"	22"



HORIZONTAL DISCHARGE

HOOD WIDTHS	DIMENSION C
30"	13"
36"	16"
42"	19"
48"	22"



4. INSTALL BACKSPLASH (OPTIONAL)

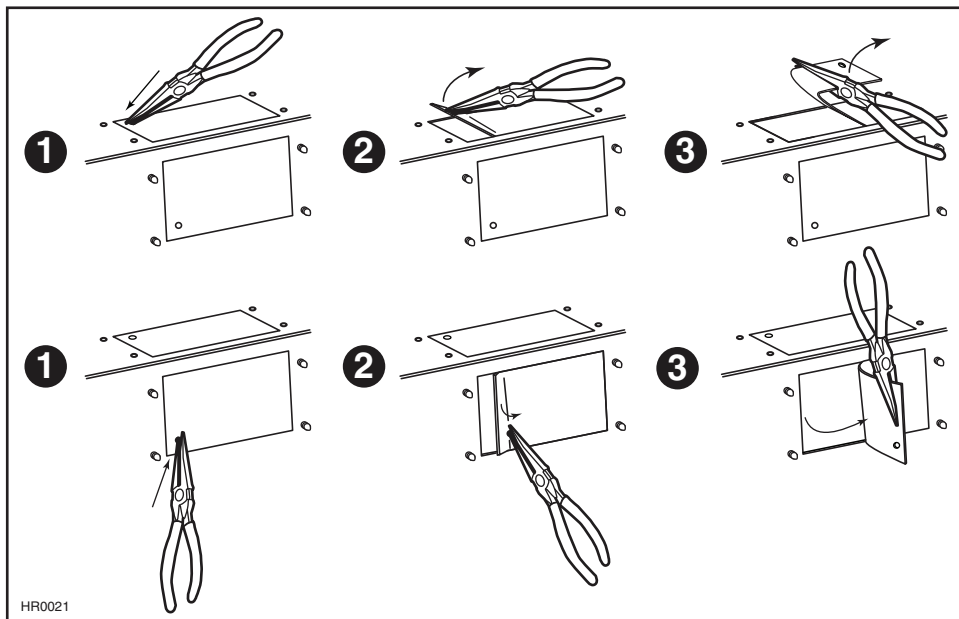
(Optional) RMP Series

Backsplash must be installed before the hood shell because the hood shell covers the backsplash top mounting screws. In order to be able to install the backsplash, make sure you have at least 18" clearance between bottom of hood and range control panel or cooktop. (See instructions packed with backsplash.)

5. CHOOSE THE OPENING(S) (INTERNAL BLOWER(S) HOOD ONLY)

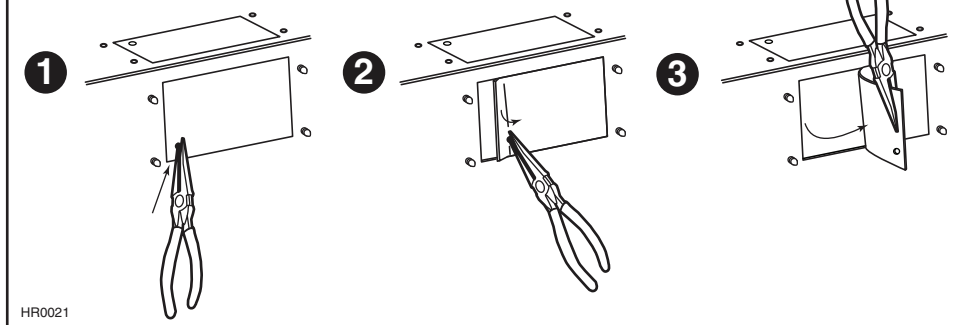
Remove the knockout(s) for the chosen opening(s) (horizontal at the back of the hood or vertical on top). See illustrations below.

VERTICAL DISCHARGE



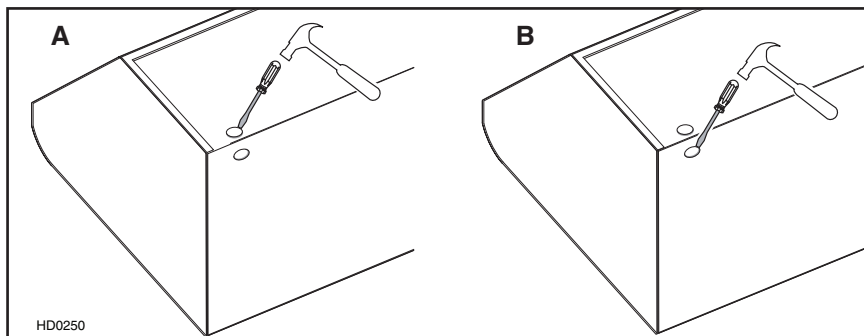
HORIZONTAL DISCHARGE

NOTE: For ducted installation only.



HR0021

Punch out the appropriate electrical knockout hole on top (A) or back (B) of the hood. Install the wire clamp (included in parts bag).
NOTE: For a non-ducted installation, punch out the back electrical knock-out (B).

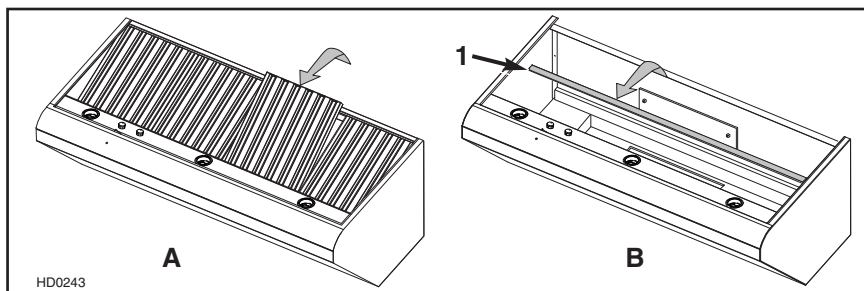


HD0250

6. REMOVE FILTERS AND THE GREASE DRIP RAIL

A. Remove tape on filters.
Remove filters from hood and set aside.
NOTE: It is recommended to start with the center one.

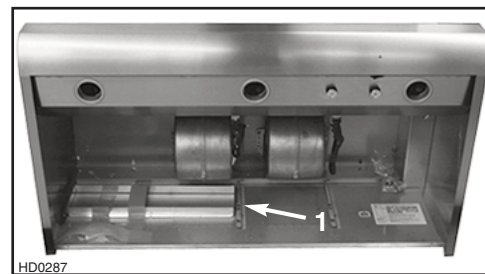
B. Remove tape on grease drip rail (1).
Lift out grease drip rail and set aside.



HD0243

7. REMOVE THE ADAPTER (INTERNAL BLOWER HOODS ONLY)

Remove the adapter (1), or adapter/damper, taped inside the hood.

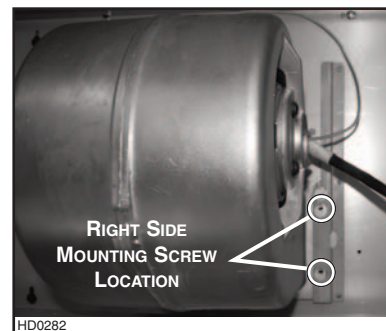
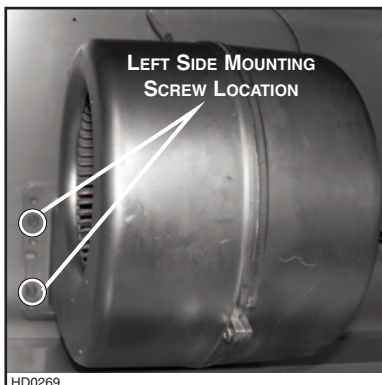


HD0287

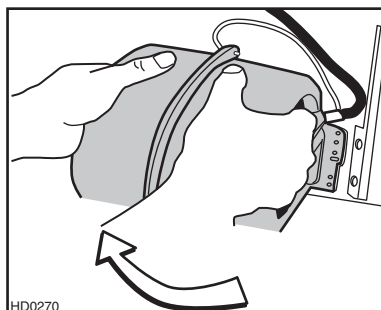
8. HORIZONTAL DISCHARGE INSTALLATION (INTERNAL BLOWER(S) HOOD ONLY)

All internal blower hoods are factory shipped with the blowers mounted for a vertical discharge configuration. For a horizontal discharge configuration, disassemble the blower(s) from the inner top of the hood and mount it (them) to the inner back panel of the hood. The procedure below applies for one or two blowers.

Using a 5/16" socket, remove all blower mounting screws from the inner top of the hood. Keep the screws for further use.

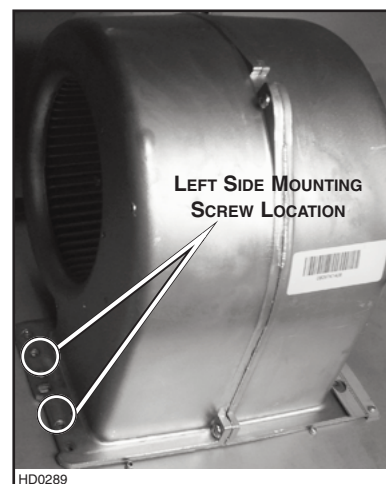


Slide the blower to disengage its flange from the retaining bracket.



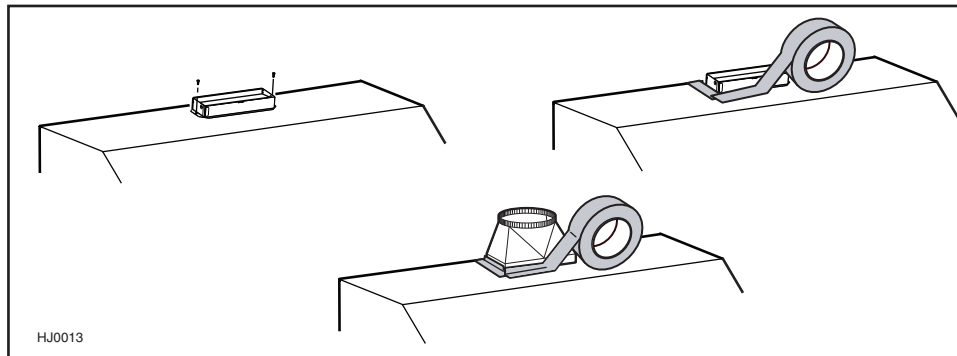
Rotate the blower and engage its flange in the back wall retaining bracket.

Using a 5/16" socket and the screws previously removed, secure the blower to the hood.



9. INSTALL THE ADAPTER AND THE TRANSITION (IF NEED BE) (INTERNAL BLOWER(S) HOOD ONLY)

Using standard 3/8" screws provided, secure the adapter to the top (or back) of the hood (2 screws for a 3 1/4" x 10" adapter/damper and 4 screws for a 4 1/2" x 18 1/2" adapter). Seal the adapter to the hood using duct tape. For round ducting, install an appropriate sized transition and seal the joints with duct tape.



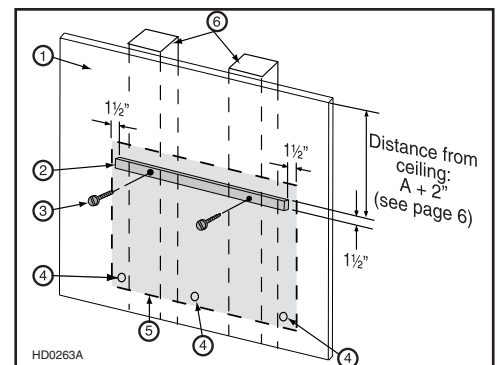
10. INSTALL WOOD MOUNTING STRIP

Measure and mark a level line on wall above cooktop location for the wood mounting strip (see illustration beside and under step 2). Remove wood mounting strip from back of hood.

Use no. 10 - 2" flat head screws to secure the mounting strip to the drywall. Make sure to hit the wall studs.

CAUTION

Due to the weight of this hood, ensure that the wood strip is attached to all of the available studs (2 studs minimum for a 30" width hood, more as hood width increases); not into the drywall alone.



- | | |
|------------------------|-------------------------|
| 1. Drywall | 4. Wall anchor location |
| 2. Wood mounting strip | 5. Back of hood outline |
| 3. Flat head screw | 6. Wall studs |

11. INSTALL ANKE60 RECIRCULATION KIT (NON-DUCTED INSTALLATION ONLY)

Refer to the instructions sheet included with the recirculation kit for details.

12. INSTALL AEE OPTIONAL SOFFIT CHIMNEY (DUCTED INSTALLATION ONLY)

Refer to the instructions sheet included with the optional soffit chimney.

13. INSTALL THE HOOD

CAUTION

Hold the hood until it is completely secured to the wood mounting strip.

INTERNAL BLOWER(S) ONLY

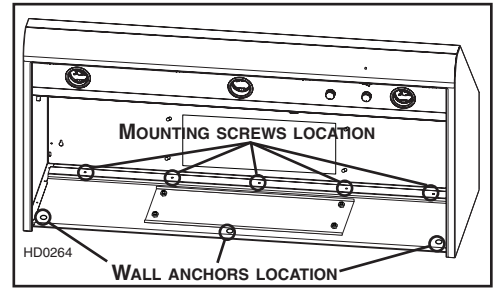
Run power cable to installation location. Remove the electrical compartment cover. Insert the cable in the hood and tighten the wire clamp to secure the cable.

ALL INSTALLATIONS

Rest the back cavity of the hood on the wood mounting strip.

Secure the hood to wood mounting strip with (4) screws no. 8 x 3/4" (for 30" and 36" width hoods) or (6) screws (for 42" and 48" width hoods) provided at locations shown. Drill (3) 3/16" size holes into the drywall for wall anchors through the existing holes in the inside hood back in the locations shown. Then, install the three wall anchors with the remaining no. 8 x 3/4" screws and the (3) washers provided.

For a non-ducted installation, go to step 15, *Connect the wiring*.

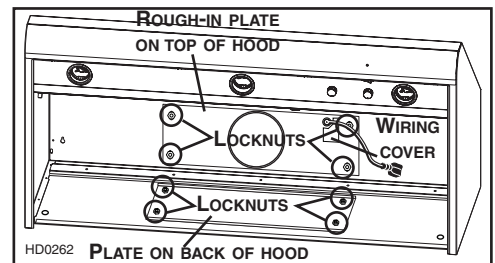


14. ROUGH-IN PLATE LOCATION (EXTERNAL BLOWERS HOODS ONLY)

Run power cable to installation location. For ducting through top of hood, existing plate remains in place on inside back of hood.

For ducting through back of hood, remove existing plate from inside back of hood and remove the rough-in plate from the top of hood. Attach the plate to inside top of hood to cover hole. Secure to threaded studs with same (4) nuts. Install the rough-in plate to the back of hood so that the wiring box is located on the right side as you are facing the hood.

Connect ducting to rough-in plate as you are installing the rough-in plate. Use duct tape to make all joints secure and air-tight.



15. CONNECT THE WIRING (ALL BLOWERS)

⚠ WARNING

Risk of electrical shock. Electrical wiring must be done by qualified personnel in accordance with all applicable codes and standards. Before connecting wires, switch power off at service panel and lock service disconnecting means to prevent power to be switched on accidentally.

Remove wiring cover from rough-in plate or electrical compartment and set aside.

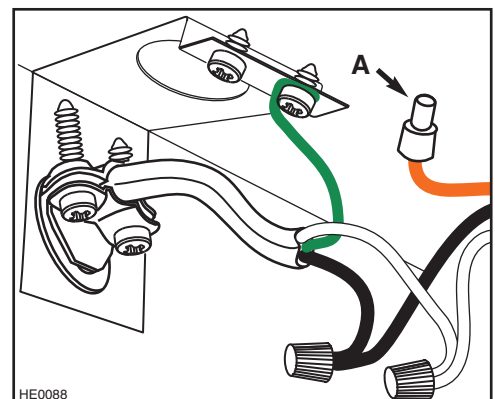
INTERNAL BLOWERS: Connect cable into wiring box using wire connectors. Connect BLACK to BLACK, WHITE to WHITE and GREEN or bare wire under GREEN ground screw.

CAUTION

The ORANGE wire (A) is for make-up air device connection only. If there is no make-up air device, never remove the cap on the ORANGE wire end.

Reinstall wiring cover.

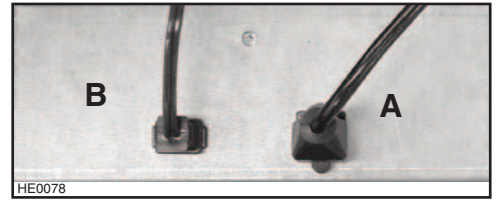
IN-LINE OR EXTERIOR BLOWERS: See instructions included with blower.



16. INSTALL THE BLOWER (EXTERIOR OR IN-LINE BLOWER)

Refer to instructions included with blower.

Plug the 3-prong plug cord from rough-in plate to the 3-prong male connector inside the hood (A) and the 2-prong male connector cord from rough-in plate to the 2-prong plug inside the hood (B).

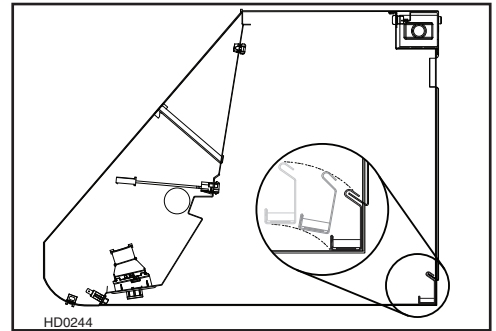


⚠ WARNING

Do not plug the 2 cords together.

17. REINSTALL GREASE DRIP RAIL AND BAFFLE FILTERS

Reinstall grease drip rail. The illustration beside shows how to reinsert the grease drip rail into the range hood.



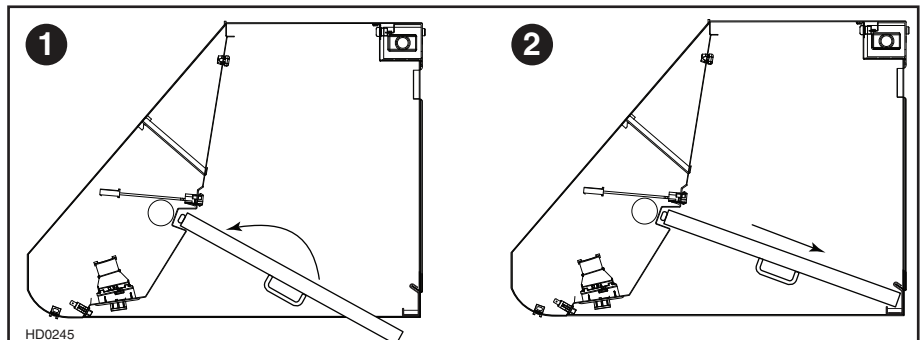
CAUTION

Remove protective plastic film covering filters before installing them.

NOTE: Assemble the metal handles to the filters, using provided no. 8-32 x 1/4" screws, before installing them in the hood.

It is recommended to install side filters first and finish with center one(s).

1. Insert one end of the filter into the upper channel of the hood.
2. Raise the other end toward the inside of hood and insert in the grease drip rail of the hood.



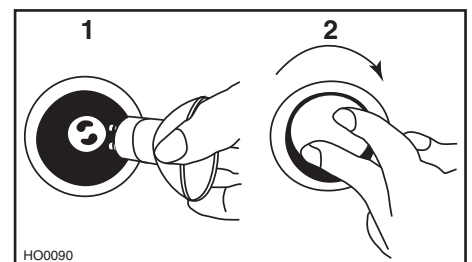
18. INSTALL LIGHT BULBS

⚠ WARNING

In order to prevent the risk of personal injury, do not install a lamp identified for use only in enclosed fixtures.

This hood must use 50W, 120V with GU10 base, shielded halogen bulbs (not included). (2 required for 30" and 36" hood width or 3 for 42" and 48" hood width.)

1. Install bulbs by placing the bulb leads into their grooves in the socket.
2. Gently push upwards and turn clockwise until secure.



⚠ WARNING

In order to prevent the risk of personal injury, the halogen bulbs must be cooled down before removing them.

To remove bulbs, gently push upwards and turn counterclockwise to disengage bulb leads from their grooves.

NOTE: If need be, use a rubber dishwashing glove to add grip when removing the bulb.

19. USE AND CARE

Baffle Filters

The baffle filters should be cleaned frequently. Use a warm detergent solution. Wash more often if your cooking style generates greater grease—like frying foods or wok cooking.

Remove baffle filters by pushing them towards the back of hood and rotating filters downward. Baffle filters are dishwasher safe. Allow filters to dry completely before reinstalling them in the hood.

Clean all-metal filters in the dishwasher using a non-phosphate detergent. Discoloration of the filter may occur if using phosphate detergent or as a result of local water conditions—but this will not affect filter performance. This discoloration is not covered by the warranty.

Grease Drip Rail

The grease drip rail should be cleaned frequently. Lift it out from the hood and use a warm detergent solution. As for the baffle filters, wash more often if your cooking style generates greater grease—like frying foods or wok cooking. Allow grease drip rail to dry completely before reinstalling it in the hood.

Blower Cleaning (Internal)

Remove the filters in order to access the blower. Vacuum blower to clean. Do not immerse in water.

Hood Cleaning

Stainless steel cleaning:

Do: <ul style="list-style-type: none">• Regularly wash with clean cloth or rag soaked with warm water and mild soap or liquid dish detergent.• Always clean in the direction of original polish lines.• Always rinse well with clear water (2 or 3 times) after cleaning. Wipe dry completely.• You may also use a specialized household stainless steel cleaner.	Don't: <ul style="list-style-type: none">• Use any steel or stainless steel wool or any other scrapers to remove stubborn dirt.• Use any harsh or abrasive cleansers.• Allow dirt to accumulate.• Let plaster dust or any other construction residues reach the hood. During construction/renovation, cover the hood to make sure no dust sticks to stainless steel surface.
---	--

Avoid: When choosing a detergent

- Any cleaners that contain **bleach** will attack stainless steel.
- Any products containing: **chloride, fluoride, iodide, bromide** will deteriorate surfaces rapidly.
- Any combustible products used for cleaning such as **acetone, alcohol, ether, benzol**, etc., are highly explosive and should never be used close to a range.

20. OPERATION

Always turn your hood on before you begin cooking to establish an air flow in the kitchen. Let the blower run for a few minutes to clear the air after you turn off the range. This will help keep the whole kitchen cleaner and brighter.

HEAT SENTRY™

This hood is equipped with a Heat Sentry™ thermostat. This thermostat is a device that will turn on or speed up the blower if it senses excessive heat above the cooking surface.

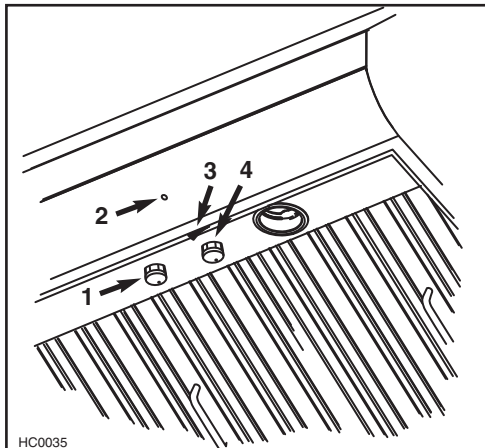
- 1) If blower is OFF - it turns blower ON to HIGH speed.
- 2) If blower is ON at a lower speed setting – it turns the blower up to HIGH speed.

WARNING

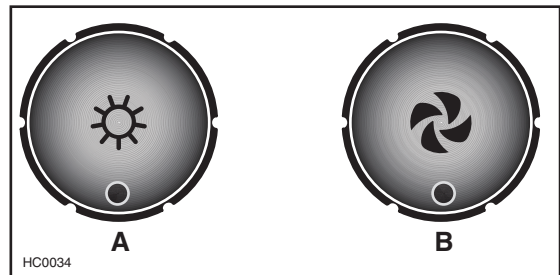
The HEAT SENTRY™ can start the blower even if the hood is turned OFF. In this case, it is impossible to turn the blower OFF with blower switch. If you must stop the blower, do it from the main electrical panel.

When the temperature level drops to normal, the blower will return to its original setting.

20. OPERATION (CONT'D)



- 1) Halogen light knob
- 2) Blower operation indicator
- 3) ON/OFF blower switch
- 4) Blower speed control knob



- A) Halogen light knob
B) Blower speed control knob

COOKTOP LIGHTING (HALOGEN)

A rotary 3-position knob (1) controls the halogen lights (OFF - low intensity - high intensity).

BLOWER

The blower is operated using two controls.

Use the on/off rocker switch (3) to start and stop the blower. When turned on, the blower indicator (2) turns on and the blower operates at the previous setting of the speed control (4).

Turn the speed control knob counterclockwise to increase blower speed – clockwise to decrease speed.

21. WARRANTY

WARRANTY

ONE YEAR LIMITED WARRANTY FOR BROAN ELITE PRODUCTS

Broan-NuTone LLC (Broan-NuTone) warrants to the original consumer purchaser of Broan Elite products that such products will be free from defects in materials or workmanship for a period of one year from the date of original purchase. THERE ARE NO OTHER WARRANTIES, EXPRESS OR IMPLIED, INCLUDING, BUT NOT LIMITED TO, IMPLIED WARRANTIES OR MERCHANTABILITY OR FITNESS FOR A PARTICULAR PURPOSE.

During this one-year period, Broan-NuTone will, at its option, repair or replace, without charge, any product or part which is found to be defective under normal use and service.

THIS WARRANTY DOES NOT EXTEND TO FLUORESCENT LAMP STARTERS, TUBES, HALOGEN AND INCANDESCENT BULBS, FUSE, FILTERS, DUCTS, ROOF CAPS, WALL CAPS AND OTHER ACCESSORIES FOR DUCTING. This warranty does not cover (a) normal maintenance and service or (b) any products or parts which have been subject to misuse, negligence, accident, improper maintenance or repair (other than by Broan-NuTone), faulty installation or installation contrary to recommended installation instructions.

The duration of any implied warranty is limited to the one-year period as specified for the express warranty. Some states or provinces do not allow limitation on how long an implied warranty lasts, so the above limitation may not apply to you.

BROAN-NUTONE'S OBLIGATION TO REPAIR OR REPLACE, AT BROAN-NUTONE'S OPTION, SHALL BE THE PURCHASER'S SOLE AND EXCLUSIVE REMEDY UNDER THIS WARRANTY. BROAN-NUTONE SHALL NOT BE LIABLE FOR INCIDENTAL, CONSEQUENTIAL OR SPECIAL DAMAGES ARISING OUT OF OR IN CONNECTION WITH PRODUCT USE OR PERFORMANCE. Some states or provinces do not allow the exclusion or limitation of incidental or consequential damages, so the above limitation or exclusion may not apply to you.

This warranty gives you specific legal rights, and you may also have other rights, which vary from state to state or province to another. This warranty supersedes all prior warranties.

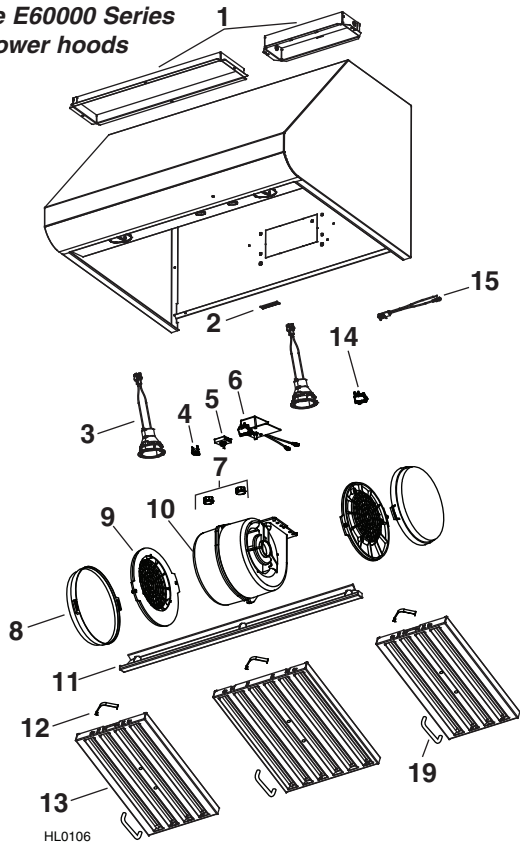
To qualify for warranty service, you must (a) notify Broan-NuTone at one of the addresses or telephone number stated below, (b) give the model number and part identification and (c) describe the nature of any defect in the product or part. At the time of requesting warranty service, you must present evidence of the original purchase date.

In USA - Broan-NuTone LLC; 926 W. State Street, Hartford, Wisconsin 53027 www.broan.com 800-558-1711

In Canada - Broan-NuTone Canada; 1140 Tristar Drive, Mississauga, ON L5T 1H9 www.broan.ca 877-896-1119

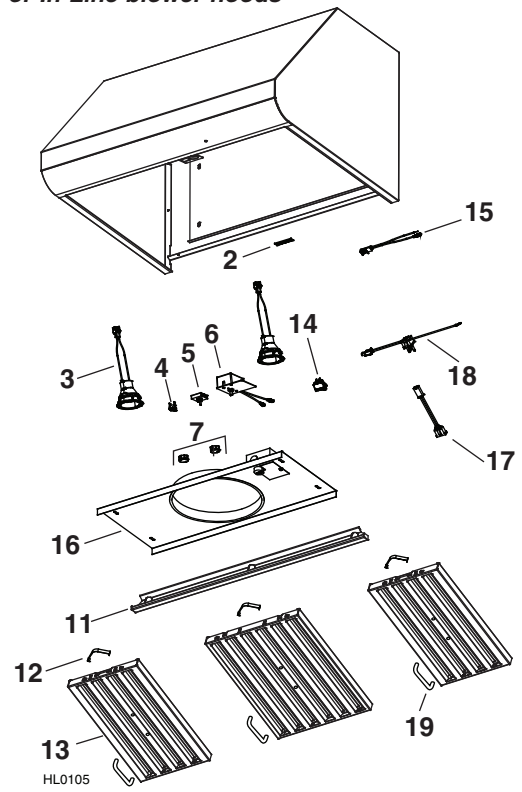
23. SERVICE PARTS

**Broan Elite E6000 Series
Internal blower hoods**



HL0106

**Broan Elite E6000 Series
Exterior or In-Line blower hoods**



HL0105

KEY NO.	PART NO.	DESCRIPTION	QTY. (HOOD WIDTH)			
			30"	36"	42"	48"
1	SV13296	ADAPTER/DAMPER 3¼" x 10" (1-BLOWER HOOD)	1	1	1	1
	SV17797	ADAPTER 4¼" x 18½" (2-BLOWER HOOD)	1	1	1	1
2	SV06750	BROAN ELITE LOGO	1	1	1	1
3	SV16569	LAMP SHELL, SOCKET & TRIM ASS'Y	2	2	3	3
4	SV03435	HEAT SENTRY™ THERMOSTAT	1	1	1	1
5	SV08338	LIGHT SWITCH	1	1	1	1
6	SV03501	SPEED CONTROL	1	1	1	1
7	SV08355	BLOWER AND LIGHT KNOBS (2 KNOBS)	1	1	1	1
8	SV08343	REPLACEMENT CHARCOAL FILTERS (PAIR)	1	1	1	1
9	SV08344	CHARCOAL FILTER SUPPORTS (PAIR)	1	1	1	1
10	SV08097	INTERNAL MOTOR (1 OR 2, DEPENDING ON HOOD MODEL)	1	1	1	1
11	SV17640	GREASE RAIL 30"	1	-	-	-
	SV17641	GREASE RAIL 36"	-	1	-	-
	SV17642	GREASE RAIL 42"	-	-	1	-
	SV17643	GREASE RAIL 48"	-	-	-	1
12	SV08337	FILTER SPRING (SET OF 6)	1	1	1	1
13	SV17606	BAFFLE FILTER 8.84" x 15.25"	2	-	2	-
	SV17609	BAFFLE FILTER 11.84" x 15.25"	1	3	2	4
14	SV08339	BLOWER ROCKER SWITCH	1	1	1	1
15	SV08093	PILOT LAMP ASS'Y	1	1	1	1
19	SV07680	BAFFLE FILTER HANDLE WITH SCREWS	3	3	4	4
*	SV08340	INSTALLATION GUIDE	1	1	1	1
*	SV08352	PARTS BAG: ([2] WIRE CONNECTORS, [1] WIRE CLAMP, [3] WALL ANCHORS [3] WASHERS 13/64" ID x 3/4" OD, [4] SCREWS NO. 8 x 3/8", [8] SCREWS NO. 8 x 3/4", [8] MECHANICAL SCREWS NO. 8-32 x 1/4", [4] FLAT HEAD SCREWS NO. 10-2"	1	1	1	1

* NOT SHOWN.

KEY NO.	PART NO.	DESCRIPTION	QTY. (HOOD WIDTH)			
			30"	36"	42"	48"
2	SV06750	BROAN ELITE LOGO	1	1	1	1
3	SV16569	LAMP SHELL, SOCKET & TRIM ASS'Y	2	2	3	3
4	SV03435	HEAT SENTRY™ THERMOSTAT	1	1	1	1
5	SV08338	LIGHT SWITCH	1	1	1	1
6	SV03501	SPEED CONTROL	1	1	1	1
7	SV08355	BLOWER AND LIGHT KNOBS (2 KNOBS)	1	1	1	1
11	SV17640	GREASE RAIL 30"	1	-	-	-
	SV17641	GREASE RAIL 36"	-	1	-	-
	SV17642	GREASE RAIL 42"	-	-	1	-
	SV17643	GREASE RAIL 48"	-	-	-	1
12	SV08337	FILTER SPRING (SET OF 6)	1	1	1	1
13	SV17606	BAFFLE FILTER 8.84" x 15.25"	2	-	2	-
	SV17609	BAFFLE FILTER 11.84" x 15.25"	1	3	2	4
14	SV08339	BLOWER ROCKER SWITCH	1	1	1	1
15	SV08093	PILOT LAMP ASS'Y	1	1	1	1
16	SV08354	ROUGH-IN PLATE 10" ROUND	1	1	1	1
17	SV13924	FEMALE CONNECTOR	1	1	1	1
18	SV13923	MALE CONNECTOR	1	1	1	1
19	SV07680	BAFFLE FILTER HANDLE WITH SCREWS	3	3	4	4
*	SV08340	INSTALLATION GUIDE	1	1	1	1
*	SV08352	PARTS BAG ([2] WIRE CONNECTORS, [1] WIRE CLAMP, [3] WALL ANCHORS [3] WASHERS 13/64" ID x 3/4", [4] SCREWS NO. 8 x 3/8", [8] SCREWS NO. 8 x 3/4", [8] MECHANICAL SCREWS NO. 8-32 x 1/4", [4] FLAT HEAD SCREWS NO. 10-2"	1	1	1	1

* NOT SHOWN.