

This Owner's Manual is provided and hosted by [Appliance Factory Parts](#).



# BROAN E6448TSS Owner's Manual

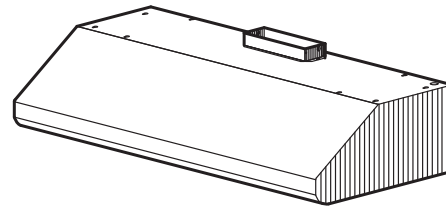
[Shop genuine replacement parts for BROAN E6448TSS](#)



[Find Your BROAN HVAC Parts - Select From 1309 Models](#)

----- Manual continues below -----

# E64 SERIES RANGE HOOD



*For domestic cooking only.*

Styling is fresh and modern, yet designed to easily complement popular pro-style, high performance cooking products.

A complete installation requires several optional components. Refer to page 2 when planning your installation.

### FEATURES

#### HOOD:

- Widths available - 30" to 48" in 6" increments
- Stainless steel, 22 gauge, type 430, #4 brush
- Stainless steel baffle filters with handles - easily accessible, dishwasher safe
- 2-level cooktop lighting (30" & 36" wide hoods = 2 lamps, 42" & 48" wide hoods = 3 lamps. Uses 50W, GU10 halogen lamps. Bulbs not included.)
- Solid-state, variable speed blower control with speed memory
- Exclusive, Heat Sentry™ turns blower ON to HIGH speed when excess heat is detected
- 3¼" x 10" ducting - single blower (600 cfm)
- 4½" x 18½" ducting - dual blower (1200 cfm)

#### NON-DUCTED RECIRCULATING KIT:

##### ANKE60 Series (Optional)

- Stainless steel, 22 gauge, type 430, #4 brush
- Available for hood widths up to 48"
- Charcoal filters included
- Replacement charcoal filters:  
- Service Part # SV08343 - round filter retail pack

#### BACKSPLASH:

##### RMP Series (Optional)

- Widths - 30" to 48" in 6" increments
- Stainless steel, 22 gauge, type 430, #4 brush - protects back wall and wipes clean easily
- Two, removable, dual position condiment storage shelves

#### SPECIFICATION:

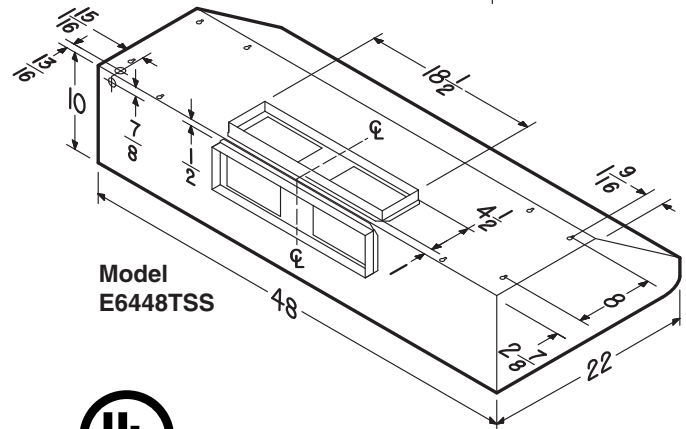
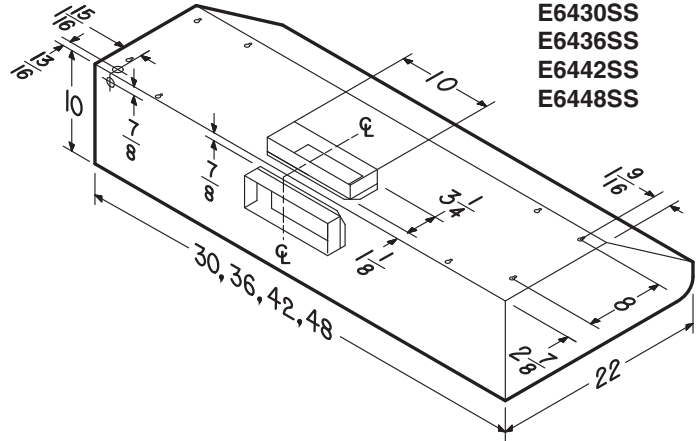
##### Single Blower

- 120 VAC, 60 Hz, 5.5 Amps
- 600 cfm, sound level no greater than 13.5 sones (high speed, vert. & horiz. discharge)
- 150 cfm, 1.5 sones (working speed, vert. & horiz. discharge)

##### Dual Blower

- 120 VAC, 60 Hz, 9.0 Amps
- 1200 cfm, sound level no greater than 14.5 sones (high speed, vert. & horiz. discharge)
- 350 cfm, 2.0 sones (working speed, vert. & horiz. discharge)

Models  
E6430SS  
E6436SS  
E6442SS  
E6448SS



Model  
E6448TSS



HVI-2100 CERTIFIED RATINGS comply with new testing technologies and procedures prescribed by the Home Ventilating Institute, for off-the-shelf products, as they are available to consumers. Product performance is rated at 0.1 in. static pressure, based on tests conducted in a state-of-the-art test laboratory. Sones are a measure of humanly-perceived loudness, based on laboratory measurements.

Broan-NuTone LLC Hartford, Wisconsin www.broan.com 800-558-1711  
Broan-NuTone Canada Mississauga, Ontario www.broan.ca 877-896-1119

REFERENCE	QTY.	REMARKS	Project
			Location
			Architect
			Engineer
			Contractor
			Submitted By
			Date

# E64 SERIES RANGE HOOD SYSTEM INTERNAL BLOWERS

