

This Owner's Manual is provided and hosted by [Appliance Factory Parts](#).



GE JP387WV Owner's Manual

[Shop genuine replacement parts for GE JP387WV](#)



[Find Your GE Electric Range Parts - Select From 348 Models](#)

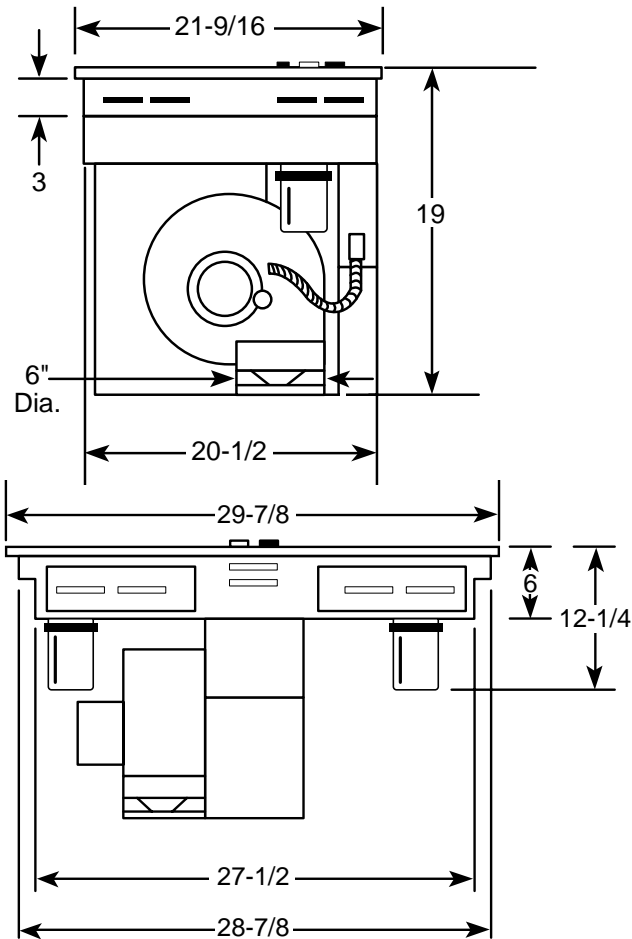
----- Manual continues below -----



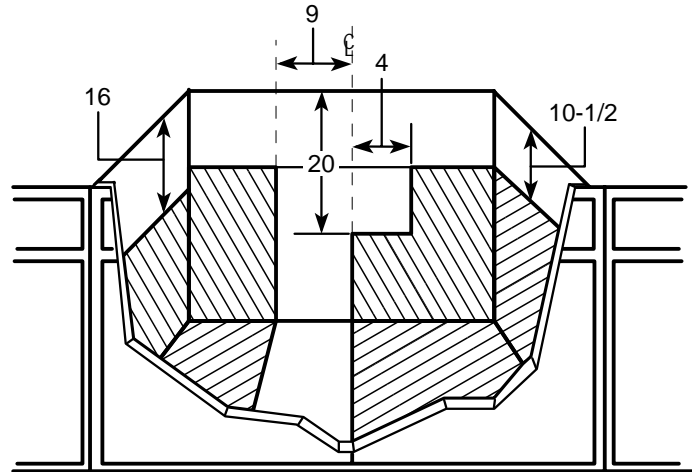
Profile™

JP389WV—GE Profile™ Select-Top™ Modular Downdraft Cooktop

Built-In Downdraft Modular Cooktop Dimensions (in inches)



Built-In Downdraft Modular Cooktop Cabinet Dimensions (in inches)



Specification Revised 6/99

Recept
junction
diagram
below
Note:
indoor
Install
consult
packed

For ans
GE Prof
GE Prof
GE Ans

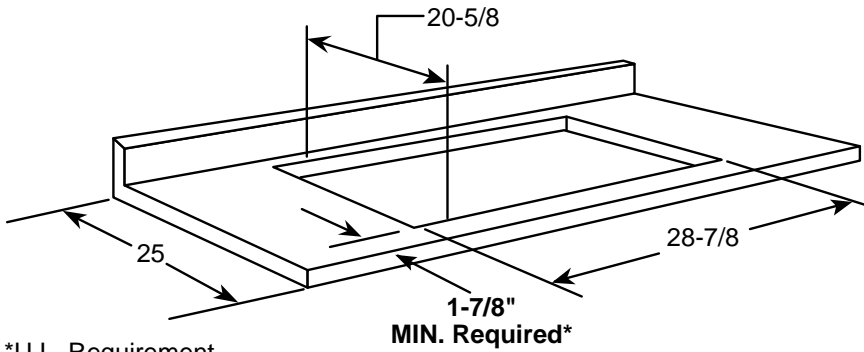




Profile™

JP389WV—GE Profile™ Select-Top™ Modular Downdraft Cooktop

Cutout Dimensions (in inches)

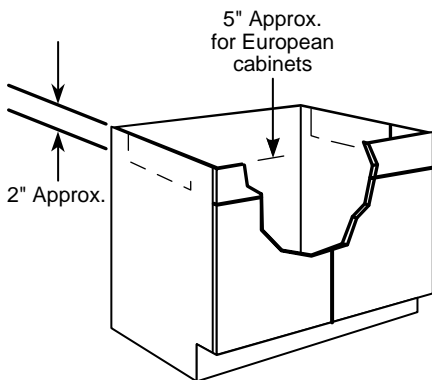


*U.L. Requirement.

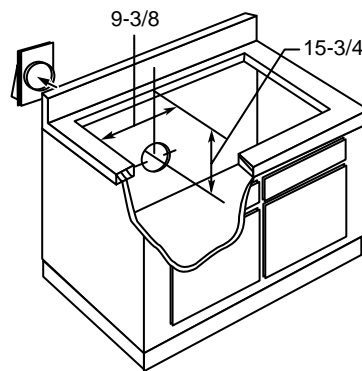
MIN. Required*

Note: A 6" minimum spacing to adjacent side wall is required

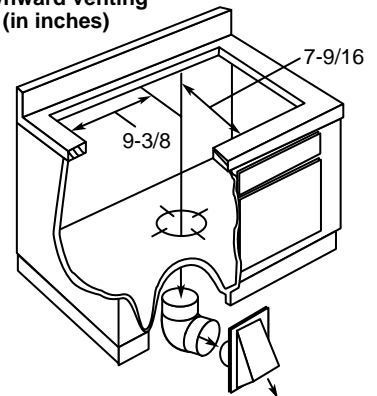
Preparing the Cabinet for Installation



Rear wall venting (in inches)



Downward venting (in inches)



Note: In some cabinets, the sides may need to be scooped out and braces removed in order to accommodate the cooktop.

Wall Installation: Wall installations require 25" countertop depth. If the wall is not vertical, the fan housing can be rotated to the horizontal position. Make a countertop cutout that is centered in the range and installation type. Duct hole is positioned in back of cabinet.

Peninsula or Island Installation: For peninsula or island installation, a 6" depth is suggested. Blower should be in vertical position. Adjustment in cutout depth and/or location within the width of the bottom of cabinet for island or peninsula installation.

Slab Installation: For peninsula or island installation and approved piping should be used if installing under a slab.

Install
26-gauge
in 6" re
of both
shoul
concre

Specification Revised 6/99

For ans
GE Pro
GE Pro
GE Ans

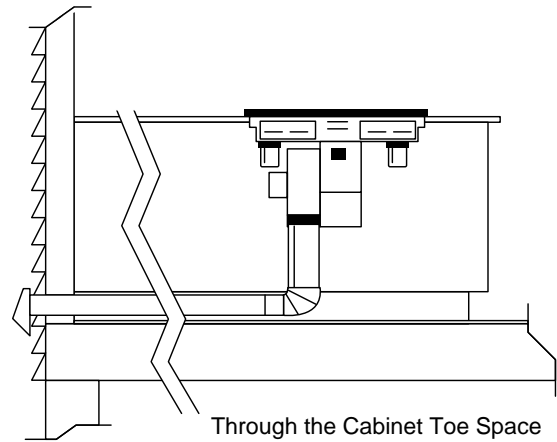
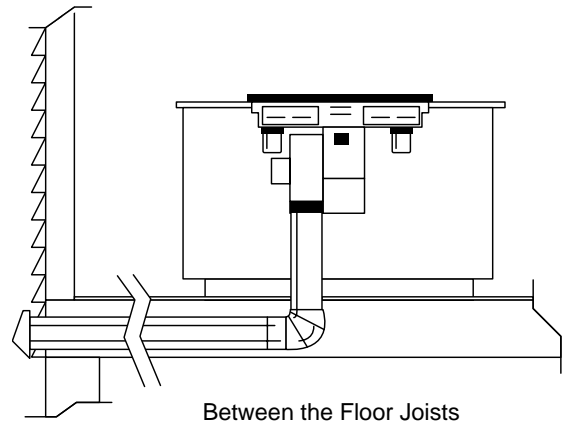
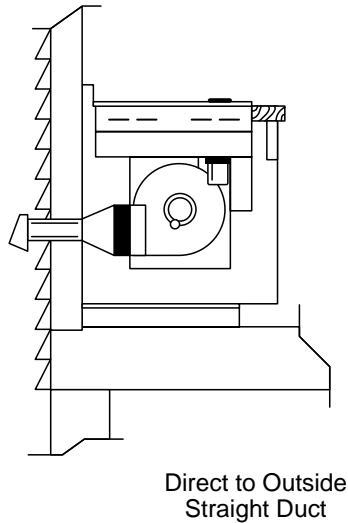
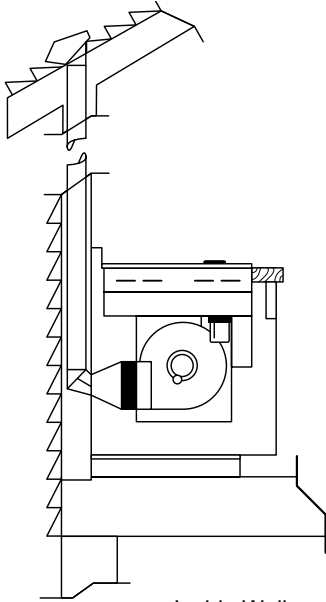




Profile™

JP389WV—GE Profile™ Select-Top™ Modular Downdraft Cooktop

Venting Options



Specification Revised 6/99

| |
|-------|
| KW F |
| 240 |
| Break |
| 40 |

†Note: C

Note: D
 not vent
 any con
 roof or v
 caps sh
 efficien
 run poss
 For satis
 not exce
 the tabl
 Pub. No.

Install
 consult
 packed

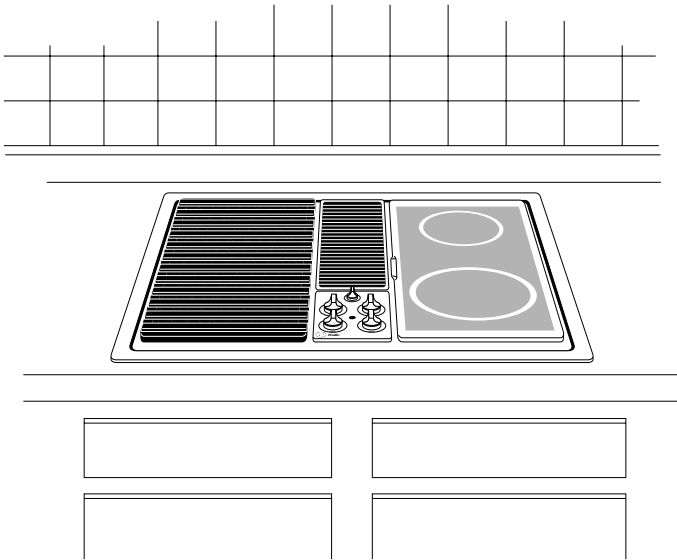
For answ
 GE Profil
 GE Profil
 GE Answ





Profile™

JP389WV—GE Profile™ Select-Top™ Modular Downdraft Cooktop



Features and Benefits

- *White on white Model*
- *30" Dual Modular Cooktop*
- *Infinite Heat Rotary Controls*
- *Powerful Downdraft Venting System*
- *3-Speed Fan*
- *Heating Element "ON" Indicator Light*
- *Porcelain-Enameled Cooktop*
- *Optional Modules Available At Additional Cost*
- *Also Available In Black on black as Model JP389BV*
- *Also Designed For 208-Volt Installation In White on white or Black on black as Model JP387BV (208V models require 208V breaker)*

| Optional modules (available at additional cost) | JP389WV |
|--|-----------|
| Calrod® modules | JXDC44RWH |
| Ribbon modules | JXDR50VW |
| Grill modules | JXDL44N |
| Griddle Accessory | JXDD44R |
| Grill Cover | JXDM3 |

Specification Revised 6/99