

This Owner's Manual is provided and hosted by [Appliance Factory Parts](#).



# GE JP385CV Owner's Manual

[Shop genuine replacement parts for GE JP385CV](#)



[Find Your GE Electric Range Parts - Select From 348 Models](#)

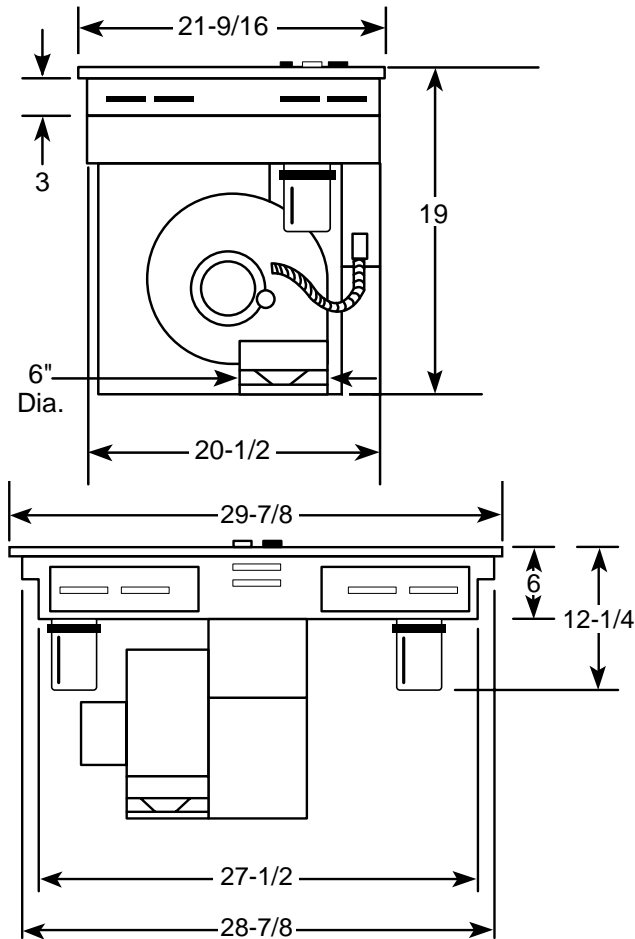
----- Manual continues below -----



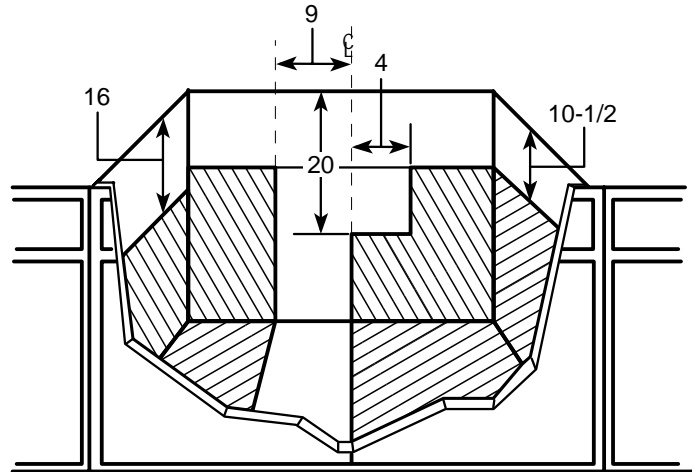
GE Appliances

## JP385BV—GE Select-Top™ Modular Downdraft Cooktop

Built-In Downdraft Modular Cooktop  
Dimensions (in inches)



Built-In Downdraft Modular Cooktop Cabinet  
Dimensions (in inches)



Specification Revised 6/99

Recept  
junction  
diagram  
below t  
**Install**  
consult  
packed

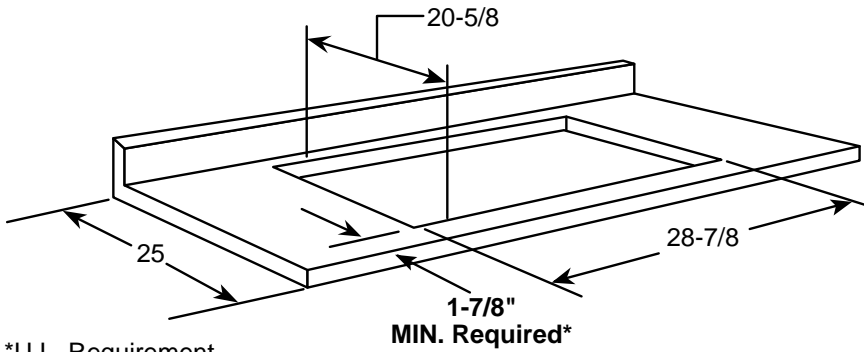
For ans  
GE Prof  
GE Prof  
GE Ans





# JP385BV—GE Select-Top™ Modular Downdraft Cooktop

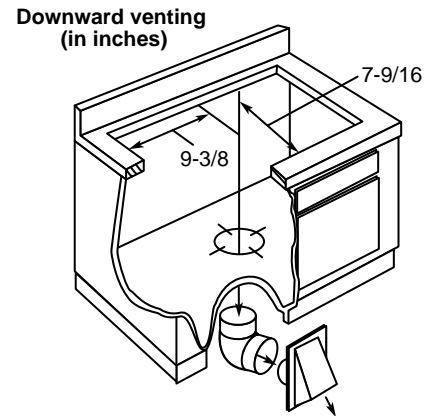
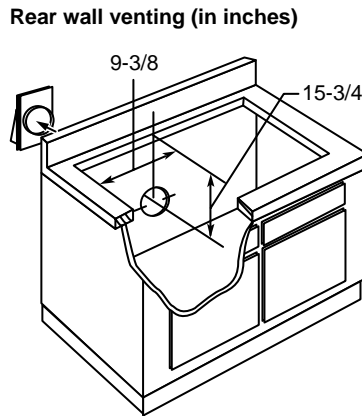
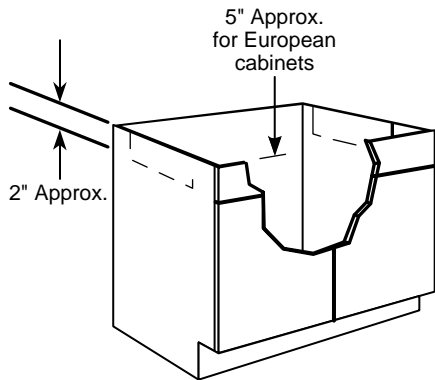
## Cutout Dimensions (in inches)



\*U.L. Requirement.

**Note:** A 6" minimum spacing to adjacent side wall is required

## Preparing the Cabinet for Installation



**Note:** In some cabinets, the sides may need to be scooped or braces removed in order to accommodate the cooktop.

**Wall Installation:** Wall installations require 25" countertop on the wall, the fan housing can be rotated to the horizontal position. Make a countertop cutout that is centered in the range and installation type. Duct hole is positioned in back of cabinet.

**Peninsula or Island Installation:** For peninsula or island installation, a 6" depth is suggested. Blower should be in vertical position. Allow for adjustment in cutout depth and/or location within the width of the bottom of cabinet for island or peninsula installation.

**Slab Installation:** For peninsula or island installation and under a slab, approved piping should be used if installing under a slab.

**Installation:** galvanized steel or 3-1/4" PVC duct should be used in concrete.

Specification Revised 6/99

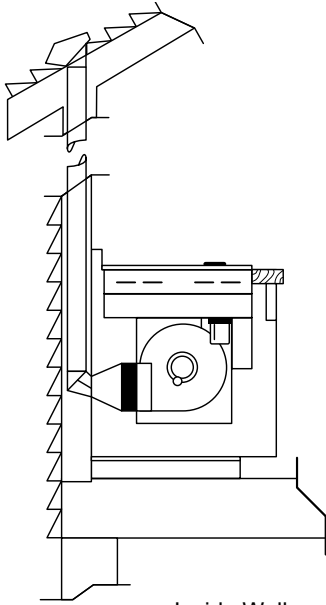
For answers to questions, see GE Profile™ or GE AnswerLine™ GE AnswerLine™



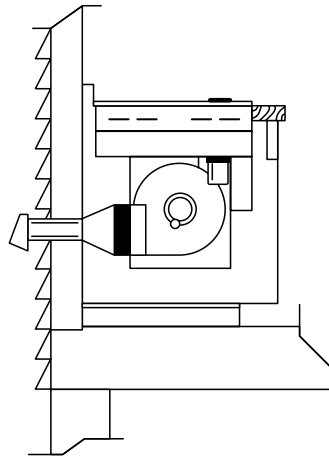


# JP385BV—GE Select-Top™ Modular Downdraft Cooktop

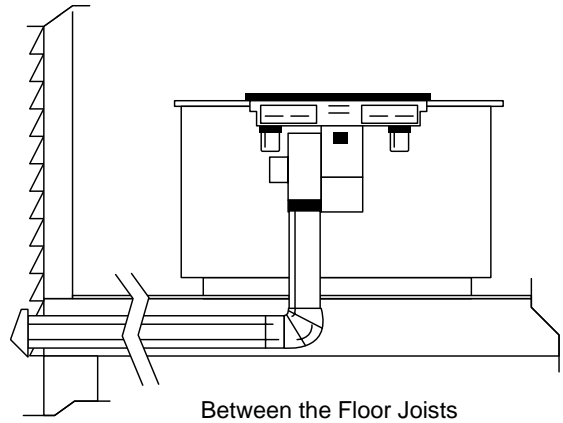
## Venting Options



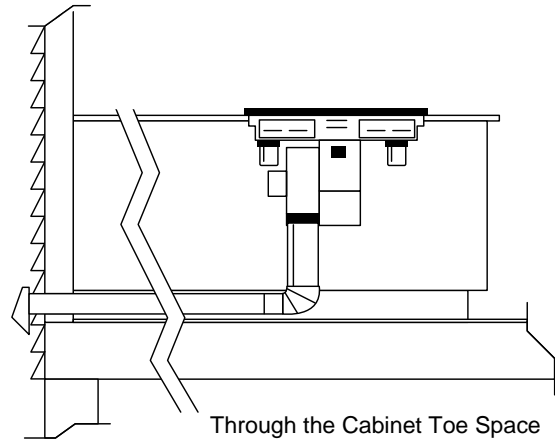
Inside Wall Through Roof



Direct to Outside Straight Duct



Between the Floor Joists



Through the Cabinet Toe Space

Specification Revised 6/99

|       |
|-------|
| KW R  |
| 240V  |
| Break |
| 40    |

†Note: CH

**Note:** Do not vent into any confined space, roof or wall. Caps should be used to prevent air from entering. Refer to Pub. No.

**Installation:** consult instructions in the user manual.

For answers to questions, contact GE Profile Customer Support at 1-800-GE-ANSWERS.





## JP385BV—GE Select-Top™ Modular Downdraft Cooktop



### Features and Benefits

- Black on black Model
- 30" Single Modular Cooktop
- Fixed 6" and 8" Plug-In Calrod® Heating Elements
- Infinite Heat Rotary Controls
- Powerful Downdraft Venting System
- Heating Element "ON" Indicator Light
- Porcelain-Enameled Cooktop
- Left Side Accepts Optional Cooking Modules
- Single-Speed Downdraft Vent Fan
- Optional Modules Available At Additional Cost
- Also Available In White on white as Model JP385WV and as Model JP385CV

|  |                |
|--|----------------|
| <b>Optional modules<br/>(available at additional cost)</b> | <b>JP385WV</b> |
| <b>Calrod® modules</b>                                     | JXDC44RWH      |
| <b>Ribbon modules</b>                                      | JXDR50VW       |
| <b>Grill modules</b>                                       | JXDL44N        |
| <b>Griddle Accessory</b>                                   | JXDD44R        |
| <b>Grill Cover</b>   | JXDM3          |