

This Owner's Manual is provided and hosted by [Appliance Factory Parts](#).



GE JGP979WEFWW Owner's Manual

[Shop genuine replacement parts for GE
JGP979WEFWW](#)



[Find Your GE Electric Range Parts - Select From 348 Models](#)

----- Manual continues below -----



Gas Downdraft Cooktop

Safety Instructions2-5

Operating Instructions

Controls 8, 9
Cookware 9
Electric Ignition 8
Features 6
Grill Module10-13
Other Accessories7, 14
Surface Burner
Modules 6, 8-10
Ventilation System 6, 9

Care and Cleaning

Control Knobs and
Control Panel Seal 15
Grease Jar 15
Griddle Accessory 17
Grill Burner 16
Grill Cover 16
Grill Grates 16
Igniters17
Porcelain Burner Basin .. 17
Porcelain Cooktop 15
Sealed Burner Modules .. 17
Stainless Steel Surfaces .. 15
Vent Grille and Filter 16

Installation Instructions

Ductwork22-25
Electrical
Connection21, 26
Gas Connection21, 22
Installing the
Cooktop21-26
Preparation19, 20
Safety Instructions18

Troubleshooting

Tips27, 28

Consumer Support

Consumer Support32
Product Registration ..29, 30
Warranty31

**Owner's Manual
& Installation
Instructions**

JGP979

Write the model and serial numbers here:

Model # _____

Serial # _____

Find these numbers on a label under the cooktop, on the side of the vent chamber.



IMPORTANT SAFETY INFORMATION. READ ALL INSTRUCTIONS BEFORE USING.

⚠ WARNING!

For your safety, the information in this manual must be followed to minimize the risk of fire or explosion, electric shock, or to prevent property damage, personal injury, or loss of life.

WARNING: If the information in this manual is not followed exactly, a fire or explosion may result causing property damage, personal injury or death.

- Do not store or use gasoline or other flammable vapors and liquids in the vicinity of this or any other appliance.

— WHAT TO DO IF YOU SMELL GAS

- Do not try to light any appliance.
 - Do not touch any electrical switch; do not use any phone in your building.
 - Immediately call your gas supplier from a neighbor's phone. Follow the gas supplier's instructions.
 - If you cannot reach your gas supplier, call the fire department.
- Installation and service must be performed by a qualified installer, service agency or the gas supplier.





IMPORTANT SAFETY NOTICE

The California Safe Drinking Water and Toxic Enforcement Act requires the Governor of California to publish a list of substances known to the state to cause cancer, birth defects or other reproductive harm, and requires businesses to warn customers of potential exposure to such substances.

Gas appliances can cause minor exposure to four of these substances, namely benzene, carbon monoxide, formaldehyde and soot, caused primarily by the incomplete combustion of natural gas. Properly adjusted burners, indicated by a bluish rather than a yellow flame, will minimize incomplete combustion. Exposure to these substances can be minimized by venting with an open window or using a ventilation fan or hood.



SAFETY PRECAUTIONS

Have the installer show you the location of the cooktop gas shutoff valve and how to shut it off if necessary.

- Have your cooktop installed and properly grounded by a qualified installer, in accordance with the Installation Instructions. Any adjustment and service should be performed only by qualified gas cooktop installers or service technicians.

IMPORTANT: This product is for use with natural gas only. It is NOT convertible for use with LP gas.
- Do not attempt to repair or replace any part of your cooktop unless it is specifically recommended in this manual. All other service should be referred to a qualified technician.
- Locate the cooktop out of kitchen traffic path and out of drafty locations to prevent poor burner performance.
- Plug your cooktop into a 120-volt grounded outlet only. Do not remove the round grounding prong from the plug. If in doubt about the grounding of the home electrical system, it is your personal responsibility and obligation to have an ungrounded outlet replaced with a properly grounded, three-prong outlet in accordance with the National Electrical Code. Do not use an extension cord with this appliance.
- Let the burner grates and other surfaces cool before touching them or leaving them where children can reach them.
- Be sure all packaging materials are removed from the cooktop before operating it to prevent fire or smoke damage should the packaging material ignite.
- Be sure your cooktop is correctly adjusted by a qualified service technician or installer.
- Do not leave children alone or unattended where a cooktop is hot or in operation. They could be seriously burned.
- Do not allow anyone to climb, stand or hang on the cooktop.
- **CAUTION:** Items of interest to children should not be stored in cabinets above a cooktop—children climbing on the cooktop to reach items could be seriously injured.
- Always keep wooden and plastic utensils and canned food a safe distance away from your cooktop.
- Always keep combustible wall coverings, curtains or drapes a safe distance from your cooktop.
- Never wear loose-fitting or hanging garments while using the appliance. Be careful when reaching for items stored in cabinets over the cooktop. Flammable material could be ignited if brought in contact with flame or hot surfaces and may cause severe burns.
- Teach children not to play with the controls or any other part of the cooktop.
- For your safety, never use your appliance for warming or heating the room.

IMPORTANT SAFETY INFORMATION. READ ALL INSTRUCTIONS BEFORE USING.



SAFETY PRECAUTIONS

- Always keep dish towels, dishcloths, pot holders and other linens a safe distance from your cooktop.
 - Do not store flammable materials near a cooktop.
 - Do not store or use combustible materials, gasoline or other flammable vapors and liquids in the vicinity of this or any other appliance.
 - Do not let cooking grease or other flammable materials accumulate on or near the cooktop.
 - Do not operate the burner without all burner parts in place.
 - Do not place hot cookware on the glass cooktop. This could cause glass to break.
 - Do not clean the cooktop with flammable or volatile cleaning fluids.
 - Do not clean the cooktop when the appliance is in use.
 - Avoid scratching the cooktop with sharp instruments, or with rings and other jewelry.
 - Never use the cooktop as a cutting board.
 - Do not use water on grease fires. Never pick up a flaming pan. Turn the controls off. Smother a flaming pan on a surface burner by covering the pan completely with a well-fitting lid, cookie sheet or flat tray. Use a multipurpose dry chemical or foam-type fire extinguisher.
- Flaming grease outside a pan can be put out by covering it with baking soda or, if available, by using a multipurpose dry chemical or foam-type fire extinguisher.

WARNING: To reduce the risk of fire, electrical shock, or injury to persons, observe the following:

- A. Use this unit only in the manner intended by the manufacturer. If you have questions, contact the manufacturer.
- B. Before servicing or cleaning the unit, switch power off at service panel.
- C. When cutting or drilling into wall or ceiling do not damage electrical wiring and other hidden utilities.
- D. Ducted fans must always be vented to the outdoors.
- E. To reduce the risk of fire, use only metal ductwork.

WARNING: To reduce the risk of a cooktop grease fire:

- A. Keep fan, filters and grease-laden surfaces clean.
- B. Always turn vent ON when cooking at high heat.
- C. Use high settings on cooktop only when necessary. Heat oil slowly on low to medium setting.
- D. Don't leave the cooktop unattended when cooking.
- E. Always use cookware and utensils appropriate for the type and amount of food being prepared.

CAUTION: For general ventilating use only. Do not use to exhaust hazardous or explosive materials and vapors.



COOK MEAT AND POULTRY THOROUGHLY...

Cook meat and poultry thoroughly—meat to at least an INTERNAL temperature of 160°F and poultry to at least an INTERNAL temperature of 180°F. Cooking to these temperatures usually protects against foodborne illness.



⚠ WARNING! SURFACE BURNERS

Use proper pan size—avoid pans that are unstable or easily tipped. Select cookware having flat bottoms large enough to cover burner grates. To avoid spillovers, make sure cookware is large enough to contain the food properly. This will both save cleaning time and prevent hazardous accumulations of food, since heavy spattering or spillovers left on cooktop can ignite. Use pans with handles that can be easily grasped and remain cool.

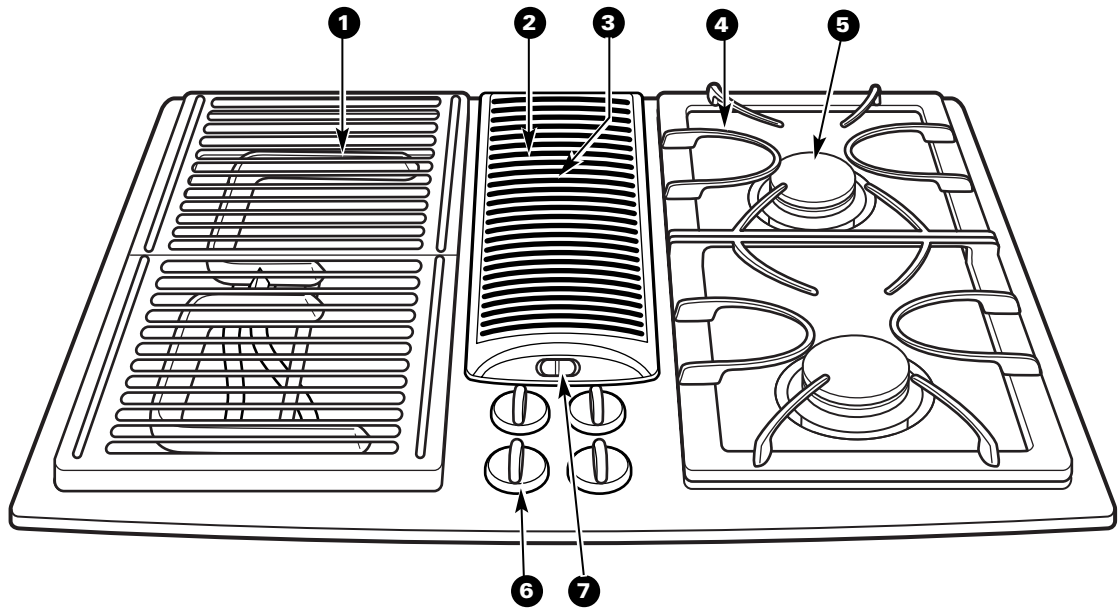
- Always use the **LITE** position when igniting the top burners and make sure the burners have ignited.
- Never leave the surface burners unattended at high flame settings. Boilovers cause smoking and greasy spillovers that may catch on fire.
- Use only dry pot holders—moist or damp pot holders on hot surfaces may result in burns from steam. Do not let pot holders come near open flames when lifting cookware. Do not use a towel or other bulky cloth in place of a pot holder. Such cloths can catch fire on a hot burner.
- When using glass cookware, make sure it is designed for cooktop cooking.
- To minimize the possibility of burns, ignition of flammable materials and spillage, turn cookware handles toward the side or center of the cooktop without extending over adjacent burners.
- Always turn the surface burner controls off before removing cookware.
- Carefully watch foods being fried at a high flame setting.
- Always heat fat slowly and watch as it heats.
- Do not leave any items on the cooktop. The hot air from the vent may ignite flammable items and will increase pressure in closed containers, which may cause them to burst.
- If a combination of oils or fats will be used in frying, stir together before heating or as fats melt slowly.
- Do not use a wok on the cooking surface if the wok has a round metal ring that is placed over the burner grate to support the wok. This ring acts as a heat trap, which may damage the burner grate and burner head. Also, it may cause the burner to work improperly. This may cause a carbon monoxide level above that allowed by current standards, resulting in a health hazard.
- Foods for frying should be as dry as possible. Frost on frozen foods or moisture on fresh foods can cause hot fat to bubble up and over the sides of the pan.
- Use the least possible amount of fat for effective shallow or deep-fat frying. Filling the pan too full of fat can cause spillovers when food is added.
- Use a deep fat thermometer whenever possible to prevent overheating fat beyond the smoking point.
- Never try to move a pan of hot fat, especially a deep fat fryer. Wait until the fat is cool.
- Do not flame foods on the cooktop. If you do flame foods under the hood, turn the fan on.
- Do not leave plastic items on the cooktop—they may melt if left too close to the vent.
- Keep all plastics away from the surface burners.
- If you smell gas, turn off the gas to the cooktop and call a qualified service technician. Never use an open flame to locate a leak.
- To avoid the possibility of a burn, always be certain that the controls for all burners are at the off position and all grates are cool before attempting to remove them.
- Never clean the cooktop surface when it is hot. Some cleaners produce noxious fumes and wet cloths could cause steam burns if used on a hot surface.
- Never leave jars or cans of fat drippings on or near your cooktop.
- Do not use aluminum foil under burner grates. Misuse could result in a fire hazard or damage to the cooktop.
- Do not cover or block the area around the cooktop knobs. This area must be kept clear for proper ventilation and burner performance.
- Clean only parts listed in this Owner's Manual.



**READ AND FOLLOW THIS SAFETY INFORMATION CAREFULLY.
SAVE THESE INSTRUCTIONS**

Features of your cooktop.

Throughout this manual, features and appearance may vary from your model.



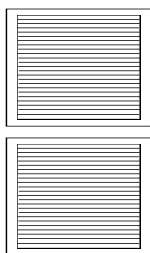
Feature Index

- 1** Grill Module
- 2** Vent (fan operates automatically when grill is in use)
- 3** Vent Filters (located below the vent grille)
- 4** Cast-Iron Burner Grates
- 5** Surface Burners
- 6** Surface Burner Controls
- 7** Vent Control

Cooktop accessories.

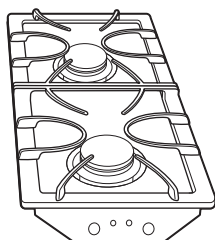
ge.com

Throughout this manual, features and appearance may vary from your model.



Grill Model JXGG79

Consists of two black grill grates and a grill burner.

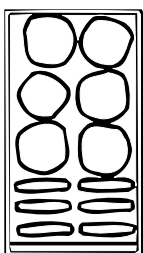


Sealed Burner Module

Models JXGB79B (black) and JXGB79W (white)

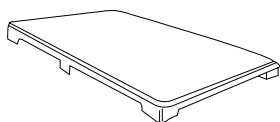
The grill assembly can be removed and a sealed burner module installed.

NOTE: Optional surface burner module (JXGB79) can replace the grill burner. Burners supplied with cooktop and optional module air shutters have been adjusted for compatibility on both sides.



Griddle Model JXGL89

Can be used only with the grill module. Self-draining griddle makes many favorite foods easier to fix. Family-sized surface lets you cook several pancakes, hamburgers or grilled sandwiches at the same time.



Grill Cover Model JXGC89

Attractive grill cover protects the grill when not in use. Textured steel with molded handles.

Safety Instructions

Operating Instructions

Care and Cleaning

Troubleshooting Tips

Consumer Support

Using the gas surface burners.

Throughout this manual, features and appearance may vary from your model.

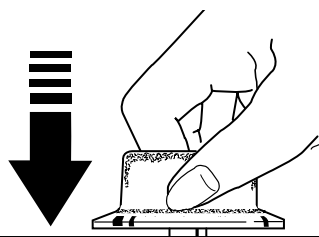
Electric Ignition

Your surface burners are lit by electric ignition, eliminating the need for standing pilots with constantly burning flames.

In case of a power outage, you can light the surface burners on your cooktop with a match. Hold a lit match to the burner, then turn the control knob to the high position. **Use extreme caution when lighting the burners this way.**

Surface burners in use when an electrical power failure occurs will continue to operate normally.

IN CASE OF A POWER FAILURE, THE VENTILATION SYSTEM WILL NOT OPERATE.



Push the control knob down and turn it to the LITE position.

How to Light a Gas Surface Burner

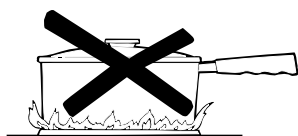
Push the control knob down and turn it to the **LITE** position.

You will hear a little **clicking** noise—the sound of the electric spark igniting the burner.

After the burner ignites, turn the knob to adjust the flame size.

To turn a burner off, turn the knob clockwise, as far as it will go, to the **OFF** position.

If the flame is too low at the setting, the valve can be adjusted. Refer to *Flames too high or too low at the LOW setting* in the *Troubleshooting Tips* section.



How to Select Flame Size

For safe handling of cookware, never let the flames extend up the sides of the cookware.

Watch the flame, not the knob, as you reduce heat. The flame size on a gas burner should match the cookware you are using.

Any flame larger than the bottom of the cookware is wasted and only serves to heat the handle.

Before Lighting a Gas Burner

- Make sure all grates on the cooktop are in place before using any burner.
- Only surface burners may be used on the right side.

After Lighting a Gas Burner

- Do not operate the burner for an extended period of time without cookware on the grate. The finish on the grate may chip without cookware to absorb the heat.
- Check to be sure the burner you turn on is one you want to use.
- Be sure the burners and grates are cool before you place your hand, a pot holder, cleaning cloths or other materials on them.
- When using the surface burners, if you find that the **LO** setting is too hot for delicate foods, you can adjust the knob below the **LO** setting.
- Do not allow large pans to extend over the control knobs. Heat trapped between large pans and control knobs could cause possible damage to the control knobs.

Using your cooktop.

ge.com



Use a flat-bottomed wok.

Wok This Way

We recommend that you use a flat-bottomed wok, available at your local retail store.

Only a flat-bottomed wok should be used. Do not use a flat-bottomed wok with a wok holder.

Do not use a flat-bottomed wok on a support ring. Placing the ring over the burner or grate may cause the burner to work improperly, resulting in carbon monoxide levels above allowable current standards. This could be dangerous to your health.

Cookware

Use large diameter cookware on rear burners.

Aluminum: Medium-weight cookware is recommended because it heats quickly and evenly. Most foods brown evenly in an aluminum skillet. Use saucepans with tight fitting lids when cooking with minimum amounts of water.

Enamelware: Under some conditions, the enamel of some cookware may melt. Follow cookware manufacturer's recommendations for cooking methods.

Glass: There are two types of glass cookware: those for oven use only and those for cooktop cooking (saucepans, coffee and teapots). Glass conducts heat very slowly.

Cast Iron: If heated slowly, most skillets will give satisfactory results.

Heatproof Glass-Ceramic: Can be used for either surface or oven cooking. It conducts heat very slowly and cools very slowly. Check cookware manufacturer's directions to be sure it can be used on a gas cooktop.

Stainless Steel: This metal alone has poor heating properties and is usually combined with copper, aluminum or other metals for improved heat distribution. Combination metal skillets usually work satisfactorily if they are used with medium heat as the manufacturer recommends.

Using the downdraft vent system.



How to Operate the Downdraft Vent System

The built-in vent system helps remove cooking vapors, odors and smoke from foods prepared on the cooktop.

To turn on the vent fan, use the vent control switch on the control panel.

- Press down on the left side of the switch to turn the fan on.
- Press down on the right side of the switch to turn the fan off.

NOTE: Even if the switch is in the off position, the fan will operate automatically when the grill burner is in use.

Continuous use of the vent system while cooking helps keep the kitchen comfortable and less humid, reducing cooking odors and soiling moisture that normally creates a frequent need for cleaning.

The appearance of the burner flames may be affected when the vent fan is operating.

IN CASE OF A POWER FAILURE, THE VENTILATION SYSTEM WILL NOT OPERATE.

Safety Instructions

Operating Instructions

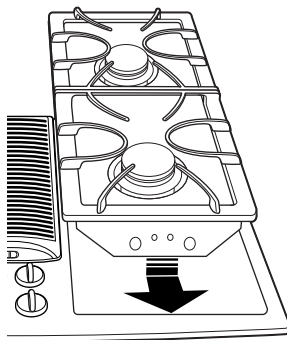
Care and Cleaning

Troubleshooting Tips

Consumer Support

Surface burner and grill modules.

Throughout this manual, features and appearance may vary from your model.



Sealed Burner Module

To Install the Sealed Burner Module:

1. Make sure that all control knobs are set to **OFF**.
2. Clean the cooktop basin to remove any grease accumulation. See the *Care and Cleaning the Cooktop* section.
3. With the back of the burner module tilted up and the mixer tube openings and ignitor rods facing the orifices and terminal receptacle, insert the module in the cooktop basin.
4. Slide the burner module forward until the tubes and ignitors start to engage.
5. Lower the back of the module into place and carefully slide it forward until the mixer tubes and ignitor rods are fully engaged.

To Remove the Sealed Burner Module:

1. Make sure that all control knobs are set to **OFF** and that the cooktop is cool.
2. Lift up the edge of the burner module until the bottom of the module clears the edge of the basin.
3. Hold the module by the sides and pull it away from the terminal receptacle and orifices. Lift it out of the basin when it is completely unplugged.
4. Do not store or stack modules where they could fall or be damaged.

IMPORTANT: Do not lift the module too high while it is still connected—you could damage the ignitor rods and mixer tubes.

NOTE: The optional sealed burner module JXGB79 can replace the grill burner assembly.

Grill Module

The grill consists of two black grill grates and the grill burner. Only install the grill on the left side of your cooktop.

To Install the Grill Module:

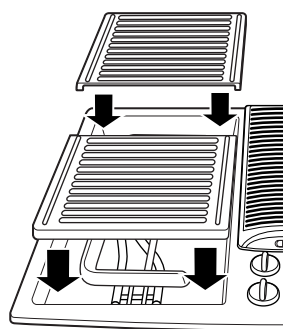
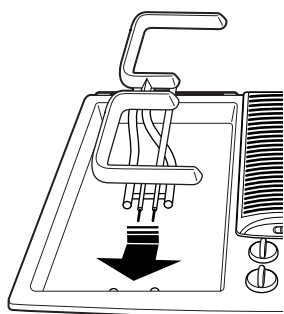
1. Make sure that all control knobs are set to **OFF**.
2. Position the grill burner with the mixer tubes and ignitor rod facing the orifices and terminal receptacle.
3. Slide the grill burner forward until the tubes and ignitors are engaged; then lower the burner until it rests on the mounting pins.
4. Carefully place the grill grates on the cooktop.

NOTE: Before using the grill for the first time, heat the grill burner to remove the protective shipping coating. Heat the grill burner on **HI** for 10 minutes and use the vent system to remove any additional smoke during cooling.

To Remove the Grill Module:

1. Make sure that all control knobs are set to **OFF** and all grill components are cool.
2. Remove the grill grates.
3. Lift the grill burner up slightly and pull it away from the terminal receptacle and orifices. Lift it out of the basin when it is completely unplugged.
4. Do not store or stack modules where they could fall or be damaged.

NOTE: The optional sealed burner module JXGB79 can replace the grill burner assembly.



Using the Grill

- **The vent fan will operate automatically when the grill burner is in use.**
- Before using the grill for the first time, wash grill grates in hot soapy water. Rinse and dry.
- Precondition grates by brushing with vegetable oil or spraying with a non-stick coating such as Pam®. Do this every time before you grill.
- For easier clean-up, spray grates and burner basin with a non-stick coating.
- **Use nonmetallic spatulas or utensils to prevent damaging the non-stick grill grate finish.**
- Preheat the grill on high for 5 to 10 minutes. Preheating improves the flavor and appearance of meats and quickly sears the meat to help retain the juices.
- **Excessive amounts of fat should be trimmed from meats.** Some fat is necessary to produce the smoke needed for that smoked “outdoor” flavor. However, excessive fat can create cleaning and flare-up problems.
- Allowing excessive amounts of grease or drippings to constantly flame voids the warranty on the grill grates. Excessive flare-ups indicate that either the grill interior needs to be cleaned, excessive amounts of fat are in the meat or that the meat was not properly trimmed.
- Grease drippings will occasionally ignite to produce harmless puffs of flame for a second or two. This is a normal part of the cooking process.
- Never leave the grill unattended during operation.

IMPORTANT:

- *Do not use aluminum foil inside the grill area.*
- *Do not use charcoal or wood chips in the grill area.*
- *Do not allow burner basin to become overloaded with grease. Clean after each use.*
- *Do not cover grates completely with meat. Leave air space between each steak, etc., to allow proper ventilation as well as to prevent flare-ups.*

Should a Sustained Flare-Up Occur:

1. Use the vent control to turn the fan on.
2. Immediately turn the grill control knobs to the **OFF** position.
3. Remove the meat from the grill.

Grilling.

Grilling Tips

- With your grill, any food you've considered "at its best" when prepared outdoors can now be prepared indoors with less fuss and great flavor.
- The following suggestions are good rules to follow and will increase your enjoyment of the equipment. Be sure to follow directions in this guide for using the grill.
- Suggested cooking times and control settings are approximate due to variations in meats. Experience will quickly indicate cooking times as well as which settings work best.
- For best results, buy top-grade meat. Meat that is at least 3/4-inch thick will grill better than thinner cuts.
- For the attractive "branded" look on steaks, be sure the grill is preheated. Allow one side of the meat to cook to the desired doneness, or until the juices appear on the top surface, before turning. Turn steaks and hamburgers just once. Moving the food around causes loss of juices.
- When basting meats or applying sauces to foods, remember that excessive amounts wind up inside your grill and do not improve the food flavor. Apply sauces during the last 15 to 20 minutes of cooking time unless the recipe specifies otherwise. Sugar-based marinade (for example, barbecue sauce) will caramelize on grill grates and will create a cleaning chore.
- There are many meat marinades which will help tenderize less expensive cuts of meat for cooking on the grill.
- Certain foods, such as poultry and non-oily fish, may need some extra fat. Brush with oil or melted butter occasionally while grilling.
- Use tongs with long handles or spatulas for turning meats. Do not use forks because these pierce the meat, allowing juices to be lost.
- To help retain meat juices, salt after turning meat or after cooking is completed.
- Score the fat on the edges of steaks but do not cut into the meat to prevent curling while cooking.

Grilling guide.

ge.com

Preheat the grill on high for 5 to 10 minutes for best flavor.

Type	Control Setting	Cooking Time	Procedure
Meat			
Steak (1/2"–3/4")			
Rare	HI	6 to 10 minutes	Turn after 3 to 5 minutes.†
Medium	HI	10 to 16 minutes	Turn after 5 to 8 minutes.
Well	HI	21 to 24 minutes	Turn after 6 to 12 minutes.
Steak (1"–1¼")			
Rare	HI	14 to 24 minutes	Turn after 7 to 12 minutes.†
Medium	HI	18 to 30 minutes	Turn after 9 to 15 minutes.
Well	HI	24 to 34 minutes	Turn after 12 to 17 minutes.
Hamburgers (3–4 oz.)	Medium	20 to 25 minutes	Turn after half the time.
Pork chops	Medium	20 to 30 minutes	Turn occasionally.
Fully cooked smoked pork chops	Medium	10 to 15 minutes	Turn after half the time.
Ham slices	Medium	15 to 20 minutes	Turn after half the time.
Pork ribs	Medium	50 to 65 minutes	Turn occasionally. Brush with barbecue sauce during the last 15 minutes.
Fully cooked sausages			
Hot dogs, brats	HI	7 to 12 minutes	Turn occasionally.
Polish	HI	13 to 16 minutes	Turn occasionally.
Fresh sausages			
Links	Medium	15 to 25 minutes	Turn occasionally.
Patties (3" diameter)	Medium	15 to 20 minutes	Turn after half the time.
Italian sausage	Medium	25 to 30 minutes	Pierce casing with a fork. Turn once.
Lamb chops	Medium	20 to 30 minutes	Turn occasionally. Brush with glaze, if desired.
Poultry			
Chicken			
Pieces: bone-in	Medium	35 to 50 minutes	Turn occasionally.
Boneless breasts	Medium	25 to 35 minutes	Turn occasionally.
Wings	Medium	25 to 35 minutes	Turn occasionally.
Cornish hen (halved)	Medium	35 to 45 minutes	Turn occasionally.
Fish			
Small, whole (1")	Medium	15 to 20 minutes	Brush with butter. Turn after half the time.
Steaks (1")	Medium	20 to 25 minutes	Brush with butter. Turn after half the time.
Filletts—with skin on (1/2")	Medium	10 to 15 minutes	Start skin side down. Brush with butter. Turn after half the time.
Shrimp (skewered)	Medium	10 to 20 minutes	Turn and brush with butter or marinade frequently.
Bread			
Garlic bread	Medium	4 to 6 minutes	Turn after half the time.
Hot dog or hamburger buns	Medium	1 to 2 minutes	Turn after half the time.

† The U. S. Department of Agriculture says "Rare beef is popular, but you should know that cooking it to only 140°F means some food poisoning organisms may survive." (Source: *Safe Food Book, Your Kitchen Guide*. USDA Rev. June 1985.)

Safety Instructions

Operating Instructions

Care and Cleaning

Troubleshooting Tips

Consumer Support

Other accessories.

Grill Cover

The textured steel grill cover makes an attractive cover for the grill section of the cooktop when it is not in use.

To use the grill cover:

Remove the cover before heating the grill. Since a heated grill cover would not appear hot, this could cause accidental burns should it be touched. Heating the grill cover could also damage the finish.

Do not place the grill cover over a heated grill. Let the grill cool before putting the cover in place.

Use the cover over the grill grates only. Do not place the cover over the griddle or surface burner grates.

IMPORTANT: Although the finish is very durable, care should be taken to avoid setting utensils or other items on the surface that could cause scratches. **DO NOT** set extremely hot containers on the surface, including handles, since these could mar or discolor the cover. It is an attractive cover and proper care will keep it that way.

Griddle Accessory

Using the griddle:

1. Before the first use, wash your new griddle in hot soapy water, rinse and dry. Then “condition” the surface by wiping on a thin coating of cooking oil or shortening. Remove excess oil or shortening by wiping again with another paper towel.
2. Insert grill burner. **DO NOT** use grill grates.
3. Place griddle over grill burner so that the drain holes are in front. This will permit excess grease to be collected in the grease container.
4. Preheat the griddle 5 to 10 minutes at the specified setting as noted in the Griddle Guide.
5. Use non-metallic spatulas or utensils while cooking to prevent damaging the finish.

Griddle Guide

NOTE: These are suggested guides for control settings and times. Factors such as low gas pressure may affect the times and control settings which provide the best results. Preheat 5 to 10 minutes at specified setting.

Food Item	Control Setting	Approximate Cooking Time First Side	Approximate Cooking Time Second Side
Bacon	Medium	4–5 minutes	3–4 minutes
Buns	HI	2–3 minutes	
Eggs	Medium	2–3 minutes	1 minute
Fish sticks (frozen)	Medium	7–8 minutes	5–7 minutes
Ham slice	Medium	6–7 minutes	5–6 minutes
Hamburgers	Medium	5–7 minutes	4–6 minutes
Hot dogs	HI	5 minutes	5 minutes
French toast	HI	2–4 minutes	2–3 minutes
Grilled cheese sandwiches	HI	2–3 minutes	2–3 minutes
Pancakes	HI	1–2 minutes	1–2 minutes
Sausage patties	Medium	6–8 minutes	4–5 minutes

Before Cleaning

Before cleaning any part of your cooktop, be sure all controls are off and **DISCONNECT ELECTRICAL POWER TO THE COOKTOP** at the fuse box or circuit breaker panel, or pull the cooktop power plug, located beneath the cooktop and inside the cabinets.

Do not operate the cooktop without all parts in place.

Control Knobs and Control Panel Seal

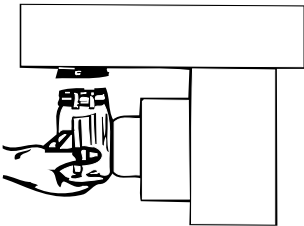
After grilling there may be soot on the knobs and control panel seal. This soot can be removed by scrubbing with a plastic scrubber and mild dishwashing detergent.

The knobs can be cleaned in a dishwasher or they may also be washed with soap and water. Make sure the insides of the knobs are dry before replacing.

The control knobs may be removed for easier cleaning.

Replace the knobs in the **OFF** position to ensure proper placement.

Make sure the knobs are in the **OFF** positions and pull them straight off the stems for cleaning.



Grease Jar

A grease jar is located below the grill basin pan under the countertop. Check periodically to prevent spillovers. Unscrew and remove.

If the jar is broken, replace with any heat tempered jar, such as a canning jar, which has a standard screw neck.

Porcelain Cooktop

The porcelain enamel finish is sturdy but breakable if misused. This finish is acid-resistant. However, any acidic foods spilled (such as fruit juices, tomato or vinegar) should not be permitted to remain on the finish.

For other spills, such as fat splatterings, wash with soap and water or cleansing powders after the surface has cooled. Rinse well. Polish with a dry cloth.

If acids spill on the cooktop while it is hot, use a dry paper towel to wipe it up right away. When the surface has cooled, wash with soap and water or cleansing powders. Rinse well.

Stainless Steel Surfaces

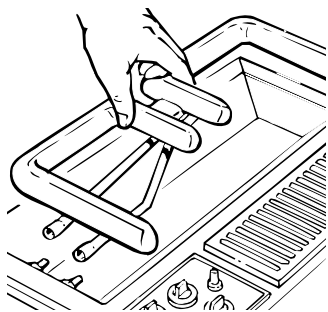
Do not use a steel wool pad; it will scratch the surface.

To inquire about purchasing stainless steel appliance cleaner or polish, or to find the location of a dealer nearest you, please call our toll-free number:

To clean the stainless steel surface, use warm sudsy water or a stainless steel cleaner or polish. Always wipe the surface in the direction of the grain. Follow the cleaner instructions for cleaning the stainless steel surface.

National Parts Center 1.800.626.2002
ge.com

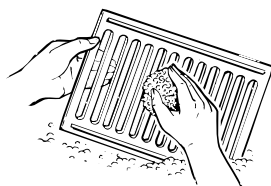
Care and cleaning of the cooktop.



Grill Burner

The grill burner should be cleaned after each use. It can be cleaned with a non-abrasive pad or in the dishwasher. Rinse and dry thoroughly before using again. For heavy soil, the burner should be cleaned first with a soapy steel wool pad, rinsed and dried. Then it can be cleaned in a self-cleaning oven for two hours.

NOTE: Check to be sure all burner ports are open. To open clogged ports, insert a twist tie directly into each port.



Grill Grates

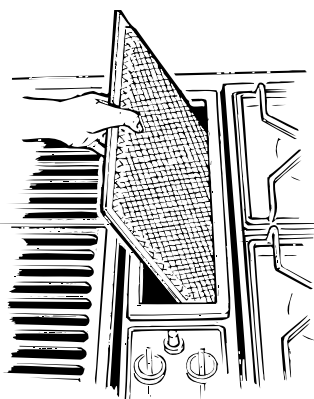
The grates should be cleaned after each use. They can be cleaned with detergent and a plastic scrubber, such as Tuffy, or washed in the dishwasher if burned on residue is first removed. For heavy soil, grates can be soaked in hot, soapy water mixed with household ammonia.

Do not use metal brushes or abrasive scouring pads or other scrubbers intended to clean outdoor grills. These will remove the finish as well as scratch the grates. Do not clean in a self-cleaning oven or use oven cleaners on the grates.

Grill Cover

The grill cover may be easily cleaned with a damp cloth and mild detergent or liquid household cleanser. Rinse and dry thoroughly.

DO NOT clean in a dishwasher.



Vent Grille and Filter

Vent Grille: The vent grille lifts off easily. Wipe clean or wash in the sink with mild household detergents.

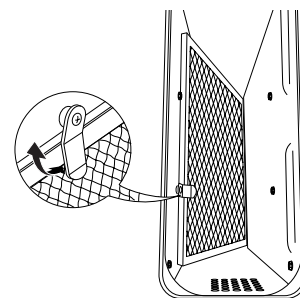
NOTE: On models with a white vent grille, stubborn stains may be removed by soaking the grille in a 50/50 mix of bleach and water overnight. After cleaning, rinse the grille thoroughly and dry it before replacing.

Filter: Turn off the fan before removing. Turn the filter retainer clip to remove the filter. The filter is a permanent type and should be cleaned when soiled. Clean in the sink with warm water and liquid dishwashing detergent.

IMPORTANT: Do not operate the fan without the filter. The filter should always be placed at an angle. As you face the front of the cooktop, the top of the filter should rest against the left side of the vent opening and the bottom of the filter should rest against the right side of the ventilation

chamber at the bottom. If the filter is flat against the fan wall, ventilation effectiveness is reduced.

Ventilation Chamber: This area, which houses the filter, should be cleaned in the event of spills or whenever it becomes coated with a film of grease. The ventilation chamber may be cleaned with a paper towel, damp cloth or sponge and a mild household detergent or cleanser.



When replacing the filter, make sure it rests, at an angle, on the supports in the vent opening. Latch it in place.

Igniters

It is important to keep igniter port openings on burners clear and free of obstructions to avoid ignition failure and possible gas buildup. If the port openings are blocked, use a twist tie to remove food particles.

Griddle Accessory

DO NOT immerse a hot griddle in cold water.

Once the griddle has cooled, wash with soap or detergent in hot water in the sink. Be sure to remove all food residue before cooking on the griddle again.

Remove stubborn spots with a plastic scouring pad. For best results, use only those cleaning products which are recommended for use when cleaning non-stick surfaces. Do not use steel wool or coarse scouring pads.

DO NOT wash in a dishwasher.

Sealed Burner Modules

Cooktop surface:

To prevent the cooktop from discoloring or staining:

- Clean the cooktop after each use.
- Wipe up acidic or sugary spills as soon as the cooktop has cooled, because these spills may discolor the porcelain.

Sealed Burners:

The sealed burners of your cooktop are secured to the cooktop module and are not designed to be removed. Since the burners are sealed into the module, boilovers or spills will not seep underneath the cooktop. However, the burner heads should be cleaned after each use.

Burner Grates:

The grates must be properly positioned before cooking. Improper installation of the grates may result in chipping of the cooktop.

Do not operate burners without a pan on the grate. The grate's porcelain finish may chip without a pan to absorb the heat from the burner flame.

Although the burner grates are durable, they will gradually lose their shine and/or discolor, due to the high temperatures of the gas flame.

Porcelain Burner Basin

This area is located under the grill and surface burners and should be cleaned after each use of the grill.

To remove light soil, clean with soapy water or with a cleaner such as 409®. For easier cleanup, soak paper towels in a household cleanser, lay in the burner basin and soak for at least a half hour or longer.

To remove moderate soil, scrub with Comet®, Bon Ami®, a soft scrub cleanser or plastic scrubber.

To remove stubborn soil, spray with an oven cleaner. Let soak overnight. Wipe clean. Rinse and dry.

Installation Instructions

Gas Downdraft Cooktop

If you have questions, call 800.GE.CARES (800.432.2737) or visit our Website at: ge.com

In the Commonwealth of Massachusetts:

- This product must be installed by a licensed plumber or gas fitter.
- When using ball-type gas shut-off valves, they shall be the T-handle type.
- A flexible gas connector, when used, must not exceed 3 feet.

BEFORE YOU BEGIN

IMPORTANT NOTE: This product is for use with natural gas only. It is NOT convertible for use with LP gas.

Read these instructions completely and carefully.

- **IMPORTANT** — Save these instructions for local inspector's use.
- **IMPORTANT** — Observe all governing codes and ordinances.
- **Note to Installer** — Be sure to leave these instructions with the Consumer.
- **Note to Consumer** — Keep these instructions for future reference.
- Proper installation is the responsibility of the installer.
- Product failure due to improper installation is not covered under the Warranty.

FOR YOUR SAFETY

If You Smell Gas:

1. Open windows.
2. Don't touch any electrical switches.
3. Extinguish any open flame.
4. Immediately call your gas supplier.

Do not store or use gasoline or other flammable vapors and liquids in the vicinity of this or any other appliance.

WARNING — Before beginning the installation, switch power off at the service panel and lock the service disconnecting means to prevent power from being switched on accidentally. When the service disconnecting means cannot be locked, securely fasten a prominent warning device, such as a tag, to the service panel.

IMPORTANT SAFETY INSTRUCTIONS

The cooktop has been design-certified by CSA International. As with any appliance using gas and generating heat, there are certain safety precautions you should follow. You'll find these precautions in the *Important Safety Instructions* section in the front of this Owner's Manual. Read them carefully.

- Be sure your cooktop is installed properly by a qualified installer or service technician.
- The cooktop must be electrically grounded in accordance with local codes, or in their absence, with the National Electrical Code ANSI/NFPA No. 70 – Latest Edition.
- Installation of this cooktop must conform with local codes, or in the absence of local codes, with the National Fuel Gas Code ANSI Z223.1 – Latest Edition.
- Improper installation, adjustment, alteration, service or maintenance can cause injury or property damage. Refer to this manual. For assistance or additional information, consult a qualified installer, service agency, manufacturer (dealer) or the gas supplier.
- Disconnect electrical supply before servicing.
- Never reuse old flexible connectors. The use of old flexible connectors can cause gas leaks and personal injury. Always use **NEW** flexible connectors when installing a gas appliance.
- Make sure the wall coverings around the cooktop can withstand heat generated by the cooktop up to 200°F.
- Avoid placing cabinets above the cooktop.
- If cabinets are placed above the cooktop, allow a minimum clearance of 30" between the cooking surface and the bottom of protected cabinets.
- If a 30" clearance between cooking surface and overhead combustible material or metal cabinets cannot be maintained, protect the underside of the cabinets above the cooktop with not less than 1/4" insulating millboard or gypsum board at least 3/16" thick covered with 28 gauge sheet steel or 0.020" thick copper.
- Clearance between the cooking surface and protected cabinets **MUST NEVER BE LESS THAN 24."** The vertical distance from the plane of the cooking surface to the bottom of adjacent overhead cabinets extending closer than 2" to the plane of the cooktop sides must not be less than 18".

Installation Instructions

PARTS LIST

- Gas cooktop base unit
- Literature pack
- 1 Surface burner assembly
- 2 Surface burner grates
- 1 Vent filter
- 1 Vent grille
- 1 Grease jar

TOOLS AND PARTS NEEDED

- Large flat-blade screwdriver
- Saw
- Carpenter's square
- Pipe wrench
- 7/16" open end wrench
- Gas line shut off valve
- Pipe joint sealant for use with gas connections

For flexible connection where local codes permit:

- Flexible metal tubing (same 3/4" or 1/2" I.D. as gas supply line)
- Flare union adapter for connection to supply line (3/4" NPT x 3/4" I.D. or 1/2" NPT x 1/2" I.D.)
- Flare union adapter for connection to regulator (1/2" NPT x 3/4" I.D. or 1/2" I.D.)

For rigid connection:

- Pipe fittings as required

IMPORTANT

Motor Clearance—Provide 2" min. (5.1 cm) cabinet clearance to motor for cooling purpose.

NOTE: Where possible, 6" (15.2 cm) is recommended for motor/blower service.

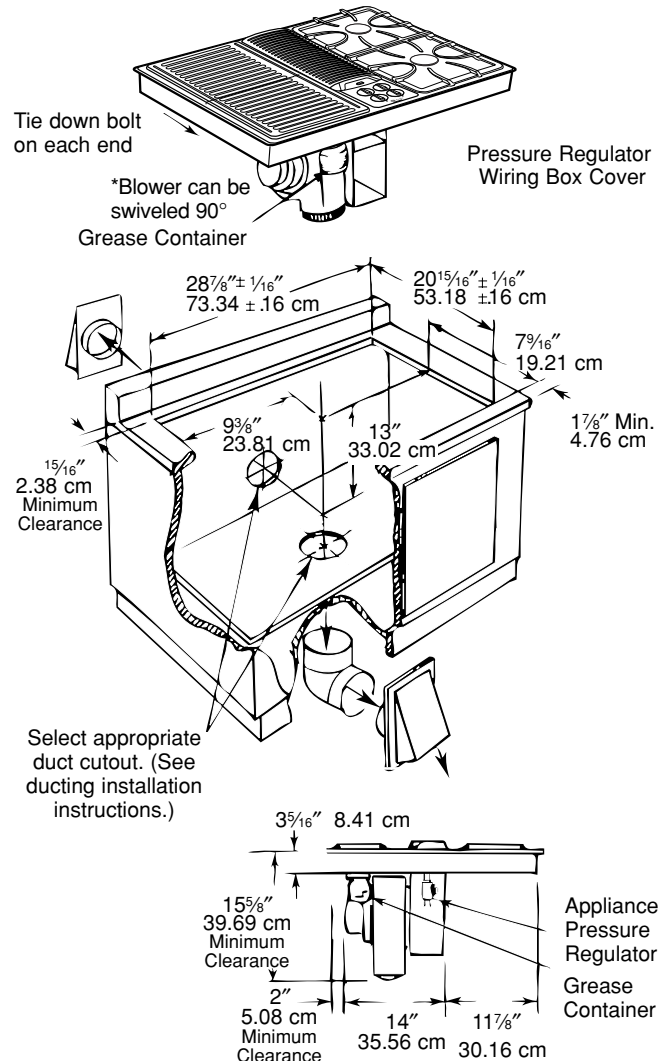
Side Clearance—Grills installed near a side wall should allow a minimum clearance of 8" (20.3 cm).

You must allow room enough to remove and empty grease container(s).

CAUTION: Warranty is void on equipment installed other than as recommended by GE. Recommended wall caps and transitions must be used for proper operation and installation.

PREPARING FOR INSTALLATION

JGP979

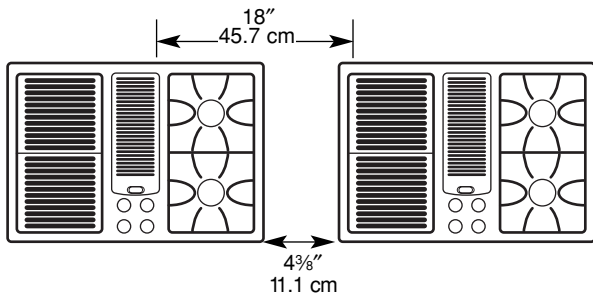


* Blower may be rotated for horizontal or vertical direction by loosening nuts around blower inlet. Accessible inside ventilation chamber.

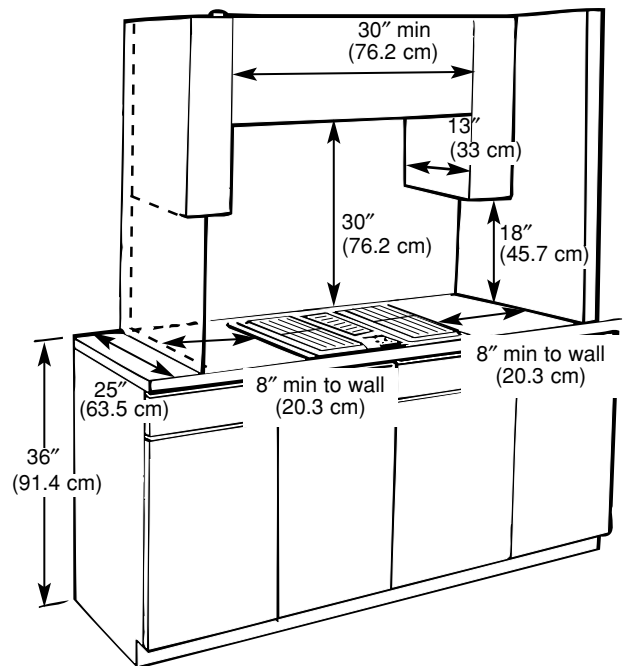
Installation Instructions

MINIMUM SPACING REQUIREMENT

When installing a double bay downdraft cooktop in combination with another downdraft cooktop maintain the minimum spacing between units as shown below. Installing them too close will affect cooking performance.



1 INSTALLING CABINETS OVER YOUR COOKTOP



Avoid placing cabinets above the cooktop unit, if possible, in order to reduce the hazards caused by reaching over heated surface units.

If the cabinets are installed above the cooktop, allow a minimum 30" (76.2 cm) clearance between the cooking surface and the bottom of the cabinet.

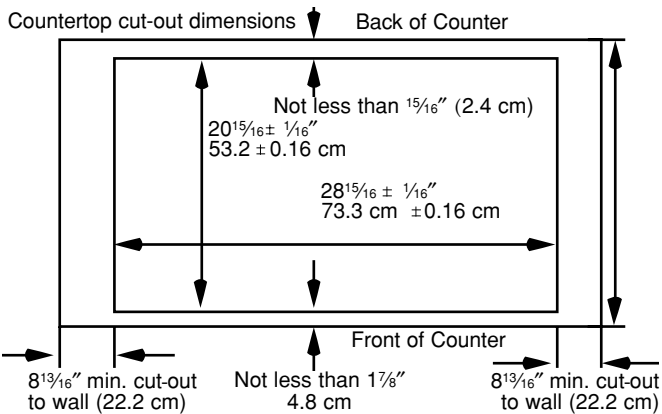
A non-combustible material must be installed on the under side of the cabinet. Use a flame retardant millboard at least 1/4" (6.3 mm) thick, or gypsum board at least 3/16" (4.7 mm) thick, covered with 28 gauge sheet steel or 0.020" (.5 mm) thick copper. The maximum depth of cabinets above the cooktop is 13" (33 cm).

EXCEPTION: Installation of a listed microwave oven or cooking appliance over the cooktop shall conform to the installation instructions packed with that appliance.

Working areas adjacent to the cooktop should have an 18" (45.7 cm) minimum clearance between the countertop and the bottom of the cabinet. If the clearance is less than 18" (45.7 cm), the adjacent cabinets should be at least 8" (20.3 cm) from the side of the cooktop.

Installation Instructions

2 PREPARING THE COUNTERTOP



Cut out the opening as shown in the diagram. Measure carefully when cutting the countertop, making sure the sides of the opening are parallel and the front and rear cuts are exactly perpendicular to the sides.

The front of the opening must clear the front support rail on the cabinet and the rear of the opening must clear the rear support of the cabinet.

Chamfer all exposed edges of decorative laminate to prevent damage from chipping.

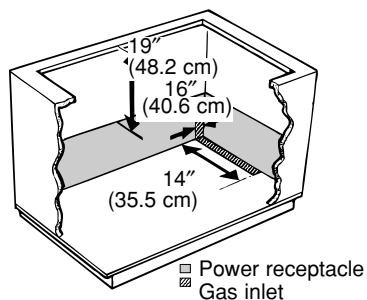
Radius corners of cutout and file to ensure smooth edges and prevent corner cracking.

Rough edges inside corners which have not been rounded and forced fit can contribute to cracking of the countertop laminate.

Countertop must be supported within 3" (7.6 cm) of cutout.

3 GAS AND ELECTRICAL LOCATION

The position of the electrical supply receptacle and the gas supply pipe entering the cabinet should be positioned as shown in the shaded areas marked below.



The cooktop is equipped with a 4 ft (1.2 m) power cord, which should reach any desired location on the cabinet walls. The cooktop must be disconnected from the power supply before any servicing is carried out.

4 PROVIDE ADEQUATE GAS SUPPLY

This cooktop is designed to operate on natural gas only at 5" (12.7 cm) of water column pressure. It is for use with natural gas only and is not convertible to LP gas.

A pressure regulator is to be connected in series with the manifold of the cooktop and must remain in series with the supply line.

For proper operation, the maximum inlet pressure to the regulator must be no more than 10" (25.4 cm) water column pressure for natural gas. For checking the regulator, the inlet pressure must be at least 1" (2.5 cm) greater than the regulator output setting. If the regulator is set for 5" (12.7 cm) of water column pressure, the inlet pressure must be at least 6" (15.2 cm).

For ease of installation, and if local codes permit, the gas supply line into the cooktop should be 1/2" (13 mm) or 3/4" (19 mm) I.D. flexible metal appliance connector three (0.9 m) to five feet (1.5 m) in length.

5 PRESSURE TESTING

The maximum gas supply pressure for the regulator supplied on this appliance is 14" (35.5 cm) W.C. The test pressure for checking this regulator must be at least 6" (15.2 cm) W.C. for natural gas. It is shipped from the factory set for natural gas at 5" (12.7 cm) W.C.

This appliance and its individual shut-off valve must be disconnected from the gas supply piping system during any pressure testing of that system at test pressures in excess of 1/2 PSIG.

This appliance must be isolated from the gas supply piping system by closing its individual manual shut-off valve during any pressure testing of the gas supply piping system at test pressures equal to or less than 1/2 PSIG.

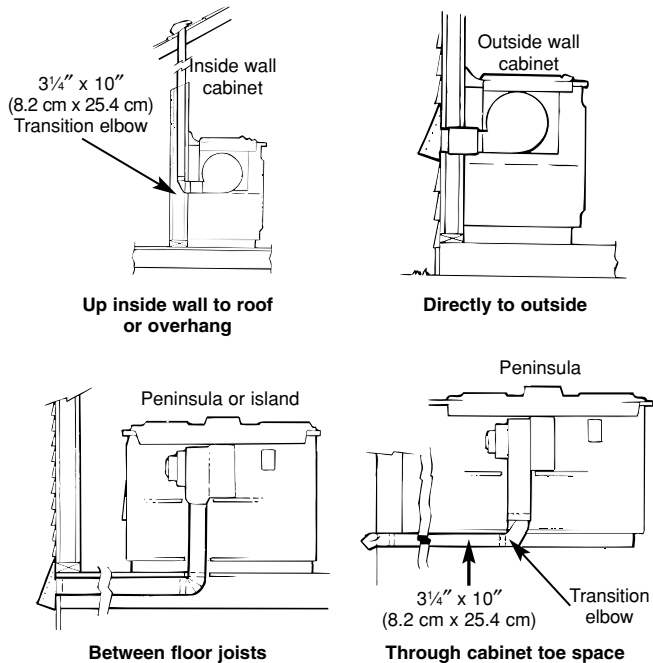
Installation Instructions

6 PREPARE FOR DUCTWORK

NOTE: Ductwork **MUST** be vented outside. **DO NOT** vent into a wall, ceiling, crawspace, attic or any concealed space.

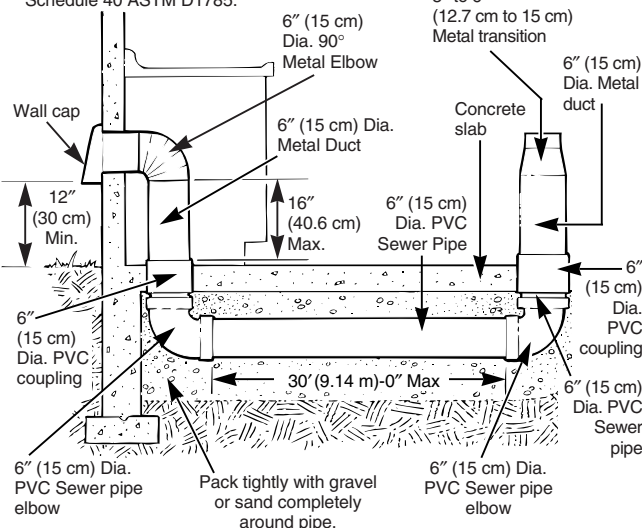
Determine the best route for ductwork; it can be routed in a variety of ways depending on the kitchen layout.

Typical duct arrangement countertop series.



Optional duct arrangement under concrete slab.

NOTE: PVC sewer pipe type PSM 12454-B Schedule 40 ASTM D1785.

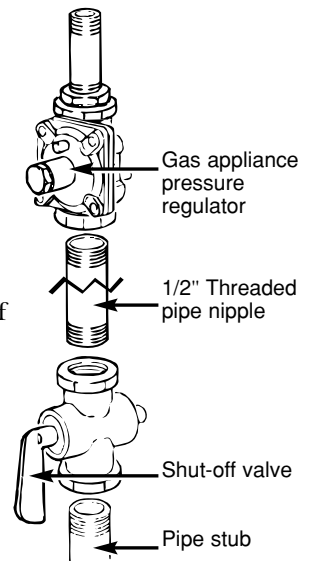


7 GAS CONNECTION

Make the gas connection to the inlet of the pressure regulator on this appliance with a 1/2" pipe nipple with male pipe thread. Use an approved pipe joint compound at pipe connections.

Install a manual shut-off valve in the gas line in an easily accessible location, as close to the pipe stub as possible, making allowances for the ventilation ducting.

Be sure you know how and where to shut off the gas supply to the cooktop.



NOTE:

Instead of using solid piping to connect to pressure regulator, an approved flexible metal appliance connector may be used between the pipe stub and shut-off valve and the pressure regulator, if local codes permit.

Appropriate flare union adapters are required at each end of the flexible connector.

Turn on the gas; check for leaks using a liquid leak detector at all joints in the system.

CAUTION: DO NOT USE A FLAME TO CHECK FOR GAS LEAKS.

IMPORTANT—Disconnect the cooktop and the individual shut-off valve from the gas supply piping system during any pressure testing of that system at test pressures greater than 1/2 PSIG. Isolate the cooktop from the gas supply piping system by closing the individual manual shut-off valve to the cooktop during any pressure testing of the gas supply piping system at test pressures equal to or less than 1/2 PSIG.

Installation Instructions

8 PLAN THE DUCT RUN

1. Make a sketch of the total system. Identify the type of each fitting and the length of straight pipe. Refer to the examples on page 24.
2. Enter your run into the Duct Length Chart on page 25. Elbows, wall caps and other fittings are shown in the chart with their equivalent straight duct length. Each fitting value must be added to the amount of straight duct length used to determine the overall straight duct equivalent length. Use the following examples as a guide.
3. Using good quality ducting material, install per these instructions. A few minutes and pennies spent now will pay long term dividends for the life of the cooktop.

9 INSTALL THE DUCTWORK

- Ducting must conform to local code materials and “make-up” requirements—300 CFM minimum.
- **IMPORTANT:** Save for local electrical inspector’s use.
- Ducting a cooktop is easy but critical for proper performance.
- After reading these instructions, plan the duct run.
- Use the *Duct Length Chart* on page 25 to find the equivalent length of the run.
- Shift the blower to “high range” if indicated (done by snapping the “restrictor ring” out of the blower inlet). Be sure blower is not running.
- Install the duct hardware.

IMPORTANT

Total allowance duct system is:

90 ft. with 6" round wall cap

80 ft. with 3¼" x 10" wall cap

Low range is up to 60 ft.

High range is 61 to 90 ft.

GENERAL CONSIDERATIONS:

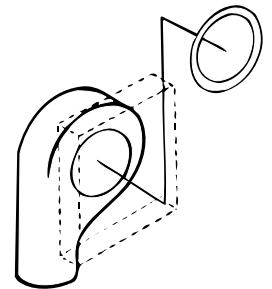
1. Use 6" diameter round or 3¼" x 10" rectangular only except as follows: For gas models, 5" diameter round must be used if the straight duct length is 10 feet or less, using 5" round wall cap.
2. Do not use 5" elbows except in a 5" system. Instead, use a 5" to 6" transition followed by a 6" elbow, or a 5" to 3¼" x 10" elbow transition.

3. Use quality metal duct of at least 26-gauge galvanized or 24-gauge aluminum. Inferior quality pipe and fittings can cause up to twice the restriction shown and is a poor value. See the *Prepare for Duct Work* section of this guide for optional under-slab ducting. Local codes may require a heavier gauge material or restrict PVC.
4. Distance between adjacent fittings (elbows, transitions, etc.) should be at least 18". The farther the better. Closer distance promotes turbulence which reduces airflow.
5. The number of downstream elbows or transitions should be limited to three. The initial 5" to 6" straight transition, if used, need not be counted in this number.
6. Handmade crimps are likely to cause restrictions.
7. If an alternate wall or roof cap is used, be certain duct size is not reduced and that there is a backdraft damper. It is best to use listed caps to be certain of proper performance.
8. Thermal breaks: In areas of extreme cold weather, it may be necessary to provide a short length of nonmetallic duct as close to the wall as possible to prevent conduction along the metal duct.
9. High altitude installations: It is advisable to reduce allowable duct run by 20%.
10. Follow the duct calculation in this guide carefully for best performance and satisfaction.

10 SHIFTING THE BLOWER FROM "LOW RANGE" TO "HIGH RANGE"

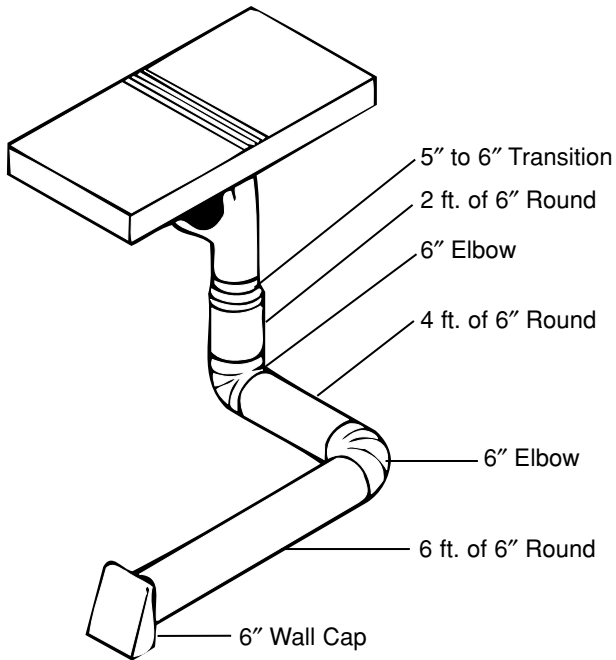
This cooktop is equipped with a dual range blower. It is shipped from the factory in low range for most installations. If the Equivalent Duct Length exceeds 60 feet, it must be shifted to high range. Do not shift to high range for shorter lengths. This will cause excessive noise, conditioned air loss and affect the flame pattern on gas burners.

To shift to high range, be sure the blower is stopped. Remove the air grille. Remove the filter and intake guard. Pop the spring loaded “restrictor ring” out of the blower inlet. Replace the intake guard, grille and filter.



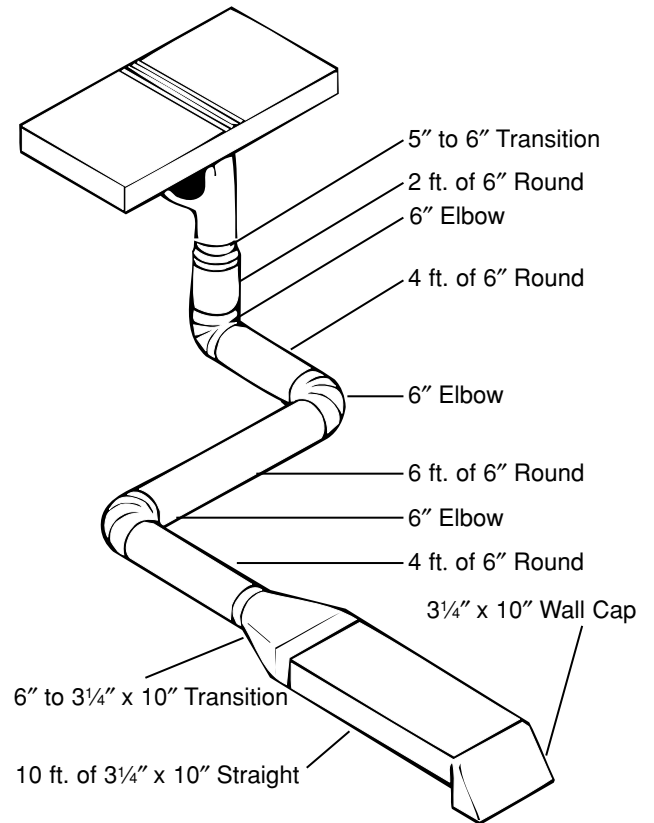
Installation Instructions

Example 1



	Duct Fitting Equivalent Length	Number of Fittings	Total Equivalent Length of Fittings
5" to 6" Transition	1	1	1
6" Straight	1	2+4+6=12	12
6" Elbow	5	2	10
6" Wall Cap	28	1	28
Total			51

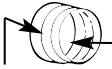
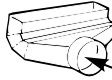
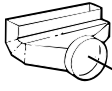
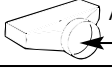
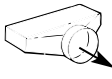
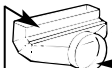
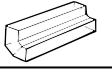
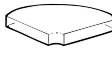

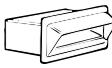
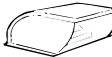

Example 2



	Duct Fitting Equivalent Length	Number of Fittings	Total Equivalent Length of Fittings
5" to 6" Transition	1	1	1
6" Straight	1	2+4+6+4=16	16
6" Elbow	5	3	15
6" to 3 1/4" x 10" Transition	1	1	1
3 1/4" x 10" Straight	1	10	10
3 1/4" x 10" Wall Cap	20	1	20
Total			63

Installation Instructions

DUCT LENGTH CHART

Duct Fitting	Duct Fitting Equivalent Length	Number of Fittings	Total Equivalent Length of Fitting
8" Diameter 90° Elbow	5 ft. (1.52 m)		
6" Diameter 45° Elbow	2.5 ft. (0.76 m)		
 5" to 6" Transition (12.7 cm to 15.24 cm) Air Flow this direction not recommended.	1 ft. (0.30 m)		
 6" to 3/4" x 10" 90° Elbow (15.24 cm to 8.26 cm x 25.4 cm)	5 ft. (1.52 m)		
 3/4" x 10" to 6" 90° Elbow (8.26 cm x 25.4 cm to 15.24 cm)	9 ft. (2.75 m)		
 6" to 3/4" x 10" Transition (15.24 cm to 8.26 cm x 25.4 cm)	1 ft. (0.30 m)		
 3/4" x 10" to 6" Transition (8.26 cm x 25.4 cm to 15.24 cm)	4.5 ft. (1.37 m)		
 5" to 3/4" x 10" 90° Elbow (12.7 cm to 8.26 cm x 25.4 cm) Air Flow this direction not recommended.	6 ft. (1.83 m)		
 3/4" x 10" 90° Elbow (8.26 cm x 25.4 cm)	5 ft. (1.52 m)		
 3/4" x 10" Flat Elbow (8.26 cm x 25.4 cm)	12 ft. (3.66 m)		
 6" Wall Cap (15.24 cm)	28 ft. (8.53 m)		
 3/4" x 10" Wall Cap (8.26 cm x 25.4 cm)	20 ft. (6.10 m)		
 10" x 10" Roof Jack (25.4 cm x 25.4 cm)	0 ft. (0 m)		
 Thermal Break	2 ft. (0.61 m)		
6" Diameter Straight Duct–Feet (For flex duct multiply by 2.)	1 ft. (0.30 m)		
3/4" x 10" Straight Duct–Feet	1 ft. (0.30 m)		
System Total			

Installation Instructions

11 ELECTRICAL CONNECTION

Electrical requirements:

120-volt, 60-Hertz, individual, properly grounded branch circuit protected by a 15-amp circuit breaker or time-delay fuse.

GROUNDING

IMPORTANT: (Please read carefully.) FOR PERSONAL SAFETY, THIS APPLIANCE MUST BE PROPERLY GROUNDED.

The power cord of this appliance is equipped with a three-prong (grounding) plug which mates with a standard three-prong grounding wall receptacle to minimize the possibility of electric shock hazard from this appliance. The customer should have the wall receptacle and circuit checked by a qualified electrician to make sure the receptacle is properly grounded and has correct polarity.

Where a standard two-prong wall receptacle is encountered, it is the personal responsibility and obligation of the customer to have it replaced with a properly grounded three-prong wall receptacle in accordance with the National Electrical Code.

Do Not, Under Any Circumstances, Cut Or Remove The Third (Ground) Prong From The Power Cord.

Do not use an extension cord with this appliance.

12 CHECK IGNITION

After installing the cooktop, check the ignition of each burner.

1. Push in one knob and turn to the LITE position (180° from OFF). The igniter will spark and the burner will light.
2. After the burner is lit, turn the knob to HI and the igniter will stop sparking.
3. Turn the knob to the OFF position.

Repeat this for each burner.



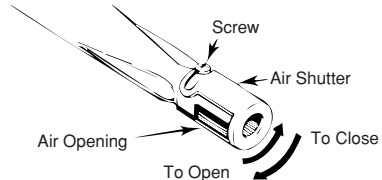
NOTE: If flames are yellow or too low, refer to the *Troubleshooting Tips* section in this manual.

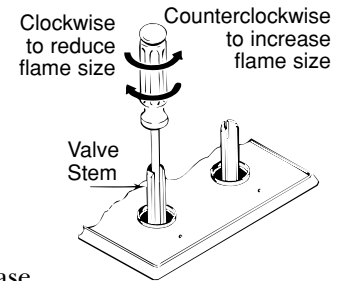
Before you call for service...

ge.com



Troubleshooting Tips
Save time and money! Review the chart on this page first and you may not need to call for service.

Problem	Possible Causes	What To Do
Burners do not light	Plug on cooktop is not completely inserted in the electrical outlet.	<ul style="list-style-type: none"> Make sure electrical plug is plugged into a live, properly grounded outlet.
	Gas supply not connected or turned on.	<ul style="list-style-type: none"> See the <i>Installation Instructions</i> section.
	A fuse in your home may be blown or the circuit breaker tripped.	<ul style="list-style-type: none"> Replace the fuse or reset the circuit breaker.
	Igniter orifice in burner body may be clogged.	<ul style="list-style-type: none"> Remove the obstruction.
	Burner parts not replaced correctly.	<ul style="list-style-type: none"> See Sealed Burner Modules in the <i>Care and cleaning of the cooktop</i> section.
	Hole in burner top behind the igniter may be clogged.	<ul style="list-style-type: none"> Use a small sewing needle to unplug.
Burners have yellow or yellow-tipped flames or flames lift off the port	The combustion quality of burner flames needs to be determined visually.	<ul style="list-style-type: none"> Use the illustrations below to determine if your burner flames are normal. If burner flames look like A, adjust the air shutter. Normal burner flames should look like B.
		<div style="display: flex; justify-content: space-around; align-items: flex-start;"> <div style="text-align: center;">  <p>A–Yellow flames Adjust the air shutter</p> </div> <div style="text-align: center;">  <p>B–Soft blue flames Normal for natural gas</p> </div> </div> <p>Air shutter needs to be adjusted.</p> <ul style="list-style-type: none"> Close the shutter on the mixer tube until the flames settle on the burner ports. <div style="text-align: center;">  </div>
Burner parts not replaced correctly.	<ul style="list-style-type: none"> See <i>Care and cleaning of the cooktop</i> section. 	
Flames too high or too low at the LOW setting	Adjust the low flame setting.	<ol style="list-style-type: none"> Light the top burners and continue turning all of the surface knobs to LOW. Remove all 4 knobs. With a small flat-blade screwdriver, turn the valve set screws clockwise to decrease flame size, counterclockwise to increase flame size. Adjust until the flame is about the same height as the top of the burner. Replace the knobs.



Safety Instructions

Operating Instructions

Care and Cleaning

Troubleshooting Tips

Consumer Support

Before you call for service...



Troubleshooting Tips

Problem	Possible Causes	What To Do
Sparking sound persists after burner is turned off	Be sure the knob is in the OFF position.	<ul style="list-style-type: none"> Remove knob by pulling it straight off the stem and check the bottom of the knob for any build-up of soil.
Occasional sparking sound	Changing blower speed.	<ul style="list-style-type: none"> This is a typical electrical switching noise. This is normal.
Burner flames very large or yellow	Burner parts not replaced correctly.	<ul style="list-style-type: none"> See <i>Care and cleaning of the cooktop</i> section.
Flames are uneven	Burner ports may be clogged.	<ul style="list-style-type: none"> See the <i>Care and cleaning</i> section.
	Flame setting may need to be adjusted.	<ul style="list-style-type: none"> See <i>Flames too high or too low at the LOW setting</i> in this <i>Troubleshooting Tips</i> section.
Control knobs will not turn	Controls improperly set.	<ul style="list-style-type: none"> To turn from the OFF position, push the knob in and then turn. The knob can only be turned in a counterclockwise direction. When the knob is at any other position, it can be turned in either direction without being pushed in.
Fan does not work	Cord improperly connected or power turned off.	<ul style="list-style-type: none"> Check connections. Turn on power at the fuse box.
Fan comes on automatically	Grill is being used.	<ul style="list-style-type: none"> This is normal. The fan comes on automatically when the grill is in use.
Poor venting	Clogged filter.	<ul style="list-style-type: none"> Clean filter per instructions.
	House too airtight.	<ul style="list-style-type: none"> Open a window slightly to provide fresh air source.
	Wall cap obstructed.	<ul style="list-style-type: none"> Remove blockage from exterior wall cap.
	Wall cap damper door stuck.	<ul style="list-style-type: none"> Check exterior wall cap damper door for free movement or obstruction.
	Duct length exceeds recommended 100 equivalent foot maximum.	<ul style="list-style-type: none"> Reduce number of elbows to simplify duct run.
Areas of discoloration on the cooktop	Food spillovers not cleaned before next use.	<ul style="list-style-type: none"> See the <i>Care and cleaning</i> section.
Water won't boil		<ul style="list-style-type: none"> Cover pan with a lid. Turn the downdraft fan OFF until the water begins to boil.

GE Service Protection Plus™

GE, a name recognized worldwide for quality and dependability, offers you Service Protection Plus™—comprehensive protection on all your appliances—**No Matter What Brand!**

Benefits Include:

- Backed by GE
- All brands covered
- Unlimited service calls
- All parts and labor costs included
- No out-of-pocket expenses
- No hidden deductibles
- One 800 number to call

***We'll Cover Any Appliance.
Anywhere. Anytime.****

You will be completely satisfied with our service protection or you may request your money back on the remaining value of your contract. No questions asked. It's that simple.

Protect your refrigerator, dishwasher, washer and dryer, range, TV, VCR and much more—**any brand!** Plus there's no extra charge for emergency service and low monthly financing is available. Even icemaker coverage and food spoilage protection is offered. You can rest easy, knowing that all your valuable household products are protected against expensive repairs.

Place your confidence in GE and call us in the U.S. toll-free at **800.626.2224** for more information.

*All brands covered, up to 20 years old, in the continental U.S.



Please place in envelope and mail to:

General Electric Company
Warranty Registration Department
P.O. Box 32150
Louisville, KY 40232-2150

Consumer Product Ownership Registration

Dear Customer:

Thank you for purchasing our product and thank you for placing your confidence in us. We are proud to have you as a customer!

Follow these three steps to protect your new appliance investment:

1

Complete and mail your Consumer Product Ownership Registration today. Have the peace of mind of knowing we can contact you in the unlikely event of a safety modification.

2

After mailing the registration below, store this document in a safe place. It contains information you will need should you require service. Our service number is 800.GE.CARES (800.432.2737).

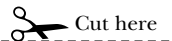
3

Read your Owner's Manual carefully. It will help you operate your new appliance properly.

Model Number

Serial Number

Important: If you did not get a registration card with your product, detach and return the form below to ensure that your product is registered, or register online at ge.com.



Consumer Product Ownership Registration



Model Number

Serial Number

Mr. Ms. Mrs. Miss

First Name

Last Name

Street Address

Apt. #

E-mail Address*

City

State

Zip Code

Date Placed in Use Month

Day

Year

Phone Number - -



GE Consumer & Industrial Appliances
General Electric Company
Louisville, KY 40225
ge.com

* Please provide your e-mail address to receive, via e-mail, discounts, special offers and other important communications from GE Appliances (GEA).

Check here if you do not want to receive communications from GEA's carefully selected partners.

FAILURE TO COMPLETE AND RETURN THIS CARD DOES NOT DIMINISH YOUR WARRANTY RIGHTS.

For information about GEA's privacy and data usage policy, go to ge.com and click on "Privacy Policy" or call 800.626.2224.

GE Gas Cooktop Warranty.



All warranty service provided by our Factory Service Centers, or an authorized Customer Care® technician. To schedule service, on-line, 24 hours a day, visit us at ge.com, or call 800.GE.CARES (800.432.2737). Please have serial number and model number available when calling for service.

Staple your receipt here.
Proof of the original purchase date is needed to obtain service under the warranty.

For The Period Of: **GE Will Replace:**

One Year
From the date of the original purchase

Any part of the cooktop which fails due to a defect in materials or workmanship. During this **limited one-year warranty**, GE will also provide, **free of charge**, all labor and in-home service to replace the defective part.

What GE Will Not Cover:

- Service trips to your home to teach you how to use the product.
- Improper installation, delivery or maintenance.
- Failure of the product if it is abused, misused, or used for other than the intended purpose or used commercially.
- Replacement of house fuses or resetting of circuit breakers.
- Damage to the product caused by accident, fire, floods or acts of God.
- Incidental or consequential damage caused by possible defects with this appliance.
- Damage caused after delivery.
- Product not accessible to provide required service.

EXCLUSION OF IMPLIED WARRANTIES—Your sole and exclusive remedy is product repair as provided in this Limited Warranty. Any implied warranties, including the implied warranties of merchantability or fitness for a particular purpose, are limited to one year or the shortest period allowed by law.

This warranty is extended to the original purchaser and any succeeding owner for products purchased for home use within the USA. If the product is located in an area where service by a GE Authorized Servicer is not available, you may be responsible for a trip charge or you may be required to bring the product to an Authorized GE Service Location for service. In Alaska, the warranty excludes the cost of shipping or service calls to your home.

Some states do not allow the exclusion or limitation of incidental or consequential damages. This warranty gives you specific legal rights, and you may also have other rights which vary from state to state. To know what your legal rights are, consult your local or state consumer affairs office or your state's Attorney General.

Warrantor: General Electric Company, Louisville, KY 40225

Safety Instructions

Operating Instructions

Care and Cleaning

Troubleshooting Tips

Consumer Support

Consumer Support.



GE Appliances Website

ge.com

Have a question or need assistance with your appliance? Try the GE Appliances Website 24 hours a day, any day of the year! For greater convenience and faster service, you can now download Owner's Manuals, order parts, catalogs, or even schedule service on-line. You can also "Ask Our Team of Experts™" your questions, and so much more...



Schedule Service

ge.com

Expert GE repair service is only one step away from your door. Get on-line and schedule your service at your convenience 24 hours any day of the year! Or call 800.GE.CARES (800.432.2737) during normal business hours.



Real Life Design Studio

ge.com

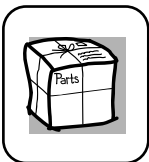
GE supports the Universal Design concept—products, services and environments that can be used by people of all ages, sizes and capabilities. We recognize the need to design for a wide range of physical and mental abilities and impairments. For details of GE's Universal Design applications, including kitchen design ideas for people with disabilities, check out our Website today. For the hearing impaired, please call 800.TDD.GEAC (800.833.4322).



Extended Warranties

ge.com

Purchase a GE extended warranty and learn about special discounts that are available while your warranty is still in effect. You can purchase it on-line anytime, or call 800.626.2224 during normal business hours. GE Consumer Home Services will still be there after your warranty expires.



Parts and Accessories

ge.com

Individuals qualified to service their own appliances can have parts or accessories sent directly to their homes (VISA, MasterCard and Discover cards are accepted). Order on-line today, 24 hours every day or by phone at 800.626.2002 during normal business hours.

Instructions contained in this manual cover procedures to be performed by any user. Other servicing generally should be referred to qualified service personnel. Caution must be exercised, since improper servicing may cause unsafe operation.



Contact Us

ge.com

If you are not satisfied with the service you receive from GE, contact us on our Website with all the details including your phone number, or write to: General Manager, Customer Relations
GE Appliances, Appliance Park
Louisville, KY 40225



Register Your Appliance

ge.com

Register your new appliance on-line—at your convenience! Timely product registration will allow for enhanced communication and prompt service under the terms of your warranty, should the need arise. You may also mail in the pre-printed registration card included in the packing material.



con tiro descendente Estufa de cubierta a gas

Instrucciones importantes de seguridad2-5

Instrucciones de operación

Cacerolas para cocinar 9
Características 6
Controles 8, 9
Ignición eléctrica 8
Módulo de asador10-13
Módulo de quemadores sellados 6, 8-10
Otros accesorios7, 14
Sistema de ventilación 6, 9

Cuidado y limpieza

Accesorio de la plancha para asar 17
Contenedor de porcelana de los quemadores 17
Cubierta de porcelana 15
Cubierta del asador 16
Ignitores17
Módulo de quemadores sellados 17
Parrillas del asador 16
Perillas de control y sello del panel de control ... 15
Quemador del asador 16
Recipiente para grasa 15
Rejilla y filtro de ventilación 16
Superficies de acero inoxidable15

Instrucciones de instalación

Conducto22-25
Conexión de gas21, 22
Conexión eléctrica21, 26
Instalación de la estufa de cubierta20-26
Instrucciones de seguridad18
Preparación19, 20

Solucionar problemas

.....27, 28

Apoyo al consumidor

Apoyo al consumidor32
Garantía31

Manual del propietario e Instrucciones de Instalación

JGP979

Escriba aquí el modelo y números de serie:

Modelo No. _____

Serie No. _____

Estos números se encuentran en una etiqueta debajo de la superficie de la estufa, en el costado de la cámara de ventilación.



INSTRUCCIONES IMPORTANTES DE SEGURIDAD

Lea estas instrucciones antes de usar este aparato.

⚠ ¡ADVERTENCIA!

Por su seguridad, se debe seguir la información de este manual para reducir el riesgo de incendio o explosión, choque eléctrico o para evitar daños a la propiedad, lesiones personales o la pérdida de la vida.

ADVERTENCIA: Si no se sigue con precisión la información en este manual, un incendio o explosión puede resultar causando daños a la propiedad, heridas personales o muerte.

- No guarde ni use gasolina u otros vapores o líquidos inflamables cerca de este o cualquier otro aparato.
- **SI HUELE A GAS**
 - No trate de encender ningún aparato.
 - No toque ningún interruptor eléctrico; no use ningún teléfono en su edificio.
 - Llame inmediatamente a su abastecedor de gas del teléfono de su vecino. Siga las instrucciones del abastecedor de gas.
 - Si no puede comunicarse con su abastecedor de gas, llame al cuerpo de bomberos.
- La instalación y el servicio deben ser efectuados por un instalador calificado, la agencia de servicio o el abastecedor de gas.





AVISO IMPORTANTE DE SEGURIDAD

La Ley sobre los productos tóxicos y de agua potable de California (California Safe Drinking Water and Toxic Enforcement Act) requiere que el gobernador de California publique una lista de sustancias que el estado sabe que causan cáncer, defectos de nacimiento u otros daños de reproducción, y requiere que los negocios les avisen a los clientes contra la exposición potencial a tales sustancias.

Los aparatos de gas causan exposición mínima a cuatro de estas sustancias, tales como el benceno, el monóxido de carbono, el formaldehído y el hollín, causados primordialmente por la combustión incompleta de gas natural. Los quemadores bien ajustados, indicados por una llama azul en vez de una llama amarilla, minimizarán la combustión incompleta. La exposición a estas sustancias puede minimizarse más, ventilando con una ventana abierta o usando un ventilador o una campana de ventilación.



PRECAUCIONES DE SEGURIDAD

Cuando reciba su estufa pídale al técnico que le muestre la localización de la llave de paso y cómo se cierra en caso de necesidad.

- Su estufa deberá ser instalada y conectada a tierra correctamente por un técnico calificado, de acuerdo a las Instrucciones de instalación. Cualquier ajuste o servicio deberán realizarlo únicamente técnicos calificados en instalación de estufas de gas o técnicos calificados en servicio.

IMPORTANTE: Este producto es para uso con gas natural únicamente. NO se puede convertir para uso con gas P.L.
- No trate de reparar o reemplazar cualquier parte de su estufa a menos que se recomiende en forma específica en este instructivo. Cualquier otro tipo de servicio deberá confiarse a un técnico calificado.
- Coloque la estufa fuera de la ruta del tráfico de la cocina y de las corrientes de aire para evitar un desempeño deficiente de los quemadores.
- Conecte su estufa únicamente a una toma de corriente de 120 voltios que esté conectada a tierra. No quite la pata de conexión a tierra de la clavija. Si tiene alguna duda sobre el sistema eléctrico redondeada de conexión a tierra de su casa, es su responsabilidad y obligación personal cambiar la toma de corriente que no esté conectada a tierra por una toma de corriente adecuada para tres pates que esté conectada a tierra de acuerdo con los requerimientos del Código Eléctrico Nacional. No utilice un cable de extensión para este aparato.
- Permita que las parrillas de los quemadores y otras superficies se enfríen antes de tocarlas o dejarlas donde los niños las puedan alcanzar.
- Asegúrese de que su estufa sea ajustada por un técnico de servicio calificado o un técnico calificado en la instalación.
- Asegúrese de quitar todo el material de empaque de la estufa antes de utilizarla para evitar riesgos de incendio o lesiones por fuego o humo en caso de que se incendie el material de empaque.
- No deje a los niños solos o sin atención si la estufa se encuentra caliente o funcionando. Podrían quemarse gravemente.
- No permita que nadie se suba, se pare o se cuelgue de la estufa.
- **PRECAUCIÓN:** No deberán guardarse objetos que puedan ser de interés para los niños en los gabinetes que se encuentran sobre la cubierta. Los niños que se suban a la estufa para alcanzar algún artículo pueden lesionarse gravemente.
- Siempre mantenga los utensilios de madera y plástico y los alimentos enlatados a una distancia segura de la estufa.
- Siempre mantenga los revestimientos de paredes o los cortinas a una distancia segura de la estufa.
- No lleve nunca prendas sueltas o colgantes al usar el aparato. Tenga cuidado al tomar los artículos guardados en los armarios sobre la estufa. Los materiales inflamables se podrían encender si tuvieran contacto con llamas o superficies calientes del horno y podrían causar quemaduras graves.
- Enseñe a los niños a no jugar con los controles o cualquier otra parte de la estufa.
- Por su seguridad nunca utilice este aparato para calentar la habitación.

INSTRUCCIONES IMPORTANTES DE SEGURIDAD

Lea estas instrucciones antes de usar este aparato.



PRECAUCIONES DE SEGURIDAD

- Siempre mantenga las toallas y los paños para platos, los agarradores de ollas y otros elementos de tela a una distancia segura de la estufa.
- No guarde materiales inflamables cerca de la estufa.
- No guarde o utilice gasolina u otros vapores o líquidos inflamables cerca de éste u otro aparato.
- No permita que se acumulen otros materiales inflamables o grasa en o cerca de la estufa.
- No opere el quemador sin todas las partes en su lugar.
- No limpie la estufa con líquidos inflamables o volátiles.
- No limpie la estufa cuando la esté utilizando.
- Evite raspar la estufa con instrumentos filosos, o con anillos y otras joyas.
- Nunca use la estufa como una tabla de cortar.
- No use agua para fuegos iniciados por grasa. Nunca toque una sartén en llamas. Apague los controles. Ahogue una sartén en llamas sobre un quemador cubriendo completamente la sartén con una tapa que ajuste bien, una bandeja de hornear, o una charola plana. Use un extintor de fuegos de sustancia química seca de multiuso o de tipo espuma.

La grasa en llamas por fuera de una sartén se puede extinguir cubriéndola con bicarbonato de sodio, o si está disponible, usando un extintor de fuegos de sustancia química seca de multiuso o de tipo espuma.

ADVERTENCIA: PARA REDUCIR EL RIESGO DE INCENDIO, CHOQUE ELECTRICO O LESIONES A LAS PERSONAS, VIGILE LO SIGUIENTE:

- A. Utilice esta unidad únicamente en la forma que lo determina el fabricante. Si tiene alguna pregunta póngase en contacto con el fabricante.
- B. Antes de darle servicio o limpiar la unidad, apague la unidad con el interruptor que se encuentra en el Panel de servicio.
- C. Cuando corte o perfore una pared o el techo, procure no dañar los cables eléctricos u otros materiales que no se encuentren a la vista.
- D. Los ventiladores de ducto siempre deberán tener una salida de ventilación hacia el exterior.
- E. Para reducir el riesgo de incendio, utilice únicamente ductos de metal.

ADVERTENCIA: PARA REDUCIR EL RIESGO DE INCENDIO DEBIDO A LA PRESENCIA DE GRASA EN LA ESTUFA:

- A. Mantenga limpios el ventilador, los filtros y las superficies que tengan exceso de grasa.
- B. Siempre ENCIENDA el ventilador cuando cocine con la llama alta.
- C. Utilice la llama alta en la estufa únicamente cuando sea necesario. Caliente lentamente el aceite con una llama de intensidad baja a media.
- D. No deje sin vigilancia la estufa cuando esté cocinando.
- E. Siempre utilice ollas y utensilios de cocina apropiados para el tipo y cantidad de comida que se esté preparando.

PRECAUCION: Únicamente para usarse como ventilación general. No se utilice para extraer por succión materiales o vapores peligrosos o explosivos.



COCINE MUY BIEN TODAS LAS CARNES

Cocine muy bien todas las carnes, incluyendo las carnes de aves; las carnes de res, por ejemplo, deben cocinarse a una temperatura INTERNA de por lo menos 160 °F (71 °C) y las carnes de aves deben cocinarse a una temperatura INTERNA de por lo menos 180 °F (82 °C). Por lo general, cocinar a estas temperaturas protege contra las enfermedades que se transmiten a través de los alimentos.



⚠ ADVERTENCIA! QUEMADORES DE LA SUPERFICIE

Use el tamaño correcto de recipiente. Evite usar los recipientes que no son estables o se vuelcan fácilmente. Seleccione los recipientes con fondo plano bastante grandes para contener el alimento y evitar las salpicaduras y derrames y bastante grandes para cubrir las parrillas de los quemadores. Esto ahorrará el tiempo de cocción e impedirá la acumulación peligrosa de alimentos; las salpicaduras dejadas o los derrames dejados sobre la estufa se pueden arder. Use recipientes con mangos que se pueden agarrar fácilmente y que permanecen fríos.

- Siempre use la posición de **LITE** (encendido) cuando encienda los quemadores y asegúrese de que éstos hayan encendido.
- Nunca deje desatendidos los quemadores en las posiciones de llamas altas. Las salpicaduras pueden causar humo y derrames de grasa que pueden encenderse.
- Utilice únicamente agarraderas secas para las ollas calientes—las telas húmedas o mojadas que se usen en superficies calientes pueden dar como resultado quemaduras por el vapor que se produce. No permita que agarraderas de ollas se acerquen mucho a las llamas encendidas cuando levante una olla. No utilice toallas o cualquier otra tela voluminosa en lugar de los agarraderas de ollas que son especiales para agarrar cosas calientes.
- Cuando vaya a usar utensilios de vidrio para la cocina, asegúrese que estén diseñados para usarlos en la estufa.
- Para minimizar la posibilidad de quemaduras, el incendio de materiales inflamables y derrames, coloque los mangos hacia la parte de atrás sin extenderlos sobre los quemadores al lado.
- Siempre apague los quemadores antes de quitar una cacerola.
- Vigile con atención los alimentos que se fríen en llama alta.
- Siempre caliente la grasa lentamente y obsérvela cuando se calienta.
- No deje elementos en la estufa. El aire caliente del ventilador podría encender los elementos inflamables y aumentar la presión en contenedores cerrados, lo que puede causar que exploten.
- Si una combinación de aceites o grasa se usara al freír, revuelva antes de calentar o mientras la grasa se derrite lentamente.
- No use una olla tipo "wok" en la estufa si ésta tiene un aro metálico que se debe colocar sobre la parrilla del quemador para soporte. Este aro actúa como una trampa de calor que puede dañar la parrilla del quemador y la cabeza del quemador. También puede causar que el quemador funcione incorrectamente. Esto puede causar un nivel de monóxido de carbono superior al permitido por los estándares actuales, resultando en un peligro para la salud.
- Los alimentos para freír deben estar tan secos como sea posible. La escarcha sobre los alimentos congelados o la humedad sobre los alimentos frescos pueden provocar que la grasa caliente burbujee y escape por los lados del recipiente.
- Use la cantidad mínima de grasa para freír con poco o bastante aceite de una manera más eficaz. Llenar el recipiente de grasa demasiado puede causar salpicaduras al añadir alimentos.
- Use un termómetro al freír con bastante aceite cuando sea posible para evitar sobrecalentar la grasa sobre el punto de humo.
- Nunca intente mover una sartén de aceite caliente, especialmente una olla de fritar en aceite. Espere hasta que éste se enfríe.
- No queme alimentos sobre la estufa. Si quema alimentos bajo la campana, encienda el ventilador.
- No deje elementos plásticos sobre la estufa ya que se podrían derretir si se dejan muy cerca al ventilador.
- Mantenga los plásticos alejados de todos los quemadores.
- Si huele a gas, cierre la llave de paso del gas de la estufa y llame a un técnico de servicio especializado. Nunca utilice una llama para localizar una fuga.
- Para evitar la posibilidad de una quemadura, siempre asegúrese de que los controles para todos los quemadores estén apagados y que todas las parrillas de los quemadores estén frías antes de tratar de quitarlas.
- Nunca limpie la estufa cuando está caliente. Ciertos limpiadores producen humos nocivos y un paño húmedo podría causar quemaduras de vapor si se usa en una superficie caliente.
- Nunca deje frascos o latas de grasa goteando en la estufa o cerca de ésta.
- No use papel aluminio debajo de las parrillas de los quemadores. Un mal uso podría resultar en un peligro de incendio o daños a la estufa.
- No cubra ni obstruya el área alrededor de las perillas de la estufa. Esta área debe mantenerse libre para que haya un funcionamiento adecuado de los quemadores y una ventilación apropiada.
- Limpie únicamente las partes que aparecen señaladas en este manual del propietario.

Seguridad

Operación

Cuidado y limpieza

Solucionar problemas

Apoyo al consumidor

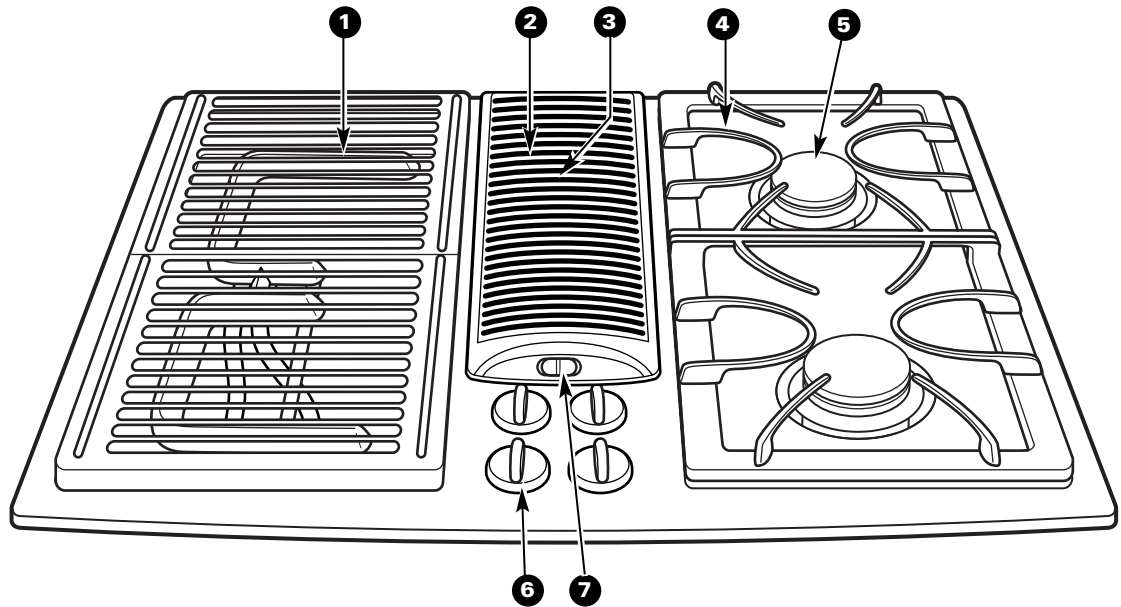


LEA ESTAS INSTRUCCIONES DE SEGURIDAD CUIDADOSAMENTE.

GUARDE ESTAS INSTRUCCIONES

Características de su estufa de cubierta.

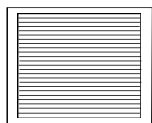
Su modelo puede tener otras características y apariencia que las ilustradas en este manual.



Índice de las características

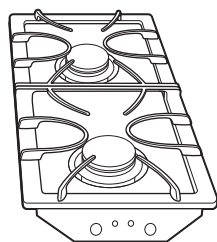
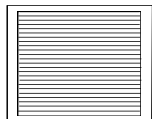
- ➊ Módulo del asador
- ➋ Rejilla de ventilación (el ventilador funciona automáticamente cuando el asador está en uso)
- ➌ Filtros de ventilación (al lado de la rejilla de ventilación)
- ➍ Parrillas de los quemadores
- ➎ Quemadores de la superficie
- ➏ Controles de los quemadores de la superficie
- ➐ Control de sistema de ventilación

Su modelo puede tener otras características y apariencia que las ilustradas en este manual.



Asador Modelo JXGG79

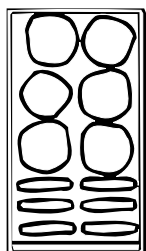
Consta de dos parrillas negras para asar y un quemador de asador.



Módulo de quemadores sellados Modelos JXGB79B (negra) y JXGB79W (blanca)

El asador se puede retirar para instalar un módulo de quemador sellado.

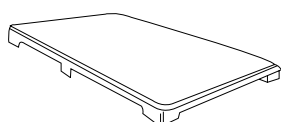
NOTA: El módulo de quemadores sellados opcional (JXGB79) puede reemplazar al quemador del asador. Tanto los quemadores que se suministran con la estufa como el módulo opcional de persianas de ventilación se han ajustado para que sean compatibles en ambos lados.



Plancha Modelo JXGL89

Puede utilizarse únicamente con el módulo del asador. La plancha, con su sistema de autodesfogue, facilita la preparación de mucha de su comida favorita. La superficie

tamaño familiar le permite cocinar varios panqueques, hamburguesas o sándwiches a la parrilla al mismo tiempo.



Cubierta del asador Modelo JXGC89

Una atractiva cubierta para el asador lo protege cuando éste no se utiliza. Es de acero texturizado con asas moldeadas.

Cómo usar los quemadores de la superficie.

Su modelo puede tener otras características y apariencia que las ilustradas en este manual.

Ignición eléctrica

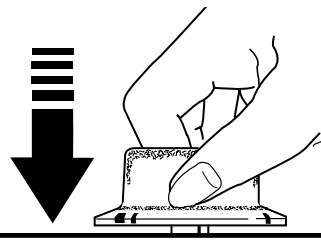
Sus quemadores se encienden por ignición eléctrica, eliminando así la necesidad de pilotos permanentes con llamas que estén encendidas de manera constante.

En caso de una interrupción de la energía eléctrica, puede encender los quemadores de su estufa con un cerillo. Acerque un cerillo encendido al quemador, y luego haga girar la perilla

del quemador hasta la posición HI (alta). **Tome precauciones extremas cuando encienda los quemadores de este modo.**

Los quemadores superiores que se estén usando cuando haya una interrupción de la energía eléctrica continuarán operando de manera normal.

EN CASO DE UNA FALLA ELECTRICA, NO UTILICE EL ASADOR. EL SISTEMA DE VENTILACION NO FUNCIONARA.



Presione la perilla de control y hágala girar hasta LITE (encender).

Cómo encender un quemador

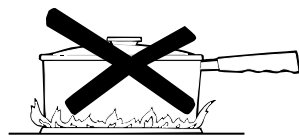
Presione la perilla de control y hágala girar hasta **LITE** (encender).

Escuchará un pequeño **chasquido**—que es el sonido de la chispa eléctrica que enciende el quemador.

Después de encender el quemador, haga girar la perilla para ajustar el tamaño de la llama.

Para apagar un quemador, haga girar la perilla hacia la derecha, hasta que se detenga en la posición de **OFF** (apagado).

Si la llama es muy baja para la posición, se puede ajustar la válvula. Consulte *La llama es muy alta o muy baja en la posición LOW (bajo)* en la sección *Guía para resolver problemas*.



Cómo elegir el tamaño de la llama

Para un manejo seguro de los recipientes, nunca permita que la llama se extienda sobre los lados del recipiente.

Observe la llama, no la perilla del quemador, a medida que reduce el calor. El tamaño de la llama en un quemador de gas

debe adaptarse al tipo de recipiente que esté usando.

Cualquier llama que sea mayor que el fondo del recipiente se desperdicia y sólo sirve para calentar el mango.

Antes de encender un quemador

■ Cerciórese de que todas las parrillas de la estufa estén en su lugar antes de usar cualquier quemador.

■ Únicamente pueden utilizarse los quemadores de la superficie en el lado derecho.

Después de encender un quemador

■ No opere un quemador durante períodos de tiempo prolongados sin que haya un recipiente para cocinar sobre la parrilla del quemador. El acabado de la parrilla del quemador puede desportillarse si no hay una olla o una sartén que absorba el calor.

■ Verifique para asegurarse de que el quemador que encendió sea el que quiere usar.

■ Asegúrese de que los quemadores y parrillas de los quemadores estén fríos antes de colocar la mano, una agarradera, trapos de limpieza u otros materiales sobre ellos.

■ Cuando utilice los quemadores de la superficie, si se encuentra que la posición de **LO** (bajo) es demasiado caliente para los alimentos delicados, se puede ajustar la perilla hasta una posición menor que la de **LO** (bajo).

■ No permita que las sartenes grandes sobrepasen el nivel de las perillas de control. El calor que queda atrapado entre las sartenes grandes y las perillas de control pueden causar daño a las perillas de control.



Use sólo ollas tipo "wok" con fondo plano.

Cocinar en ollas tipo "wok"

Recomendamos que use sólo ollas tipo "wok" con fondo plano. Se encuentran disponibles en la tienda de su localidad.

Use sólo ollas tipo "wok" con fondo plano. No use ollas tipo "wok" con fondo plano con un soporte.

No utilice ollas tipo "wok" con arillos de soporte. Si coloca el arillo sobre la parrilla del quemador, puede causar que el quemador opere de manera inadecuada produciendo niveles de monóxido de carbono superiores a los estándares actuales permitidos. Esto puede ser peligroso para su salud.

Cacerolas para cocinar

Use cacerolas de diámetro grande en los quemadores posteriores.

Aluminio: Los recipientes de peso mediano se recomiendan porque se calientan rápido y parejo. La mayor parte de los alimentos se doran uniformemente en una sartén de aluminio. Utilice sartenes con tapas que ajusten bien cuando cocine con cantidades de agua mínimas.

Recipientes esmaltados: Bajo determinadas condiciones, el esmalte de algunos recipientes puede derretirse. Siga las recomendaciones del fabricante de los recipientes respecto a los métodos para cocinar.

Vidrio: Existen dos tipos de recipientes de vidrio para cocinar—aquéllos que sólo se usan en horno y los que sirven para cocinar en la estufa (sartenes, cafeteras y teteras). El vidrio conduce el calor con mucha lentitud.

Hierro colado: Si se calientan lentamente, la mayoría de las sartenes darán resultados satisfactorios.

Cerámica de vidrio resistente al calor: Puede usarse para cocinar en la estufa o en el horno. Conduce el calor muy lentamente y se enfría también con gran lentitud. Verifique las instrucciones del fabricante para asegurarse de que pueda usarse en estufas de gas.

Acero inoxidable: Este metal por sí solo es un mal conductor de calor y por lo general se combina con cobre, aluminio u otros metales para mejorar la distribución de calor. Las sartenes de metales combinados casi siempre funcionan de manera satisfactoria a calor medio, como lo recomienda el fabricante.

El sistema de ventilación.



Cómo utilizar el sistema de ventilación

El sistema de ventilación integrado ayuda a quitar los vapores al cocinar, los olores y el humo de los alimentos que son preparados en la estufa.

Para encender el ventilador, use el interruptor de control del ventilador en el panel de control.

- Presione hacia el lado izquierdo del interruptor para encender el ventilador.
- Presione hacia el lado derecho del interruptor para apagar el ventilador.

NOTA: Incluso si el interruptor está en la posición de apagado, éste operará automáticamente cuando el quemador del asador está en uso.

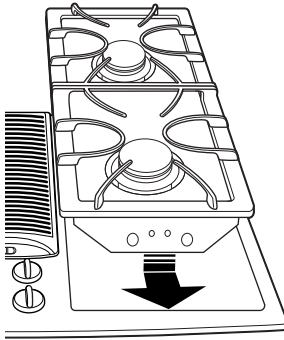
El uso continuo del sistema de ventilación ayuda a mantener la cocina más cómoda y menos húmeda, reduciendo los olores al cocinar y la humedad que por lo general crea una necesidad frecuente de limpieza.

El aspecto de las llamas del quemador puede afectarse cuando el ventilador está operando.

EN CASO DE UNA FALLA EN EL SUMINISTRO DE ENERGÍA, EL SISTEMA DE VENTILACIÓN NO OPERARÁ.

Módulos de quemadores y de asador.

Su modelo puede tener otras características y apariencia que las ilustradas en este manual.



Módulo de quemadores sellados

Para instalar el módulo de quemadores:

1. Asegúrese de que las perillas de control estén en la posición de **OFF** (apagado).
2. Limpie el contenedor inferior de la estufa para retirar cualquier acumulación de grasa. Consulte la sección *Cuidado y limpieza*.
3. Con la parte posterior del módulo de quemadores inclinado y las aberturas del tubo mezclador y los vástagos del ignitor de frente a los orificios y el receptáculo

terminal, inserte el módulo en el contenedor inferior de la estufa.

4. Deslice el módulo de quemadores hacia delante hasta que los tubos y los ignitores empiecen a calzar.
5. Baje la parte posterior del módulo en su lugar y cuidadosamente deslice hacia adelante hasta que los tubos mezcladores y los vástagos del ignitor hayan calzado por completo.

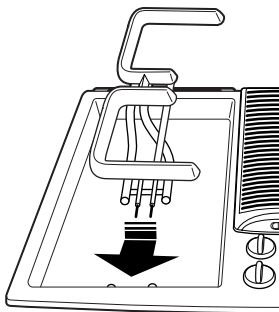
Para quitar el módulo de quemadores:

1. Las perillas de control deberán estar en la posición de **OFF** (apagado) y la estufa deberá estar fría.
2. Levante el borde del módulo de quemadores hasta que el fondo del módulo despeje el borde del contenedor inferior.

IMPORTANTE: No levante el módulo muy alto mientras todavía está conectado, podría dañar los vástagos del ignitor y los tubos mezcladores.

3. Sostenga el módulo por los costados y hale hacia fuera del receptáculo terminal y los orificios. Sáquelo del contenedor inferior cuando esté completamente desconectado.
4. No almacene o acumule los módulos donde se puedan caer o dañar.

NOTA: El módulo opcional de quemadores sellado JXGB79 puede reemplazar el quemador del asador.



Módulo de asador

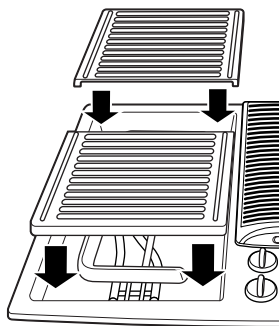
El asador consta de dos parrillas negras para asar y un quemador para asar. Instale la parrilla únicamente del lado izquierdo de su estufa.

Para instalar el módulo de asador:

1. Asegúrese de que las perillas de control estén en la posición de **OFF** (apagado).
2. Coloque el quemador del asador con los tubos mezcladores y el vástago del ignitor de frente a los orificios y el receptáculo terminal.
3. Deslice el quemador del asador hacia delante hasta que los tubos y los ignitores calcen, luego baje el quemador hasta que descansa en las patas de montaje.

4. Cuidadosamente coloque las parrillas del asador en la estufa.

NOTA: Antes de utilizar el asador por primera vez, caliente el quemador del asador para quitar la cubierta protectora con que viene de fábrica para su envío. Caliente el asador en **HI** (alto) durante 10 minutos y utilice el sistema de ventilación para quitar cualquier humo adicional durante el enfriamiento.



Para quitar el módulo de asador:

1. Asegúrese de que las perillas de control estén en la posición de **OFF** (apagado) y todos los componentes del asador estén fríos.
2. Quite las parrillas del asador.
3. Levante el quemador del asador ligeramente y hágalo lejos del receptáculo terminal y los orificios. Sáquelo del contenedor inferior cuando esté completamente desconectado.

4. No almacene ni acumule los módulos donde se puedan caer o dañar.

NOTA: El módulo opcional de quemador sellado JXGB79 puede reemplazar el quemador del asador.

Cómo utilizar el asador

- **El ventilador funcionará automáticamente cuando el quemador del asador esté en uso.**
- Antes de utilizar el asador por primera vez, lave las parrillas del asador con agua caliente jabonosa. Enjuague y seque.
- Acondicione las parrillas untándoles aceite vegetal con una brocha o rocíeles una capa de aceite que no sea pegajosa, por ejemplo use el de la marca Pam®. Haga eso cada vez antes de asar.
- Para una limpieza más fácil, rocíe las parrillas y el contenedor de los quemadores con una capa no pegajosa.
- **Utilice espátulas o utensilios que no sean de metal para evitar que se dañe el acabado de la parrilla del asador que tiene una cubierta de teflón.**
- Precaliente el asador en alto de 5 a 10 minutos. Al precalentar se mejora el sabor y apariencia de las carnes y se dora rápidamente la carne ayudando de este modo a que retenga su jugo.
- **Las cantidades excesivas de grasa deberán cortarse de las carnes.** Un poco de grasa es necesaria para producir el humo necesario para obtener ese sabor ahumado “al aire libre.” Sin embargo, la grasa excesiva puede crear problemas de limpieza y llamaradas.
- Permitir que haya cantidades excesivas de grasa o que se quemé, anula la garantía de las parrillas del asador. Las llamaradas excesivas indican, ya sea que el interior necesita limpiarse, que la carne tiene demasiada grasa o que la carne no fue preparada adecuadamente.
- Al chorrearse la grasa, en ocasiones ésta se incendiará y despedirá aire o fuego por un segundo o dos. Esto es una parte normal del proceso de cocción.
- Nunca deje sin vigilancia el asador cuando esté funcionando.

IMPORTANTE:

- *No utilice papel aluminio dentro del área del asador.*
- *No utilice trozos de madera o carbón dentro del área del asador.*
- *No permita que el contenedor de los quemadores se sobrecargue de grasa. Límpielo siempre después de usarlo.*
- *No cubra las parrillas completamente con la carne.*
- *Deje espacio para que circule aire entre cada trozo de carne, etc., para permitir una ventilación adecuada, así como para prevenir llamaradas.*

Si surgiera una llamarada constante:

1. Utilice el control de ventilación para encender el ventilador.
2. Haga girar las perillas de control del asador hasta la posición de **OFF** (apagado) de inmediato.
3. Quite la carne del asador.

Para asar.

Consejos para asar

- Con su asador, cualquier comida que haya considerado “de lo mejor” cuando se prepara al aire libre, ahora puede prepararse dentro de la casa con menos ajetreo y con un magnífico sabor.
- Las siguientes sugerencias son buenas reglas a seguir e incrementarán el placer de disfrutar de su equipo. Asegúrese de seguir las instrucciones de este manual en lo que se refiere al uso del asador.
- Los tiempos de cocción y los ajustes de control sugeridos son aproximados debido a las variaciones en los tipos de carnes. La experiencia pronto le indicará los tiempos de cocción adecuados y también en qué ajustes funciona mejor.
- Para mejores resultados compre siempre carne de la mejor calidad. Las carnes de por lo menos 3/4 de pulgada (19,1 mm) se asarán mejor que las de corte más delgado.
- Para que la carne se vea atractivamente “de calidad,” asegúrese de que el asador esté precalentado. Permita que un lado de la carne se cocine hasta el punto deseado, o hasta que los jugos aparezcan en la superficie, antes de voltearla. Voltee los bistecs y las hamburguesas solamente una vez. Estar moviendo la comida origina la pérdida de sus jugos.
- Al rociar la carne o aplicar salsas a la comida, recuerde que las cantidades excesivas se acumulan dentro de su asador y no mejoran el sabor de la comida. Aplique las salsas durante los últimos 15 a 20 minutos de cocción a menos que la receta lo especifique de otro modo. Marinar a base de azúcar (salsa de barbacoa, por ejemplo) origina que se forme caramelo en las parrillas del asador y esto creará grandes problemas en el momento de limpiarlas.
- Existen muchos ablandadores de carne, los cuales ayudarán a ablandar cortes de carne menos caros para cocinarlos en el asador.
- Ciertos alimentos, tales como el pescado no grasoso y aves, pueden necesitar algo de grasa extra. Únteles aceite o mantequilla derretida ocasionalmente mientras los asa.
- Utilice pinzas de mango largo o espátulas para voltear las carnes. No utilice tenedores ya que éstos rasgan la carne, permitiendo que se pierdan los jugos.
- Para ayudar a retener los jugos de la carne, póngale sal después de voltear la carne o una vez que ya esté cocida.
- Corte la grasa de los bordes de los bistecs pero no corte la carne para evitar que enrollen durante la cocción.

Precalente el asador en alto de 5 a 10 minutos para obtener un mejor sabor.

Tipo	Ajuste de control	Tiempo de cocción	Procedimiento
Carne			
Bistec [1/2"–3/4" (12,7–19,1 mm)]			
Poco cocido	HI (alto)	6 a 10 minutos	Voltee después 3 a 5 minutos.†
Medio cocido	HI (alto)	10 a 16 minutos	Voltee después 5 a 8 minutos.
Bien cocido	HI (alto)	21 a 24 minutos	Voltee después 6 a 12 minutos.
Bistec [1"–1¼" (25,4–31,7 mm)]			
Poco cocido	HI (alto)	14 a 24 minutos	Voltee después 7 a 12 minutos.†
Medio cocido	HI (alto)	18 a 30 minutos	Voltee después 9 a 15 minutos.
Bien cocido	HI (alto)	24 a 34 minutos	Voltee después 12 a 17 minutos.
Hamburguesas [3–4 oz. (85–113 gr)]	Medio	20 a 25 minutos	Voltee a la mitad del tiempo.
Chuleta de puerco	Medio	20 a 30 minutos	Voltee ocasionalmente.
Chuletas ahumadas de puerco ya cocidas	Medio	10 a 15 minutos	Voltee a la mitad del tiempo.
Rebanadas de jamón	Medio	15 a 20 minutos	Voltee a la mitad del tiempo.
Costillas de puerco	Medio	50 a 65 minutos	Voltee ocasionalmente. Únteles salsa de barbacoa durante los últimos 15 minutos.
Salchichas ya cocidas			
Perritos calientes, marinas	HI (alto)	7 a 12 minutos	Voltee ocasionalmente.
Salchichón polaco	HI (alto)	13 a 16 minutos	Voltee ocasionalmente.
Salchichas frescas			
Salchichón	Medio	15 a 25 minutos	Voltee ocasionalmente.
Empanadas [3" diameter (76,2 mm)]	Medio	15 a 20 minutos	Voltee a la mitad del tiempo.
Salchicha italiana	Medio	25 a 30 minutos	Pique la cubierta con un tenedor. Voltee una sola vez.
Chuletas de cordero	Medio	20 a 30 minutos	Voltee ocasionalmente. Barnícelo si lo desea.
Aves			
Pollo			
Piezas: con hueso	Medio	35 a 50 minutos	Voltee ocasionalmente.
Pechugas sin hueso	Medio	25 a 35 minutos	Voltee ocasionalmente.
Alas	Medio	25 a 35 minutos	Voltee ocasionalmente.
Gallina inglesa (mitad)	Medio	35 a 45 minutos	Voltee ocasionalmente.
Pescado			
Pequeño, entero [1" (25,4 cm)]	Medio	15 a 20 minutos	Úntele mantequilla. Voltee a la mitad del tiempo.
Bistecs [1" (25,4 cm)]	Medio	20 a 25 minutos	Úntele mantequilla. Voltee a la mitad del tiempo.
Filetes—con piel [1/2" (12,7 cm)]	Medio	10 a 15 minutos	Comience con la parte de la piel hacia abajo. Úntele mantequilla. Voltee a la mitad del tiempo.
Camarones (brochetas)	Medio	10 a 20 minutos	Voltee y únteles mantequilla o marínelos frecuentemente.
Pan			
Pan con ajo	Medio	4 a 6 minutos	Voltee a la mitad del tiempo.
Pan para hamburguesas o perritos calientes	Medio	1 a 2 minutos	Voltee a la mitad del tiempo.

† El Departamento de Agricultura de los Estados Unidos de América dice que: "La carne poco cocida es muy popular, pero debe saber que cocinarla a solamente 140 °F (60 °C) significa que algunos organismos tóxicos de la comida pueden sobrevivir." (Fuente: Libro de Comida Segura. Su Guía de Cocina. USDA Rev. Junio 1985.)

Otros accesorios.

Cubierta del asador

La cubierta del asador de acero texturizado es atractiva para la sección del asador de la estufa cuando no está en uso.

Para utilizar la cubierta del asador:

Quite la cubierta antes de calentar el asador. Puesto que la cubierta del asador no parece estar caliente, esto podría causar quemaduras accidentales en caso de que usted o alguien la toque. Calentar la cubierta del asador puede dañar el acabado.

No ponga la cubierta del asador sobre el asador caliente. Deje que el asador se enfríe antes de volver a poner la cubierta en su lugar.

Utilice la cubierta únicamente sobre las parrillas del asador. No la ponga en la plancha para asar o en las parrillas de los quemadores de la superficie.

IMPORTANTE: Aunque el acabado es muy durable, debe tenerse el cuidado de evitar colocar utensilios u otros objetos en la superficie que puedan rayarla.

NO ponga recipientes extremadamente calientes en la superficie, incluyendo asas, ya que éstas pueden estropear o decolorar la cubierta. Es una cubierta atractiva y un cuidado apropiado la mantendrá de esta manera.

La plancha para asar

Como usar la plancha para asar:

1. Antes de utilizarla por primera vez, lave la plancha nueva en agua caliente jabonosa, enjuague y seque. Luego, "acondicione o cure" la superficie untándole una capa delgada de aceite para cocinar o manteca. Quite el exceso de aceite o manteca limpiándolo con una toalla de papel.
2. Inserte el quemador del asador. NO utilice las parrillas del asador.

3. Coloque la plancha para asar sobre el quemador del asador de forma que los orificios de drenaje queden hacia el frente. Esto permitirá que el exceso de grasa se deposite en la charola grasera.
4. Precaliente la plancha de 5 a 10 minutos a la temperatura especificada como lo muestra la Guía de la plancha para asar.
5. Utilice espátulas o utensilios que no sean de metal mientras cocina, para evitar daños al acabado.

Guía de la plancha para asar

NOTA: Estas son guías sugeridas para los ajustes de control y tiempos. Hay factores, como la baja presión del gas, que pueden afectar los tiempos y ajustes de control que proporcionan los mejores resultados. Precaliente 5 a 10 minutos al ajuste indicado.

Tipo de alimento	Ajuste de control	Tiempo de cocción aproximado para el primer lado	Tiempo de cocción aproximado para el segundo lado
Tocino	Medio	4–5 minutos	3–4 minutos
Panes	HI (alto)	2–3 minutos	
Huevos	Medio	2–3 minutos	1 minuto
Dedos de pescado (congelados)	Medio	7–8 minutos	5–7 minutos
Rebanada de jamón	Medio	6–7 minutos	5–6 minutos
Hamburguesas	Medio	5–7 minutos	4–6 minutos
Perritos calientes	HI (alto)	5 minutos	5 minutos
Tostada francesa	HI (alto)	2–4 minutos	2–3 minutos
Sándwiches de queso fundido	HI (alto)	2–3 minutos	2–3 minutos
Panqueques	HI (alto)	1–2 minutos	1–2 minutos
Rodajas de salchicha	Medio	6–8 minutos	4–5 minutos

Antes de limpiar

Antes de limpiar cualquier parte de la estufa, asegúrese de que todos los controles estén apagados y **DESCONECTE LA ENERGÍA ELÉCTRICA DE LA ESTUFA** en la caja de fusibles o en el panel principal del interruptor del circuito de suministro de corriente, o desconecte el enchufe de

corriente localizada debajo de la estufa y dentro de los gabinetes.

No opere la estufa sin que estén colocadas todas las partes.

Perillas de control y sello del panel de control

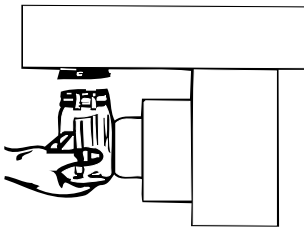
Después de asar, las perillas y el sello del control pueden tener hollín sobre ellos. Se lo puede quitar restregando con una fibra de plástico y detergente suave de lavavajillas.

Las perillas de control pueden quitarse para limpiarse.

Para limpiar las perillas, cerciórese de que estén en la posición de apagado (**OFF**). Hale cada perilla hacia fuera del vástago.

Limpie las perillas en el lavaplatos o lave las perillas en agua y jabón. Antes de que reemplazo, cerciórese de que los interiores de las perillas estén secos.

Cuando reemplace las perillas, revise que estén en la posición de apagado (**OFF**) para garantizar la colocación correcta.



Recipiente para grasa

Hay un recipiente para grasa que está localizado bajo el contenedor del asador, debajo de la encimera. Revise periódicamente para evitar que se derrame. Desatornille y quítelo.

Si se rompe el recipiente, cámbielo por cualquier recipiente templado al calor, por ejemplo frascos que tengan un cuello de rosca estándar.

Cubierta de porcelana

El acabado de porcelana esmaltada es resistente, pero puede romperse debido a un mal uso. El acabado es resistente a los ácidos. Sin embargo, cualquier tipo de alimentos ácidos que se derramen (como zumos de fruta, jitomate o vinagre) no debe dejarse mucho tiempo sobre el acabado.

Si se derraman ácidos sobre la estufa cuando está caliente, use una toalla de papel seca para limpiar de inmediato.

Cuando la superficie se haya enfriado, lave con jabón y agua o con polvos limpiadores. Enjuague bien.

Para otro tipo de derrames, como son las salpicaduras de grasa, lave con jabón y agua o con polvos para limpiar una vez que la superficie esté fría. Pula con una tela seca.

Superficies de acero inoxidable

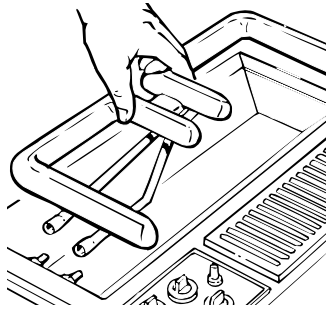
No use almohadillas de fibra metálica que rayen la superficie.

Para limpiar la superficie de acero inoxidable, utilice agua jabonosa templada o un limpiador o pulimento para acero inoxidable. Limpie siempre la superficie en la dirección del grano. Siga las instrucciones del producto limpiador para limpiar la superficie de acero inoxidable.

Para consultas relacionadas con la adquisición de un limpiador o pulimento para electrodomésticos de acero inoxidable o para conocer la ubicación del distribuidor más cercano, llame a nuestro número gratuito:

Centro de piezas nacional 800.626.2002
ge.com

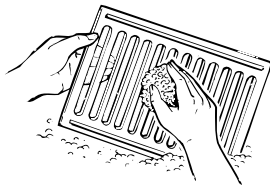
Cuidado y limpieza.



Quemador del asador

El quemador del asador deberá limpiarse siempre después de usarse. Puede limpiarse con una fibra de lana de acero o en la lavavajillas. Enjuague y seque perfectamente bien antes de volver a utilizarlo. Para manchas muy pegadas, primero deberá limpiarse el quemador con una fibra de acero remojada en agua jabonosa, enjuagada y secada. Luego, puede ponerse en un horno de autolimpieza durante dos horas.

NOTA: Revise que todos los puertos de los quemadores estén abiertos. Para abrir puertos que estén obstruidos, meta un alambre delgado directamente en cada puerto.



Parrillas del asador

Las parrilla deben limpiarse después de usarse. Pueden limpiarse con detergente y una fibra de plástico, como Tuffly, o lavarse en la lavavajillas si primero se le quitan los residuos quemados. Para manchas muy adheridas, las parrillas pueden meterse en agua jabonosa caliente a la que se haya añadido amoníaco casero.

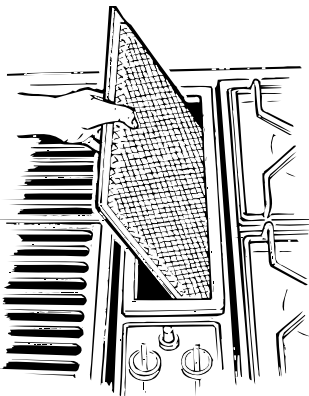
No utilice cepillos de metal o fibras de limpieza abrasivas u otras fibras que sean para limpiar parrillas que están en el exterior. Este tipo de fibras quitarán el acabado y también rayarán las parrillas. No se limpie en un horno de autolimpieza ni use limpiadores para horno en las parrillas.

Cubierta del asador

La cubierta del asador puede limpiarse fácilmente con un paño húmedo y detergente suave o limpiador líquido

casero. Enjuague y seque perfectamente bien.

NO se lave en la lavavajillas.



Rejilla y filtro de ventilación

Rejilla de ventilación: La rejilla de ventilación puede levantarse fácilmente. Límpiela con un paño o lávela en el fregadero con detergentes caseros suaves.

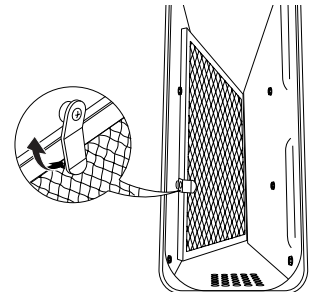
NOTA: En los modelos con una rejilla blanca de ventilación, las manchas de difícil remoción se pueden eliminar colocando la rejilla en remojo por toda la noche en una mezcla 50/50 de blanqueador y agua. Después de limpiarla, enjuague la rejilla completamente y séquela antes de reemplazarla.

Filtro: Apague el ventilador antes de quitarlo. Haga girar la abrazadera de presión que detiene al filtro para así poder quitarlo. El filtro es del tipo permanente y deberá limpiarse cuando se ensucie. Lávelo en el fregadero con agua tibia y detergente líquido de lavavajillas.

IMPORTANTE: No haga funcionar el ventilador sin el filtro. El filtro siempre debe colocarse en un ángulo. Estando usted de frente a la estufa, la parte superior del filtro debe descansar en la parte izquierda de la abertura de ventilación y la parte inferior del filtro deberá descansar en la parte derecha de la cámara

de ventilación al fondo. Si el filtro está plano pegado a la pared del ventilador, la efectividad de la ventilación se reduce.

Cámara de ventilación: Esta área, que guarda el filtro, debe limpiarse en caso de algún derrame o siempre que se cubra con una capa de grasa. La cámara de ventilación puede limpiarse con una toalla de papel, paño húmedo o esponja y un detergente o limpiador suave casero.



Al reemplazar el filtro, cerciórese de que éste descance en un ángulo, en los soportes de la abertura de ventilación. Asegúrelo en su lugar.

Ignitores

Es importante mantener las aberturas del puerto de ignitores en los quemadores libres de obstrucciones para evitar fallas en la ignición y posible acumulación de gas. Si las aberturas del puerto están bloqueadas, use un alambre para retirar las partículas de alimentos.

Accesorio de la plancha para asar

NO sumerja la plancha caliente en agua fría.

Una vez que se haya enfriado la plancha, lave con jabón o detergente en agua caliente en el fregadero. Asegúrese de quitar todos los residuos de comida antes de volver a cocinar en la plancha.

Quite los puntos difíciles con una fibra de plástico. Para obtener mejores resultados, utilice únicamente aquellos productos de limpieza recomendados para limpiar superficies de teflón. No utilice fibras de acero o fibras ásperas.

NO se lave en la lavavajillas.

Módulos de quemador sellado

Estufa de superficie:

Para evitar que la estufa se descolore o se manche:

- Limpie la estufa después de cada uso.
- Limpie los derramamientos de ácido o azúcar tan pronto como la estufa se haya enfriado, ya que éstos pueden decolorar la porcelana.

Quemadores sellados:

Los quemadores sellados de su estufa están fijados al módulo de la estufa y no están diseñados para retirarse. Dado que los quemadores están sellados en el módulo, los hervores excesivos o los derramamientos no se filtrarán por debajo de la estufa. Sin embargo, después de cada uso se deben limpiar las cabezas de los quemadores.

Parrillas de los quemadores:

Las parrillas se deben colocar correctamente antes de cocinar. La instalación incorrecta de las parrillas puede resultar en el descascamiento de la estufa.

No opere los quemadores sin una sartén en la parrilla. El acabado de porcelana de la parrilla puede descascarse sin una sartén que absorba el calor de la llama del quemador.

Aunque las parrillas de los quemadores son duraderas, gradualmente perderán su brillo y/o se descolorarán, debido a las altas temperaturas de la llama de gas.

Contenedor de porcelana de los quemadores

Esta área está localizada debajo del asador y de los quemadores de la superficie y deberán limpiarse después de cada uso del asador.

Para quitar las manchas suaves, limpie con agua jabonosa o con un limpiador como el 409®. Para una fácil limpieza, empape toallas de papel en un limpiador casero, póngalos en el contenedor de los quemadores y deje en remojo por lo menos media hora o más.

Para quitar manchas moderadas, raspe con Comet®, Bon Ami®, una fibra suave o de plástico.

Para quitar manchas difíciles, rocíe con un limpiador de hornos. Deje reposar toda la noche. Limpie, enjuague y seque.

Instrucciones de instalación

Estufa de cubierta a gas con tiro descendente

¿Preguntas? llame a 800.GE.CARES (800.432.2737) o visite nuestro sitio Web: ge.com

En el Estado de Massachusetts:

- Este producto lo debe instalar un plomero con licencia o un instalador de gas.
- Al usar válvulas de cierre de gas de tipo esfera, no deben ser del tipo de manija en T.
- Un conector de gas flexible, cuando se utilice, no debe superar los 3 pies.

ANTES DE COMENZAR

NOTA IMPORTANTE: Este producto es para uso con gas natural únicamente. NO se puede convertir para uso con gas P.L.

Lea estas instrucciones completa y cuidadosamente.

- **IMPORTANTE** — Guarde estas instrucciones para el uso del inspector local.
- **IMPORTANTE** — Observe todos los códigos y ordenanzas vigentes.
- **Nota al instalador** — Cerciórese de dejar estas instrucciones con el consumidor.
- **Nota al consumidor** — Conserve estas instrucciones para referencia futura.
- La instalación correcta es responsabilidad del instalador.
- La falla del producto debido a una instalación incorrecta no está cubierta por la garantía.

POR SU SEGURIDAD

Si percibe olor a gas:

1. Abra las ventanas.
2. No toque los interruptores eléctricos.
3. Apague cualquier llama abierta.
4. Llame de inmediato a su abastecedor de gas.

No almacene o use gasolina u otros vapores y líquidos inflamables en la cercanía de este o cualquier otro aparato.

ADVERTENCIA — Antes de empezar la instalación, cierre el suministro de corriente en el panel del servicio y bloquee el medio de desconexión del servicio para evitar que se encienda accidentalmente. Cuando el medio de desconexión del servicio no se pueda bloquear, fije firmemente en el panel de servicio un dispositivo de advertencia prominente, como un letrero.

INSTRUCCIONES IMPORTANTES DE SEGURIDAD

La estufa es un diseño que ha sido certificado por la Asociación Norteamericana de Gas. Como sucede con cualquier aparato que utilice gas y genere calor, hay ciertas precauciones de seguridad que debe seguir. Encontrará estas precauciones en la sección *Instrucciones importantes de seguridad* en esta manual. Léala detenidamente.

- Asegúrese de que la estufa sea instalada adecuadamente por un técnico calificado o un técnico en servicio.
- La estufa debe tener conexión a tierra de acuerdo con los códigos locales, o en ausencia de éstos, con el Código Eléctrico Nacional ANSI/NFPA No. 70—última edición.
- La instalación de esta estufa debe realizarse de acuerdo con los códigos locales, o en la ausencia de códigos locales, con el Código de Gas Combustible Nacional, ANSI Z223.1—última edición.
- La instalación, el ajuste, la alteración, el servicio o mantenimiento incorrectos pueden causar lesiones o daños a la propiedad. Consulte este manual. Para asistencia o información adicional, consulte a un instalador calificado, agente de servicio, fabricante (distribuidor) o al abastecedor de gas.
- Desconecte el suministro eléctrico antes de dar servicio al aparato.
- Nunca reutilice conectores flexibles viejos. Usarlos podría causar fugas de gas y lesiones personales. Siempre use conectores flexibles **NUEVOS** al instalar un electrodoméstico a gas.
- Asegúrese de que los recubrimientos de las paredes que están alrededor de la estufa resistan el calor generado por la estufa hasta 200 °F (93 °C).
- Evite colocar gabinetes encima de la estufa.
- Si hay gabinetes colocados arriba de la estufa, deje una distancia mínima de 30" (76,2 cm) entre la superficie para cocinar y la parte de abajo de los gabinetes que están protegidos.
- Si una tolerancia de 30" (76,2 cm) entre la superficie de cocina y el material combustible encima de la estufa o los gabinetes metálicos no pueden mantenerse, proteja la parte de abajo de los gabinetes que se encuentran en la parte superior de la estufa con no menos de ¼" (6,4 mm) de cartón y aislante o lámina de yeso de al menos ⅜" (4,8 mm), cubierta con una hoja de metal de calibre 28 o de cobre 0,020" (0,5 mm) de espesor.
- La distancia entre la superficie para cocinar y los gabinetes protegidos **NUNCA DEBE SER MENOR QUE 24 PULGADAS (61 cm)**. La distancia vertical desde la superficie para cocinar hasta la parte inferior de los gabinetes adyacentes superiores que se extienden más de 2" (5,1 cm) a los lados del plano de la estufa no debe ser menor de 18" (45,7 cm).

Instrucciones de instalación

LISTA DE PARTES

- Unidad de base de la estufa de cubierta a gas
- Paquete de literatura
- 1 ensamblaje de quemador de superficie
- 2 parrillas de los quemadores
- 1 filtro de aire
- 1 rejilla de aire
- 1 recipiente para grasa

HERRAMIENTAS Y PARTES NECESARIAS

- Destornillador largo de punta plana
- Serrucho
- Escuadra de carpintero
- Llave para cortar tubos
- Llave de boca de 7/16"
- Llave de paso para gas
- Sellador para las juntas de tubería para uso con conexiones de gas

Para conexiones flexibles donde los códigos locales lo permitan:

- Tubería de metal flexible [de diámetro interior igual a la línea de abastecimiento de gas de 3/4" ó 1/2" (19,1 mm ó 12,7 mm)].
- Adaptador cónico de unión para conectarlo a la línea de abastecimiento [3/4" medida estándar (NPT) x 3/4" de diámetro interno, o 1/2" medida estándar (NPT) x 1/2" de diámetro interno] (19,1 mm x 19,1 mm o 12,7 mm x 12,7 mm).
- Adaptador cónico de unión para conectarlo al regulador [1/2" medida estándar (NPT) x 3/4" de diámetro interno o 1/2" de diámetro interno] (12,7 mm x 19,1 mm o 12,7 mm).

Para conexiones rígidas:

- Piezas de conexión de tubería según se requiera.

IMPORTANTE

Distancia del motor—Proporciona 2" mínimo (5,1 cm) de distancia entre el gabinete y el motor destinado al enfriamiento.

NOTA: Donde sea posible, se recomiendan 6" (15,2 cm) para el servicio del motor/extractor.

Distancia lateral—Los asadores instalados cerca de una pared deben tener una distancia de 8" (20,3 cm).

Debe permitirse que haya espacio suficiente para poder quitar y vaciar el recipiente para grasa.

PRECAUCION: La garantía es nula cuando el equipo se instala de manera diferente a la recomendada por GE. Deben utilizarse las protecciones para cables de la pared y los cables recomendados para un funcionamiento e instalación apropiados.

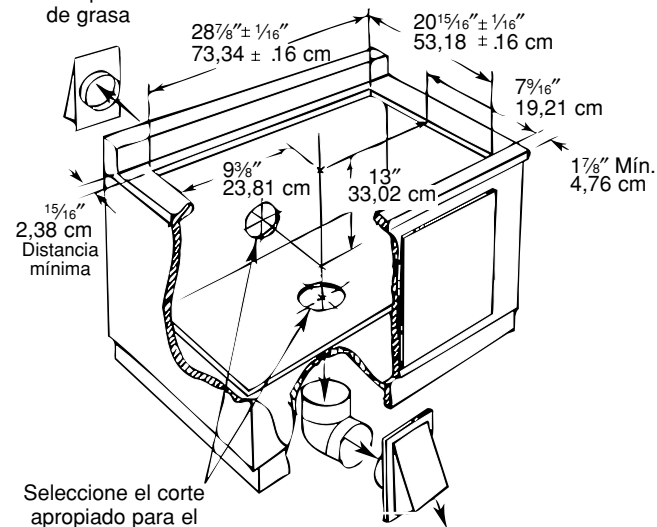
PREPARANDOSE PARA LA INSTALACION

JGP979

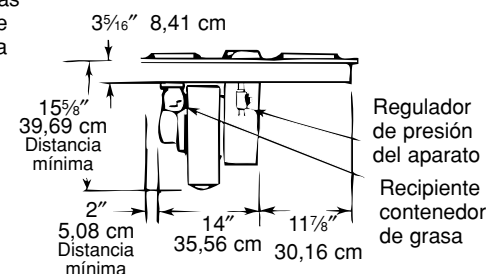
Apriete los pernos que están en cada extremo

* La unidad de tiro descendente puede girarse 90 grados.

Recipiente contenedor de grasa



Seleccione el corte apropiado para el tubo. (Consulte las instrucciones de instalación de la tubería.)

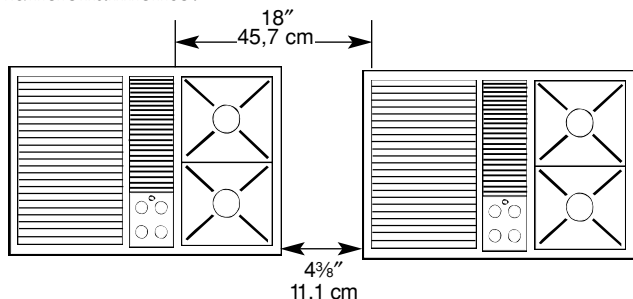


* El tiro puede hacerse girar en dirección horizontal o vertical al aflojar las tuercas que se encuentran alrededor de la entrada del tiro. Dentro existe una cámara de ventilación accesible.

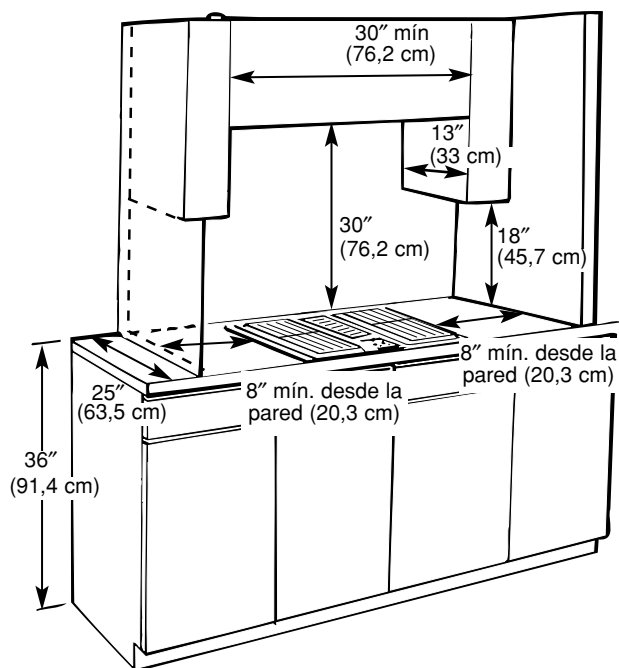
Instrucciones de instalación

ESPACIO MINIMO REQUERIDO

Cuando instale una estufa de doble unidad de tiro en combinación con otra estufa de tiro, conserve entre las unidades el espacio mínimo que se muestra. Instalarlas demasiado cerca afectará su funcionamiento.



1 COMO INSTALAR LOS GABINETES EN LA PARTE SUPERIOR DE LA ESTUFA



Si es posible, evite colocar gabinetes sobre la unidad de la estufa, para reducir así los peligros que se originan cuando hay que tomar algo que esté en un gabinete, pasando el brazo sobre las unidades de la superficie que están calientes.

1 COMO INSTALAR LOS GABINETES EN LA PARTE SUPERIOR DE LA ESTUFA (cont.)

Si los gabinetes se instalan en la parte superior de la estufa, deje una distancia mínima de 30" (76,2 cm) entre la superficie para cocinar y la parte de abajo del gabinete.

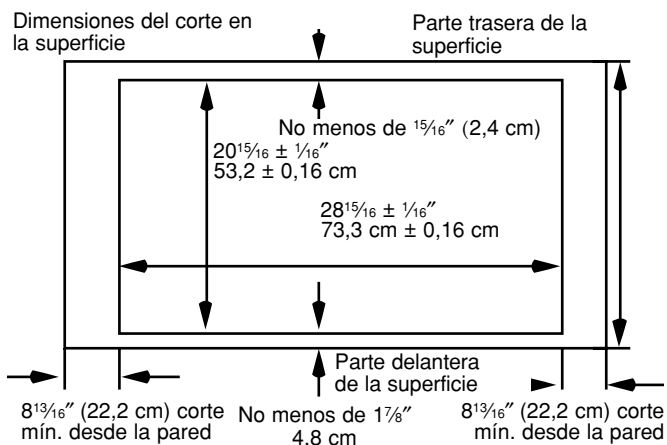
Se debe instalar un material no combustible en la parte de abajo del gabinete. Utilice una estufa retardante a las llamas por lo menos de 1/4" (6,3 mm) de ancho o una lámina de yeso por lo menos de 3/16" (4,7 mm) recubierta con una hoja de acero de calibre 28 o de cobre de 0,020" (0,5 mm) de ancho. La profundidad máxima de los gabinetes en la parte superior de la estufa es de 13" (33 cm).

EXCEPCION: La instalación de un horno de microondas o de otro aparato para cocinar sobre la estufa debe estar en conformidad con las instrucciones de instalación que estén incluidas en el aparato.

Las áreas de trabajo adyacentes a la estufa deberán tener una distancia mínima de 18" (45,7 cm) entre la estufa y la parte de abajo de los gabinetes. Si la distancia es menor de 18" (45,7 cm), los gabinetes adyacentes deberán estar por lo menos a 8" (20,3 cm) de los lados de la estufa.

Instrucciones de instalación

2 PREPARACION DE LA SUPERFICIE



Corte la abertura como lo muestra el diagrama. Mida cuidadosamente cuando corte la superficie, asegúrese de que los lados de la abertura estén paralelos y que los cortes del frente y de atrás están exactamente perpendiculares a los lados.

La parte del frente de la abertura debe dejar libre el riel de soporte en el gabinete y la parte de atrás de la abertura debe dejar libre el soporte trasero del gabinete.

Bisele todas las orillas expuestas del laminado decorativo para evitar que se astillen.

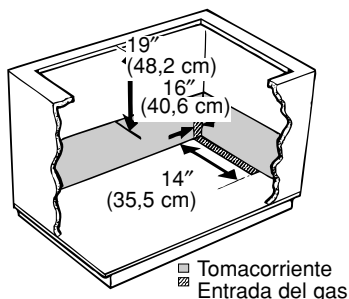
Curve las esquinas de los cortes y lije para asegurar que las orillas estén suaves y así prevenir que se rompan las esquinas.

Las orillas rasposas dentro de las esquinas que no se hayan redondeado y los ajustes forzados pueden contribuir a que se rompa el laminado de la superficie.

La superficie debe mantenerse con un corte dentro de 3" (7,62 cm).

3 UBICACION DEL SUMINISTRO ELECTRICO Y DE GAS

La posición del receptáculo para el suministro eléctrico y del tubo para el suministro de gas que ingresa al gabinete debe ser ubicada como se muestra en las áreas de sombra indicadas en seguida. La estufa está equipada con un cable eléctrico de 4' (1,2 m), que puede alcanzar cualquier posición en las paredes del gabinete. La estufa debe ser desconectada del suministro eléctrico antes de llevar a cabo cualquier mantenimiento.



Áreas adecuadas para el suministro eléctrico y de gas.

4 PROPORCIONE EL SUMINISTRO ADECUADO DE GAS

Esta estufa está diseñada para funcionar solamente con gas natural a 5" (12,7 cm) de la presión de la columna de agua. Es para uso con gas natural únicamente y no es convertible a gas P.L.

Se deberá conectar un regulador de presión en serie al múltiple de la estufa y deberá permanecer en serie con la línea de abastecimiento.

Para una operación correcta, la presión máxima de entrada hacia el regulador no debe ser superior a 10" (25,4 cm) de presión de columna de agua para gas natural. Para revisar el regulador, la presión de entrada deberá ser por lo menos 1" (2,54 cm) mayor que la del ajuste de salida del regulador. Si el regulador está ajustado para una presión de columna de agua de 5" (12,7 cm), la presión de entrada deberá ser de por lo menos 6" (15,2 cm).

Para poder facilitar la instalación, y si los códigos locales lo permiten, la línea de abastecimiento de gas hacia la estufa deberá tener un diámetro interior de 1/2" (13 mm) o 3/4" (19 mm) con un aditamento conector de metal flexible de tres (0,91 m) a cinco pies (1,52 m) de largo.

5 COMO PROBAR LA PRESION

La presión máxima de abastecimiento de gas para el regulador proporcionado en este aparato es de 14" (35,6 cm) W.C. La presión de prueba para revisar este regulador deberá ser de por lo menos 6" W.C. (15,2 cm). Se despacha con ajuste de la fábrica para gas natural a 5" W.C. (12,7 cm).

Este aparato y su llave de paso individual deberán desconectarse del sistema de tubería del abastecimiento de gas cuando se haga alguna prueba de presión de este sistema a presiones de prueba que excedan 1/2 PSIG.

Este aparato deberá aislarse del sistema de la tubería de abastecimiento de gas cerrando su llave de paso individual manual durante cualquier prueba de presión del sistema de la tubería del abastecimiento de gas a una presión de prueba igual o menor que 1/2 PSIG.

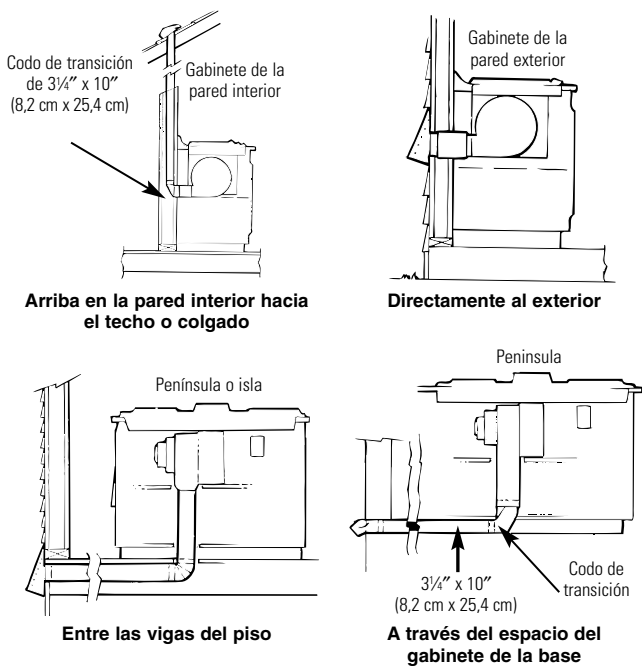
Instrucciones de instalación

6 PREPARACION PARA EL DUCTO

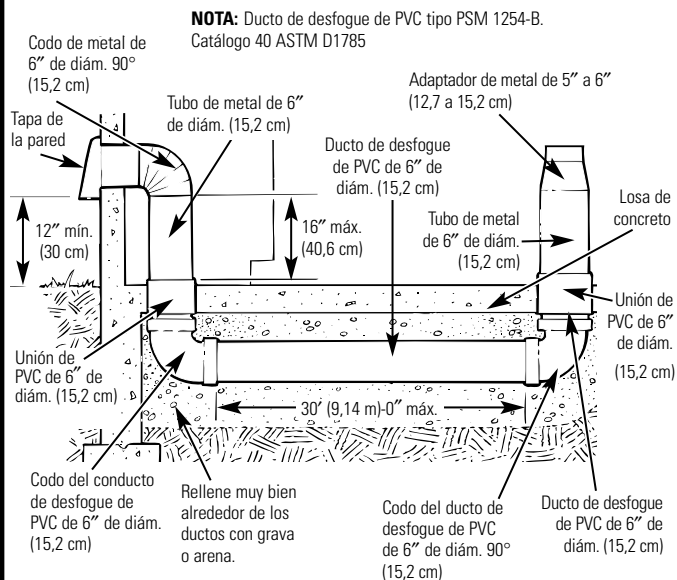
NOTA: El ducto DEBE desfogarse en el exterior. NO se desfogue en una pared, techo, espacios pequeños, ático o cualquier espacio cerrado.

Determine la mejor ruta para el ducto, que puede colocarse en una gran variedad de formas, dependiendo de la distribución de la cocina.

Arreglo típico del ducto de la serie de estufas en cubiertas.



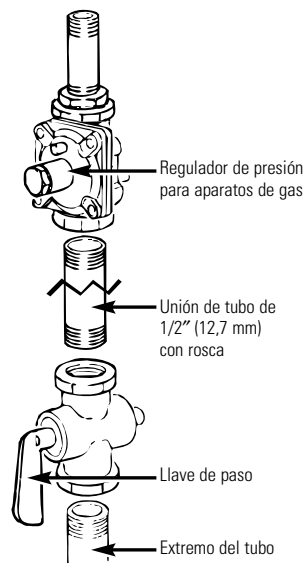
Arreglo opcional del ducto bajo la losa de concreto.



7 CONEXION DE GAS

Haga la conexión de gas en la entrada del regulador de presión usando este aditamento usando este aditamento con una unión de tubo de 1/2" (12,7 mm) con rosca. Utilice un compuesto de unión de tubos aprobado en las conexiones de tuberías.

Instale una llave de paso manual en la línea de gas en una localización de fácil acceso, lo más cerca posible del extremo del tubo, dejando espacio para la tubería de ventilación.



Asegúrese de saber cómo y dónde se cierra el abastecimiento de gas de la estufa.

NOTA:

En lugar de usar tubería sólida para conectar el regulador de presión, puede utilizarse un conector de metal flexible que esté aprobado, para colocarlo entre el extremo del tubo, la llave de paso y el regulador de presión, si los códigos locales lo permiten.

Se requieren adaptadores de unión para tubería apropiados en los extremos de cada conector flexible.

Abra la llave; revise que no haya fugas utilizando un detector de fugas en líquido y pruebe todas las uniones del sistema de tubería.

PRECAUCION: NO UTILICE UNA LLAMA PARA DETECTAR FUGAS DE GAS.

IMPORTANTE—Desconecte la estufa y la llave de paso individual del sistema de la tubería de abastecimiento de gas durante cualquier revisión de presión de ese sistema a presiones de prueba mayores a 1/2 PSIG. Aísle la estufa del sistema de la tubería del suministro de gas cerrando la llave de paso individual hacia la estufa durante cualquier revisión de presión del sistema de la tubería de abastecimiento de gas a presiones de prueba iguales o menores a 1/2 PSIG.

Instrucciones de instalación

8 PLANEE LA TRAYECTORIA DEL DUCTO

1. Haga un boceto de todo el sistema. Identifique el tipo de cada una de las conexiones y la longitud del tubo recto. Consulte los ejemplos de la página 24.
2. Anote el valor de su trayectoria en la Tabla de longitudes de ducto en la página 25. Los codos, las tapas de pared y otras conexiones se muestran en la tabla con su longitud equivalente de ducto recto. Cada valor de conexión debe añadirse a la longitud de ducto recto usado para determinar la longitud equivalente del ducto recto total. Utilice como guía los siguientes ejemplos.
3. Usando material para ductos de buena calidad, instale siguiendo estas instrucciones. Unos cuantos minutos y un poco de dinero que invierta ahora le rendirán beneficios a largo plazo durante la vida útil de la estufa.

9 INSTALACION DEL CONDUCTO

- Las tuberías deben estar de conformidad con los requerimientos de los códigos locales de materiales y “vista de la instalación”—300 CFM como mínimo.
- **IMPORTANTE:** Guarde estas instrucciones para uso del inspector local de electricidad.
- Las conexiones de la tubería de una estufa son muy sencillas pero son de importancia esencial para el funcionamiento adecuado de la misma.
- Después de leer estas instrucciones, planee la trayectoria del ducto.
- Use la *Tabla de Longitud del Ducto* en la página 25 para encontrar la longitud equivalente de la trayectoria.
- Cambie el ventilador a “margen alto” si está indicado hacerlo (esto se hace quitando el “anillo estrangulador” de la entrada del ventilador). Asegúrese de que el ventilador no esté funcionando.
- Instale el ducto.

IMPORTANTE

La tolerancia total del sistema de ductos es:
90 pies con tapa redondo de pared de 6"
80 pies con tapa de pared de 3/4" x 10"
(8,26 cm x 25,4 cm)

El margen bajo es hasta de 60 pies.

El margen alto es de 61 a 90 pies.

CONSIDERACIONES GENERALES:

1. Use un ducto de 6" de diámetro (redondo) o de 3/4" x 10" (8,3 cm x 25,4 cm) si es rectangular, con las siguientes excepciones: Para modelos de gas, debe usarse un diámetro de 5" (12,7 cm) si el largo de la tubería recta es de 10 pies (3,05 m) o menos, usando una tapa redonda de pared de 5" (12,7 cm).
2. No use codos de 5" (12,7 cm) excepto en un sistema de 5" (12,7 cm). En lugar de eso, utilice un conector de 5" (12,7 cm) a 6" (15,24 cm), o un codo de transición de 3/4" x 10" (8,3 x 25,4 cm) de 5" (12,7 cm).
3. Utilice una tubería de metal de buena calidad, galvanizada, por lo menos de calibre 26 ó 24, de

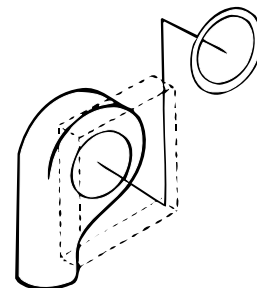
aluminio. Si usa tubos de calidad inferior puede causar una restricción hasta del doble de lo que se muestra y eso representa un valor muy bajo. Consulte la sección *Preparación para el ducto* de esta guía para ver que otro tipo de tubería puede elegir. Los códigos locales pueden exigirle el uso de un material de mayor calibre o restringir el uso de PVC.

4. La distancia entre las conexiones adyacentes (codos, transiciones, etcétera) debe ser por lo menos de 18" (45,7 cm). Entre más lejanas estén una de otra, será mejor el resultado. Las distancias cortas promueven turbulencias que reducen el flujo de aire.
5. El número de codos o transiciones de bajada debe limitarse a tres. La transición recta de 5" a 6" (12,7 cm a 15,2 cm), en caso de usarse, no necesita limitarse a esta cantidad.
6. Los emboquillados hechos a mano quizá originen restricciones.
7. Si se usa una tapa de pared o de techo alternativa, cerciórese de que no se reduzca el tamaño del ducto y de que no haya una válvula de retroceso de corriente. Es mejor utilizar las tapas que se encuentran en la lista para estar seguros de que funcionarán de manera correcta.
8. Interruptor térmico: En áreas de clima extremadamente frío, quizá sea necesario proporcionar un ducto corto no metálico colocado tan cerca de la pared como sea posible para evitar la conducción a lo largo del ducto de metal.
9. Instalaciones a gran altitud: Es recomendable reducir la trayectoria del ducto en un 20%.
10. Siga cuidadosamente los cálculos para ductos que están en esta guía para un mejor rendimiento y satisfacción.

10 COMO CAMBIAR EL TIRO O EXTRACTOR DE "BAJO RANGO" A "ALTO RANGO"

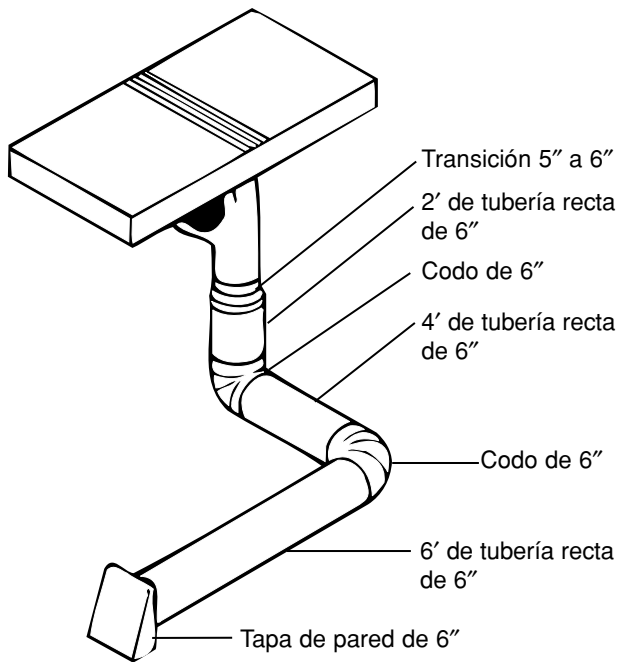
Esta estufa está equipada con un extractor de rango doble. Se envía desde la fábrica en el modo de bajo rango para la mayoría de las instalaciones. Si el Tamaño equivalente del ducto excede los 60 pies (18,3 m) entonces debe cambiarse a alto rango. No lo cambie a alto rango para tuberías más cortas. Esto causaría un ruido excesivo, pérdida de aire acondicionado y afectaría el patrón de la llama de los quemadores de gas.

Para cambiar a alto rango, asegúrese de que el tiro o extractor esté apagado. Quite la rejilla de aire. Quite el filtro y la salvaguardia de entrada. Saque el anillo reductor de la entrada del tiro o extractor. Vuelva a colocar la salvaguardia de entrada, la rejilla y el filtro.



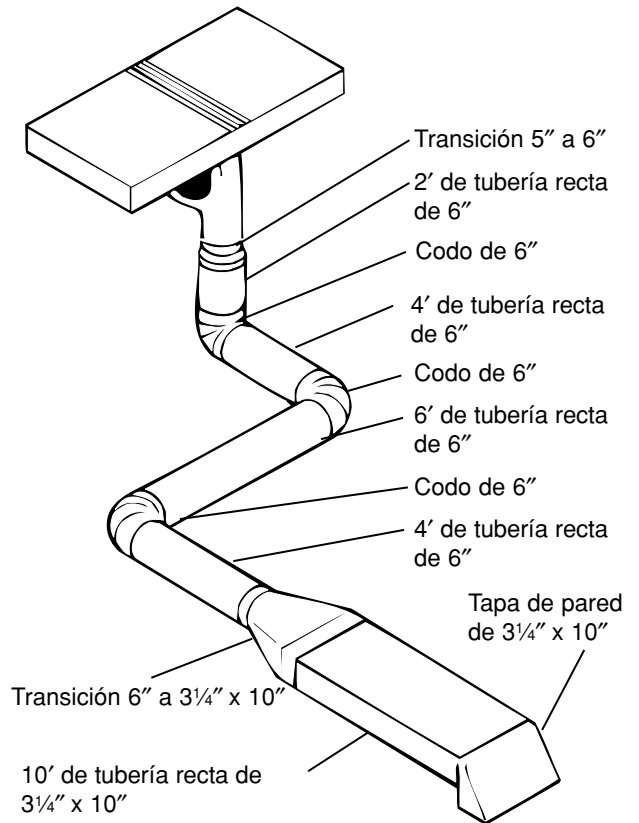
Instrucciones de instalación

Ejemplo 1



	Longitud equivalente de las conexiones	Número de las conexiones	Total de longitud equivalente de las conexiones
Transición 5" a 6"	1	1	1
Tubería recta de 6"	1	2+4+6=12	12
Codo de 6"	5	2	10
Tapa de pared de 6"	28	1	28
Total			51

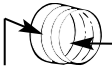
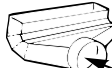
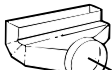
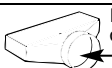
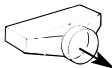
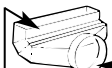

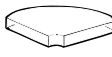



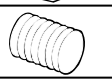
Ejemplo 2



	Longitud equivalente de las conexiones	Número de las conexiones	Total de longitud equivalente de las conexiones
Transición 5" a 6"	1	1	1
Tubería recta de 6"	1	2+4+6+4=16	16
Codo de 6"	5	3	15
Transición 6" a 3 1/4" x 10"	1	1	1
Tubería recta de 3 1/4" x 10"	1	10	10
Tapa de pared de 3 1/4" x 10"	20	1	20
Total			63

Instrucciones de instalación

TABLA DE LONGITUD DEL DUCTO

Conexiones de los ductos	Longitud equivalente de las conexiones del ducto	Número de conexiones	Total de longitud equivalente de las conexiones
Codo de 90° de 8" de diámetro	5' (1,52 m)		
Codo de 45° de 6" de diámetro	2,5' (0,76 m)		
 <p>Transición de 5" a 6" (12,7 cm a 15,24 cm) No se recomienda esta dirección para el flujo de aire.</p>	1' (0,30 m)		
 <p>Codo de 90° de 6" a 3 1/4" x 10" (15,24 cm a 8,26 cm x 25,4 cm)</p>	5' (1,52 m)		
 <p>Codo de 90° de 3 1/4" x 10" a 6" (8,26 cm x 25,4 cm a 15,24 cm)</p>	9' (2,75 m)		
 <p>Transición de 6" a 3 1/4" x 10" (15,24 cm a 8,26 cm x 25,4 cm)</p>	1' (0,30 m)		
 <p>Transición de 3 1/4" x 10" a 6" (8,26 cm x 25,4 cm a 15,24 cm)</p>	4,5' (1,37 m)		
 <p>Codo de 90° de 5" a 3 1/4" x 10" (12,7 cm a 8,26 cm x 25,4 cm) No se recomienda esta dirección para el flujo de aire.</p>	6' (1,83 m)		
 <p>Codo de 90° de 3 1/4" x 10" (8,26 cm x 25,4 cm)</p>	5' (1,52 m)		
 <p>Codo plano de 3 1/4" x 10" (8,26 cm x 25,4 cm)</p>	12' (3,66 m)		
 <p>Tapa de pared de 6" (15,24 cm)</p>	28' (8,53 m)		
 <p>Tapa de pared de 3 1/4" x 10" (8,26 cm x 25,4 cm)</p>	20' (6,10 m)		
 <p>Desfogue de techo de 10" x 10" (25,4 cm x 25,4 cm)</p>	0' (0 m)		
 <p>Interruptor térmico</p>	2' (0,61 m)		
Ducto recto de 6" de diámetro—Pies (para ducto flexible multiplique por 2)	1' (0,30 m)		
Ducto recto de 3 1/4" x 10" Pies	1' (0,30 m)		
Total sistema			

Instrucciones de instalación

11 CONEXION ELECTRICA

Requerimientos eléctricos:

120 voltios, 60 Hertz, circuito individual, rama de circuitos conectados a tierra adecuadamente y protegidos por un interruptor de circuito de 15 amperios o un fusible de retardo.

CONEXION A TIERRA

IMPORTANTE: (Por favor lea con cuidado) **POR SU SEGURIDAD PERSONAL, ESTE APARATO DEBE ESTAR CONECTADO A TIERRA EN FORMA APROPIADA.**

El cable eléctrico de este aparato está equipado con una clavija de tres patas (para conexión a tierra) la cual se conecta a una tomacorriente de pared que esté conectada a tierra y que tenga tres entradas estándar para minimizar de este modo la posibilidad de riesgo de un choque eléctrico con este aparato. El cliente debe hacer que un electricista calificado revise la tomacorriente de la pared y el circuito para asegurarse de que la tomacorriente esté conectada a tierra de manera correcta y de que tenga la polaridad correcta.

Donde haya una tomacorriente de pared de dos entradas, es la responsabilidad y obligación personal del cliente cambiarla por una tomacorriente de tres entradas que esté conectada a tierra de la manera adecuada en conformidad con el Código Eléctrico Nacional.

De ninguna manera, bajo ninguna circunstancia, corte o quite la tercera pata (conexión a tierra) de la clavija del cable eléctrico.

No utilice un cable de extensión para este aparato.

12 REVISE EL ENCENDIDO

Después de instalar la estufa, verifique la ignición de cada quemador.

1. Oprima una perilla y hágala girar hasta la posición de LITE (encender) (180° de OFF [apagado]). El piloto producirá chispas y se encenderá el quemador
2. Después de encender el quemador, haga girar la perilla hasta la posición de HI (alto) y el piloto dejará de producir chispas.
3. Haga girar la perilla hacia la posición de OFF (apagado).



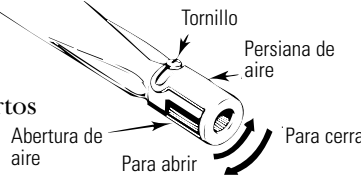
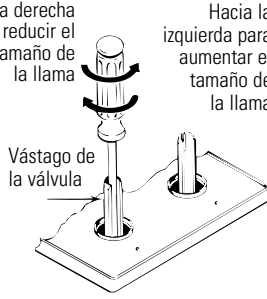
Repita eso para cada quemador.

NOTA: Si las llamas son amarillas o muy bajas, consulte la sección *Guía para resolver problemas* en este manual.



Solucionar problemas

¡Ahorre dinero y tiempo! Revise la siguiente tabla primero y quizás no tenga que llamar para solicitar servicio.

Problema	Causas posibles	Qué hacer
Los quemadores no encienden	El enchufe de la estufa no está completamente conectado en el tomacorriente.	<ul style="list-style-type: none"> Cerchiórese de que el enchufe esté conectado en un tomacorriente activo, correctamente conectado a tierra.
	El suministro de gas no está conectado o encendido.	<ul style="list-style-type: none"> Consulte la sección <i>Instrucciones de instalación</i>.
	Es posible que un fusible o el interruptor de circuitos se haya saltado en su casa.	<ul style="list-style-type: none"> Reemplace el fusible o vuelva a establecer el interruptor de circuitos.
	Es posible que el orificio del ignitor en el cuerpo del quemador esté obstruido.	<ul style="list-style-type: none"> Retire la obstrucción.
	Las partes del quemador no se reemplazaron correctamente.	<ul style="list-style-type: none"> Consulte la sección <i>Modulos de quemadoras sellados</i> en la sección <i>Cuidado y limpieza</i>.
	El orificio en el quemador superior detrás del ignitor puede estar obstruido.	<ul style="list-style-type: none"> Use una aguja de coser pequeña para destaparlo.
Los quemadores tienen llamas amarillas o con puntas amarillas o las llamas se levantan del puerto	La calidad de la combustión de las llamas del quemador se debe determinar visualmente.	<ul style="list-style-type: none"> Use las siguientes ilustraciones para determinar si las llamas de su quemador son normales. Si las llamas del quemador tienen el aspecto de A, ajuste la persiana de aire. Las llamas normales del quemador deben tener el aspecto de B.
		<div style="display: flex; justify-content: space-around;"> <div style="text-align: center;">  <p>A-Llamas amarillas Ajuste la persiana del aire</p> </div> <div style="text-align: center;">  <p>B-Llamas suaves azules Normales para gas natural</p> </div> </div> <p>Se debe ajustar la persiana del aire.</p> <ul style="list-style-type: none"> Cierre la persiana en el tubo mezclador hasta que las llamas se establezcan en los puertos del quemador. 
	Las partes del quemador no se reemplazaron correctamente.	<ul style="list-style-type: none"> Consulte la sección <i>Cuidado y limpieza</i>.
Las llamas son demasiado altas o bajas en el nivel LOW (bajo)	Ajuste el nivel de la llama baja.	<ol style="list-style-type: none"> Encienda los quemadores superiores y continúe girando todas las perillas de la superficie a LOW (bajo). Retire las cuatro perillas. Con un destornillador plano gire los tornillos de la válvula hacia la derecha para aumentar el tamaño de la llama. Ajuste hasta que la llama esté casi a la misma altura que la parte superior del quemador. Reemplace las perillas. 

Seguridad

Operación

Cuidado y limpieza

Solucionar problemas

Apoyo al consumidor

Antes de llamar para solicitar servicio...

Seguridad



Solucionar problemas

Operación

Cuidado y limpieza

Solucionar problemas

Apoyo al consumidor

Problema	Causas posibles	Qué hacer
El sonido de chispa persiste después de haber apagado el quemador	Cerciórese de que la perilla esté en la posición OFF .	<ul style="list-style-type: none"> Retire la perilla halándola en línea recta fuera del vástago y revise la parte de abajo de la perilla en busca de cualquier acumulación de suciedad.
Sonido ocasional de chispa	Cambio de la velocidad del calefactor.	<ul style="list-style-type: none"> Este es un ruido eléctrico normal. Esto es normal.
Las llamas de los quemadores son muy grandes o amarillas	Las partes del quemador no se reemplazaron correctamente.	<ul style="list-style-type: none"> Consulte la sección <i>Cuidado y limpieza</i>.
Las llamas son desiguales	Los puertos de los quemadores pueden estar obstruidos. El nivel de la llama necesita ajuste.	<ul style="list-style-type: none"> Consulte la sección <i>Cuidado y limpieza</i>. Consulte la sección <i>Las llamas son demasiado altas o bajas en el nivel LOW</i> en esta sección <i>Solucionar problemas</i>.
Las perillas de control no giran	Los controles se instalaron incorrectamente.	<ul style="list-style-type: none"> Para girar de la posición OFF, empuje la perilla y luego gire. La perilla sólo se puede girar hacia la derecha. Cuando la perilla esté en otra posición, se puede girar en cualquier dirección sin necesidad de empujarla.
El ventilador no funciona	El cable está conectado incorrectamente o la energía está desconectada.	<ul style="list-style-type: none"> Revise las conexiones. Conecte la electricidad en la caja de fusibles.
El ventilador se prende automáticamente	El asador está en uso.	<ul style="list-style-type: none"> Esto es normal. El ventilador se prende automáticamente cuando el asador está en uso.
Ventilación deficiente	El filtro está obstruido. La casa es muy hermética. La tapa de pared está obstruida. La puerta del regulador de tiro de la tapa de pared se atascó. La longitud del ducto supera el equivalente máximo recomendado de 100 pies.	<ul style="list-style-type: none"> Limpie el filtro según las instrucciones. Abra la ventana ligeramente para ofrecer una fuente de aire fresco. Retire la obstrucción de la tapa de pared. Revise el movimiento libre o si hay alguna obstrucción en la puerta exterior del regulador de tiro de la tapa de pared. Reduzca el número de codos para simplificar la longitud del ducto.
Áreas descoloradas en la estufa	No se limpiaron los derramamientos antes del siguiente uso.	<ul style="list-style-type: none"> Consulte la sección <i>Cuidado y limpieza</i>.
El agua no hierve		<ul style="list-style-type: none"> Cubra la olla con una tapa. Apague el ventilador descendente hasta que el agua empiece a hervir.

Notas.

<i>Seguridad</i>	<i>Operación</i>	<i>Cuidado y limpieza</i>	<i>Solucionar problemas</i>	<i>Apoyo al consumidor</i>
------------------	------------------	---------------------------	-----------------------------	----------------------------

<i>Apoyo al consumidor</i>	<i>Solucionar problemas</i>	<i>Cuidado y limpieza</i>	<i>Operación</i>	<i>Seguridad</i>
-----------------------------------	------------------------------------	----------------------------------	-------------------------	-------------------------

Notas.

Garantía de GE para su estufa de cubierta a gas.



Todos los servicios de garantía los proporcionan nuestros Centros de Reparación de Fábrica o nuestros técnicos Customer Care® autorizados. Para concertar una cita de reparación, en línea, 24 horas al día, visítenos en ge.com, o llame al 800.GE.CARES (800.432.2737). Cuando llame para solicitar servicio, por favor tenga a mano el número de serie y el número de modelo.

Peque aquí su recibo. Se requiere facilitar prueba de la fecha de compra original para obtener un servicio bajo la garantía.

Por el período de: **GE reemplazará:**

Un año

A partir de la fecha de la compra original

Cualquier parte de la estufa de cubierta a gas que falle debido a defectos en los materiales o en la fabricación. Durante esta **garantía limitada de un año**, GE también proporcionará, **sin costo alguno**, toda la mano de obra y los servicios internos para reemplazar partes defectuosas.

Lo que no está cubierto por GE:

- Viajes de servicio a su casa para mostrarle cómo funciona el equipo.
- Instalación, entrega o mantenimiento inapropiada.
- Fallo del producto resultante de modificaciones al producto o debido a uso incorrecto incluyendo no proporcionar mantenimiento razonable y necesario.
- Reemplazo de fusibles de la casa o reajuste del sistema de circuitos.
- Daño al producto causado por accidentes, incendios, inundaciones o actos de la naturaleza de fuerza mayor.
- Daños incidentales o consecuenciales causados por defectos posibles con este aparato.
- Daños causados después de la entrega.
- Producto no accesible para facilitar el servicio requerido.

EXCLUSIÓN DE GARANTÍAS IMPLÍCITAS—Su único y exclusivo derecho es la reparación del producto, tal y como se indica en esta Garantía limitada. Cualquier garantía implícita, incluyendo las garantías implícitas de comerciabilidad o adecuación para un fin determinado, están limitadas a un año o el período de tiempo más breve permitido por la ley.

Esta garantía se extiende al comprador original y cualquier comprador posterior de productos comprados para uso residencial dentro des Estados Unidos. Si el producto está situado en un área que no dispone de servicio por parte de un proveedor de servicio autorizado de GE, podría tener que hacerse cargo de los costes de envío o bien podría solicitársele que lleve el producto a una centro de servicio de GE autorizado para realizar la reparación. En Alaska, la garantía excluye el costo de envío o las visitas de servicio a su casa.

Algunos estados no permiten la exclusión o las limitaciones de daños incidentales o consecuenciales. Esta garantía da derechos legales específicos, y usted podría tener otros derechos que variarán de estado a estado. Para saber cuáles son sus derechos legales, consulte a la oficina de asuntos del consumidor local o la oficina del Procurador (Attorney General) en su localidad.

Garante: General Electric Company. Louisville, KY 40225

Seguridad

Operación

Cuidado y limpieza

Solucionar problemas

Apoyo al consumidor

Apoyo al consumidor.



Página Web de GE Appliances

ge.com

¿Tiene alguna pregunta sobre su electrodoméstico? ¡Pruebe la página Web de GE Appliances 24 horas al día, cualquier día del año! Para mayor conveniencia y servicio más rápido, ya puede descargar los Manuales de los Propietarios, pedir piezas o incluso hacer una cita en línea para que vengan a realizar una reparación. También puede “Ask Our Team of Experts™” (Preguntar a nuestro equipo de expertos) sobre cualquier cuestión y mucho más...



Solicite una reparación

ge.com

El servicio de expertos GE está a tan sólo un paso de su puerta. ¡Entre en línea y solicite su reparación cuando le venga bien 24 horas al día cualquier día del año! O llame al 800.GE.CARES (800.432.2737) durante horas normales de oficina.



Real Life Design Studio (Estudio de diseño para la vida real)

ge.com

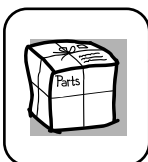
GE apoya el concepto de Diseño Universal—productos, servicios y ambientes que pueden usar gente de todas las edades, tamaños y capacidades. Reconocemos la necesidad de diseñar para una gran gama de habilidades y dificultades físicas y mentales. Para más detalles sobre las aplicaciones de GE Diseño Universal, incluyendo ideas de diseño para la cocina para personas con discapacidades, mire nuestra página Web hoy mismo. Para personas con dificultades auditivas, favor de llamar al 800.TDD.GEAC (800.833.4322).



Garantías ampliadas

ge.com

Compre una garantía ampliada y obtenga detalles sobre descuentos especiales disponibles mientras su garantía está aún activa. Puede comprarla en línea en cualquier momento, o llamar al 800.626.2224 durante horas normales de oficina. GE Consumer Home Services estará aún ahí cuando su garantía termine.



Piezas y accesorios

ge.com

Aquellos individuos con la calificación necesaria para reparar sus propios electrodomésticos pueden pedir que se les manden las piezas o accesorios directamente a sus hogares (aceptamos las tarjetas VISA, MasterCard y Discover). Haga su pedido en línea hoy, 24 horas cada día o llamar por teléfono al 800.626.2002 durante horas normales de oficina.

Las instrucciones descritas en este manual cubren los procedimientos a seguir por cualquier usuario. Cualquier otra reparación debería, por regla general, referirse a personal calificado autorizado. Debe ejercerse precaución ya que las reparaciones incorrectas pueden causar condiciones de funcionamiento inseguras.



Póngase en contacto con nosotros

ge.com

Si no está satisfecho con el servicio que recibe de GE, póngase en contacto con nosotros en nuestra página Web indicando todos los detalles así como su número de teléfono o escríbanos a:

General Manager, Customer Relations
GE Appliances, Appliance Park
Louisville, KY 40225



Registre su electrodoméstico

ge.com

¡Registre su nuevo electrodoméstico en línea—cuando usted prefiera! El registrar su producto a tiempo le proporcionará, si surgiera la necesidad, una mejor comunicación y un servicio más rápido bajo los términos de su garantía. También puede enviar su tarjeta de registro pre-impresa que se incluye en el material de embalaje.