

This Owner's Manual is provided and hosted by [Appliance Factory Parts](#).



BROAN QT230BL Owner's Manual

[Shop genuine replacement parts for BROAN QT230BL](#)



[Find Your BROAN HVAC Parts - Select From 1309 Models](#)

----- Manual continues below -----

Quiet Hood™

QT20000 SERIES



IMPORTANT SAFETY INSTRUCTIONS

WARNING – TO REDUCE THE RISK OF FIRE, ELECTRIC SHOCK, OR INJURY TO PERSONS, OBSERVE THE FOLLOWING:

1. Use this unit only in the manner intended by the manufacturer. If you have questions, contact the manufacturer at the address or telephone number listed in the warranty.
2. Before servicing or cleaning unit, switch power off at service panel and lock service panel to prevent power from being switched on accidentally. When the service disconnecting means cannot be locked, securely fasten a prominent warning device, such as a tag, to the service panel.
3. Installation work and electrical wiring must be done by a qualified person(s) in accordance with all applicable codes and standards, including fire-rated construction codes and standards.
4. Sufficient air is needed for proper combustion and exhausting of gases through the flue (chimney) of fuel burning equipment to prevent backdrafting. Follow the heating equipment manufacturer's guideline and safety standards such as those published by the National Fire Protection Association (NFPA), and the American Society for Heating, Refrigeration and Air Conditioning Engineers (ASHRAE), and the local code authorities.
5. When cutting or drilling into wall or ceiling, do not damage electrical wiring and other hidden utilities.
6. Ducted fans must always be vented to the outdoors.
7. Use with approved cord-connection kit only.
8. To reduce the risk of fire, use only metal ductwork.

TO REDUCE THE RISK OF A RANGE TOP GREASE FIRE:

1. Never leave surface units unattended at high settings. Boilovers cause smoking and greasy spillovers that may ignite. Heat oils slowly on low or medium settings.
2. Always turn hood ON when cooking at high heat or when cooking flaming foods.
3. Clean ventilating fans frequently. Grease should not be allowed to accumulate on fan or filter.
4. Use proper pan size. Always use cookware appropriate for the size of the surface element.

TO REDUCE THE RISK OF INJURY TO PERSONS IN THE EVENT OF A RANGE TOP GREASE FIRE, OBSERVE THE FOLLOWING*:

1. **SMOTHER FLAMES** with a close-fitting lid, cookie sheet, or metal tray, then turn off the burner. **BE CAREFUL TO PREVENT BURNS.** If the flames do not go out immediately, **EVACUATE AND CALL THE FIRE DEPARTMENT.**
2. **NEVER PICK UP A FLAMING PAN** - You may be burned.
3. **DO NOT USE WATER**, including wet dishcloths or towels - a violent steam explosion will result.
4. Use an extinguisher **ONLY** if:
 - A. You know you have a Class ABC extinguisher, and you already know how to operate it.
 - B. The fire is small and contained in the area where it started.
 - C. The fire department is being called.
 - D. You can fight the fire with your back to an exit.

* Based on "Kitchen Firesafety Tips" published by NFPA.

IMPORTANT SAFETY INSTRUCTIONS

1. For general ventilating use only. **Do not** use to exhaust hazardous or explosive materials and vapors.
2. To reduce the risk of fire or electrical shock, this range hood should not be used with an additional speed control device.
3. To reduce the risk of shock, disconnect power before servicing.
4. To reduce the risk of fire and to properly exhaust air, be sure to duct air outside.

PLAN THE INSTALLATION

Recommended mounting height is 18" to 24" from the bottom of the range hood to the top of the cooking surface.

The hood should be mounted to the bottom of a standard wall cabinet. If the hood must be mounted directly to a wall, secure the hood to wall studs.

All wiring must comply with local codes and the unit must be properly grounded. The hood is connected to a 110-120vAC lighting circuit (15 amp) in the circuit breaker or fuse box.

This range hood is "Convertible" – it may be installed as a ducted or as a non-ducted unit.

IF THE RANGE HOOD IS TO BE NON-DUCTED:

- Purchase non-ducted (duct-free) charcoal filter Model BPQTF.

IF THE RANGE HOOD IS TO BE DUCTED:

- Ductwork can be installed vertically or horizontally.
- Duct runs should be as short as possible.
- Avoid the use of elbows.
- Use duct tape at all joints.
- Do not use duct smaller than the discharge on the hood.
- For 7" round ductwork installation, use 7" round damper, Model BP87 (purchased separately).

HORIZONTAL DISCHARGE THROUGH WALL

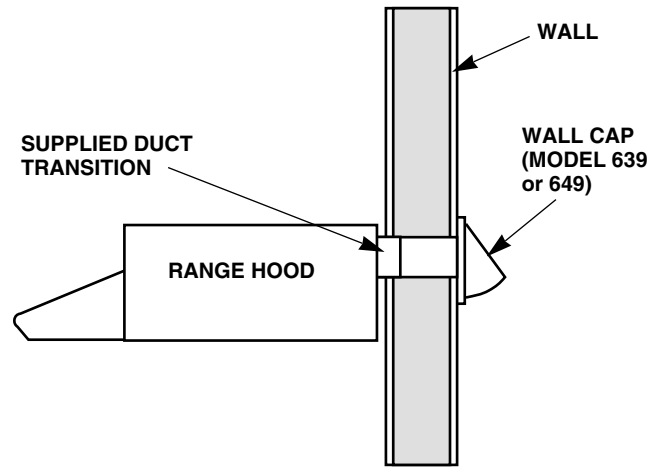
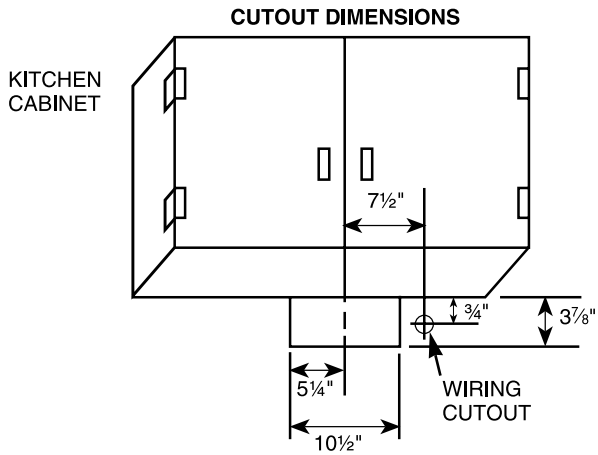


FIGURE 1

VERTICAL DISCHARGE USING 3 1/4" x 10" DUCT

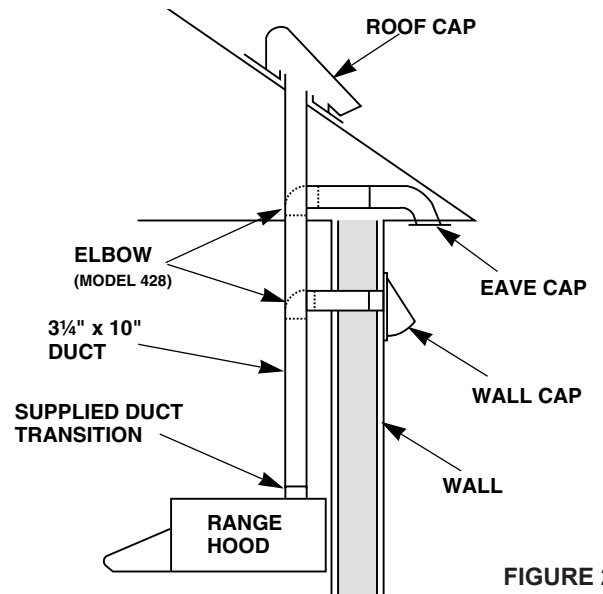
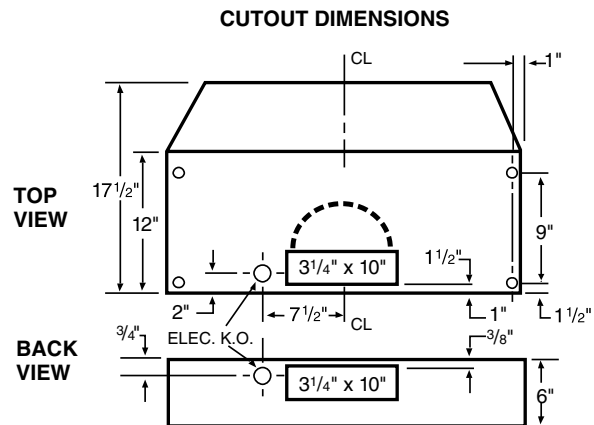


FIGURE 2

VERTICAL DISCHARGE USING 7" ROUND DUCT

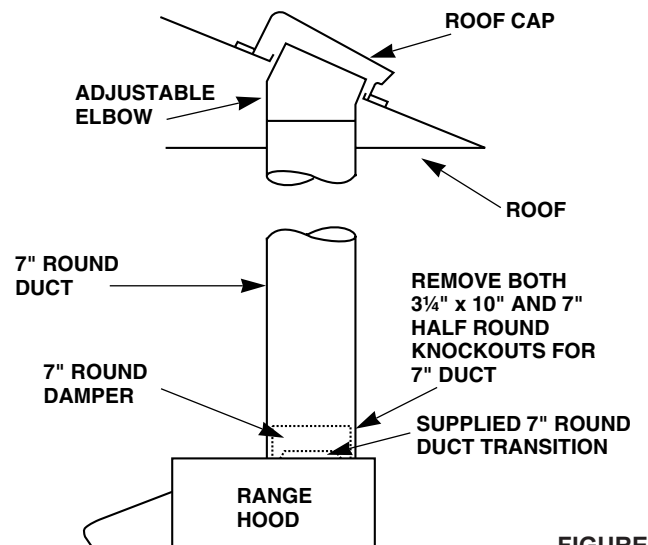
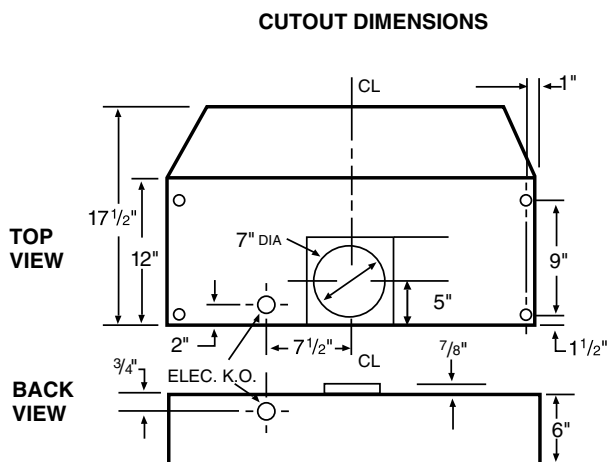


FIGURE 3

PREPARATION

1. Use the dimensional drawings (Refer to FIGURES 1 - 3) to lay out the range hood's mounting holes, wiring access and ductwork by marking the cabinet bottom and drywall where applicable.
2. Make cutouts for wiring and ductwork.
3. If the hood is to be ducted, install the ductwork so that is flush to the range hood's mounting surface.
 - Refer to FIGURE 1 if the range hood is to be installed with a horizontal discharge.
 - Refer to FIGURE 2 and FIGURE 3 if the range hood is to be installed with a vertical discharge.
4. Run two-conductor wire (with ground) from a power source to the hood location. Bring approximately 12" of wiring through wiring hole in cabinet.
5. Drill four 3/32" diameter pilot holes at points where mounting holes are marked in cabinet bottom.
6. Insert four (4) mounting screws, leaving approximately 1/4" of thread exposed.
7. Remove and retain the mounting screws securing the 3 1/4" x 10" and 7" duct transitions to the hood. Install the appropriate duct transition as described in the installation section.

INSTALLATION

1. Remove the necessary duct opening and wiring knockout from the range hood.

If the range hood is to be installed as a non-ducted unit, remove the wiring knockout only.

If the range hood is to be installed as a ducted unit, a baffle plate is provided to close off the non-ducted vent. Install baffle plate (Refer to FIGURE 4) by sliding into place behind grille. Use locator bumps to orient in grille.
2. **For 7" round discharge installation, refer to FIGURE 5.** Secure 7" adapter (included) to top of hood using screws provided. Install 7" round damper (Model BP87, purchased separately).

For 3 1/4" x 10" vertical discharge installation, refer to FIGURE 6. Secure 3 1/4" x 10" transition (if used) to top of hood.

For 3 1/4" x 10" horizontal discharge installation, refer to FIGURE 7. If using supplied 3 1/4" x 10" duct transition, secure it to the range hood. Ensure that the damper flap operates fully and freely. If it does not, remove the damper flap or make necessary modifications to the installation to insure full and free operation of the damper flap.
3. Feed the wiring through the access hold and into the electrical box.
4. Align hood's keyhole mounting slots over the four (4) partially installed screws.
5. Making sure the duct positions over the hood's duct transition, push the hood against the rear wall. Secure hood by tightening screws.
6. Using a long blade screwdriver, reach into the discharge opening and make sure the damper flap operates freely (vertical discharge only).

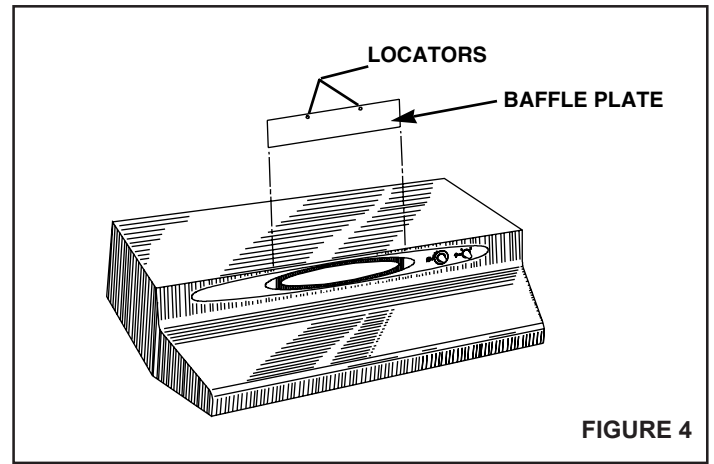


FIGURE 4

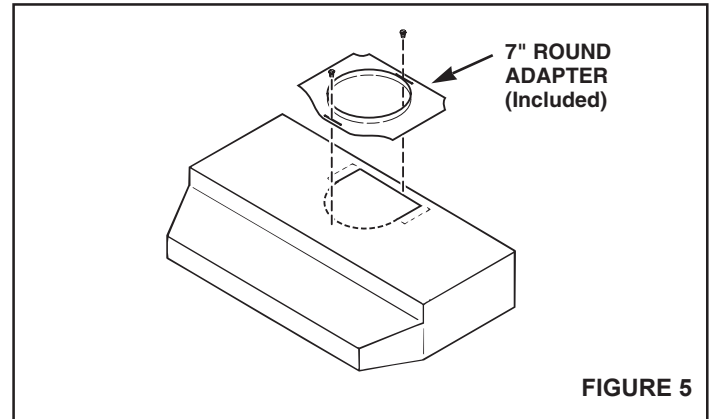


FIGURE 5

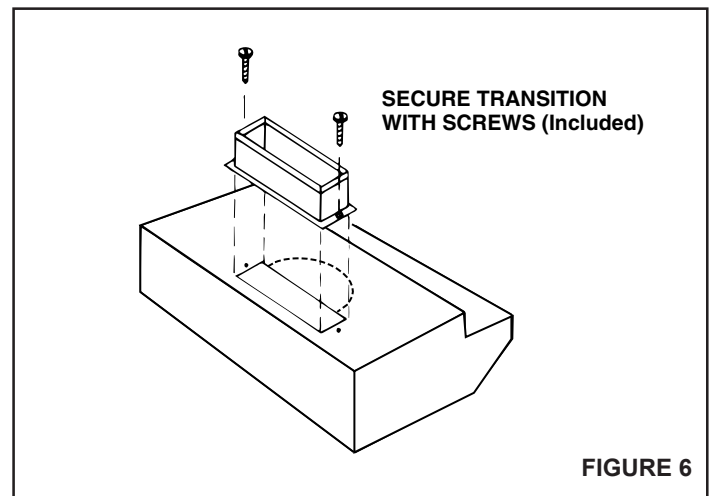


FIGURE 6

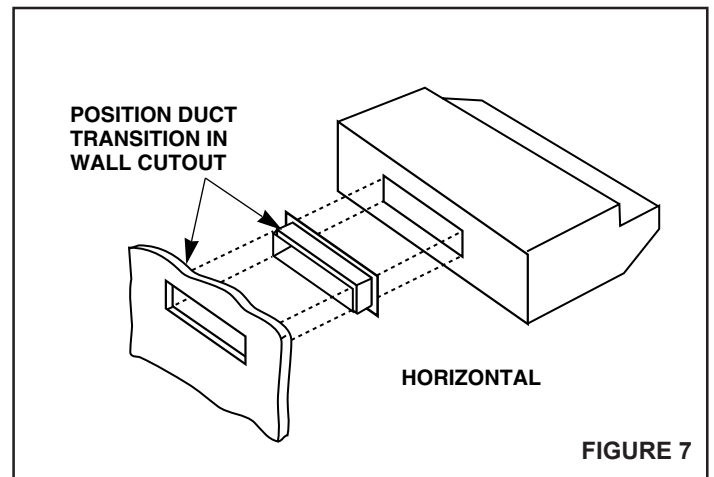


FIGURE 7

WIRING CONNECTIONS

All wiring connections must comply with local codes and the unit must be properly grounded.

1. Make sure box connector is secure.
2. **Refer to FIGURE 8.** Make wiring connections.
3. Replace electrical box cover and secure with screw.

LAMP INSTALLING OR REPLACEMENT

1. Depress sides of light diffuser until tabs of diffuser disengage from slots in hood. Remove diffuser.
2. Install (2) 40 watt maximum, Type A-15 appliance bulbs.
3. Replace difuser in hood by depressing sides and engaging tabs in slots in hood.

FILTER INSTALLATION AND REPLACEMENT

1. For ducted operation, install the aluminum mesh filter. For non-duct operation, install the non-ducted filter (Model BPQTF, sold separately).
2. **Refer to FIGURE 9.** The filter slides into channels at the back of the hood, on either side of the fan compartment, and snaps under the spring clips near the front of the fan compartment.

MAINTENANCE

FILTERS

IMPORTANT: The aluminum filter should be removed once monthly and washed in hot detergent water. Rinse in clear, warm water and shake off excess moisture before replacing. The filter may also be cleaned in your dishwasher.

IN A NON-DUCTED INSTALLATION: Replace filter every 3-6 months as needed.

CLEANING

The hood should be wiped off occasionally both inside and outside using warm water, mild dish detergent and a soft cloth. Never use scouring powders, steel wool pads or any other abrasive cleaners which will destroy the hood's finish.

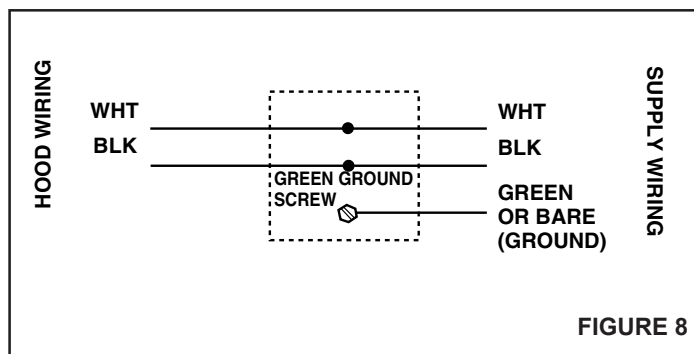


FIGURE 8

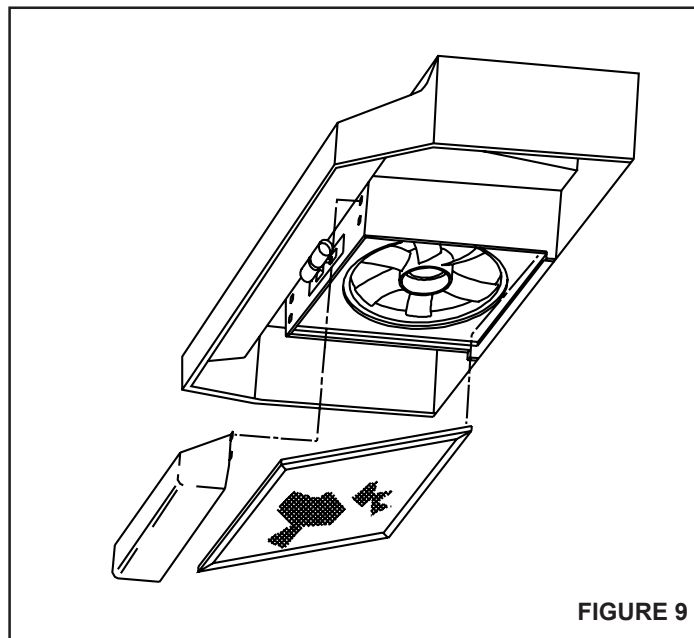
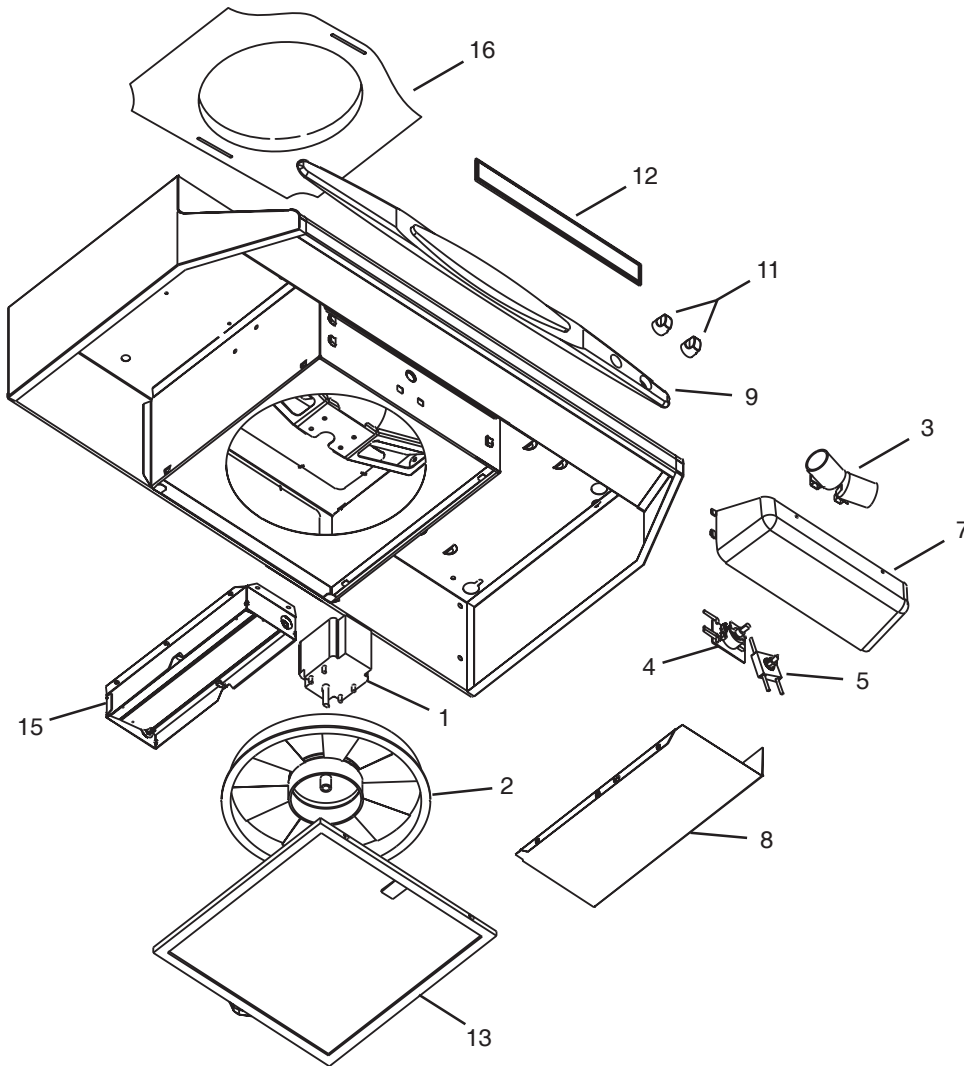


FIGURE 9

SERVICE PARTS



KEY NO.	PART NO.	DESCRIPTION
1	99080532	Motor
2	R531076	Fan Blade
*	R99420635	External Hitch Pin (Hairpin)
3	99271236	Lamp Socket (2 Required)
4	R99030319	Fan Switch Assembly
5	R561138	Light Switch
*	NTK4402-000	Rectifier Assembly (Night-Light)
7	97015294	Light Lens Assembly
8	98009816	Wiring Cover
9	R99091033	Grille (Black)
	R99091034	Grille (White)
	R99091036	Grille (Almond)
	R99091035	Grille (Biscuit)
11	R99360246	Knob (Black)
	R99360244	Knob (White)
	R99360245	Knob (Almond)
	R99360247	Knob (Biscuit)
12	R99091071	Baffle (Black)
	R99091072	Baffle (White)
	R99091074	Baffle (Almond)
	R99091073	Baffle (Biscuit)
13	99010316	Aluminum Filter
	99010317	Non-Ducted Filter (Purchased separately)
15	97005544	3¼" x 10" Damper Assembly
16	R680508	7" Round Duct Plate

Order replacement parts by PART NO. - not by KEY NO.

* Not illustrated

WARRANTY

BROAN-NUTONE LLC ONE YEAR LIMITED WARRANTY

Broan-NuTone LLC warrants to the original consumer purchaser of its products that such products will be free from defects in materials or workmanship for a period of one year from the date of original purchase. THERE ARE NO OTHER WARRANTIES, EXPRESS OR IMPLIED, INCLUDING, BUT NOT LIMITED TO, IMPLIED WARRANTIES OF MERCHANTABILITY OR FITNESS FOR A PARTICULAR PURPOSE.

During this one-year period, Broan-NuTone LLC will, at its option, repair or replace, without charge, any product or part which is found to be defective under normal use and service.

THIS WARRANTY DOES NOT EXTEND TO FLUORESCENT LAMP STARTERS AND TUBES. This warranty does not cover (a) normal maintenance and service or (b) any products or parts which have been subject to misuse, negligence, accident, improper maintenance or repair (other than by Broan-NuTone LLC), faulty installation or installation contrary to recommended installation instructions.

The duration of any implied warranty is limited to the one-year period as specified for the express warranty. Some states do not allow limitation on how long an implied warranty lasts, so the above limitation may not apply to you.

BROAN-NUTONE LLC'S OBLIGATION TO REPAIR OR REPLACE, AT BROAN-NUTONE LLC'S OPTION, SHALL BE THE PURCHASER'S SOLE AND EXCLUSIVE REMEDY UNDER THIS WARRANTY. BROAN-NUTONE LLC SHALL NOT BE LIABLE FOR INCIDENTAL, CONSEQUENTIAL OR SPECIAL DAMAGES ARISING OUT OF OR IN CONNECTION WITH PRODUCT USE OR PERFORMANCE. Some states do not allow the exclusion or limitation of incidental or consequential damages, so the above limitation or exclusion may not apply to you.

This warranty gives you specific legal rights, and you may also have other rights, which vary from state to state. This warranty supersedes all prior warranties.

To qualify for warranty service, you must (a) notify the company at the address or phone number below (b) give the model number and part identification and (c) describe the nature of any defect in the product or part. At the time of requesting warranty service, you must present evidence of the original purchase date.

In the U.S. contact:

Broan-NuTone LLC, 926 West State Street, Hartford, WI 53027 (1-800-637-1453)