

This Owner's Manual is provided and hosted by [Appliance Factory Parts](#).



BROAN 433604 Owner's Manual

[Shop genuine replacement parts for BROAN 433604](#)



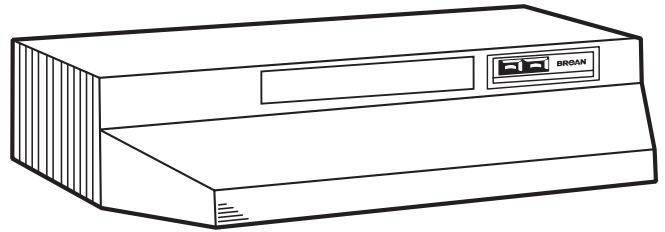
[Find Your BROAN HVAC Parts - Select From 1309 Models](#)

----- Manual continues below -----



43000 SERIES RANGE HOOD

To register this
product visit
www.broan.com



READ AND SAVE THESE INSTRUCTIONS

! INTENDED FOR DOMESTIC COOKING ONLY !

WARNING

TO REDUCE THE RISK OF FIRE, ELECTRIC SHOCK, OR INJURY TO PERSONS, OBSERVE THE FOLLOWING:

1. Use this unit only in the manner intended by the manufacturer. If you have questions, contact the manufacturer at the address or telephone number listed in the warranty.
2. Before servicing or cleaning unit, switch power off at service panel and lock service panel to prevent power from being switched on accidentally. When the service disconnecting means cannot be locked, securely fasten a prominent warning device, such as a tag, to the service panel.
3. Installation work and electrical wiring must be done by a qualified person(s) in accordance with all applicable codes and standards.
4. Sufficient air is needed for proper combustion and exhausting of gases through the flue (chimney) of fuel burning equipment to prevent backdrafting. Follow the heating equipment manufacturer's guideline and safety standards such as those published by the National Fire Protection Association (NFPA), and the American Society for Heating, Refrigeration and Air Conditioning Engineers (ASHRAE), and the local code authorities.
5. When cutting or drilling into wall or ceiling, do not damage electrical wiring and other hidden utilities.
6. Ducted fans must always be vented to the outdoors.
7. Do not use this unit with any solid-state speed control device.
8. To reduce the risk of fire, use only metal ductwork.
9. Use with approved cord-connection kit only.
10. This unit must be grounded.

TO REDUCE THE RISK OF A RANGE TOP GREASE FIRE:

1. Never leave surface units unattended at high settings. Boilovers cause smoking and greasy spillovers that may ignite. Heat oils slowly on low or medium settings.
2. Always turn hood ON when cooking at high heat or when cooking flaming foods.
3. Clean ventilating fans frequently. Grease should not be allowed to accumulate on fan or filter.
4. Use proper pan size. Always use cookware appropriate for the size of the surface element.

TO REDUCE THE RISK OF INJURY TO PERSONS IN THE EVENT OF A RANGE TOP GREASE FIRE, OBSERVE THE FOLLOWING:*

1. SMOTHER FLAMES with a close-fitting lid, cookie sheet, or metal tray, then turn off the burner. **BE CAREFUL TO PREVENT BURNS.** If the flames do not go out immediately, **EVACUATE AND CALL THE FIRE DEPARTMENT.**
2. **NEVER PICK UP A FLAMING PAN** - You may be burned.
3. **DO NOT USE WATER**, including wet dishcloths or towels - a violent steam explosion will result.
4. Use an extinguisher **ONLY** if:
 - A. You know you have a Class ABC extinguisher and you already know how to operate it.
 - B. The fire is small and contained in the area where it started.
 - C. The fire department is being called.
 - D. You can fight the fire with your back to an exit.

*Based on "Kitchen Firesafety Tips" published by NFPA.

CAUTION

1. For general ventilating use only. Do not use to exhaust hazardous or explosive materials and vapors.
2. To avoid motor bearing damage and noisy and/or unbalanced impellers, keep drywall spray, construction dust, etc. off power unit.
3. For best capture of cooking impurities, your range hood should be mounted 18-25" above the cooking surface.
4. Please read specification label on product for further information and requirements.

IMPORTANT: OBSERVE ALL GOVERNING CODES AND ORDINANCES

Your range hood has been designed to filter out smoke, odors, and grease which rise from the cooking surface. Before you begin the installation be sure that all parts and accessories are removed from carton. For best results and ease in the installation of this range hood, read the instructions sheet to become familiar with the step-by-step installation.

TOOLS AND MATERIALS REQUIRED

- Drill, electric or ratchet drive
- 1/8" drill bit for drilling pilot holes
- 1-1/4" wood bit for drilling electrical wiring access hole
- One common head screwdriver for securing hood mounting screws to the cabinet and hood sheet metal parts
- Pliers for opening knockouts
- Pencil, rule and level for marking cabinet locations
- Saber saw or keyhole saw for cutting the wall or cabinet openings
- Metal snips, duct tape, duct (with elbows and transition, if necessary), roof cement or caulk, and roof or wall cap, as required
- Electrical wiring and supplies of type to comply with local codes

The following materials are required only for installation on recessed bottom kitchen cabinets:

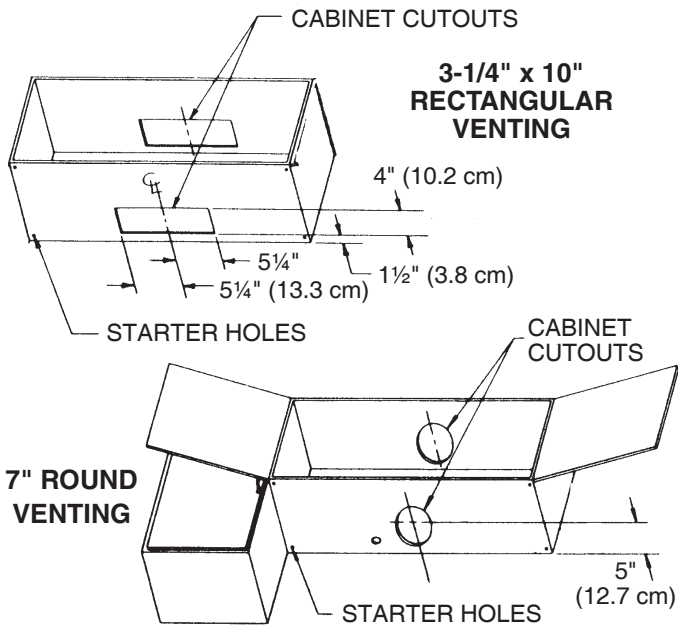
- Two 1" x 2" x 12" (approximate length) wood strips (purchase locally)
- Four 1-1/4" long flat head wood screws (purchase locally)

INSTALLER:

LEAVE THIS MANUAL WITH THE HOMEOWNER.

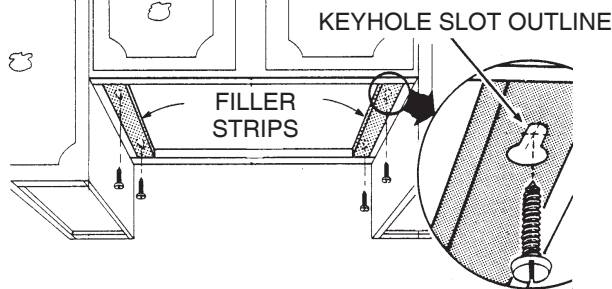
HOMEOWNER:

USE AND CARE INSTRUCTIONS ON PAGE 4.



WARNING: WHEN CUTTING OR DRILLING INTO WALL OR CABINET, BE CAREFUL NOT TO CUT EXISTING ELECTRICAL WIRING.

3. Drill 1-1/4" electrical wiring opening in wall or cabinet bottom.
4. Drill four pilot holes in corners of marked duct opening and cut opening with saber or keyhole saw (vented hoods **only**).
5. Hold hood up against cabinet bottom and trace keyhole slots onto cabinet bottom or filler strips.



6. Screw the four supplied screws for mounting the hood into the exact center of the narrow end of the keyhole slots marked underneath the cabinet. Allow 3/8" of the screws to project, so the hood can be fitted into place.

INSTALLING THE DUCTWORK

THESE INSTRUCTIONS ARE FOR VENTED HOODS ONLY. NON-VENTED HOODS SKIP THIS SECTION AND GO ON TO "INSTALLING THE RANGE HOOD".

START AT THE EXTERIOR AND RUN DUCTWORK BACK TO THE RANGE HOOD.

FOR BEST PERFORMANCE OF YOUR RANGE HOOD, USE THE SHORTEST POSSIBLE DUCT RUN AND A MINIMUM NUMBER OF ELBOWS.

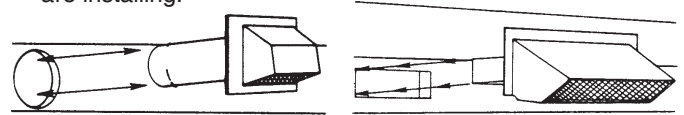
NEVER VENT A RANGE HOOD INTO AN ATTIC SPACE BECAUSE A BUILDUP OF GREASE WILL BECOME A FIRE HAZARD.

USE ONLY METAL DUCTWORK (DO NOT USE PLASTIC DUCT). ASSEMBLE SECURELY SO THAT IN CASE OF A GREASE FIRE ON THE RANGE, THE FIRE WILL BE CONTAINED INSIDE METAL DUCTWORK.

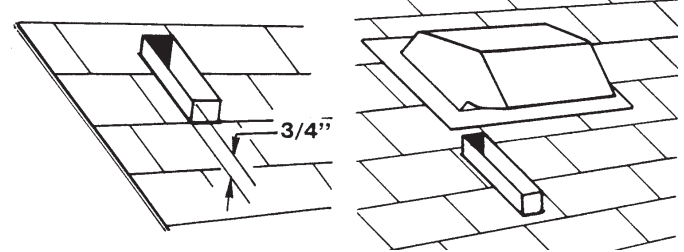
IT IS A GOOD PRACTICE TO TAPE ALL DUCT CONNECTIONS,

MAKING THEM BOTH SECURE AND AIR TIGHT.

1. Follow appropriate directions below for type of ductwork you are installing.



Wall Cap Discharge: Use saber saw or keyhole saw to cut hole slightly larger than duct size used so that duct will line up easily with damper/duct connector on hood. Install casing strips if cap will be installed on siding. Attach required amount of duct to wall cap and run duct back to hood. Fasten cap to wall and caulk well. Make sure that enough duct runs into the room so that the duct will overlap the damper/duct connector when the hood is installed.



Roof Cap Discharge: Cut a hole in roof slightly larger than duct size being used. Trim shingles around hole so that they will fit snugly around hood of cap when cap is installed. Assemble the ductwork and tape all joints. Run ductwork down to hood location. Make sure that enough duct runs into the room so that the duct will overlap damper/duct connector when hood is put into place. Leave 3/4" of duct projecting above roof surface on high side.

Trim duct parallel to roof pitch and seal all around duct with roof cement.

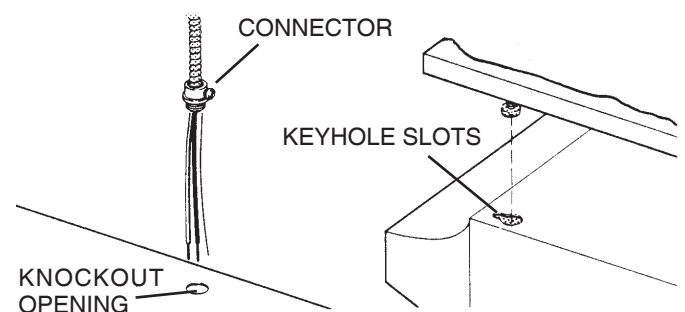
Carefully trim shingles and slide back of roof sheet under shingles. Nail roof sheet to roof under shingles at top two corners and two sides. Nail sheet directly to roof in four places at bottom.

Using roof cement, seal all nail heads and shingles which were cut or lifted. Do not seal bottom edge of roof sheet.

INSTALLING RANGE HOOD

WARNING: TURN OFF THE PROPER CIRCUIT AT THE SERVICE ENTRANCE BEFORE WIRING THIS RANGE HOOD.

1. Check baffle for correct venting. (Non-vented or outside vented)



2. Run electric wiring through hole drilled in wall or cabinet. Split wiring for 6" and install proper connector for type of wire used.
3. Position hood so that:
 - a.) Wiring is routed through knockout opening.
 - b.) Large part of keyhole slots fit over hood mounting screws.
 - c.) Damper/duct connector slides into ductwork (3-1/4" x 10" vented hoods **only**)
4. Adjust hood so that hood front is flush with cabinet frame.
5. Tighten hood mounting screws firmly.

WARNING: ALL ELECTRICAL CONNECTIONS MUST BE MADE IN ACCORDANCE WITH LOCAL CODES, ORDINANCES, OR NATIONAL ELECTRICAL CODE. IF YOU ARE UNFAMILIAR WITH METHODS OF INSTALLING ELECTRICAL WIRING, SECURE THE SERVICES OF A QUALIFIED ELECTRICIAN.

- Complete electrical wiring in junction box following required codes and replace junction box. Make sure that all wiring is safely contained inside.
- Install light bulb (75 Watt maximum).
- If the hood is vented, remove charcoal pad from filter. Install filter.
- Turn on power and check operation of fan and light. Make sure that damper operates freely.

USE AND CARE

ALUMINUM FILTER

For greatest efficiency, the permanent-type aluminum filter should be removed and cleaned periodically. To clean, the filter should be soaked in hot water and detergent and thoroughly rinsed. The aluminum filter can be cleaned in a dishwasher.

COMBINATION FILTER

This filter should be inspected periodically and when it becomes saturated, it should be replaced. There are no effective means of reactivating this filter.

LIGHTS

Do not use bulb larger than 75 Watts in light socket.

CARE OF EXTERIOR SURFACES

Clean your hood with a mild detergent suitable for painted surfaces. **DO NOT USE ABRASIVE CLOTH, STEEL WOOL PADS OR SCOURING POWDERS.**

WARNING: ALWAYS DISCONNECT ELECTRIC POWER BEFORE SERVICING RANGE HOOD.

CARE OF FAN MOTOR

Fan motor has lifetime sealed bearings that never need oiling under normal usage. A few drops on each bearing after three years of heavy usage will prolong the motor life. Clean motor with a damp cloth and grease-cutting detergent when a heavy coating of grease has accumulated.

HOW TO AVOID A COMMON RANGE-TOP GREASE FIRE

Your range hood provides a protective barrier between the cooking surface and the cabinets.

Keep fan, filters, and grease-laden surfaces **CLEAN** according to the instructions.

Always turn hood **ON** when cooking at high heat to keep the cooking area and the hood cooler.

Use high heat settings only when necessary.

Never leave cooking surface unattended. Boil-over causes smoking and greasy spillovers that may ignite.

Always use adequate-sized utensils.

If preparing flaming foods, such as Cherries Jubilee, always turn hood **ON** to **HIGH** to prevent a high heat situation which can cause damage or fire.

HOW TO EXTINGUISH A COMMON RANGE-TOP GREASE FIRE

Never pick up a flaming pan. If dropped flames can spread quickly.

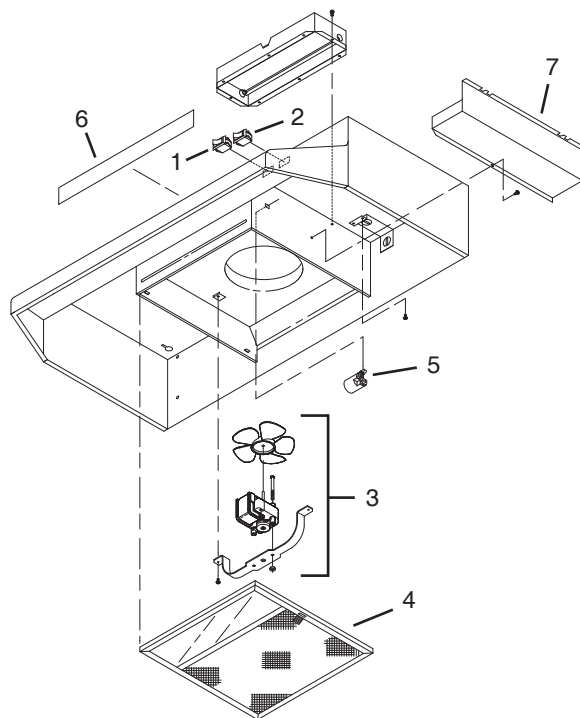
DO NOT USE WATER! A violent steam explosion may result. Wet dishcloths or towels are also dangerous.

Smother flames with a close-fitting lid, cookie sheet or metal tray.

Flaming grease can also be extinguished with baking soda or a multi-purpose dry chemical extinguisher.

Turn off surface units – if you can do so without getting burned.

REPLACEMENT PARTS



| Key No. | Part No. | Description |
|---------|----------|--|
| 1 | 97016971 | Fan Switch – White (Includes Light Switch) |
| | 97016972 | Fan Switch – Almond (Includes Light Switch) |
| | 97016970 | Fan Switch – Black (Includes Light Switch) |
| | 97016973 | Fan Switch – Biscuit (Includes Light Switch) |
| 2 | 97016971 | Light Switch – White (Includes Fan Switch) |
| | 97016972 | Light Switch – Almond (Includes Fan Switch) |
| | 97016970 | Light Switch – Black (Includes Fan Switch) |
| | 97016973 | Light Switch – Biscuit (Includes Fan Switch) |
| 3 | R730088 | Motor/Blade Assembly |
| 4 | R610045 | Filter - Aluminum (use with ducted hoods only) |
| | * | R610050 |
| * | R610051 | Filter Pads – Ductless |
| 5 | R566088 | Lampholder |
| 6 | 99091020 | Vent Cover - White |
| | 99091021 | Vent Cover - Almond |
| | 99091022 | Vent Cover - Black |
| | 99091027 | Vent Cover - Biscuit |
| | R6689601 | Wiring Cover - White |
| 7 | R6689602 | Wiring Cover - Almond |
| | R6689604 | Wiring Cover - Black |
| | R6689605 | Wiring Cover - Biscuit |

* Not shown. Purchase separately.

WARRANTY

Broan-NuTone One Year Limited Warranty

Broan-NuTone warrants to the original consumer purchaser of its products that such products will be free from defects in materials or workmanship for a period of one year from the date of original purchase. THERE ARE NO OTHER WARRANTIES, EXPRESS OR IMPLIED, INCLUDING, BUT NOT LIMITED TO, IMPLIED WARRANTIES OF MERCHANTABILITY OR FITNESS FOR A PARTICULAR PURPOSE.

During this one-year period, Broan-NuTone will, at its option, repair or replace, without charge, any product or part which is found to be defective under normal use and service.

THIS WARRANTY DOES NOT EXTEND TO FLUORESCENT LAMP STARTERS AND TUBES. This warranty does not cover (a) normal maintenance and service or (b) any products or parts which have been subject to misuse, negligence, accident, improper maintenance or repair (other than by Broan-NuTone), faulty installation or installation contrary to recommended installation instructions.

The duration of any implied warranty is limited to the one-year period as specified for the express warranty. Some states do not allow limitation on how long an implied warranty lasts, so the above limitation may not apply to you. BROAN-NUTONE'S OBLIGATION TO REPAIR OR REPLACE, AT BROAN-NUTONE'S OPTION, SHALL BE THE PURCHASER'S SOLE AND EXCLUSIVE REMEDY UNDER THIS WARRANTY. BROAN-NUTONE SHALL NOT BE LIABLE FOR INCIDENTAL, CONSEQUENTIAL OR SPECIAL DAMAGES ARISING OUT OF OR IN CONNECTION WITH PRODUCT USE OR PERFORMANCE. Some states do not allow the exclusion or limitation of incidental or consequential damages, so the above limitation or exclusion may not apply to you. This warranty gives you specific legal rights, and you may also have other rights, which vary from state to state. This warranty supersedes all prior warranties.

To qualify for warranty service, you must (a) notify Broan-NuTone at the address stated below or telephone: 1-800-637-1453, (b) give the model number and part identification and (c) describe the nature of any defect in the product or part. At the time of requesting warranty service, you must present evidence of the original purchase date. Broan-NuTone LLC Hartford, Wisconsin www.broan.com 800-558-1711