

This Owner's Manual is provided and hosted by [Appliance Factory Parts](#).



BROAN QL130WW Owner's Manual

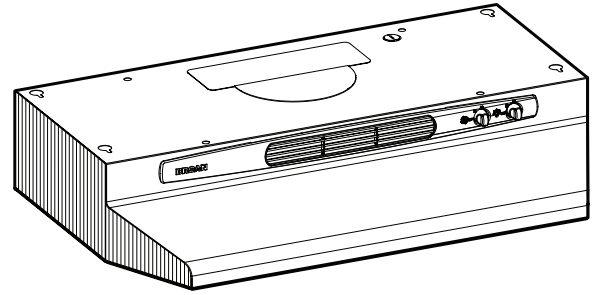
[Shop genuine replacement parts for BROAN QL130WW](#)



[Find Your BROAN HVAC Parts - Select From 1309 Models](#)

----- Manual continues below -----

QL1 SERIES 4-WAY CONVERTIBLE RANGE HOOD



Deluxe features in our smaller shell - offers the most hood for the money.

FEATURES

- 2-speed fan control
- Polymeric blade and light lens (accepts two 60W bulbs)
- Washable aluminum filter
- Converts to non-ducted by removing cover plate from control panel and installing the non-ducted filter BPQTF (purchase separately)
- 3¼" x 10" damper/duct connector included
- 7" round duct adapter plate included
- Mitered sides and hemmed bottom for safety, cleanability and good looks
- Contemporary styling in White and Biscuit
- Available in 30" width only

SPECIFICATIONS

VOLTS	AMPS	CFM		SONES		DUCT
		HIGH	NORMAL	HIGH	NORMAL	
120	1.9	190	100	6.0	2.0	3¼" X 10" (H)
120	1.9	190	130	6.0	2.0	3¼" X 10" (V)
120	1.9	230	150	6.0	2.0	7" Round (V)
120	1.9	--	--	--	--	Non-Ducted



HVI-2100 CERTIFIED RATINGS comply with new testing technologies and procedures prescribed by the Home Ventilating Institute, for off-the-shelf products, as they are available to consumers. Product performance is rated at 0.1 in. static pressure, based on tests conducted in a state-of-the-art test laboratory. Sones are a measure of humanly-perceived loudness, based on laboratory measurements.

TYPICAL SPECIFICATION

Range hood shall be Broan QL1 Series.

Unit shall be convertible between ducted (using a washable aluminum filter) and non-ducted (using non-ducted filter BPQTF).

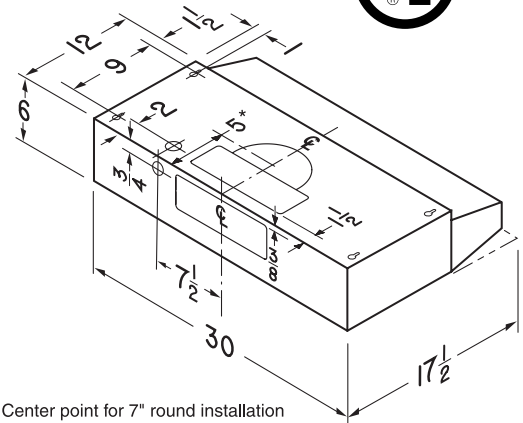
Motor to be permanently lubricated.

Unit shall have a 2-speed fan control with separate 2-level light switch.

Sides shall be mitered and bottom edge hemmed with no sharp edges.

Air delivery shall be no less and sound levels no greater than shown. All air and sound ratings shall be certified by HVI.

Unit shall be U.L. listed.



* Center point for 7" round installation

Broan-NuTone LLC Hartford, Wisconsin www.broan.com 800-558-1711

REFERENCE	QTY.	REMARKS	Project
			Location
			Architect
			Engineer
			Contractor
			Submitted by
			Date