

This Owner's Manual is provided and hosted by [Appliance Factory Parts](#).



# BROAN QDE30WW Owner's Manual

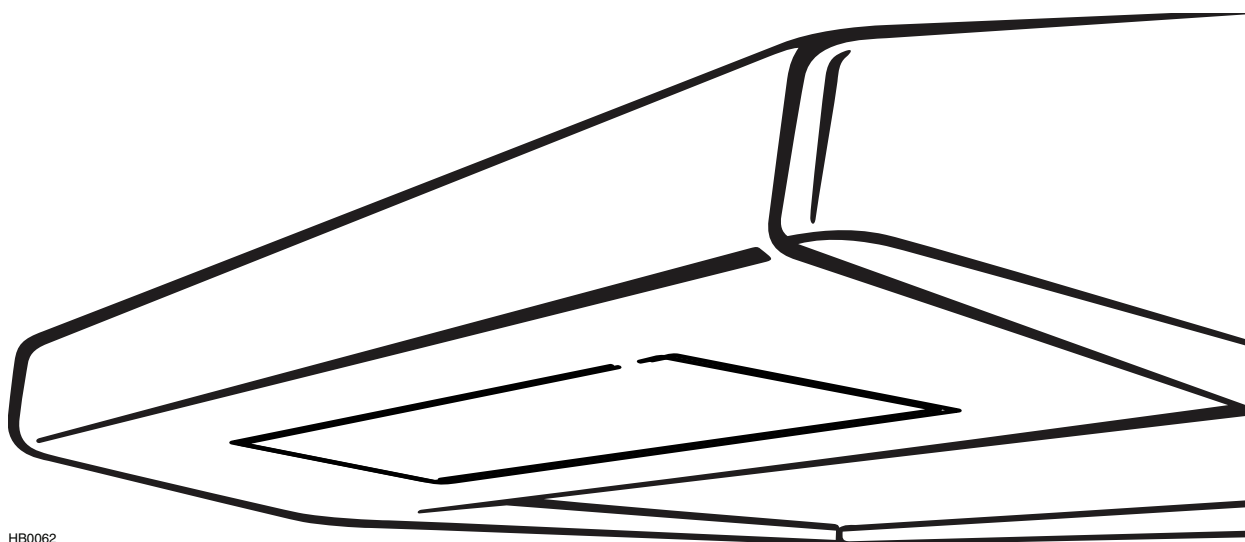
[Shop genuine replacement parts for BROAN  
QDE30WW](#)



[Find Your BROAN HVAC Parts - Select From 1309 Models](#)

----- Manual continues below -----

# RANGE HOOD INSTALLATION INSTRUCTIONS - USE AND CARE



HB0062

**MODELS ESB10, ESN10, ESV10, QDE, AND ESC270**

**⚠ INTENDED FOR DOMESTIC COOKING ONLY ⚠**

**READ AND SAVE THESE INSTRUCTIONS**

INSTALLER: LEAVE THIS MANUAL WITH HOMEOWNER.  
HOMEOWNER: CLEANING AND OPERATION INFORMATION  
ON PAGES 9 AND 10.

REGISTER YOUR PRODUCT ON LINE AT: [www.venmar.ca](http://www.venmar.ca)



SV06727 rev. C

## **WARNING**

---

### **TO REDUCE THE RISK OF FIRE, ELECTRIC SHOCK OR INJURY TO PERSONS, OBSERVE THE FOLLOWING:**

1. Use this unit only in the manner intended by the manufacturer. If you have questions, contact the manufacturer at the address or telephone number listed in the warranty.
2. Before servicing or cleaning unit, switch power off at service panel and lock service disconnecting means to prevent power from being switched on accidentally. When the service disconnecting means cannot be locked, securely fasten a prominent warning device, such as a tag, to the service panel.
3. Installation work and electrical wiring must be done by qualified personnel in accordance with all applicable codes and standards, including fire-rated construction codes and standards.
4. Sufficient air is needed for proper combustion and exhausting of gases through the flue (chimney) of fuel burning equipment to prevent backdrafting. Follow the heating equipment manufacturer's guidelines and safety standards such as those published by the National Fire Protection Association (NFPA), and the American Society for Heating, Refrigeration and Air Conditioning Engineers (ASHRAE), and the local code authorities.
5. When cutting or drilling into wall or ceiling, do not damage electrical wiring and other hidden utilities.
6. Ducted fans must always be vented to the outdoors.
7. Do not use this unit with any solid-state speed control device.
8. To reduce the risk of fire, use only metal ductwork.
9. This unit must be grounded.
10. When applicable local regulations comprise more restrictive installation and/or certification requirements, the aforementioned requirements prevail on those of this document and the installer agrees to conform to these at his own expenses.

### **TO REDUCE THE RISK OF A RANGE TOP GREASE FIRE:**

- a) Never leave surface units unattended at high settings. Boilovers cause smoking and greasy spillovers that may ignite. Heat oils slowly on low or medium settings.
- b) Always turn hood ON when cooking at high heat or when cooking flambeing foods (e.g.: crêpes Suzette, cherries jubilee, peppercorn beef flambé).
- c) Clean ventilating fans frequently. Grease should not be allowed to accumulate on fan or filter.
- d) Use proper pan size. Always use cookware appropriate for the size of the surface element.

## **WARNING**

---

### **TO REDUCE THE RISK OF INJURY TO PERSONS IN THE EVENT OF A RANGE TOP GREASE FIRE, OBSERVE THE FOLLOWING\*:**

1. SMOTHER FLAMES with a close-fitting lid, cookie sheet or metal tray, then turn off the burner. BE CAREFUL TO PREVENT BURNS. IF THE FLAMES DO NOT GO OUT IMMEDIATELY, EVACUATE AND CALL THE FIRE DEPARTMENT.
2. NEVER PICK UP A FLAMING PAN – You may be burned.
3. DO NOT USE WATER, including wet dishcloths or towels – This could cause a violent steam explosion.
4. Use an extinguisher ONLY if:
  - A. You own a Class ABC extinguisher and you know how to operate it.
  - B. The fire is small and contained in the area where it started.
  - C. The fire department has been called.
  - D. You can fight the fire with your back to an exit.

\*Based on "Kitchen Fire Safety Tips" published by NFPA.

## **CAUTION**

---

1. For indoor use only.
2. For general ventilating use only. Do not use to exhaust hazardous or explosive materials and vapors.
3. To avoid motor bearing damage and noisy and/or unbalanced impeller, keep drywall spray, construction dust, etc. off power unit.
4. Your hood motor has a thermal overload which will automatically shut off the motor if it becomes overheated. The motor will restart when it will cool down. If the motor continues to shut off and restart, have the hood serviced.
5. The minimum hood distance above cooktop must not be less than 20" for an electric range, and 24" for a gas range. A maximum of 30" above cooktop is highly recommended for best capture of cooking impurities.
6. Two installers are recommended because of the large size and weight of this hood.
7. To reduce the risk of fire and to properly exhaust air, be sure to duct air outside – Do not exhaust air into spaces within walls or ceiling or into attics, crawl space or garage.
8. Because of the high exhausting capacity of this hood, you should make sure enough air is entering the house to replace exhausted air by opening a window close to or in the kitchen.
9. Use with approved cord-connection kit only.
10. Please read specification label on product for further information and requirements.
11. All demonstrator range hoods (model numbers ending by D) are not for sale, unless their original power cord is removed.

## ABOUT THIS MANUAL

---

Please take note this manual uses the following symbols to emphasize particular information:

**⚠ WARNING**

**Identifies an instruction which, if not followed, might cause serious personal injuries including possibility of death.**

**CAUTION**

**Denotes an instruction which, if not followed, may severely damage the unit and/or its components.**

NOTE: Indicates supplementary information needed to fully complete an instruction.

NOTE: Because this publication covers many hood models, the illustrations are typical ones. Some details of your unit may be slightly different of the ones shown.

## TOOLS NEEDED TO INSTALL THE RANGE HOOD

---

- Phillips screwdriver no. 2 or Robertson no. 1 and no. 2
- Pair of long nose pliers (to open the horizontal or vertical discharge knockout hole)
- Hammer and flat blade screwdriver (to open the electrical knockout hole)
- Sheet metal sheers
- Pair of pliers
- Scissors (to cut duct tape)
- Pen
- Wire stripper

## TABLE OF CONTENTS

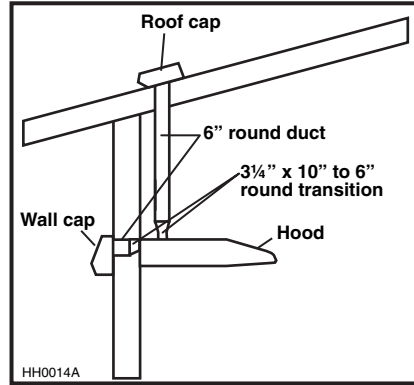
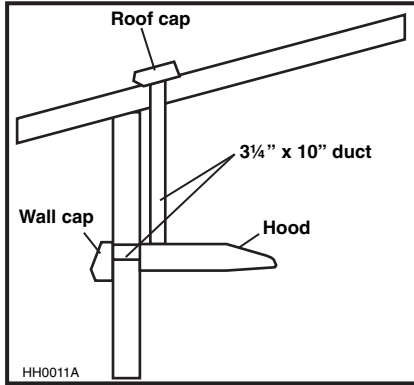
---

1. INSTALL DUCTWORK . . . . .	4
2. MEASURE THE INSTALLATION . . . . .	4
3. PREPARE THE INSTALLATION . . . . .	5
4. PREPARE THE HOOD . . . . .	5-6
5. INSTALL THE ADAPTER/DAMPER . . . . .	6-7
6. INSTALL THE HOOD . . . . .	7
7. CONNECT WIRING . . . . .	7
8. REINSTALL BOTTOM PANEL AND FILTERS . . . . .	8
9. FLUORESCENT LAMPS . . . . .	8
10. CLEANING . . . . .	9
11. OPERATION . . . . .	10
12. SERVICE PARTS . . . . .	11-12

# 1. INSTALL DUCTWORK

Plan where and how the ductwork will be installed.

Install proper-sized ductwork, elbow(s) and roof or wall cap for the type of blower you are installing. If using 6" (150 mm) round ducts, use a transition. Use 2" (50 mm) duct tape to seal duct joints.

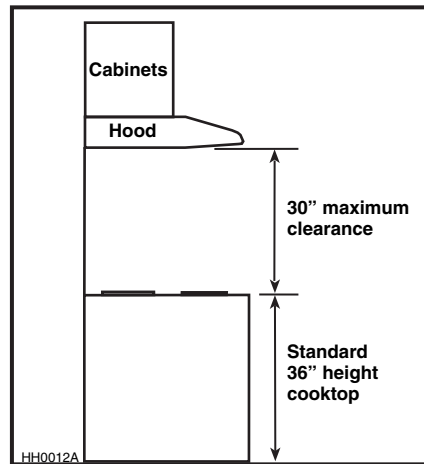
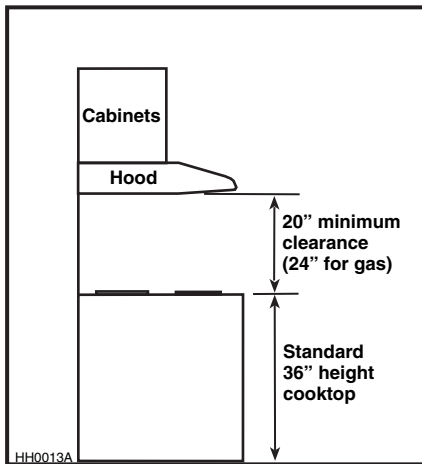


# 2. MEASURE THE INSTALLATION

Dimensions for the most common installations are shown below.

**We recommend to install the hood at a minimum of 20" (508 mm) from an electric range and at 24" (610 mm) from a gas range.**

For optimal performance, the hood should not be installed more than 30" (762 mm) from cooktop.



### 3. PREPARE THE INSTALLATION

Make sure the following items are included:

- Hood
- Filters (2)
- Adapter/damper assembly 3¼" x 10" (located inside the hood, under the bottom panel)
- Compact fluorescent lamps (120 V, 13 W, PLC13, 2700 K with G24q-1 base) (packed behind the light diffuser)
- Bag of parts (located inside the hood, under the bottom panel) including:  
 (1) wire clamp, (5) no. 8 x 1/2" double thread screws, (2) wire connectors and (6) no. 6 x 1/2" screws

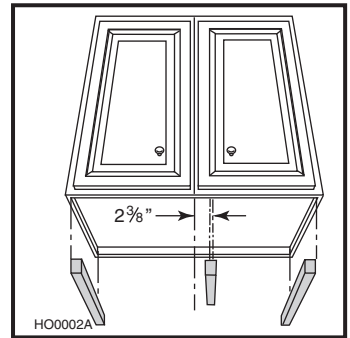
Part sold separately:

- Transition 3¼"x 10" to 6" round (optional, for 6" round ducts installation only)

#### CAUTION

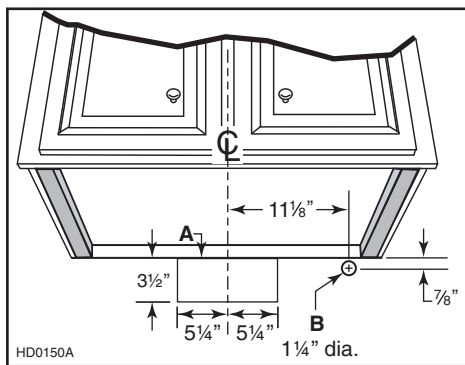
When performing installation, servicing or cleaning the unit, it is recommended to wear safety glasses and gloves.

NOTE: If the bottom of the cupboard is recessed, attach wood strips (not included), as shown beside, in order to properly install the range hood under the cabinet. The wood strips must be as thick as recess.

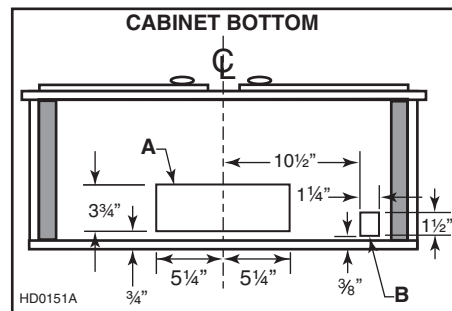


Cut-out the openings for duct (A) and power cable (B), in cabinet or wall, according to the direction of discharge chosen. See figures below.

#### HORIZONTAL DISCHARGE:



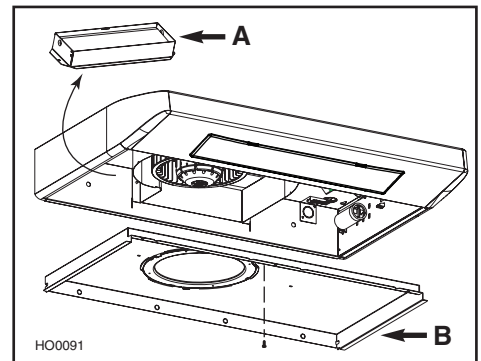
#### VERTICAL DISCHARGE:



### 4. PREPARE THE HOOD

Remove both filters from the hood. Disassemble the adaptor/damper (A) from the hood.

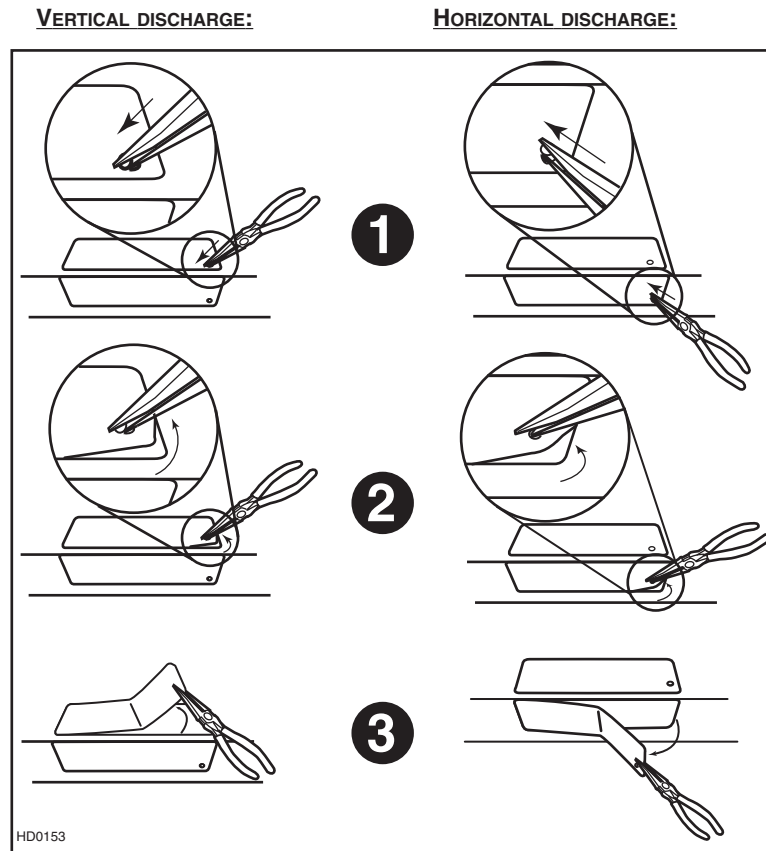
NOTE: The adapter/damper is located inside the hood. Remove the bottom panel (B) to access the adapter/damper. Refer to figure beside.



## 4. PREPARE THE HOOD (CONT'D)

Punch out the appropriate electrical knock-out hole.

Using a long nose pliers, remove the knock-out for the chosen opening (vertical on top or horizontal at the back of the hood). See figures below.

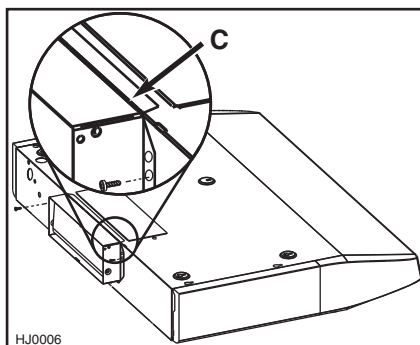


## 5. INSTALL THE ADAPTER/DAMPER

NOTE: If this hood replaces another one, please note that the location of the air exhaust can vary from one manufacturer to another.

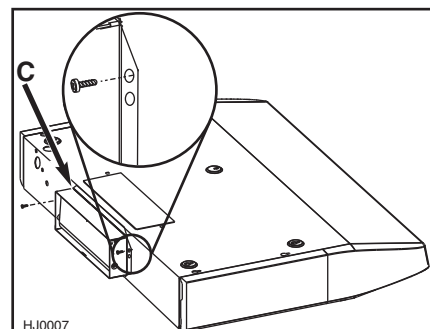
### HORIZONTAL DISCHARGE, NEW INSTALLATION

Fold down the foldable flange (C) of the adapter/damper. This flange must be at 90° from the remaining flanges. Use the lower screw holes on each side of the adapter/damper to assemble it to the back of hood. See below.



### HORIZONTAL DISCHARGE, HOOD REPLACEMENT

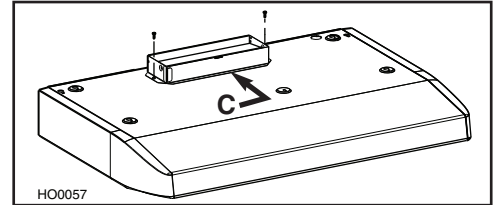
It may be necessary to adjust the adapter/damper location to the existing wall discharge opening. Leave the foldable flange (C) of the adapter/damper as is. Use the upper screw holes on each side of the adapter/damper to assemble it to the back of hood. See below.



## 5. INSTALL THE ADAPTER/DAMPER (CONT'D)

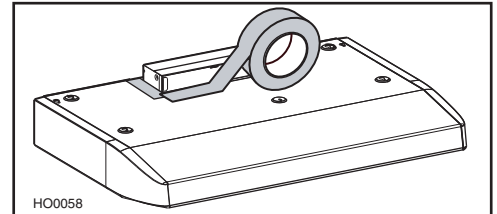
### VERTICAL DISCHARGE

For a **vertical discharge installation only**, leave the foldable flange (C) of the adapter/damper as is. This flange must be located towards the front of the hood. See beside.



### ALL INSTALLATIONS

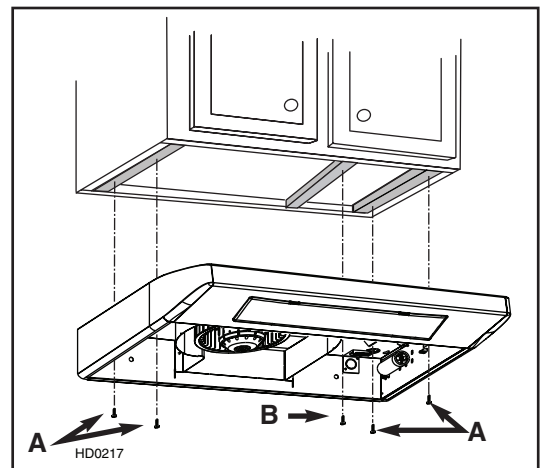
Using two 1/2" screws, secure the adapter/damper to the top or back of the hood. Tape the adapter/damper to the hood using duct tape to seal it.



- NOTES: 1. For the best ventilation performance, if a round duct must be used, the duct diameter must be 6" or more. Use a 3 1/4" x 10" to 6" round transition.  
2. The wall duct must be well prepared to receive the adapter. Before performing the installation, make sure the adapter fits easily in the duct.

## 6. INSTALL THE HOOD

Run power cable to installation location. Place the hood at its location. Using a pen, mark the position of the screws (smaller part of the **embossed** keyholes). Remove the hood and install four 1/2" double thread screws at sides locations (A), leaving a 1/8" gap. Place the wire clamp, insert the cable in the hood and tighten the wire clamp to secure the cable. Place the hood under the cabinet and slide it in position. Make sure the adapter/damper assembly enters the ducting and the damper opens freely. Secure the hood by tightening the screws completely. Install the last 1/2" double thread screw (B) in the remaining embossed hole.



## 7. CONNECT WIRING

### ⚠ WARNING

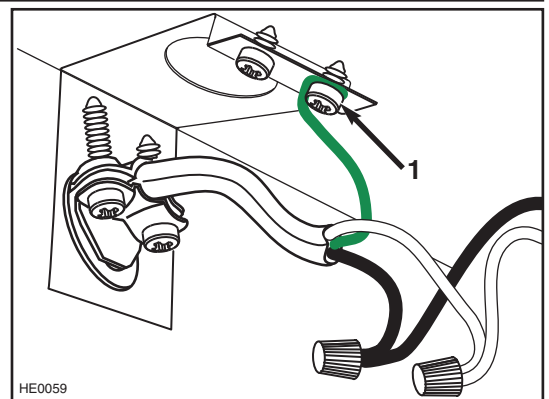
**Risk of electrical shock. Electrical wiring must be done by qualified personnel in accordance with all applicable codes and standards. Before connecting wires, switch power off at service panel and lock service disconnecting means to prevent power to be switched on accidentally.**

Connect cable to range hood wiring using included wire connectors.

Connect BLACK to BLACK, WHITE to WHITE and GREEN or BARE WIRE to GREEN ground screw (1).

### ⚠ WARNING

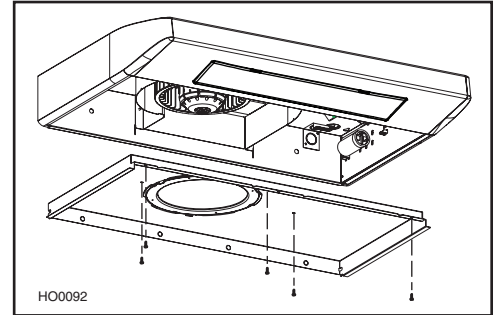
**Do not forget to connect the ground!**



## 8. REINSTALL BOTTOM PANEL AND FILTERS

Reinstall the bottom panel, using the retaining screw previously removed in step 4 plus 4 others from parts bag. Refer to illustration beside.

Then, reinstall filters.



## 9. FLUORESCENT LAMPS

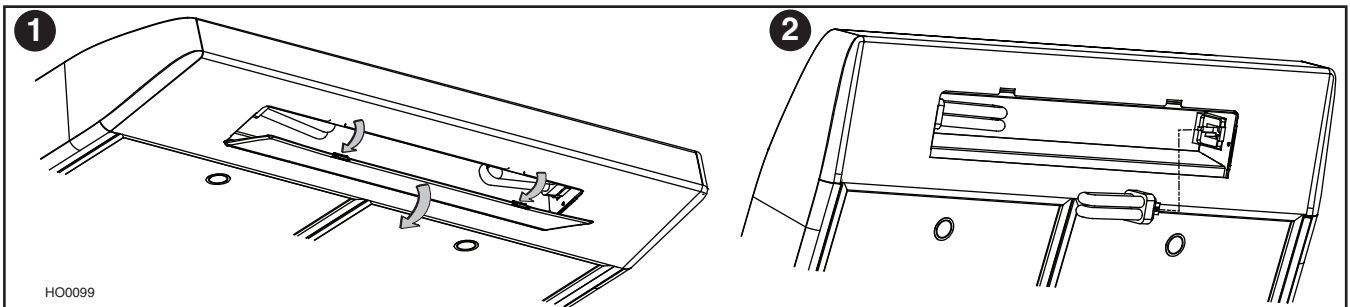
### **⚠ WARNING**

**This hood has fluorescent lamps containing mercury. Dispose of appropriately, according to local laws and requirements.**

This range hood must use compact fluorescent lamps (120 V, 13 W, PLC13, 2700 K with G24q-1 base) (included).

NOTE: The range hood is shipped with both fluorescent lamps packed behind the light diffuser.

1. To access fluorescent lamps, remove the light diffuser by pushing on its both tabs and pulling it down.
2. To install the fluorescent lamps, slide their 4 prongs into their corresponding holes in their socket until secured. Reinstall the light diffuser.



### **⚠ WARNING**

**In order to prevent the risk of personal injury, the fluorescent lamps must be cooled down before removing them.**

To remove fluorescent lamps, remove the light diffuser and pull fluorescent lamps out of their socket.

NOTE: Some fluorescent lamps may produce a yellowish lighting on first usages. This temporary effect will disappear out in time by itself.

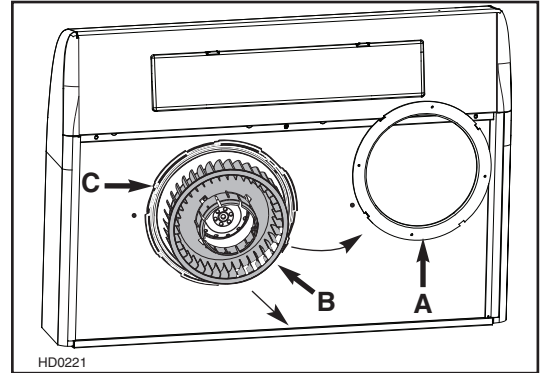
## 10. CLEANING

The grease filters, bottom panel, intake ring (A) and blower wheel (B) should be cleaned frequently. Use a warm detergent solution. The grease filters, intake ring and blower wheel are dishwasher safe.

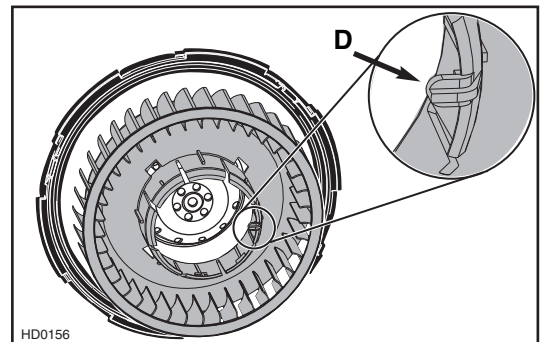
Clean all-metal filters in the dishwasher using a non-phosphate detergent. Discoloration of the filter may occur if using phosphate detergents, or as a result of local water conditions — but this will not affect filter performance. This discoloration is not covered by the warranty.

To remove the blower wheel, first take off its intake ring. Then remove the blower wheel by pulling it down smoothly.

NOTE: Do not try to remove the black part (C) attached to the bottom panel.



When reinstalling the blower wheel, make sure the small tab (D) will fit into one hole of the motor.



### STAINLESS STEEL CLEANING:

#### Do:

- Regularly wash surfaces with clean cloth or rag soaked with warm water and mild soap or liquid dish detergent.
- Always clean in the direction of original polish lines.
- Always rinse well with clear water (2 or 3 times) after cleaning. Wipe completely dry.
- You may also use a specialized household stainless steel cleaner.

#### Don't:

- Use any steel or stainless steel wool or any other scrapers to remove stubborn dirt.
- Use any harsh or abrasive cleansers.
- Allow dirt to accumulate.
- Let plaster dust or any other construction residues reach the hood. During construction or renovation, cover the hood to make sure no dust adheres to stainless steel surface.

### Avoid: when choosing a detergent

- Any cleaners that contain **bleach** will attack stainless steel.
- Any products containing: **chloride, fluoride, iodide, bromide** will deteriorate surfaces rapidly.
- Any **combustible products** used for cleaning such as **acetone, alcohol, ether, benzol**, etc., are highly explosive and should never be used close to a range.

### ENAMEL FINISH:

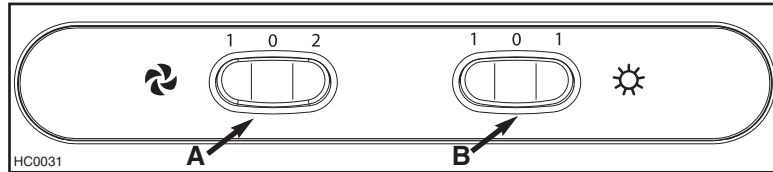
Clean with warm water and mild detergent only. If discoloration occurs, use a good enamel polish such as automotive polish. (DO NOT use rough abrasive cleaner or porcelain cleaner.)

## 11. OPERATION

---

Always turn on the hood before beginning cooking in order to establish an air flow in the kitchen. Let the blower run for a few minutes to clear the air after turning off the range.

### ROCKER SWITCH CONTROL



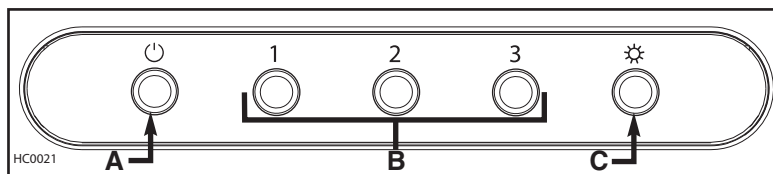
**A. ON/OFF BLOWER AND SPEED CONTROL SWITCH:**

This 3-position rocker switch controls the blower speed. Pressing on left side (1) will result in low speed operation, while pressing on right side (2) will turn on the blower to high speed. To stop the blower operation, set the rocker switch to the central position (0).

**B. ON/OFF LIGHTING CONTROL SWITCH:**

This 3-position rocker switch controls the lighting. Press either on left side (1) or right side (1) to obtain full lighting. To shut off the lights, set the rocker switch to the central position (0).

### MECHANICAL PUSH-BUTTON CONTROL



**A. OFF BLOWER SWITCH:**

Press on this switch to stop the blower operation.

**B. SPEED BLOWER SWITCHES:**

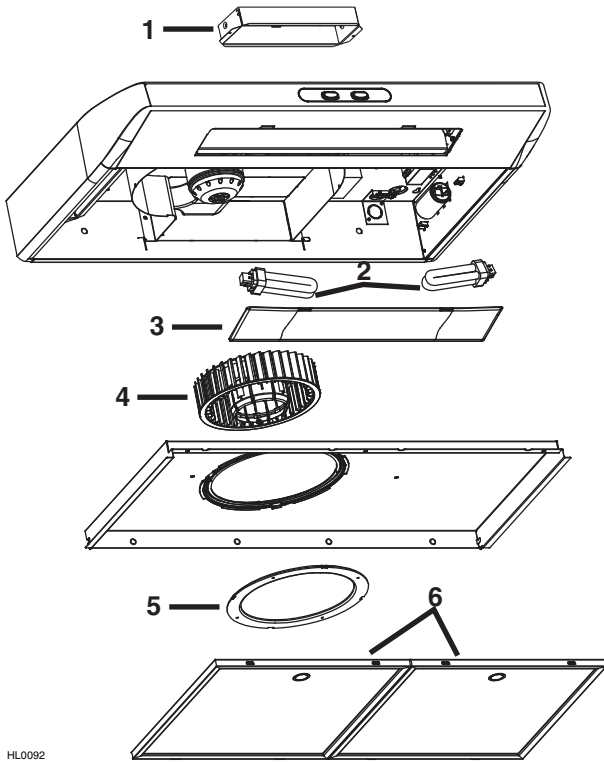
Press on left switch (1) to turn on the blower on low speed, on middle switch (2) to turn on the blower on medium speed, and on right switch (3) to turn on the blower on high speed.

**C. ON/OFF LIGHTING SWITCH:**

Press on this switch to turn on the fluorescent lights, and press again to turn them off.

## 12. SERVICE PARTS

### MODELS ESB10, ESN10 AND ESV10

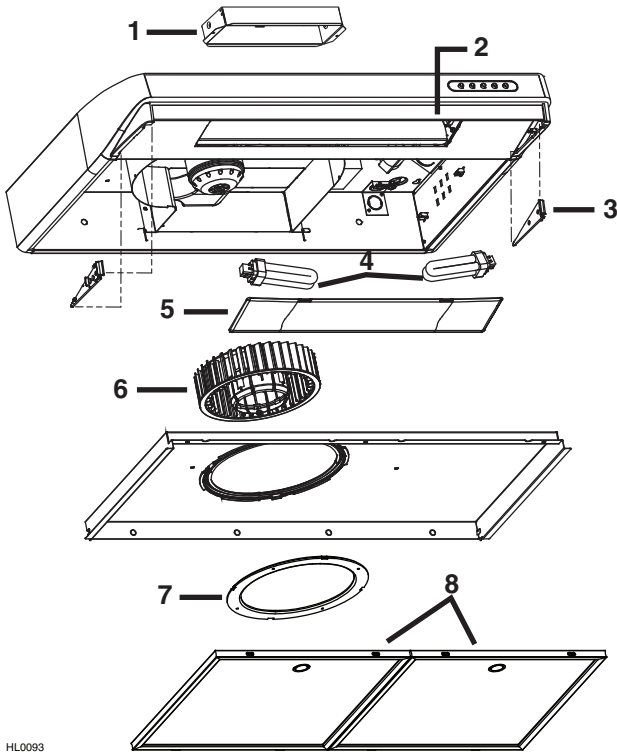


HL0092

KEY No.	PART No.	DESCRIPTION	QTY.
1	13296	ADAPTER/DAMPER	1
2	03623	FLUORESCENT LAMP	2
3	01752	LIGHT DIFFUSER	1
4	01988	BLOWER WHEEL	1
5	01757	INLET RING	1
6	14131	MICROMESH FILTER (THE PAIR)	1
*	SV06727	INSTALLATION & USER MANUAL	1
*	04281	HARDWARE BAG: (1) WIRE CLAMP, (2) WIRE CONNECTORS, (6) NO. 6 x 1/2" SCREWS, (5) NO. 8 x 1/2" DOUBLE THREAD SCREWS	1

\* Item not shown

### MODEL ESC270



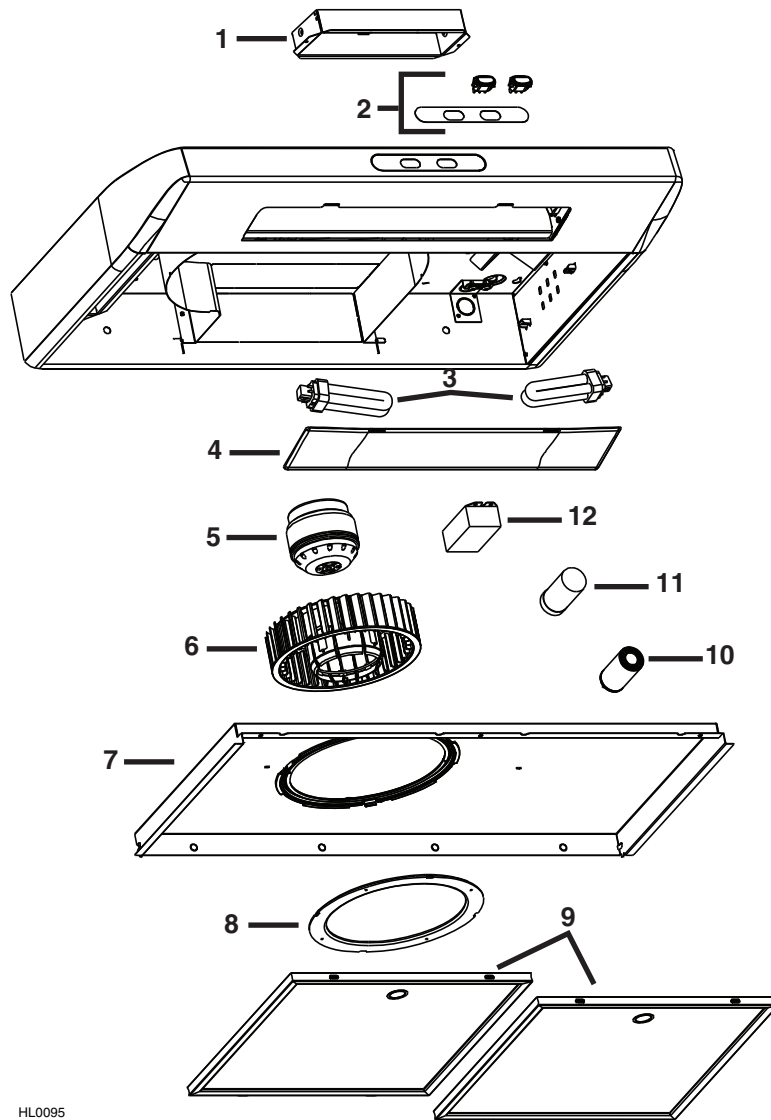
HL0093

KEY No.	PART No.	DESCRIPTION	QTY.
1	13296	ADAPTER/DAMPER	1
2	16153	SMOKED GLASS	1
3	16150	GLASS HOLDER BLACK (PAIR)	1
	16151	GLASS HOLDER WHITE (PAIR)	1
	16152	GLASS HOLDER GREY (PAIR)	1
4	03623	FLUORESCENT LAMP	2
5	01752	LIGHT DIFFUSER	1
6	01988	BLOWER WHEEL	1
7	01757	INLET RING	1
8	14131	MICROMESH FILTER (THE PAIR)	1
*	SV06727	INSTALLATION & USER MANUAL	1
*	04281	HARDWARE BAG: (1) WIRE CLAMP, (2) WIRE CONNECTORS (6) NO. 6 x 1/2" SCREWS, (5) NO. 8 x 1/2" DOUBLE THREAD SCREWS	1

\* Item not shown

## 12. SERVICE PARTS

### MODEL QDE



HL0095

KEY No.	PART No.	DESCRIPTION	QTY.
1	SV13296	ADAPTER/DAMPER	1
2	SV15434	ROCKER SWITCH WHITE (PAIR) + OVERLAY WHITE	1
	SV15433	ROCKER SWITCH BLACK (PAIR) + OVERLAY BLACK	1
3	SV03623	FLUORESCENT LAMP	2
4	SV01752	LIGHT DIFFUSER	1
5	SV01765	MOTOR	1
6	SV01988	BLOWER WHEEL	1
7	SV16119	BOTTOM PAN WHITE	1
	SV16117	BOTTOM PAN BLACK	1
8	SV01757	INLET RING	1
9	SV14131	MICROMESH FILTER (THE PAIR)	1
10	SV02104	SECONDARY CAPACITOR 7.5 µF	1
11	SV06756	CAPACITOR 11.5 µF	1
12	SV03649	BALLAST HARNESS (SOCKET LAMPS INCLUDED)	1
*	SV06727	INSTALLATION & USER MANUAL	1
*	SV04281	HARDWARE BAG: (1) WIRE CLAMP, (2) WIRE CONNECTORS (6) NO. 6 x 1/2" SCREWS, (5) NO. 8 x 1/2" DOUBLE THREAD SCREWS	1

\* Item not shown