

This Owner's Manual is provided and hosted by [Appliance Factory Parts](#).



BROAN 335 Owner's Manual

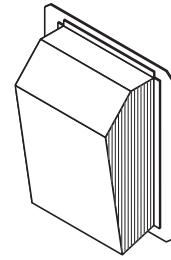
[Shop genuine replacement parts for BROAN 335](#)



[Find Your BROAN HVAC Parts - Select From 1309 Models](#)

----- Manual continues below -----

MODEL 335 EXTERIOR BLOWER



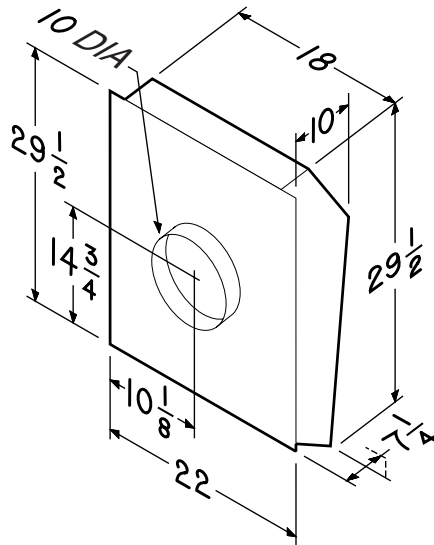
Use this high-powered ventilator to quietly and efficiently exhaust airborne contaminants from cooking and living space.

FEATURES:

- Brushed aluminum construction
- Built-in flashing plate for roof or wall mount
- Built-in backdraft damper and birdscreen
- Easily removable cover provides quick access to blower for cleaning and servicing
- For 10" round duct
- Thermally protected, permanently lubricated, ball-bearing motor
- Speed control compatible motor
- Dynamically balanced 14" diameter backward-curved impeller
- Low RPM - quiet operation
- For use with Rangemaster 60000 Series, RM60000 Series, or 64000 Series Range Hoods

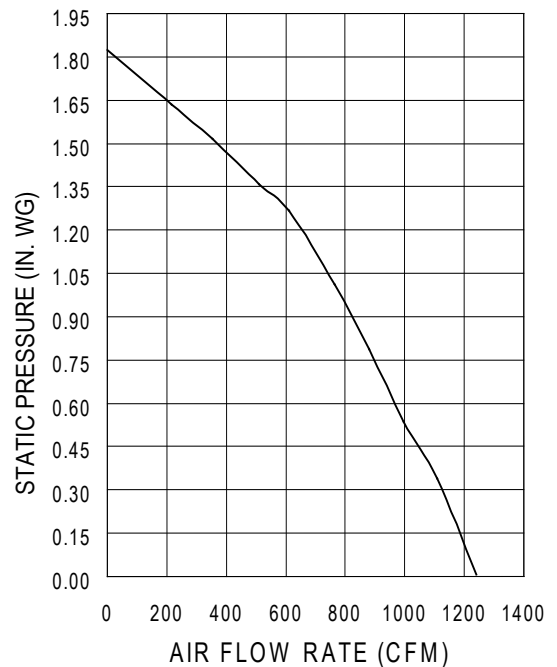
SPECIFICATIONS

VOLTS	120
AMPS	3.0
CFM	1200
DUCT	10" Round



TYPICAL SPECIFICATION

Ventilator shall be a Broan Elite Model 335.
 Ventilator shall be roof (exterior wall) mountable with a 10" round duct connector.
 Ventilator shall be of aluminum construction.
 Ventilator shall include an automatic backdraft damper.
 Air delivery shall be no less than 1200 CFM, as certified by HVI.



Broan-NuTone LLC, 926 West State Street, Hartford, WI 53027 (1-800-637-1453)
 NuTone, Inc., 4820 Red Bank Road, Cincinnati, OH 45227 (1-800-543-8687)
 Broan-NuTone Canada, Inc., 1140 Tristar Drive, Mississauga, Ontario, L5T 1H9 (1-888-882-7626)

REFERENCE	QTY.	REMARKS	Project
			Location
			Architect
			Engineer
			Contractor
			Submitted by Date