

This Owner's Manual is provided and hosted by [Appliance Factory Parts](#).



BROAN SSQTXE080 Owner's Manual

**[Shop genuine replacement parts for BROAN
SSQTXE080](#)**



[Find Your BROAN HVAC Parts - Select From 1309 Models](#)

----- Manual continues below -----

Broan SmartSense® INTELLIGENT VENTILATION SYSTEM SSQTXE080, SSQTXE110 & SMSCPLR

Improve air quality throughout the home automatically and efficiently - a smart solution to home ventilation.

FEATURES

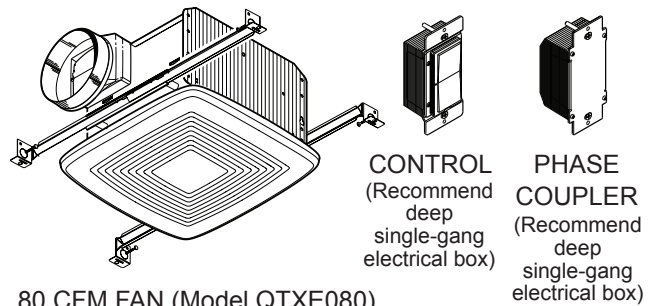
- Removes pollutants such as house hold cleaners, VOC's, carbon dioxide/monoxide, and off-gassing from building materials, carpets and other furnishings
- Helps remove gases and particles that are not trapped by any filtration unit
- Program a single control for a ventilation rate to match the size of the home
- Automatically adjusts total run-time based on square footage and number of bedrooms
- Optimizes energy usage by monitoring normal fan operation and adjusting automatic ventilation time as needed
- Continuously monitors and if necessary, activates other Broan SmartSense® systems located in different locations within the home – day and night
- No control wiring required – controls communicate over existing home power wires
- Uses less than 40 watts during ventilation cycles – in most installations
- Cost effective and energy efficient ventilation strategy
- Broan Ultra Silent™ fans operate at a barely audible 0.3 (80 CFM fans) or 0.7 Sones (110 CFM fans)
- Easy installation of fans in the ceiling, vented to the exterior using 6-inch duct
- Up to 10 systems can be combined into an air quality network
- Meets ASHRAE 62 – related ventilation requirements



Broan SmartSense® uses INSTEON™, a powerful, wireless home control technology

INSTEON
ENABLED

Broan-NuTone LLC Hartford, Wisconsin www.broan.com 800-558-1711



80 CFM FAN (Model QTXE080)
110 CFM FAN (Model QTXE110)
[\(see fan spec sheet\)](#)

CONTROL
(Recommend deep single-gang electrical box)

PHASE COUPLER
(Recommend deep single-gang electrical box)

SSQTXE080

Contains:
1 - 80 CFM Fan (Model QTXE080)
1 - SmartSense® Control

SSQTXE110

Contains:
1 - 110 CFM Fan (Model QTXE110)
1 - SmartSense® Control

SMSCPLR Phase Coupler

Required for multiple systems on opposite electrical power phases

CONTROL SPECIFICATIONS

Paddle Type: Rocker action
Color: White Paddle & Trim Frame
Almond Paddle & Trim Frame included
Conditions: Indoor, 40° to 104° F, up to 85% relative humidity
Supply Voltage: 120 VAC +/- 10%, 60 Hz, single phase
Max. Load: 480 Watts incandescent, 13A resistive
Certification: Safety tested for use in USA and Canada (ETL #3017581)

REFERENCE	QTY.	REMARKS	Project
			Location
			Architect
			Engineer
			Contractor
			Submitted by Date

Broan SmartSense®

INTELLIGENT VENTILATION SYSTEM

SSQTXE080, SSQTXE110 & SMSCPLR

Recommended rooms for fans include:

- One for each Bathroom, Watercloset, or Shower Stall
- Laundry Room
- Rec Room
- Workshop
- Exercise Room
- Home Office
- Playroom

INSTEON™

POWERLINE PHYSICAL LAYER PROPERTIES

Frequency: 131.65 KHz
 Modulation: BPSK
 Min. Transmit Level: 3.16 Vpp into 5 Ohms
 Min. Receive Level: 10 mV
 Phase Bridging: SMSCPLR Hard Wired or INSTEON™ RF Phase Coupler

RECOMMENDED CONTINUOUS VENTILATION RATE IN CFM (cubic feet per minute)

Home Square Footage	Number of Bedrooms				
	0 - 1	2 - 3	4 - 5	6 - 7	> 7
< 1500	30	45	60	75	90
1501 - 3000	45	60	75	90	105
3001 - 4500	60	75	90	105	120
4501 - 6000	75	90	105	120	135
6001 - 7500	90	105	120	135	150
> 7500	105	120	135	150	165



INSTEON
ENABLED

