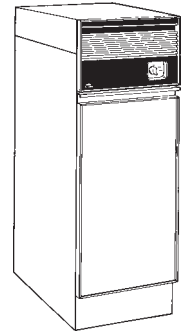


TRASH COMPACTORS

MODELS
1050 & 1051



MODEL
1052



The industry's highest compaction force, narrow cabinet width and deluxe features make the 1052 THE choice in home compactors.

FEATURES

- Up to 5000 lbs. of compacting force
- Patented double scissors ram
- Compacts the equivalent of fourteen (14) 13-gallon trash containers into one easy, disposable bag
- Space-saving 12" wide design
- Key operated switch for safety
- Convenient swing open door for trash unloading
- Bag storage compartment
- Air Scentry™- accepts most popular solid deodorizers with self/adhesive
- Four adjustable leveling legs
- Door panels offer choice of three decorative finishes:
Polished Stainless Steel (301 Grade) – Model 1052
Black/Biscuit – Model 1050
Black/White – Model 1051
- Textured cabinet features a durable baked enamel finish in Black
- **No. 93620008** reinforced plastic replacement bags (available twelve (12) to a pack)
- **Model 1004** Hardwood cutting board top (available separately)
- Hands-free, toe pedal drawer opening (Models 1050 & 1051)

SPECIFICATIONS

VOLTS	Hz	AMPS	CAPACITY	COMPACTION	WEIGHT
120	60	5.0	1.4 cu. ft. bin	Up to 5000 lbs.	134 lbs. (incl. carton)

TYPICAL SPECIFICATION

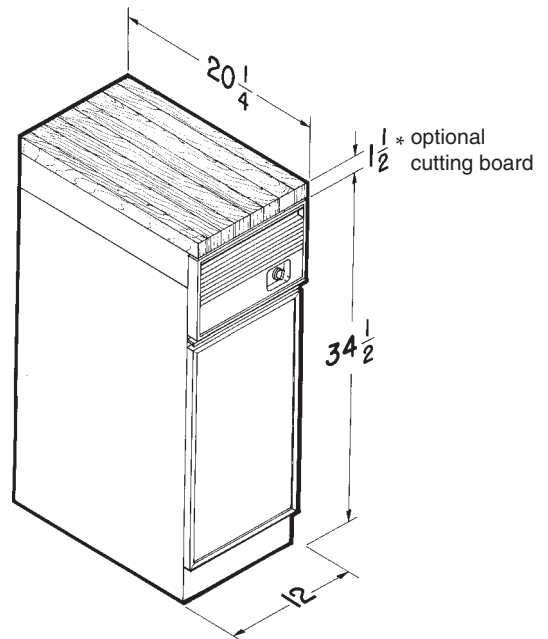
Trash compactor shall be Broan Model 1050 (Model 1051) (Model 1052).

Unit shall produce up to 5000 lbs. of compacting force.

Compactor shall be 12" wide and installed (flush with countertop) (freestanding). Door panel to be 24 ga. 304 stainless steel (Model 1052) or two colors (Model 1050) (Model 1051).

Unit shall have a key switch and a deodorizing panel feature.

Compactor to operate on 120 VAC, 60 Hz and not to exceed 5 AMPS. Unit to be U.L. and C.S.A. listed.



Broan-NuTone LLC, 926 West State Street, Hartford, WI 53027 (1-800-637-1453)

REFERENCE	QTY.	REMARKS	Project
			Location
			Architect
			Engineer
			Contractor
			Submitted by Date