

This Owner's Manual is provided and hosted by [Appliance Factory Parts](http://www.appliancefactoryparts.com).



BROAN 15WT Owner's Manual

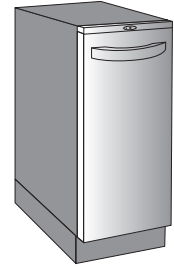
[Shop genuine replacement parts for BROAN 15WT](#)



[Find Your BROAN Trash Compactor Parts - Select From 20 Models](#)

----- Manual continues below -----

15-INCH WIDE TRASH COMPACTOR



FEATURES

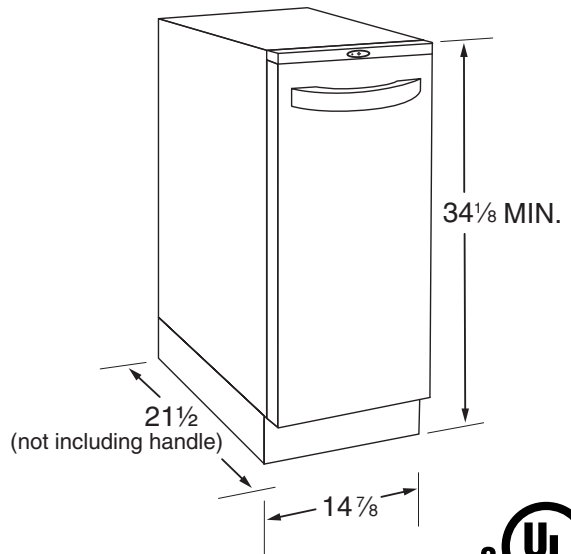
- 3000 lbs. of continual compaction force.
- ¾ horsepower motor drives dual screw compaction system.
- Dedicated 15 Amp circuit recommended.
- Six (6) to one (1) compaction ratio. Compact the equivalent of six (6) 13 gallon trash containers into one bag.
- Compact hold feature maximizes capacity of compacted trash.
- Compacting plate designed to crush cans and bottles.
- 1.55 cubic foot trash bucket holds 30 lbs. of trash.
- Trash bucket has drop down door for easy trash removal.
- Full extension ball bearing trash bucket drawer slides for smooth action.
- Start button with ram status LED.
- Removable key switch prevents unauthorized compaction.
- Safety interlock prevents compaction when door is open.
- Bag storage compartment. Unit comes with three (3) bags.
- Manual advance odor control system. First six (6) month disk provided with trash compactor.
- Magnetic door gasket provides tight seal for quiet cycling and odor control.
- Reversible doors with 170° range of motion offered in different finishes.
 - Model 15BL - Black door and trim
 - Model 15WH - White door and trim
 - Model 15SS - Stainless steel door and stainless-look trim
 - Model 15WT - Wood door kit with stainless-look trim
 - Model 15TT - Tile door kit with stainless-look trim
- Textured cabinet features a durable baked epoxy finish in black (all models).
- Two (2) adjustable height leveling legs (front) and two (2) adjustable height rollers (rear) provide one (1) inch of height adjustment.

ACCESSORIES (purchased separately)

- Model 15TCTK - Toe kick kit (required for freestanding installations).
- Model 15TCBL – Sixty (60) trash bags (black).
- Model 15TCOD – Set of ten (10) odor control disks. Each disk lasts up to six (6) months.
- Model 15TCBB – Hardwood cutting board (rests on top of compactor when not installed under a counter top).

SPECIFICATIONS

Volts	Hz	AMPS	Capacity	Compaction	Weight
120	60	5.0	1.55 ft ³ 30 lbs.	3000 lbs 6 to 1	165 lbs (packaged)



Broan-NuTone LLC Hartford, Wisconsin www.broan.com 800-558-1711
 Broan-NuTone Canada Mississauga, Ontario www.broan.ca 877-896-1119

REFERENCE	QTY.	REMARKS	Project
			Location
			Architect
			Engineer
			Contractor
			Submitted by Date