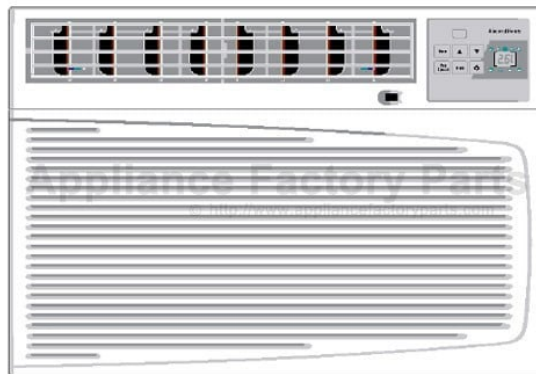


This Owner's Manual is provided and hosted by [Appliance Factory Parts](#).



CLIMETTE CA1516KR Owner's Manual

[Shop genuine replacement parts for CLIMETTE
CA1516KR](#)



[Find Your CLIMETTE Air Conditioner Parts - Select From 63 Models](#)

----- Manual continues below -----

Installation and Operating Instructions



Fig. 1 – Remote Control Unit

NOTE TO EQUIPMENT OWNER:

Thank you very much for purchasing a Climette Airconditioner. Please read this Owner's Information Manual carefully before installing and using this appliance and keep this manual for future reference.

For your convenience, please record the model and serial numbers of your new equipment in the spaces provided. This information, along with the installation data and dealer contact information, will be helpful should your system require maintenance or service.

UNIT INFORMATION

Model # _____

Serial # _____

INSTALLATION INFORMATION

Date Installed _____

DEALERSHIP CONTACT INFORMATION

Company Name _____

Address _____


Phone Number _____

Technician Name _____

TABLE OF CONTENTS

	PAGE
SAFETY CONSIDERATIONS	3
INTRODUCTION	3
ELECTRICAL SPECIFICATIONS	4
TIPS BEFORE INSTALLATION	5
POWER SUPPLY CORD	5
INSTALLATION INSTRUCTIONS	6 - 9
STORM WINDOW APPLICATIONS	9
WALL INSTALLATIONS	10 - 11
MASONRY CONSTRUCTION	11
OPERATING INSTRUCTIONS	12 - 13
CARE AND MAINTENANCE	14
TROUBLESHOOTING GUIDE	14
WARRANTY	15

SAFETY CONSIDERATIONS

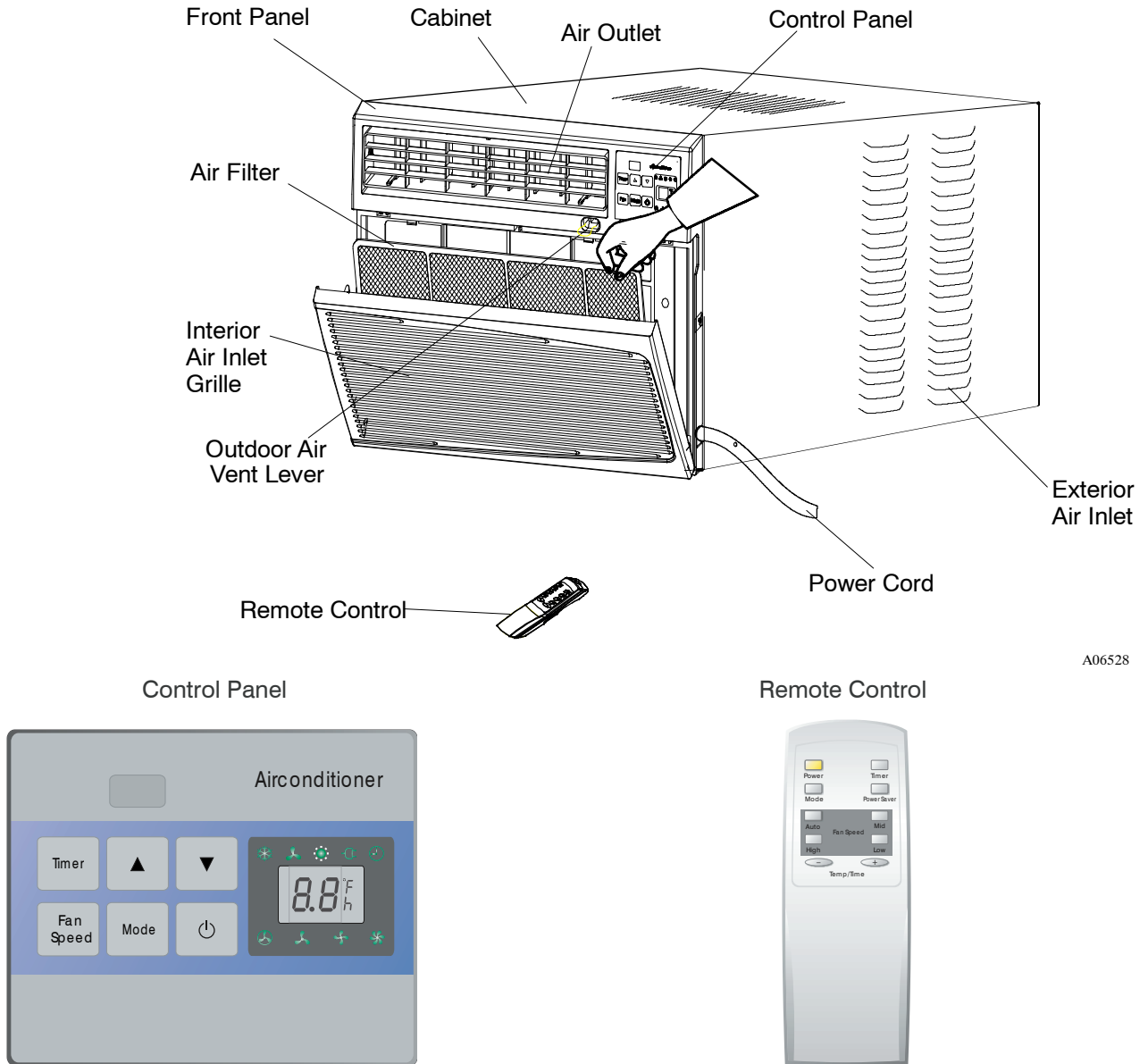
Recognize safety information. This is the safety-alert symbol . When you see this symbol on the unit and in instructions or manuals, be alert to the potential for personal injury. Understand these signal words: DANGER, WARNING, and CAUTION. These words are used with the safety-alert symbol. DANGER identifies the most serious hazards which **will** result in severe personal injury or death. WARNING signifies hazards which **could** result in personal injury or death. CAUTION is used to identify unsafe practices which **may** result in minor personal injury or product and property damage. NOTE is used to highlight

suggestions which **will** result in enhanced installation, reliability, or operation.

INTRODUCTION

Thank you for choosing this room air conditioner to cool your home. This Owner's Information Manual provides information necessary for the proper care and maintenance of your new room air conditioner.

If properly maintained, your air conditioner will give you many years of trouble free operation. To avoid installation difficulties, read instructions completely before starting. This manual contains information for the installation and operation of your room air conditioner.



A06528

Fig. 2 – Air Conditioner Parts Description

A06529

NOTE: The figures in this manual are based on the external view of a standard model. Consequently, the shape may differ from that of the air conditioner you have selected.

ELECTRICAL SPECIFICATIONS

1. All wiring must comply with local and national electrical codes and must be installed by a licenced electrician. If you have any questions regarding the following instructions, contact a licenced electrician.
2. Check available power supply and resolve any wiring problems BEFORE installing and operating this unit.
3. For your safety and protection, this unit is grounded through the power cord when plugged into a matching wall outlet. If you are not sure whether your wall outlet is properly grounded, please consult a licenced electrician.
4. The wall outlet (3-pin) must match the plug (3-pin) on the power cord supplied with the unit. DO NOT use plug adapters or extension cords. See (Table 1) for receptacle and fuse information.
5. The rating plate on the unit contains electrical and other technical data. The rating plate is located on the right side of the unit. Make sure to use the correct power supply according to the rating plate of your air conditioner.



WARNING

ELECTRICAL SHOCK HAZARD





Failure to follow this warning could result in personal injury or death and/or property damage.

Shut off electrical power to unit before installing or servicing.

If the air conditioner has a serial plate rating of 115 volts and up to and including 7.5 amps, the unit maybe on a fuse or circuit breaker with other devices. However, the maximum amps on all devices for that fuse or circuit breaker can not exceed the amps of the fuse for the circuit breaker.

If the air conditioner has a serial plate rating of 115 volts and greater than 7.5 amps it must have its own fuse or circuit breaker, and no other device or unit should be operated on the fuse or circuit breaker.

If the air conditioner has a serial plate rating of 230 volts, it must have its own fuse or circuit breaker, and no other device or unit should be operated on the fuse or circuit breaker.

RECEPTACLE AND FUSE TYPES				
COOLING CAPACITY	10K-14K (Cooling only)	18K(Cooling only) 10K-12K(With heating)	23K (Cooling only)	18K-23K (With heating)
RATED VOLTS	125	250	250	250
AMPS	15	15	20	30
WALL OUTLET				
FUSE SIZE	15	15	20	30

NOTE: 10K-14K (Cooling only) including models
18K (Cooling only) including models
10K-12K (with Heating) including models

23K (Cooling only) including models
18K-23K (with Heating) including models

NOTE: Check rating plate on your specific model for exact receptacle and fuse type.

TIPS BEFORE INSTALLATION

CAUTION

UNIT OPERATION HAZARD

Failure to follow this caution may result in damage to unit components.

To avoid installation/operating difficulties, read the instructions thoroughly.

Your Room Air Conditioner unit is designed to be highly efficient and save energy. Follow these recommendations for greater efficiency.

1. Select thermostat setting that suits your comfort needs and leave the thermostat at that chosen setting.
2. The air filter is very efficient in removing airborne particles. Keep the air filter clean. Typically, the filter should be cleaned once a month. More frequent cleaning may be necessary depending on outdoor and indoor air quality.
3. Use drapes, curtains, or shades to keep direct sunlight from heating your room, but DO NOT obstruct the air conditioner. Allow air to circulate around the unit without obstructions.
4. Start your air conditioner before outdoor air becomes hot/cold and uncomfortable. This avoids an initial period of discomfort while the unit is cooling or heating off the room.
5. When outdoor temperature is cool enough, use HIGH or LOW FAN only. This circulates indoor air, providing some cooling comfort, and utilizes less electricity than when operating on a cooling setting.

Your Room Air Conditioner was designed for easy installation in a single or double-hung window.

NOTE: This unit is NOT designed for vertical (slider type) windows.

POWER SUPPLY CORD

This room air conditioner is equipped with a protective power supply cord that senses current leakage (see Fig. 3). Unit power is automatically disconnected when unsafe conditions are detected.

To test the power supply cord:

1. Plug power supply cord into a grounded 3-prong outlet
2. Press RESET.
3. Press TEST (listen for click; RESET button will trip and pop out).
4. Press and release RESET (listen for click; RESET button will latch and remain in). The power supply cord is ready for operation.

The Reset button must be pushed in for proper operation.

The power supply cord must be replaced if the RESET button fails to trip when the test button is pressed or fails to reset. A damaged power supply cord must be replaced with a new power supply cord obtained from the product manufacturer. The damaged cord MUST NOT be repaired.

Do not use the power supply cord as an off/on switch. The power supply cord is designed as a protective device.

The power supply cord contains no serviceable parts. Opening the tamper-resistant case voids all warranty and performance claims.

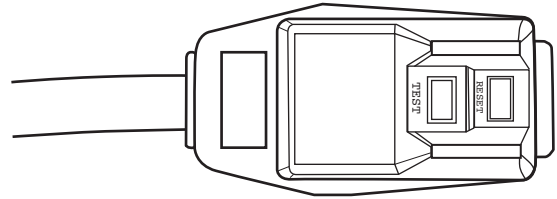


Fig. 3 – Power Supply Cord

A06531

NOTE: Save the shipping carton and packing materials for future storage or transport of the unit. Please check the contents of the hardware kit against the corresponding model check list, prior to installation of the unit. See lists below in Fig. 4.

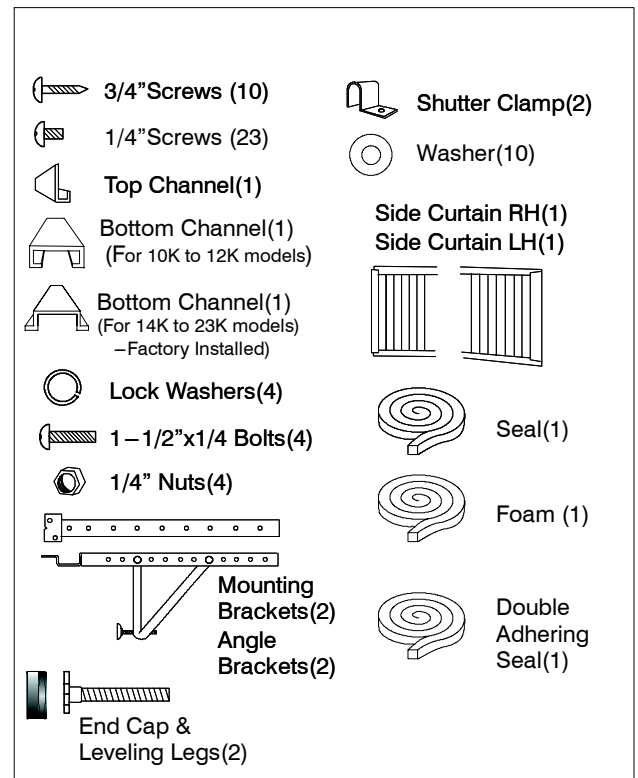


Fig. 4 – Installation Hardware

A06532

NOTE: Surplus screw(s) for spare use.

Tools needed for window installation

- Screw drivers: both Phillips and flat head
- Power drill: 1/8 inch diameter drill bit
- Pencil
- Measuring tape
- Scissors
- Carpenters level

INSTALLATION INSTRUCTIONS

⚠ CAUTION

PERSONAL INJURY/UNIT OPERATION HAZARD

Failure to follow this caution may result in personal injury and/or damage to unit components.

It is recommended to have someone assist you during the installation of this unit because the compressor is located on the controls side of the unit (right side) and this side will be heavier and more awkward to manipulate.

Step 1 —Select the Best Location

- Your room air conditioner was designed to fit easily into a single or double hung window. However, since window designs vary, it may be necessary to make some modifications for safe and proper installation.
- Make sure window and frame is structurally sound and free from dry and rotted wood.
- For maximum efficiency, install the air conditioner on side of the house or building which favors more shade than sunlight. If the unit is in direct sunlight, it is advisable to provide an awning over the unit.
- Provide sufficient clearance around the cabinet to allow for ample air circulation through the unit (see Fig. 5). The rear of the unit should be outdoors and not in a garage nor inside of a building. Keep unit as far away as possible from obstacles and obstructions and at least 30" above the floor or ground. Curtains and other objects within a room should be prevented from blocking the air flow.
- Be certain the proper electrical outlet is within reach of the installation. Use only a single outlet circuit rated at proper current (see table 1 on page 4). All wiring should be in accordance with local and national electrical codes.
- Your unit was designed to evaporate condensation under normal conditions. However, under extreme humidity conditions, excess condensation may cause the basepan to overflow to the outside. The unit should be installed where condensation run-off cannot drip on pedestrians or neighboring properties.

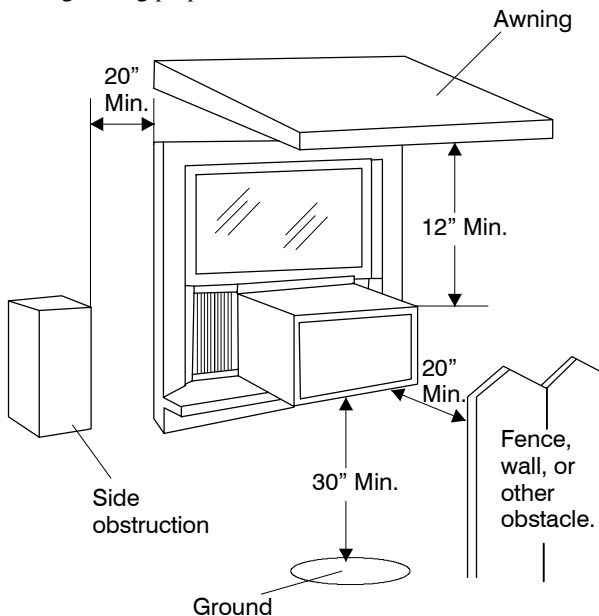


Fig. 5 – Air Conditioner Clearances

A06534

Window Opening Requirements

SIZE	MODEL	
	12K	14K–23K
Cabinet Size (W/H/D)	22.8"/15.7"/24.1"	26.5"/18.5"/26.9"
Window Opening Width	27" – 41"	30" – 44"
Window Opening Height	16"	18.5"

Step 2 —Preparation to Remove the Air Conditioner Slide-Out Chassis

- Remove total of (4) Philips screws securing the chassis to the cabinet. There are (2) screws on each side. The set of screws closest to the front of the unit secure the front panel to the cabinet. The set of screw closest to the rear of the unit secure the cabinet to the chassis (see Fig. 6).
- Remove the front panel assembly from the cabinet by gently pulling it.
- Grasp the pull handle at the front of the slide-out chassis and carefully slide the air conditioner out of the cabinet (see Fig. 7).
NOTE: Screws must be reinstalled upon completion of the window installation to secure slide-out chassis.

IMPORTANT: Please seek assistance for this procedure.

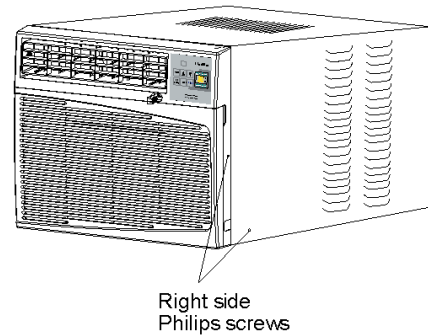


Fig. 6 – Screw Removal

A06535

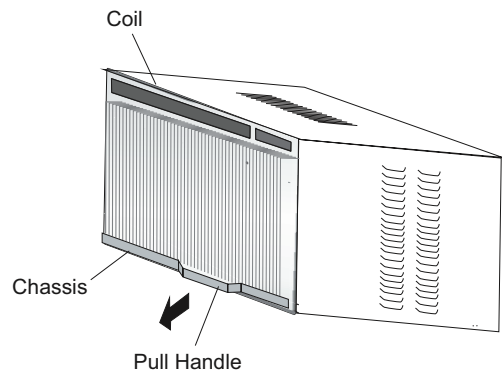


Fig. 7 – Air Conditioner Removal

A06536

Step 3 —Assembly of the upper & lower channels to the cabinet

- "L" Shaped Top Channel: Stick the double adhering seal to the "L" shaped top channel, and then install the "L" shaped top channel to the cabinet as shown in Fig. 8 using (5) 1/4" screws.
- "n" Shaped Bottom Channel installed as shown in Fig. 8 using (4) 1/4" screws.

NOTE: For 14K to 23K models, the bottom channel has been factory-installed, and their shapes may differ from the others, but their functions are similar.

Step 4 —Assembly of the side shutters (curtains) to the cabinet.

A. Slide the shutters into the top and bottom channels as shown in Fig. 9. The shutters are identified (on each frame) as "left" & "right". Attach the shutters to the cabinet using (4) 1/4" screws on each side.

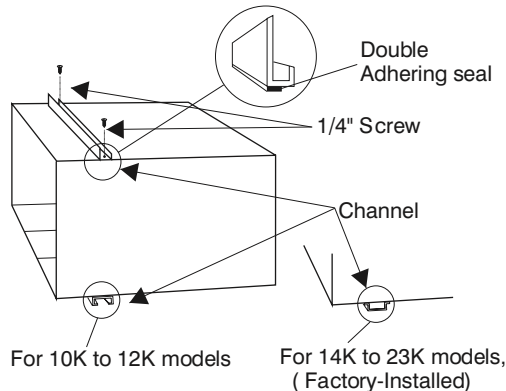


Fig. 8 – Channel Assembly

A06537

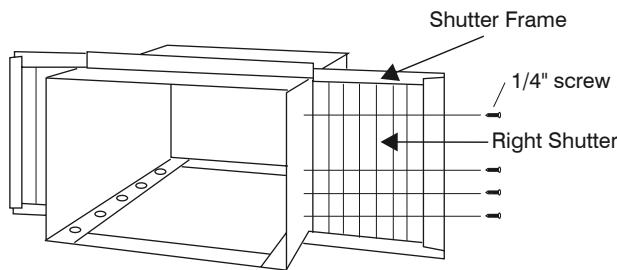


Fig. 9 – Shutter Assembly

A06538

Step 5 —Installation of Mounting Brackets and First Sealing Strip

NOTE: Windows come in a variety of different styles. Therefore, it may be necessary to modify or improve your particular installation.

A. Attach the bracket assembly to 90 angle support brackets (Fig. 10) using (2) 1 1/2" bolts, two bolts per bracket. Secure with the (2) 1/4" lock washers and (2) 1/4"nuts. **DO NOT** immediately tighten these bolts as it may be necessary to adjust the depth of the bracket assembly, depending on the depth of your window sill. See (Fig. 12). Install the two leveling screws into the 90 support brackets. Test the bracket assembly in the window before cabinet installation. If the leveling screws are distanced too far away from the wall to provide stability, it may be necessary for you to fill this area with a solid piece of wood. See (Fig. 13).

B. Measure the inside window sill width and find the center as shown in (Fig. 11). Align the V-slot in each bracket on these marks and mount the brackets to the sill using 3/4" screws provided. Brackets should be perpendicular to the inside window sill. See (Fig. 11).

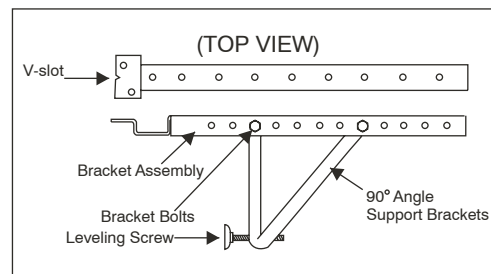


Fig. 10 – Bracket Assembly

A06539

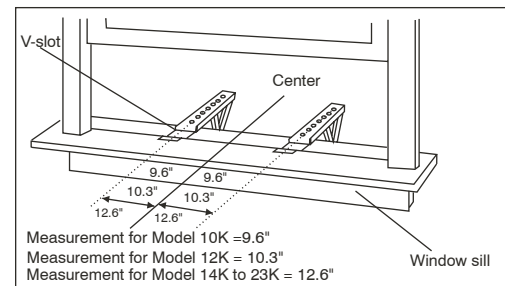


Fig. 11 – Bracket Mounting

A06540

C. For proper condensation run-off it will be necessary to adjust the angle/pitch of the window brackets. This is accomplished by adjusting the distance of the leveling screw on the outer wall. The maximum angle/pitch should not exceed more than 3/16". See (Fig.12).

D. Cut the seal strip to fit the underside of the bottom window sash. Remove the peel-off backing on the seal and attach it to this sash. See (Fig. 14).

⚠ CAUTION

UNIT DAMAGE HAZARD

Failure to follow this caution may result in unit damage.

Use a solid piece of wood to provide stability. This will be required when sills are extra deep (see Fig. 13).

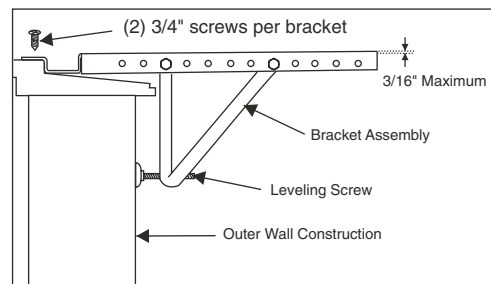


Fig. 12 – Depth/Angle Illustration

A06541

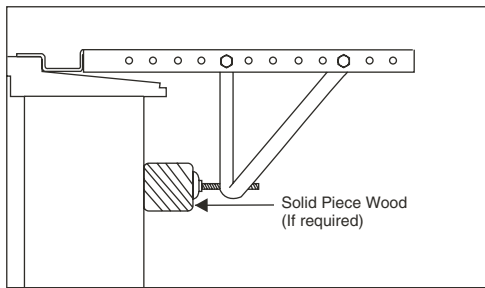


Fig. 13 – Solid Piece of Wood Placement

A06542

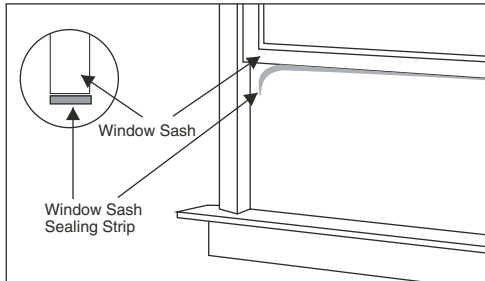


Fig. 14 – Seal Strip Adhesion

A06543

Step 6 —Installation of the cabinet

- A. Align one hole in the bottom of the cabinet with one hole in the bracket assembly. Secure the cabinet to the bracket using (3) 1/4" screws provided. Repeat the same procedure on the opposite side of the cabinet. See (Fig. 15).
- B. Ensure the "L" shaped mounting channel is positioned in front of the sash. The bottom channel of the cabinet should be positioned in the track provided on the bracket assembly. Pull the window down until it rests just behind the front of the "L" shaped mounting channel. See (Fig. 16).
- C. Check to make sure that the cabinet is slanted slightly downward on the outside. If necessary, re-adjust support bracket as shown in (Fig. 12).

Step 7 —Secure Shutters

- A. Carefully slide the air conditioner back into the cabinet. (Please seek assistance for this procedure).
- B. Reinstall the slide-out-chassis security screws (removed earlier) on both sides of the cabinet (see Fig. 12). Secure the top of the frames to the window sash with (2) 3/4" screws.
- C. Now, secure bottom frame of shutters using one shutter clamp and one 3/4" screw on each side (see Fig. 12).

Step 8 —Reinstalling Front Panel Assembly

- A. Position the front panel on the cabinet starting at the top. The front panel lock tabs must be inserted into the retaining slots in the cabinet. Repeat this procedure on all sides.
- B. Secure the front grille to the cabinet using the Philips screws removed earlier (see Fig. 6).

Step 9 —Complete the installation

- A. Cut the foam to fit the opening between the top of the inside and outside window (see Fig. 18).
- B. **Some installations may require additional sealing around the window and air conditioner.** Check for any air leaks and seal where necessary.

C. In very humid areas, the water removal may be excessive enough to overflow the unit or increase the noise of the air conditioner. If this occurs, you may wish to attach a drain hose (not included) to the drain plug allowing condensations to run off conveniently (see Fig. 19).

NOTE: Fresh Air ventilation is usually kept in the closed position. Use only when clearing smoke and/or odors from the room. Pull to open (see Fig. 20).

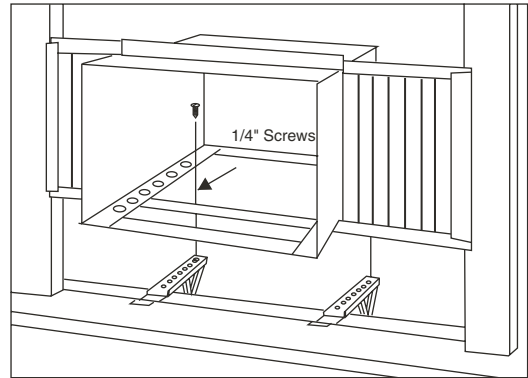


Fig. 15 – Secure the Cabinet

A06544

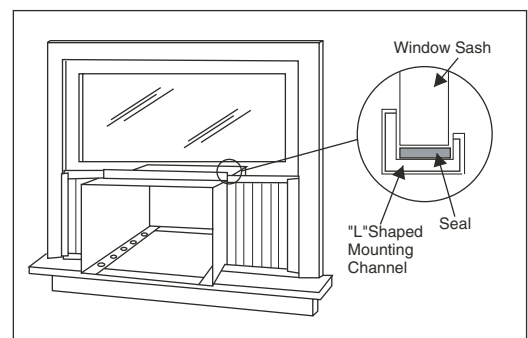


Fig. 16 – Mounting Channel

A06545

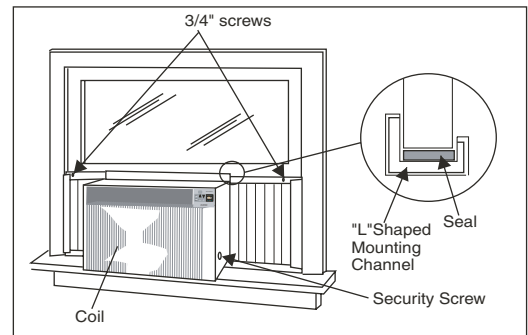


Fig. 17 – Security Screw Detail

A06546

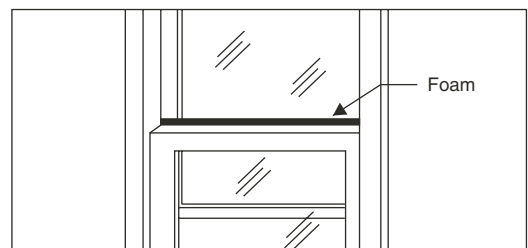


Fig. 18 – Foam Fitting

A06547

STORM WINDOW APPLICATIONS

If the window is blocked by a storm window and the storm window cannot be removed, a mounting board (field provided) will need to be added to the window sash. The air conditioner needs to be pitched downward to the back in order for condensate to drain properly.

The frame of the storm window (or any other obstruction) must be at least 1/2". lower than the window sill. If the storm window frame is not at least 1/2". below the window sill, then a mounting board will need to be added to raise the height of the window sill (see Fig. 21). The board will need to be provided and cut by the installer.

1. The wood mounting board should be a minimum of 1-1/2" wide and should run the length of the window. The thickness of the mounting board is dependent on the height of the storm window frame. The mounting board should raise the front of the air conditioner high enough so that the unit will be pitched downward at least 5/8" when the back of the unit is resting on the storm window frame. See Fig. 21.
2. Cut the wood mounting board to fit the window.
3. Install the wood mounting board on the window using 2 field-provided nails or screws.
4. Drain holes or slots in storm window frame must not be caulked or painted shut. Holes are needed to drain rain water and condensate. Ensure that trapped water can drain out.

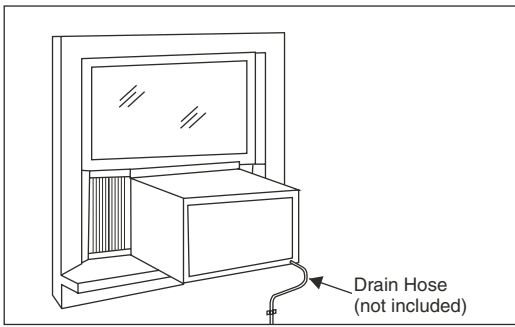


Fig. 19 – Drain Hose

A06548

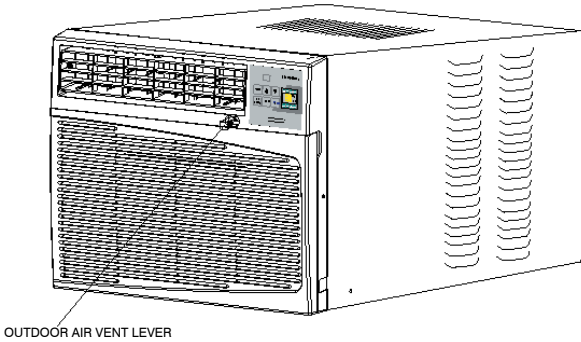


Fig. 20 – Outdoor Air Vent Lever

A06533

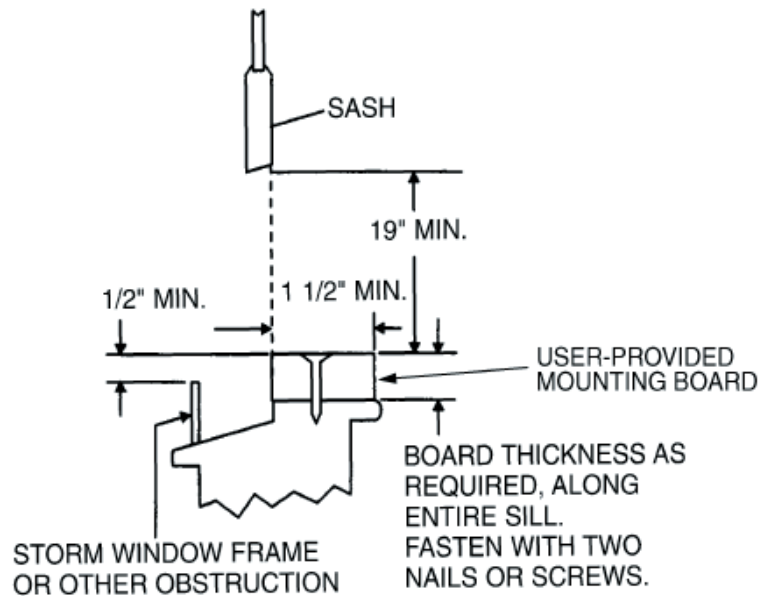


Fig. 21 – Storm Window Applications

WALL INSTALLATION

To install the room air conditioner in the wall, perform the following procedure:

1. Remove air conditioner from shipping box. Do not install window installation parts.
2. Determine the location for air conditioner. Make sure there is adequate clearance on the inside and outside of the wall. Ensure that the power cord will reach the available socket without an extension cord. Air conditioner can be installed in walls up to 7" thick. Side louvers must never be blocked. Select a wall surface that:
 - Does not support major structural loads such as the frame construction at ends of windows and under truss-bearing points
 - Does not have plumbing or wiring routed inside
 - Is near existing electrical outlets or near where a new outlet can be installed
 - Faces the area to be cooled and is not blocked by obstructions
 - Allows unblocked airflow from rear (outside) of installed air conditioner
3. The following parts will need to be provided by the installer:
 - wood frame
 - wood shims
 - wood screws (no. 10, 1" long)
4. Working from the inside of the room, find a wall stud nearest the center of the area where the air conditioner will be installed. This can be determined by sounding walls or using a stud finder.
5. Cut or knock out a hole on each side of the center stud. (See Fig. 22.)

IMPORTANT: Read entire instructions before cutting hole in wall.

6. Measure between the inside edges of every other stud as shown in Fig. 22
7. Follow all local building codes when building and installing frame. Build a wooden frame that will be placed around the unit in the wall. The frame will reinforce the hole in the wall where the air conditioner is installed and is used to secure the air conditioner to the wall. The depth of the frame should approximately match the depth of the wall. The thickness of the frame will need to be added to the dimensions to determine the size of the hole in the wall.

IMPORTANT: Be sure to measure air conditioner to check size before constructing frame.

For example, if using 3/4" thick wood for the frame, the hole would need to be: $20-1/2" + 3/4" + 3/4" = 22"$ wide.

IMPORTANT: If thickness of the wall covers top and side vents of the air conditioner when it is installed, the outer portion of the wall opening must be widened. The top and side vents must be clear and uncovered.

8. After the frame has been constructed, check to make sure that the air conditioner fits correctly inside it. If the frame is too tight or too loose, adjust the size or re-construct.
9. Measure the outer dimensions of the frame and use those dimensions to cut the hole in the wall. Make sure the hole is level or condensate will not drain properly.
10. Install wooden frame into hole in wall. Make sure frame is properly secured. Fill in the space between the frame and the studs with wood shims (spacers). Nails spacers to studs. If required, provide studs around entire frame to reinforce stability of wall (see Fig. 24).

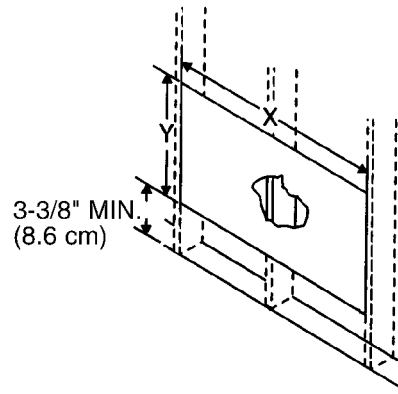
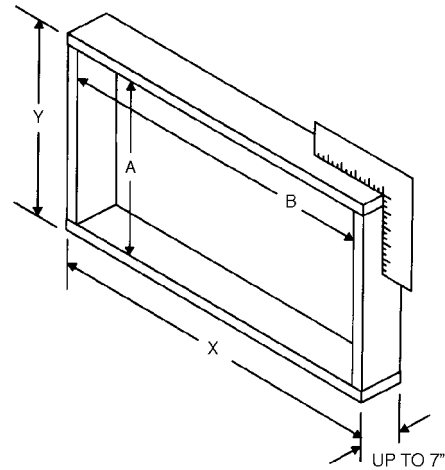


Fig. 22 – Wall Installation Location

A06739



UNIT	Dimensions	
	A	B
CA 1516, 1826, 2326	18.25	26.4

A06740

Fig. 23 – Frame Construction

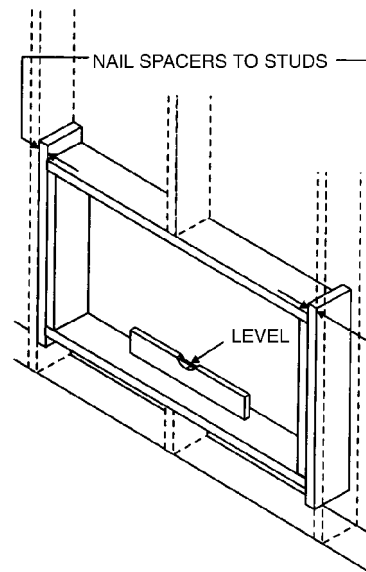


Fig. 24 – Frame Installation

A06741

11. Caulk joints in wood frame as required. If wall thickness is 7" or more, add aluminum flashing over bottom of frame opening to ensure no water can enter area between inner and outer wall.
12. Remove the chassis from the unit cabinet.

⚠ CAUTION

PERSONAL INJURY HAZARD

Failure to follow this caution may result in personal injury.

Be careful when handling chassis. Sharp edges on coil fins can cause personal injury.

13. Slide the empty cabinet into the wall opening and into wooden frame. Approximately 2-1/2" of the cabinet should be in the room. The rest of the cabinet should be positioned through and outside the wall. (See Fig. 25.) Maintain proper slope for condensate drain operation. Bottom rail should be resting firmly on bottom board of wooden frame.
14. Secure bottom rail to wood frame with two large wood screws (1" long) using the two holes in the bottom of the channel. (See Fig. 26.)
15. There are screw holes in the cabinet (4 each side, 4 top) which are used to secure the cabinet to the wooden frame. With the cabinet in its final position, drill holes in the wooden frame using the screw holes in the cabinet as a guide. After the holes have been drilled, secure the cabinet to the wooden frame using field-supplied screws. See Fig. 27.
16. Caulk around wood frame and wall opening on outside wall for a water-tight seal.
17. Optional caulking between the cabinet and the wooden frame may be done on inside wall. Caulking provides an air seal around the cabinet. Decorative wood trim may be added to provide a more pleasing appearance.
18. Lift chassis and carefully slide it into the cabinet. Be sure that it is firmly seated towards the rear of the cabinet.

⚠ CAUTION

PERSONAL INJURY/UNIT OPERATION HAZARD

Failure to follow this caution may result in personal injury and/or damage to unit.

Do not push on the controls or the coil when installing chassis. Personal injury and/or unit damage could result.

19. Install the front panel
20. Plug in the unit.

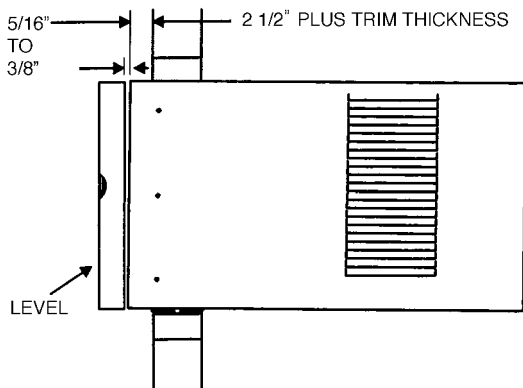


Fig. 25 – Cabinet Location in Wall

A06742

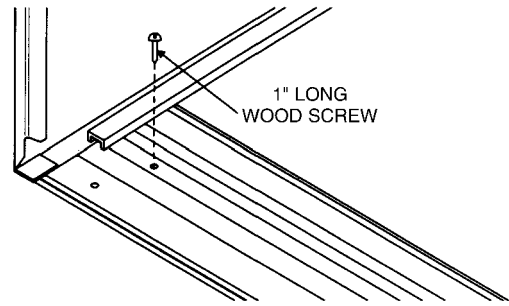


Fig. 26 – Securing Bottom Rail of Cabinet

A06743

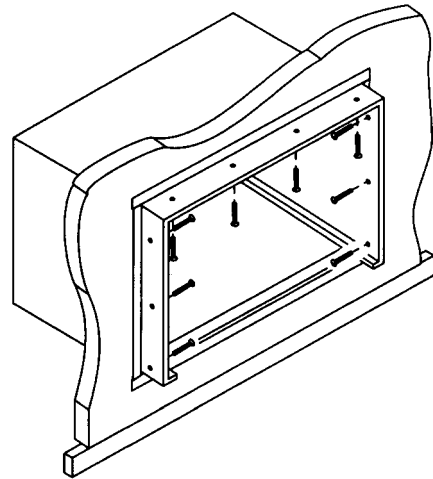


Fig. 27 – Securing Cabinet to Frame

A06744

MASONRY CONSTRUCTION

The air conditioner is installed the same way as the Wall Installation section with a few exceptions. Follow all local and national building codes.

The cabinet can be secured to the masonry by using masonry nail or masonry anchor screws.

Another installation technique would be to construct a frame of 2 x 4s and install the frame between the wall opening and the cabinet. The frame must be securely anchored to the masonry wall opening.

Use a lintel to support masonry above wall opening. Install exterior cabinet support brackets.

OPERATING INSTRUCTIONS

Electronic Control Panel Model

You can easily operate this air conditioner by pressing relevant button on the control panel as well as the remote control

Button

The air conditioner will be started when it is energized or will be stopped when it is in operation, if you press this button. When the air conditioner is heating, allow 3 minutes after you press this button.

Mode Button

Each time MODE button is pressed, the operation mode is changed in sequence:

COOL: COOLING - FAN ONLY - ENERGY SAVING - COOLING

HEAT: COOLING - FAN ONLY - HEATING - ENERGY SAVING - COOLING

NOTE: After setting the mode, allow 3 minutes before switching to another mode.

In the FAN ONLY Mode, room temperature display range is from 0°C (32°F) to 38°C (99°F).

Room temperature below 32°F, the temperature display L0.

Room temperature above 99°F, the temperature display H1.

Fan Speed Button

Used to select fan speed in sequence auto, low, medium, and high.

Timer Button

Used to set or cancel timer operation.

When the unit is in operation, you can set OFF TIMER.

When the unit is off, you can set ON TIMER.

Timer setting range is 0 to 24 hours.

If the OFF TIMER is set, the timer LED displays the remaining time to turn off the unit for only 12 seconds, then LED shifts to display set temperature. If you press TIMER button within the 12 seconds, OFF TIMER will be canceled.

If the ON TIMER is set, the timer LED displays the remaining time to turn on the unit. If you want to cancel ON TIMER, press TIMER button.









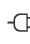

▲ ▼ Button

Used to set room temperature in COOLING mode or used to set time in TIMER mode. If the two keys are pressed at the same time, the temperature LED display will alternate between °C and °F.

NOTE: Temperature setting range is from 19°C (66°F) to 31°C (88°F).



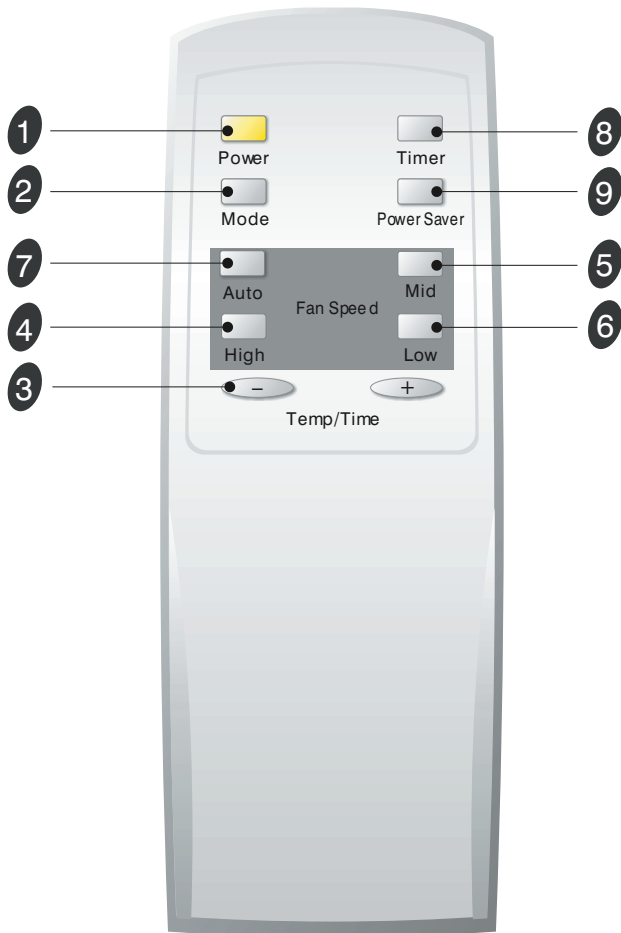
Indication symbols of LED on control panel:

- | | | | | |
|---|------------------|---|---------------|---|
|  | Auto fan speed |  | Cooling |  |
|  | Low fan speed |  | Fan only | |
|  | Medium fan speed |  | Heating | |
|  | High fan speed |  | Energy-saving | |
| | |  | Timer | |
- Display set temp
Display set timer

Above LED lights on when the relevant mode is in used.

Fig. 28 – Control Panel

Remote Control



- 1 Power BUTTON**
The appliance will be started when it is energized or will be stopped when it is in operation, if you press this button.
- 2 Mode BUTTON**
Used to select the operation mode.
- 3 + - BUTTONS**
Used to set room temperature in Cooling mode or used to set time in Timer mode.
- 4 High BUTTON**
Used to select the high fan speed mode.
- 5 Mid BUTTON**
Used to select the Mid fan speed mode.
- 6 Low BUTTON**
Used to select the Low fan speed mode.
- 7 Auto BUTTON**
Used to select the Auto fan speed mode.
- 8 Timer BUTTON**
Used to set or cancel timer operation.
- 9 Power Saver BUTTON**
Used to select the Energy-saving mode.

Fig. 29 – Remote Control

How to Insert Batteries

Step 1 —Remove battery cover according to arrow direction.

Step 2 —Insert new batteries making sure that the (+) and (-) of battery are matched correctly.

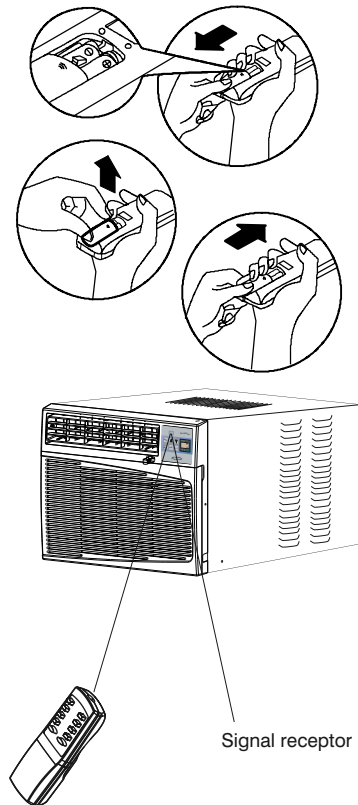
Step 3 —Reattach the cover by sliding it back into position.

NOTE:

- Use 2 LR06 AA (1.5 volt) batteries. Do not use rechargeable batteries. Replace batteries with new ones of the same type when the display becomes dim.
- If the replacement is done within 1 minute, the remote control will keep original presetting. (This function only for LCD remote control).

How to Use

To operate the room air conditioner, aim the remote control to the signal receptor. The remote control will operate the air conditioner at a distance of up to 23 ft. when pointing at signal receptor of unit.



CARE AND MAINTENANCE

When servicing the air conditioner, be sure to turn the mode switch to the "OFF" position and disconnect the power cord from the electrical outlet.

⚠ CAUTION

UNIT DAMAGE HAZARD

Failure to follow this caution may result in unit damage.

DO NOT use gasoline, benzine, thinner or other chemicals on the air conditioner as these substances may cause damage to the paint finish and deformation of plastic parts.

⚠ CAUTION

UNIT DAMAGE HAZARD

Failure to follow this caution may result in unit damage.

Never attempt to pour water directly in front of the unit as this will cause deterioration of the electrical insulation.

If the air filter becomes clogged with dust, air-flow is obstructed and reduces efficiency. The air filter should be cleaned once a month. More frequent cleaning may be necessary depending on outdoor and indoor air quality.

Air Filter Removal

The air filter is located behind the air intake front grill.

To remove the air filter, open the air inlet grille and take out the air filter.

To reinstall the air filter, reverse the above procedure.

⚠ CAUTION

UNIT DAMAGE HAZARD

Failure to follow this caution may result in unit damage and/or improper operation.

DO NOT forget to install the air filter. If the air conditioner is left to operate without the air filter, dust is not removed from the room and may cause your air conditioner to fail.

When the air filter inlet grille and cabinet are dirty, wipe with lukewarm water (below 40°C/104°F). Use of mild detergent is recommended

Cleaning the Air Filter

1. Remove dust clogged in the filter by tapping it or vacuuming clean it.
2. Wash the filter well with lukewarm water below 40°C (104°F) while rubbing lightly: To get better results, wash it with soapy water or a neutral cleaning agent.
3. Rinse the filter well using clean water then dry completely.

End-of-Season Care

1. Operate the fan alone for half a day to dry out the inside of the unit.
2. Turn off power and remove plug from all socket.
3. Clean filter.
4. Store in a dry location.

TROUBLESHOOTING GUIDE

Frequently, a problem is minor and a service call may not be necessary, use this troubleshooting guide for a possible solution.

PROBLEM	POSSIBLE CAUSE	SUGGESTED SOLUTION
Air conditioner will not operate	No power to the unit.	Check connection of power cord to power source. Check fuse or circuit breaker. Set FAN CONTROL to position other than "OFF".
Inefficient or no cooling	Dirty air filter. Inappropriate capacity for application. Blocked air flow. Power interruption, settings change too quickly, or compressor overload tripped.	Clean or replace air filter. Check with dealer to determine proper unit capacity for application. Remove obstruction from grill or outdoor louvers. Let fan run to restart compressor (in approximately 10 minutes).
Noisy unit	Loose parts. Inadequate support.	Tighten loose parts. Provide additional support to unit.
Odors	Formation of mold, mildew, or algae on wet surfaces.	Drain plug and drain base pan. Replace drain plug. Clean unit thoroughly. Remove
Water dripping outside	Condensation run-off is normal during hot and humid weather	Add flexible tubing to redirect water flow.
Water dripping inside	Unit is not properly angled to allow water to drain outside.	Unit must be installed on an angle for proper condensation run-off. Check the unit and make adjustments.
Ice or frost build-up	Low outside temperature. Unit air filter is dirty.	When outdoor temperature is approximately 65 F or below, frost may form when unit is in cooling mode. Switch unit to FAN (only) operation until frost melts. Remove and clean filter.

NOTE: If circuit breaker is tripped repeatedly, or fuse is blown more than once, contact a licensed technician.

International Comfort Products, LLC

Room Air Conditioner Limited Warranty

Subject to the conditions and exclusions listed below International Comfort Products LLC (hereinafter referred to as "ICP") warrants this product against failures due to defects in materials and workmanship.

TWO YEAR WARRANTY - ICP warrants to the initial purchaser of this product against failures due to defects in materials or workmanship under normal use and maintenance for a period of two years from the date of original purchase. ICP, through its authorized independent servicing dealers or distributors, will either repair or replace a defective product (as decided solely by ICP) free of charge to the user. ICP may replace any defective part with either a new or remanufactured part, at ICP's sole option.

THIS LIMITED WARRANTY DOES NOT INCLUDE costs incurred for diagnosing, removing, installing, shipping or transporting the product or any parts. User is responsible for these costs

LIMITATION OF WARRANTIES — ALL IMPLIED WARRANTIES AND CONDITIONS (INCLUDING IMPLIED WARRANTIES AND CONDITIONS OF MERCHANTABILITY AND FITNESS FOR A PARTICULAR PURPOSE) ARE HEREBY LIMITED IN DURATION TO THE PERIOD FOR WHICH THE APPLICABLE PRODUCT COMPONENT IS EXPRESSLY WARRANTED HEREIN. Some states or provinces do not allow limitations on how long an implied warranty lasts, so the above limitation may not apply to you. THE EXPRESS WARRANTIES MADE IN THIS WARRANTY ARE EXCLUSIVE AND MAY NOT BE ALTERED, ENLARGED OR CHANGED BY ANY DISTRIBUTOR, DEALER, OR OTHER PERSON WHATSOEVER. ICP WILL NOT BE RESPONSIBLE FOR ANY SPECIAL, INCIDENTAL OR CONSEQUENTIAL PROPERTY OR COMMERCIAL DAMAGES OF ANY NATURE WHATSOEVER. Some states or provinces do not allow the exclusion of incidental or consequential damages, so the above limitation may not apply to you. All work provided for by this warranty shall be performed during normal working hours. All replacement parts, whether new or remanufactured, assume as their warranty period only the remaining time period for which the replaced component is expressly warranted herein.

ICP WILL NOT BE RESPONSIBLE FOR:

1. Damage or failure due to failure to perform normal maintenance outlined in the Owner's Guide.
2. Instruction on methods of control and use of air conditioning unit after initial installation.
3. Damage or repairs needed as a consequence of faulty installation or application. This is the responsibility of the installer.
4. Failure to start due to voltage conditions, blown fuses, open circuit breakers, or any other damages due to the inadequacy or interruption of electrical service.
5. Damage or repairs needed as a consequence of any misapplication, abuse, unauthorized alteration, improper servicing or operation.
6. Damage as a result of floods, winds, fires, lightning, accidents, corrosive environments, or other conditions beyond the control of ICP.
7. Any parts not supplied or designated by ICP.
8. ICP products installed outside the continental U.S.A., Alaska, Hawaii, and Canada.
9. Shipping damage or damage as a result of storing or transporting the unit.

This warranty gives you specific rights, and you may also have other rights which vary from state to state or province to province.

IF YOUR UNIT DOES NOT WORK, FOLLOW THESE STEPS IN ORDER:

1. Check the things you can do yourself. These include being sure the air conditioner is plugged in an appropriate receptacle, checking the fuse or circuit breaker and ensuring its replacement or resetting, if necessary, and rereading the instruction book to ensure all controls are set properly. By doing this you can save money. Many unnecessary calls result in the serviceman doing what the owner can do for himself.
2. **CONTACT YOUR DEALER.** You may find this name printed on the product, on your invoice, or in your Homeowner's Packet.
3. **CONTACT ICP IF A SATISFACTORY SOLUTION IS NOT REACHED IN STEP 2.**

International Comfort Products LLC, 650 Heil Quaker Blvd, P.O Box 128, Lewisburg Tennessee, USA, 37091
Telephone (931) 270-4110

FOR FUTURE REFERENCE, FILL IN DETAILS OF YOUR PURCHASE. KEEP YOUR SALES RECEIPT.

Model/Catalog No. _____ Installed By: _____
Service/Discrete No. _____ Name of Owner _____
Unit Serial No. _____ Address of Installation _____
Date of Installation _____