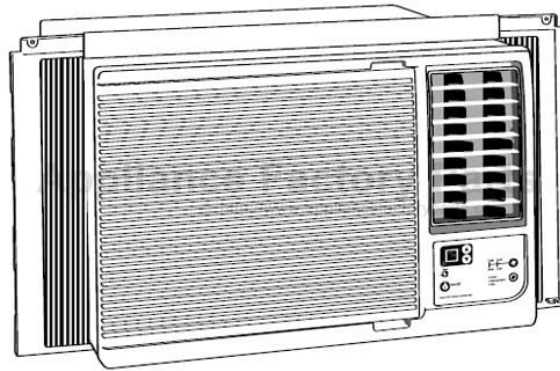


This Owner's Manual is provided and hosted by [Appliance Factory Parts](#).



# CLIMETTE CA1226 Owner's Manual

[Shop genuine replacement parts for CLIMETTE CA1226](#)



[Find Your CLIMETTE Air Conditioner Parts - Select From 63 Models](#)

----- Manual continues below -----

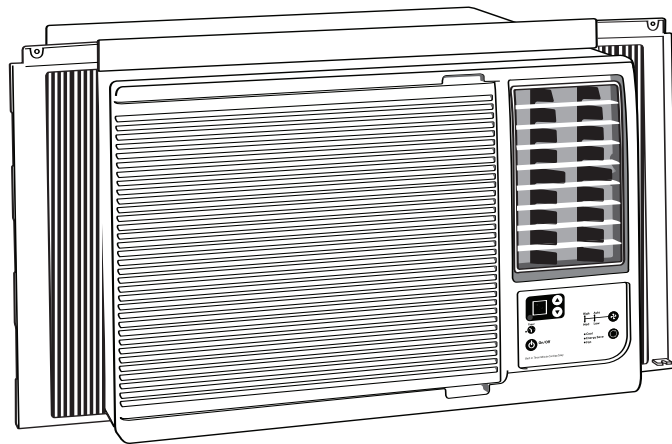
# Climette® Installation and Operating Instructions

## Room Air Conditioners for Double-Hung Windows & Thru the wall installation

### TABLE OF CONTENTS

#### ENGLISH

Important Safety Information .....	1
Installation.....	3
Operation .....	6
Maintenance .....	7
Troubleshooting .....	8
How to Obtain Warranty Service or Parts.....	9



Keep these instructions for future reference

For additional questions please call  
1-217-347-6459

Features and specifications subject to change without notice.

#### For Future Reference

Write down the model and serial numbers  
The model and serial numbers can be found on the side of the cabinet near the control panel. Use these numbers in any correspondence or service calls concerning your air conditioner.

\_\_\_\_\_  
*Model Number*

\_\_\_\_\_  
*Serial Number*


\_\_\_\_\_  
*Date of Purchase*

**RECOGNIZE SAFETY SYMBOLS, WORDS AND LABELS**

**What You Need To Know About Safety Instructions**

Warning and Important Safety Instructions appearing in this manual are not meant to cover all possible conditions and situations that may occur. Common sense, caution and care must be exercised when operating or cleaning tools and equipment.

Always contact your dealer, distributor, service agent or manufacturer about problems or conditions you do not understand.


 This is the safety alert symbol. It is used to alert you to potential personal injury hazards. Obey all safety messages that follow this symbol to avoid possible injury or death.

** DANGER**

**DANGER** indicates an imminently hazardous situation which, if not avoided, will result in death or serious injury.

** WARNING**


**WARNING** indicates a potentially hazardous situation which, if not avoided, could result in death or serious injury.


** CAUTION**

**CAUTION** indicates an potentially hazardous situation which, if not avoided, may result in minor or moderate injury.

**CAUTION**

**CAUTION** used without the safety alert symbol indicates a potentially hazardous situation which, if not avoided, may result in property damage.





** DANGER**  
 Do not store or use gasoline or other flammable vapors and liquids in the vicinity of this or any other appliance. The fumes can create a fire hazard or explosion.


** DANGER**  
**Important Grounding Requirements**

- Air conditioner has a three-prong grounding plug on the power supply cord, which must be plugged into a properly grounded three-prong wall receptacle for your protection against possible shock hazard. For models up to and including 7.5 amperes, use a grounding type wall receptacle to match the cord plug.
- For models above 7.5 amperes use a single outlet grounding type wall receptacle to match the cord plug.

**Do not operate this air conditioner without proper time delay circuit protection (circuit breaker or fuse). Refer to serial plate for proper power supply requirements.**

**Recommended Wire Sizes**  
 (As installed per building code) :

<b>PROTECTOR SIZE</b>	<b>WIRE GAUGE</b>				
<b>15 AMP</b>	<b>#14 MINIMUM</b>				
<b>20 AMP</b>	<b>#12 MINIMUM</b>	125V	250V	250V	250V
<b>30 AMP</b>	<b>#10 MINIMUM</b>	15A	20A	15A	30A

** DANGER**  
**Electrical Shock Hazard**

- Plug unit only into a grounded electrical outlet.
- Do not use an extension cord or plug adapter with this unit. Do not alter cord or plug end. Do not remove warning label on cord.
- Do not operate unit with decorative front or filter removed.
- If the air conditioner has a serial plate rating of 115 volts and greater than 7.5 amps, it must have its own fuse or circuit breaker, and no other device or unit should be operated on that fuse or circuit breaker.
- If the air conditioner has a serial plate rating of 230 volts, it must have its own fuse or circuit breaker, and no other device or unit should be operated on that fuse or circuit breaker.
- We recommend that a qualified electrician install unit in accordance with the National Electrical Code and local codes and ordinances.
- Use copper conductors of correct wire gauge and protector size only.

## Power Cord with Arc Detection Device

The power cord supplied with this air conditioner is equipped with an Arc Detection Device designed to shut off power to the unit when it senses an arc fault condition. An arc fault is an unintentional electrical discharge that occurs when electrical products or wires are damaged, aged, or improperly used. An arc fault can be potentially hazardous if left undetected.

### DANGER

- **Do not** remove or modify this plug
- **Do not** use as an on/off switch
- **Do not** use outdoors
- **Do not** push furniture against or place furniture on the electrical cord. This can trip the test switch and/or damage the cord and become a potential condition for arcing
- **Do not** attempt to repair the cord. If the cord requires replacement, call an authorized servicer.
- The Arc Detection Device is not a Ground Fault Interrupter and should not be used as such
- The Arc Detection Device contains an electronic circuit board and should not be submerged or exposed to water spray

### Resetting

If the Arc Detection Device has tripped, the reset button will pop up.

Follow these steps to reset the Arc Detection Device:

1. Unplug unit from electrical outlet
2. Press the reset button
3. Plug the unit back into electrical outlet
4. Check to see if power has returned to the unit

### Testing

You should test the Arc Detection Device equipped power cord monthly, after every major electrical storm, or if power to your Room Air Conditioner has been interrupted.

Follow these steps to test the Arc Detection Device:

1. Unplug unit from electrical outlet
2. Press the reset button
3. Plug the unit back into electrical outlet
4. Press test button. Unit should trip and reset button will pop up.
5. Press reset button again for use

If above test fails, stop using the air conditioner and contact customer service by calling the following toll-free number:  
1-866-629-8441

### WARNING

Use two or more people to move and install air conditioner. Failure to do so can result in back or other injury.

### CAUTION

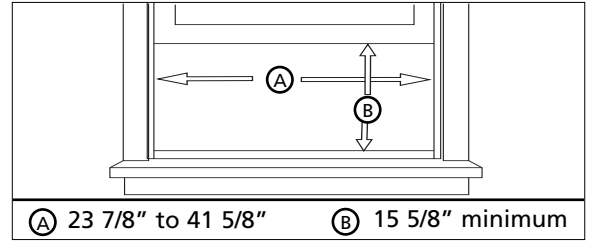
- **Do not** cut, alter or remove any of the expanded polystyrene (styrofoam) inside this air conditioner.
- **Do not** introduce objects in the air discharge area. This could cause permanent damage.
- **Do not** pour liquids on the air conditioner as this could cause a malfunction. With the unit unplugged, use a damp cloth for cleaning the unit.

### CAUTION

- **Do not** use strong solvents to clean the air conditioner.
- Clean the air conditioner filter every two weeks to avoid overheating caused by air obstruction. Do not operate without filter.
- **Do not** obstruct the air intake area of your air conditioner, as this could cause overheating, thus activating the unit's security switch and shutting off the unit.
- **Do not** block air circulation to outside louvers of cabinet.
- **Do not** block air flow inside with blinds, curtains, or furniture, or outside with shrubs, enclosures, or other buildings.
- **Do not** run the air conditioner with an outside protective cover in place. This could result in fire or mechanical damage within the air conditioner.
- Carefully inspect the location where the air conditioner will be installed. Be sure it will support the weight of the unit over an extended period of time.

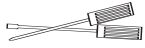
## Window Requirements:

This air conditioner is factory prepared for installation in standard double-hung windows with actual opening width of 26 7/8" to 41 5/8" and clear, vertical opening of 15 5/8" minimum from bottom of sash to sill. Unit can be installed in 23 7/8" wide window, if cabinet side seals are removed.

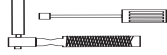


(A) 23 7/8" to 41 5/8" (B) 15 5/8" minimum

## Tools Needed



Screwdrivers



Ratchet or Driver with 1/4" socket



Carpenter's Level

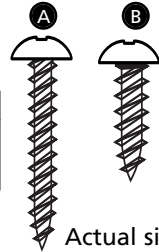


Tape Measure

## Fastener Identification

Installation Parts Kit contents:

Item	Description	Qty
(A)	1" wood screw	1
(B)	5/8" wood screw	4

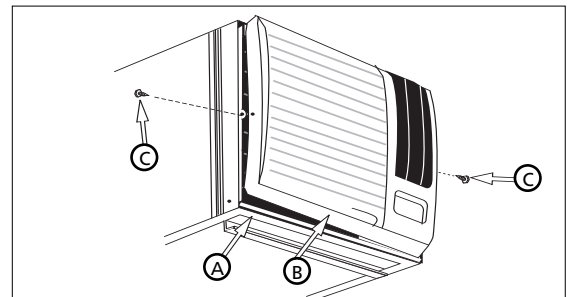


Actual size

## Window Installation

### Decorative Front Removal

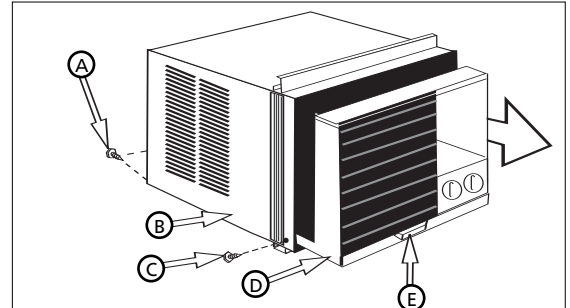
1. Remove the 3/8" phillips screws on either side of the cabinet
2. Gently pull forward while grasping both sides of the decorative front.



(A) Cabinet (B) Decorative Front (C) 3/8" phillips screw

### Removing the Chassis

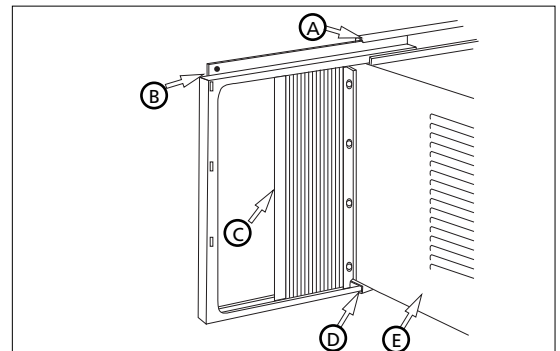
1. Remove the two (2) shipping screws from the rear bottom side of the cabinet. These shipping screws may be discarded.
2. Remove the two (2) anti-theft screws from the bottom front sides of the cabinet. **RETAIN THESE SCREWS**, they will be replaced later in the installation.
3. Slide the chassis out of the cabinet by grasping the base pan handle and pulling forward while bracing the top bar.



(A) Shipping Screws (B) Cabinet (C) Anti-theft screws (D) Chassis (E) Base pan handle

### Filler Panel Frame Installation

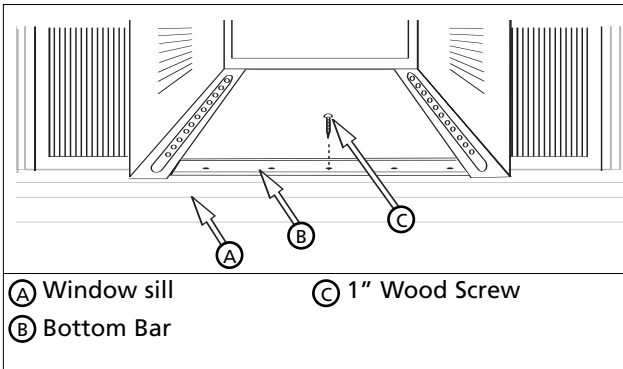
1. Slide the filler panel frame onto the air conditioner cabinet using the tracks on the top bar and bottom bar of the unit. Slide the frame as close to the air conditioner as possible so that the curtain locks into place.
2. Gently pull the frame out until it is the correct length for your application.



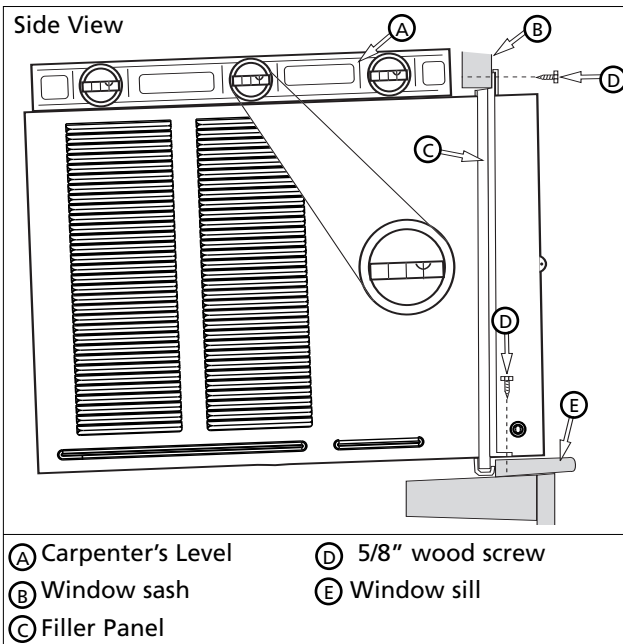
(A) Top Bar (B) Filler Panel Frame (C) Filler Panel Locking Edge (D) Bottom Bar (E) Cabinet

### CAUTION

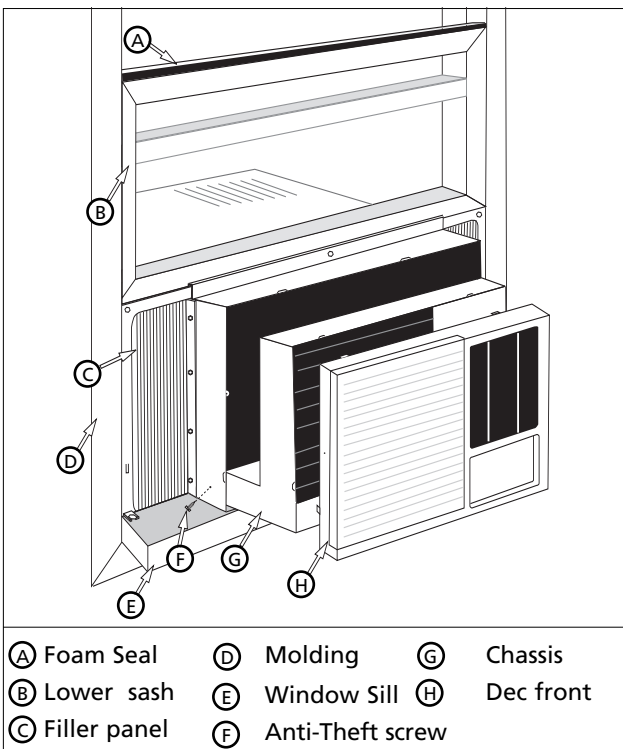
Use caution when working around exposed sharp edges of the cabinet and sharp coils to avoid injury or torn clothing.



(A) Window sill (B) Bottom Bar (C) 1" Wood Screw



(A) Carpenter's Level (B) Window sash (C) Filler Panel (D) 5/8" wood screw (E) Window sill



(A) Foam Seal (B) Lower sash (C) Filler panel (D) Molding (E) Window Sill (F) Anti-Theft screw (G) Chassis (H) Dec front

## Window Installation (cont.)

1. Open window, by raising lower window sash, and mark the center of window sill. Carefully place cabinet in window and align center hole on the bottom bar with the center mark on the window sill.
2. Close lower window sash until it touches behind the top bar. (Do not release your grip on the cabinet until the lower window sash is in its final position).
3. Attach the cabinet to the window sill by driving one 1" long wood screw through the bottom bar into the window sill.

Be sure cabinet maintains an downward pitch. Air conditioner should slant slightly downward on the outside as shown by 1/2 a bubble off on a carpenter's level. This outward pitch prevents water from entering the room.

## Securing the Filler Panels

4. Slide filler panels outward until they touch window sash tracks.
5. Secure top of filler panels by driving a 5/8" wood screw through each top mounting hole into window sash.
6. Secure bottom of filler panels by driving a 5/8" wood screw into window sill through each filler panel tab.
7. Install chassis into cabinet.

### **⚠ WARNING**

Do not obstruct the air intake area of your air conditioner, as this could cause overheating, thus activating the units security switch and shutting off the unit. Do not block airflow inside with blinds, curtains, or furniture. Do not block airflow outside with shrubs, enclosures, or other buildings.

## Installing the Chassis into the Cabinet

1. Slide the chassis into the cabinet.
2. Replace the two anti-theft screws at the bottom front sides of cabinet.
3. To replace the decorative front, line up the top tabs and sides, and gently press into position. Reattach the screws on both sides of the decorative front. Make sure the power cord aligns with the power cord slot on the bottom of the decorative front. Make sure the decorative front is secure before reconnecting the plug and operating the unit.
4. Cut plastic foam seal to width of window and install between upper and lower window sash.
5. Use latex or silicone sealant (not supplied) to fill any minor openings.

### **CAUTION**

Do not drill a hole in the bottom pan. Unit is designed to operate with approximately 1/2" of water in bottom pan.

## Installing Cabinet in Minimum Width Window

1. Remove filler panels on air conditioner cabinet.
2. Refer to steps 1 through 3 of Window Installation instructions.
3. Close window until it touches behind air conditioner top bar.
4. Fasten top bar to window frame using 5/8" washer head screw.
5. If filler is required on sides of air conditioner, cut plastic foam seal to size and fill both sides.
6. Use silicone or latex sealant (not supplied) to fill any minor openings.
7. Install chassis into cabinet.

**Consult your authorized dealer or importer for alternative installation instructions.**

## Through-the-wall Installation

This air conditioner is designed as a slide-out type chassis, making it possible to install it through-the-wall in both existing and new construction. We recommend that this type of installation be performed with professional assistance.

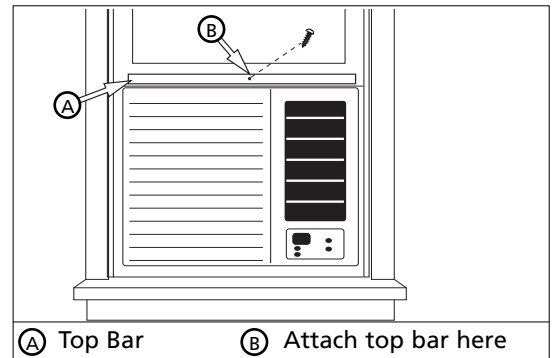
- **IMPORTANT:** This appliance must be installed according to all applicable electrical and building codes and ordinances.
- It is recommended that you have help to install your unit and that you use proper lifting technique to avoid personal injury.
- It is important that you inspect the condition of the wall where the air conditioner will be installed.
- Be sure the wall can support the weight of the unit.
- All cabinet louvers **MUST BE** on the outdoor side of the wall. **DO NOT BLOCK SIDE LOUVERS.**
- The cabinet must be installed level from side-to-side and with a downward tilt from inside to outside.

1. First remove the Decorative front panel and chassis from the cabinet, then remove top bar from the cabinet.
2. Determine the size of the opening for a wood frame by adding 1/8" to the width and height of the cabinet. Measure height from top of cabinet to bottom of bar. Add this measurement to the thickness of wood used to build the frame. This will determine the size of wall opening needed. Minimum 1" thick lumber is recommended when building the frame. When determining finish frame thickness, be sure not to cover side louvers on the cabinet.
3. Install the finished frame in the wall opening square and level, nail or screw it securely to the wall and place the cabinet into the framed wall opening.
4. Make sure cabinet projects into the roomside of the wall 1 1/4" at the top and 1 1/2" at the bottom to ensure proper tilt and access to the anti-theft screw, then fasten cabinet to the frame by drilling twelve (12) 1" wood screws (not supplied) through the cabinet and into the frame. (Fig. 1 & 2)

If installation is made in a building with brick veneer construction, a steel angle lintel must be used to support the bricks above the cabinet.(Fig.3)

5. Install a 3/4" X 1 1/2" wood filler strip between the bottom bar and the interior, caulk both top and bottom of this strip. After cabinet is installed caulk all openings, inside and outside between finish frame and cabinet to prevent moisture from getting to the interior of the wall. Use of flashing (dripail) will further prevent water from dripping inside the wall.

6. Install chassis into cabinet.



(A) Top Bar (B) Attach top bar here

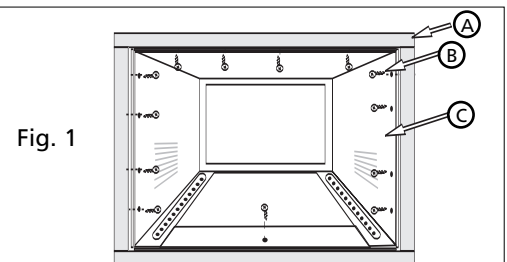


Fig. 1

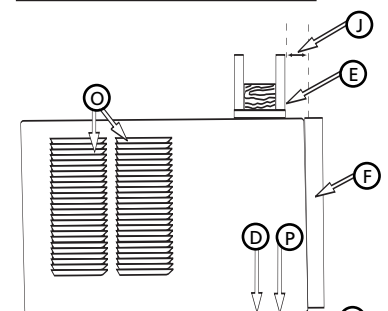


Fig. 2

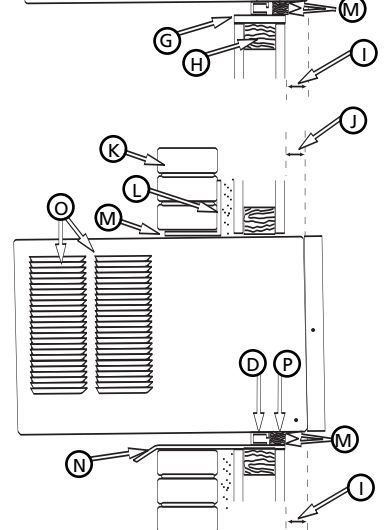


Fig. 3

- |  |                          |
|--|--------------------------|
| (A) Wood frame   | (H) 2" Wood frame        |
| (B) 1" wood screws   | (I) 1 1/2" space         |
| (C) Cabinet  | (J) 1 1/4" space         |
| (D) Bottom Bar   | (K) Brick veneer         |
| (E) Interior wall  | (L) Lintel angle         |
| (F) Decorative Front   | (M) Caulking             |
| (G) Minimum 1x6 wood support (nailed or screwed to wood frame) | (N) Flashing (drip rail) |
|  | (O) Side louvers         |
|  | (P) Wood filler strip    |

## Power Control

The Power Control turns the unit on and off.

## Set Temperature/ Timer Display

Shows the set temperature when the unit is in operation and hours when the timer is being set. THE TEMPERATURE DISPLAY ONLY SHOWS THE SET TEMPERATURE, NOT THE ACTUAL ROOM TEMPERATURE.

## Temperature/ Timer Hour Controls

These buttons are used to raise or lower the set temperature in increments of 1° from 66°F to 88°F. By depressing both buttons at once, the display will toggle between Celsius and Fahrenheit. When the timer is being set, these buttons are used to change the hour setting in increments of 1 from 00 to 24.

## Mode Control

A green light will indicate which mode is currently being utilized.

Cool Mode –

The unit will circulate and cool the air.

Heat Mode (Heat Models Only) –

The unit will circulate and heat the air.

Heater Safety Feature- When heater is powered off, low fan will automatically stay on and run for 60 seconds to ensure the removal of residual heat, meanwhile, the Low Fan LED blinks until the low fan stops.

Fan Mode –

The unit will only circulate the air.

Energy Saver Mode –

(The energy saver mode is designed to operate with Cool mode only). The fan will switch from the set fan speed to Low whenever the compressor turns off in response to the thermostat. When the compressor cycles back on, the unit will return to the original fan setting. Speeds will change automatically as the temperature in the room changes.

## Fan Speed Control - High, Medium, Low and Auto

The settings are adjusted with the Fan Speed Control, each time the button is depressed it changes the setting. A green light will indicate which setting is currently being used.

When the Auto feature is selected while the air conditioner is in the Cool or Heat mode, the fan speeds will change automatically as the temperature in the room changes. In Cool Mode when the room reaches 7° or more above the set temperature High Fan will be used, 4° or less above the set temperature will use Low fan. In Heat Mode when the room reaches 7° or more below the set temperature High fan will be used, 4° or less below the set temperature will use Low fan. At all other times the fan will use Medium fan.

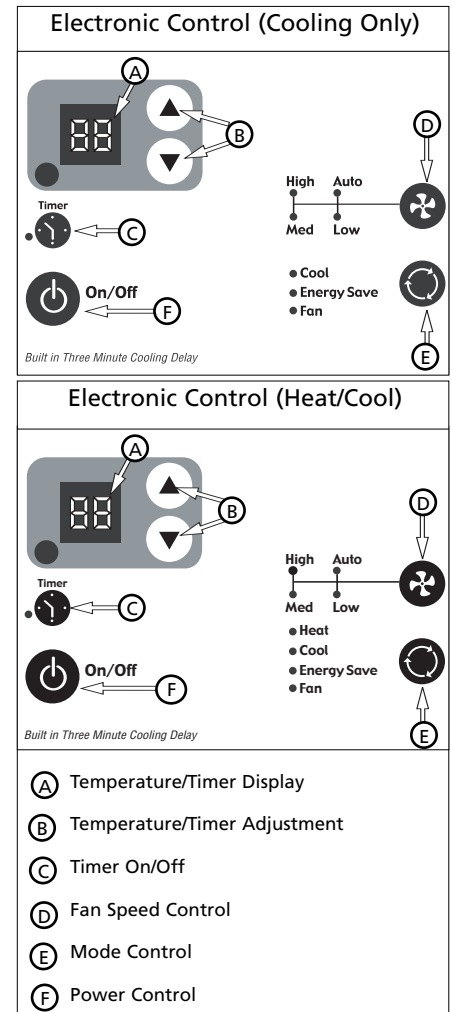
## Timer Control (The timer can be set to either turn the unit on or off.)

### To automatically START the unit using the Timer mode:

1. Push the timer button while the power is OFF. The display will read 00. Adjust the display to show the desired number of hours before START-UP using the Temperature/Timer adjustment arrows.
2. The display will show the amount of time, in hours, remaining until START-UP.
3. To exit Timer mode, push the Timer button.
4. A green light next to the Timer button indicates that the timer is set.

### To automatically SHUT-DOWN the unit using the Timer mode:

1. Push the timer button while the power is ON. The display will read 00. Adjust the display to show the desired number of hours before SHUT-DOWN using the Temperature/Timer adjustment arrows. (The display will automatically return to the set temperature after 10 seconds.)
2. To display the amount of time left until SHUT-DOWN, push the Timer button once.
3. To exit Timer mode, push the Timer button twice.
4. A green light next to the Timer button indicates that the timer is set.



Built-in three minute timing delay.

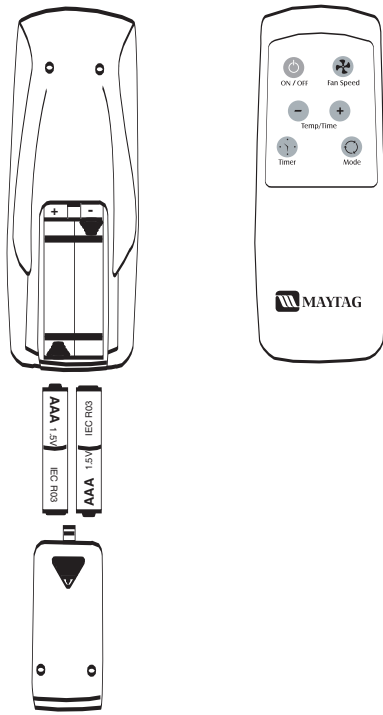
If this electronic unit will not respond to touch pad or remote control commands, it is necessary to unplug the unit from the electrical outlet for five seconds and then plug the unit back in.

### Auto restart feature:

In the event of a power failure, this feature allows the unit to resume operation once power has been restored, retaining the most recent settings

**WARNING**

Heat/Cool models or units with electric heat are designed to be used only as a supplemental heat source. They should be used in addition to regular heating systems and never as the primary source of heat.



## Air Conditioner Remote Control

The functions work the same as your air conditioner's touch controls.

**Batteries:** Remove the cover on the back of the remote controller and insert the batteries with the (+) and (-) poles pointing in the proper direction.

### ⚠ WARNING

- Use only AAA or IEC R03 1.5V batteries.
- Remove the batteries if the remote controller is not used for a month or longer.
- Do not mix alkaline, standard (carbon - zinc), or rechargeable (nickle-cadmium) batteries.
- Do not attempt to recharge the supplied batteries
- All batteries should be replaced at the same time.
- Do not dispose of the batteries in a fire as they may explode.
- Do not mix old and new batteries.
- Do not install the batteries with the polarity (+/-) reversed.
- Keep batteries and other things that could be swallowed away from young children. Contact a doctor immediately if an object is swallowed.

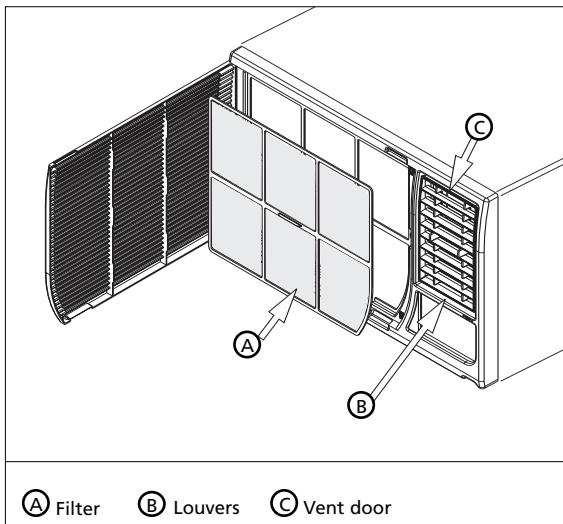
## Directing Airflow

Unit is engineered with adjustable louvers to direct discharge airflow. Louvers are manually adjusted by moving levers in direction of desired airflow.

## Cleaning the Air Filter

**Clean the filter every two weeks**

1. Turn Master Control to OFF.
2. Remove the air filter by opening the air intake panel on the decorative front and pull it out of the unit.
3. Wash in hot soapy water, rinse and shake dry.
4. Replace the filter, with the front of the filter toward you.
5. To dry the filter thoroughly, run your unit for a few minutes. Remember, only a clean filter works properly and delivers top efficiency at every setting.



(A) Filter (B) Louvers (C) Vent door

### CAUTION

Failure to keep air filter clean will result in poor air circulation. DO NOT operate without filter. This can render the unit inoperative.

Proper use and care of your air conditioner will help ensure longer life of the unit. It is recommended to annually inspect and clean the coils and condensate water passages. Expense of annual inspection is the consumer's responsibility.

**Troubleshooting Guide** To save time and expense, check the following before calling an authorized service station.

Occurrence	Possible Cause	Solutions
Air conditioner will not operate	<ul style="list-style-type: none"> <li>• Wall plug disconnected.</li> <li>• House fuse blown or circuit breaker tripped.</li> <li>• Unit turned off and then on too quickly.</li> <li>• Thermostat set too low for cooling.</li> </ul>	<ul style="list-style-type: none"> <li>• Push plug firmly into wall outlet.</li> <li>• Replace fuse with time delay type or reset circuit breaker.</li> <li>• If air conditioner is turned off, wait 3 minutes before restarting.</li> <li>• Adjust thermostat to higher setting for cooling.</li> </ul>
Air from unit does not feel cold enough	<ul style="list-style-type: none"> <li>• Thermostat set too warm.</li> <li>• Room temperature below 70°F.</li> </ul>	<ul style="list-style-type: none"> <li>• Set thermostat to colder temperature.</li> <li>• Cooling may not occur until room temperature rises above 70°F.</li> </ul>
Air conditioner cooling, but room is too warm — ice forming on cooling coil behind decorative front	<ul style="list-style-type: none"> <li>• Outdoor temperature below 70°F.</li> <li>• Dirty air filter — air restricted.</li> </ul>	<ul style="list-style-type: none"> <li>• To defrost the coil set thermostat to warmer position.</li> <li>• Clean filter. See "Cleaning the Air Filter" section.</li> </ul>
Air conditioner cooling, but room too warm — NO ice forming on cooling coil behind decorative front	<ul style="list-style-type: none"> <li>• Dirty air filter — air restricted.</li> <li>• Thermostat set too warm.</li> </ul>	<ul style="list-style-type: none"> <li>• Clean air filter. Refer to "Cleaning Air Filter" section.</li> <li>• Set thermostat to colder setting.</li> </ul>
Noise when unit is cooling	<ul style="list-style-type: none"> <li>• Air movement sound.</li> <li>• Sound of fan hitting water-moisture removal system.</li> <li>• Window vibration — poor installation.</li> </ul>	<ul style="list-style-type: none"> <li>• The sound of rushing air is normal. If too loud, turn selector to lower fan setting.</li> <li>• This is normal when humidity is high. Close doors, windows and registers.</li> <li>• Refer to installation instructions — check with installer.</li> </ul>
Water dripping inside when unit is cooling	<ul style="list-style-type: none"> <li>• Improper installation.</li> </ul>	<ul style="list-style-type: none"> <li>• Tilt air conditioner slightly to the outside to allow water drainage. Refer to installation instructions — check with installer.</li> </ul>
Water dripping outside when unit is cooling	<ul style="list-style-type: none"> <li>• Unit removing large quantity of moisture from humid room.</li> </ul>	<ul style="list-style-type: none"> <li>• This is normal during excessively humid days.</li> </ul>

## **How to Obtain Warranty Service**

Service for your Room Air Conditioner will be provided by CareCo through its network of Authorized Independent Servicers nationwide.

Note: Before calling for service, carefully read the "Installation and Operating Instructions" booklet. Then if you need service:

1. Call a CareCo authorized service contractor and advise of the model number, serial number, date of purchase and the nature of your complaint. Service will be provided during normal working hours. Contact your dealer for the name of an authorized service contractor, if unknown to you.

2. If your dealer is unable to give you the name of a service contractor or if you need other assistance, call CareCo at

**1-800-332-6658**

or write:

CareCo

415 Wabash Avenue

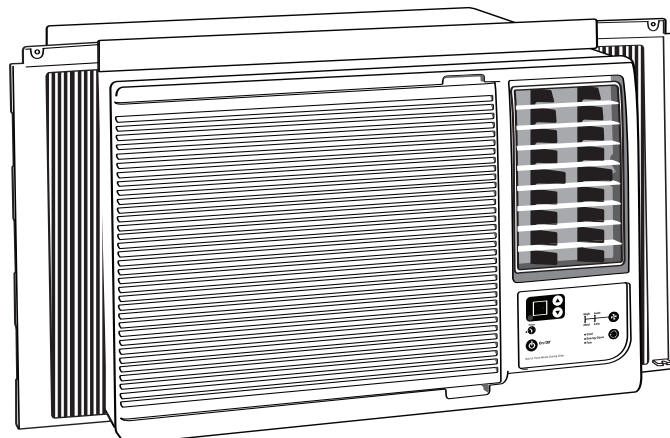
Effingham, IL 62401

## **Proof of Purchase Date**

It is the responsibility of the consumer to establish the original purchase date for warranty purposes. We recommend that a bill of sale, canceled check or some other appropriate payment record be kept for that purpose.

# Climette® Manual de instalación y funcionamiento

## Acondicionadores de aire ambientales para ventanas de guillotina y empotrados en la pared



### ESPAÑOL

Instrucciones importantes de seguridad.....	1
Instalación.....	3
Funcionamiento .....	6
Mantenimiento .....	8
Localización y Solución de Averías .....	9
Cómo obtener servicio o piezas bajo la garantía ..	10

Guarde estas instrucciones para referencia futura

Para mayor información por favor llame al  
1-217-347-6459

Las características y especificaciones están sujetas a  
cambio sin previo aviso.

### Para referencia futura

#### Anote los números de modelo y series

Encontrará los números de modelos y series en la mano izquierda del panel decorativo. Use estos números en cualquier correspondencia o llamadas de servicio respecto a su aire acondicionado.

Modelo No. \_\_\_\_\_

Número de serie \_\_\_\_\_

Fecha de la compra \_\_\_\_\_

## Reconozca los símbolos, advertencias y etiquetas de seguridad

### Información sobre las Instrucciones de Seguridad

Las advertencias e instrucciones importantes sobre seguridad que aparecen en este manual no están destinadas a cubrir todas las posibles circunstancias y situaciones que puedan ocurrir. Se debe ejercer sentido común, precaución y cuidado cuando instale, efectúe mantenimiento o cuando use este distribuidor personal de bebidas.

Siempre póngase en contacto con su distribuidor, agente de servicio o fabricante si surgen problemas o situaciones que usted no comprenda.

**⚠** Éste es el símbolo de alerta de seguridad. Sirve para advertir al usuario de un posible riesgo para su integridad física. Siga todos los mensajes de seguridad que figuren después de este símbolo para evitar lesiones o incluso la muerte.

#### **⚠ PELIGRO**

**PELIGRO** indica un riesgo el cual, si no se evita, causará la muerte o una herida grave.

#### **⚠ ADVERTENCIA**

**ADVERTENCIA** indica un riesgo el cual, si no se evita, puede causar la muerte o una herida grave.

#### **⚠ PRECAUCIÓN**

**PRECAUCIÓN** indica un riesgo, el cual, si no se evita, puede causar heridas menores o moderadas.

#### **PRECAUCIÓN**

**PRECAUCIÓN** cuando se usa sin el símbolo de alerta, indica una situación que podría resultar en el daño del equipo.

#### **⚠ PELIGRO**

No guarde ni use gasolina u otros vapores y líquidos inflamables en la vecindad de este o cualquier otro artefacto. Los vapores emitidos pueden crear un riesgo de incendio o explosión.





#### **⚠ PELIGRO**

##### Requerimientos Importantes para la Puesta a Tierra

- El cordón de alimentación del acondicionador de aire tiene un enchufe de tres clavijas con puesta a tierra el cual debe ser enchufado en un tomacorriente mural puesto a tierra de tres alvéolos para su protección contra posible riesgo de choque eléctrico. Para los modelos de hasta 7,5 amperes o menos, use un tomacorriente mural del tipo con puesta a tierra que tenga la misma configuración que el enchufe del cordón de alimentación.
- Para los modelos de más de 7,5 amperes, use un tomacorriente mural sencillo con puesta a tierra que tenga la misma configuración que el enchufe del cordón de alimentación.  
**No** haga funcionar este acondicionador de aire sin protección adecuada del circuito de retardo. Consulte la placa de serie para los requerimientos apropiados de alimentación eléctrica.

#### Tamaños Recomendados de los conductores del circuito

(Instalados según el código de construcción) :

CAPACIDAD DE LOS FUSIBLES	CALIBRE DE LOS CONDUCTORES				
15 AMP	#14 COMO MINIMO	125V	250V	250V	250V
20 AMP	#12 COMO MINIMO	15A	20A	15A	30A
30 AMP	#10 COMO MINIMO				

#### **⚠ PELIGRO**

##### Riesgo de Choque Eléctrico

- Enchufe el aparato **solamente** en un tomacorriente eléctrico puesto a tierra.
- Con este aparato **no use** un cordón de extensión ni un adaptador de enchufe.
- **No** haga funcionar el acondicionador de aire sin el panel delantero.
- Si el acondicionador de aire tiene una potencia nominal indicada en la placa de serie de 115 voltios y de más de 7,5 amperes, es necesario que sea protegido con su propio fusible o disyuntor y ningún otro dispositivo debe usar ese mismo disyuntor o fusible.
- Si el acondicionador de aire tiene una potencia nominal en la placa de serie de 230 voltios, es necesario que sea protegido con su propio fusible o disyuntor y ningún otro aparato debe usar ese mismo disyuntor o fusible.
- Recomendamos que un electricista calificado instale el acondicionador de aire de acuerdo con el código eléctrico nacional y los códigos y reglamentos locales.
- Use **solamente** conductores de cobre y fusibles de calibre y capacidad adecuada.

## Cordón con dispositivo de detección de arco eléctrico

El cordón eléctrico proporcionado con este acondicionador de aire viene equipado con un dispositivo de detección de arco eléctrico diseñado para apagar el suministro eléctrico a la unidad cuando detecta una condición de falla por arco eléctrico. Una falla por arco eléctrico es una descarga eléctrica accidental cuando los artefactos o cables eléctricos están dañados, son antiguos o no se han usado de manera adecuada. Una falla por arco eléctrico puede ser peligrosa si no se detecta a tiempo.

### PELIGRO

- **No** retire o modifique este enchufe
- **No** lo utilice como un interruptor de encendido/apagado
- **No** lo use en el exterior
- **No** coloque muebles contra o sobre el cordón eléctrico. Esto puede disparar el interruptor de prueba y/o dañar el cordón, además de crear una condición potencial de arco eléctrico
- **No** intente reparar el cordón. Si necesita reemplazar el cordón, llame a un técnico de servicio autorizado
- El dispositivo de detección de arco eléctrico no es un interruptor de falla de conexión a tierra y no se debe usar como tal
- El dispositivo de detección de arco eléctrico contiene un tablero de circuitos electrónico y no se debe sumergir o exponer al agua

## Restablecimiento

Si el dispositivo de detección de arco eléctrico se ha disparado, el botón 'RESET' (Restablecer) se levantará.

Siga los siguientes pasos para restablecer el dispositivo de detección de arco eléctrico:

1. Desenchufe la unidad del tomacorriente
2. Oprima el botón 'RESET' (Restablecer)
3. Enchufe la unidad nuevamente en el tomacorriente
4. Verifique que llega energía eléctrica a la unidad

### Pruebas

Realice pruebas del dispositivo de detección de arco eléctrico una vez al mes, después de cada tormenta eléctrica grande, o si se ha interrumpido el suministro eléctrico al acondicionador de aire de habitación.

Siga los siguientes pasos para probar el dispositivo de detección de arco eléctrico:

1. Desenchufe la unidad del tomacorriente
2. Oprima el botón 'RESET' (Restablecer)
3. Enchufe la unidad nuevamente en el tomacorriente
4. Oprima el botón de prueba. El dispositivo debe dispararse y el botón 'RESET' (restablecer) debe levantarse.
5. Oprima el botón 'RESET' (Restablecer) nuevamente para activar la unidad

Si la prueba anterior falla, deje de usar el acondicionador de aire y póngase en contacto con servicio al cliente.

### ⚠ ADVERTENCIA

Emplee a dos o más personas para mover e instalar el acondicionador de aire.

### PRECAUCIÓN

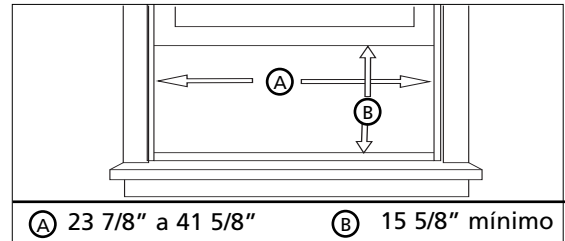
- No corte, modifique ni retire ningún pedazo de poliestireno expandido (espuma blanca) situado dentro de este acondicionador de aire.
- No introduzca objetos en el área de descarga del aire. Esto puede causar daño irreparable a su acondicionador de aire.
- No vierta líquidos de limpieza en el acondicionador de aire pues esto puede causar un malfuncionamiento. Use un paño húmedo para limpiarlo.

### PRECAUCIÓN

- Evite usar solventes fuertes para limpiar el acondicionador de aire.
- Limpie el filtro del acondicionador de aire cada dos semanas para evitar sobrecalentamiento causado por obstrucción del aire.
- No obstruya el área de entrada del aire de su acondicionador, pues esto puede causar sobrecalentamiento, lo cual activará el interruptor de seguridad y apagará el aparato.
- No bloquee la circulación del aire hacia las rejillas de ventilación exteriores del gabinete.
- No obstruya el flujo del aire hacia el interior con persianas, cortinas o muebles o hacia el exterior con arbustos, recintos u otros edificios.
- No haga funcionar el acondicionador de aire teniendo instalada la cubierta protectora exterior. Esto podría resultar en daño mecánico dentro del acondicionador de aire.
- Soporte adecuado de la pared para el peso del acondicionador de aire durante un período de tiempo prolongado.

## Dimensiones de la Ventana

Este acondicionador de aire ha sido preparado en la fábrica para su instalación en ventanas de guillotina estándares con aberturas de 26,875" a 41,625" de ancho y una abertura vertical de por lo menos 15,625" mínimo desde la parte inferior de la hoja móvil hasta el umbral. El acondicionador de aire puede ser instalado en ventanas de 24" de ancho, si se retiran los paneles de sellado laterales del gabinete.



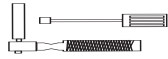
A 23 7/8" a 41 5/8"

B 15 5/8" mínimo

## Herramientas Necesarias



Destornilladores



Llave de tuercas de trinquete



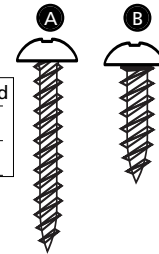
Nivel



Cinta de medir

## Identificación de Tornillo

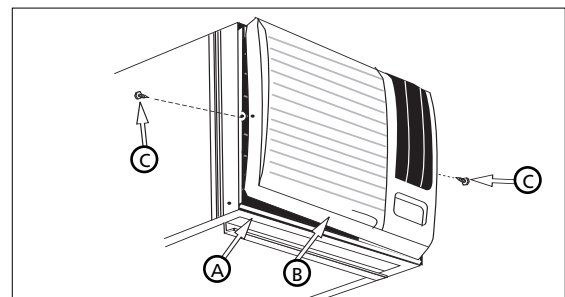
Partida	Nombre la parte	Cantidad
A	Tornillo de madera de 1"	1
B	Tornillo de madera de 5/8"	4



## Instalacion en la ventana

### Desmontaje del Panel Decorativo Delantero

1. Retire los tornillos que se encuentran a ambos lados del gabinete.
2. Tire suavemente hacia adelante mientras sostiene los dos lados del frente decorativo.



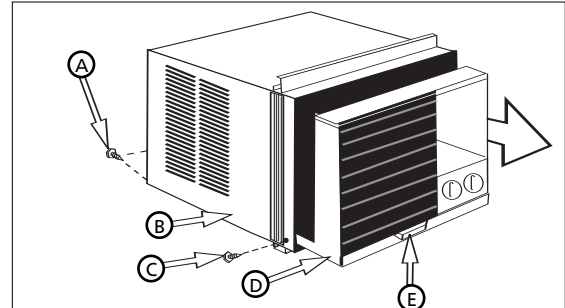
A Gabinete

C Delantero Tornillo

B Panel Decorativo

### Desmontaje del Chasis

1. Retire los dos (2) tornillos de embarque\* del costado inferior trasero del gabinete.
2. Retire los dos (2) tornillos antirrobo de ambos lados delanteros inferiores del gabinete. CONSERVE ESTOS TORNILLOS, ellos serán usados posteriormente en la instalación.
3. Deslice el chasis fuera del gabinete sujetando la manija de la bandeja inferior y tirando hacia adelante a la vez que sujeta el barra superior.



A Tornillos de embarque

D Chasis

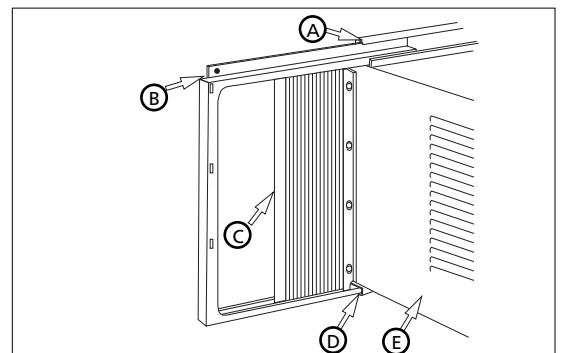
B Gabinete

E Manija de la bandeja inferior

C Tornillos antirrobo\*

### Instalación del Marco del Panel de Relleno

1. Deslice el marco del panel de relleno en el gabinete del acondicionador de aire usando las guías que se encuentran arriba y abajo de la unidad. Deslice el marco lo más cerca posible del acondicionador de aire para que la cortina quede trabada en la posición adecuada.
2. Tire suavemente del marco hasta obtener la longitud que necesita para realizar la instalación.



A Barra superior

D Barra inferior

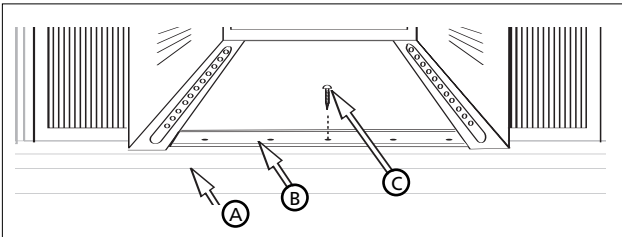
B Marco del Panel de relleno

E Gabinete

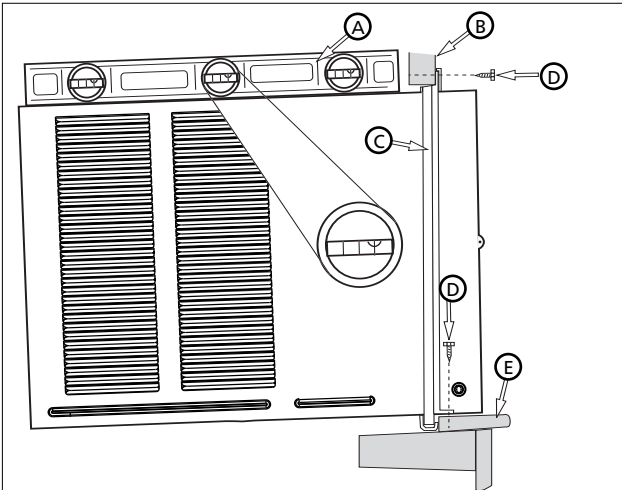
C Borde de fijación

## PRECAUCIÓN

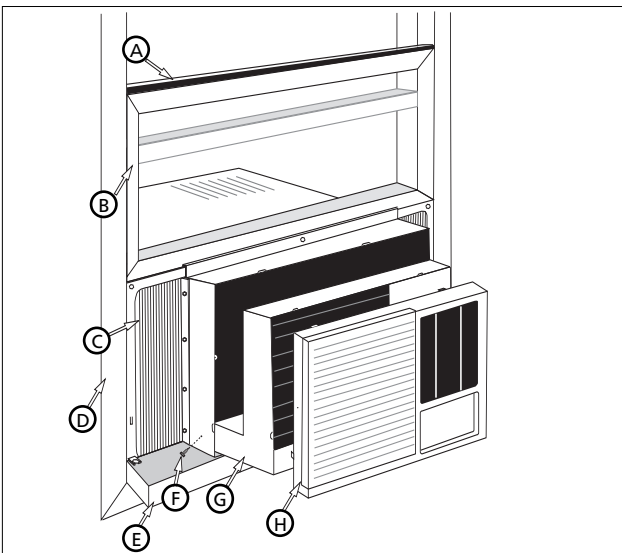
Tenga cuidado cuando esté trabajando alrededor de las esquinas afiladas del gabinete ara evitar heridas o ropas rasgadas.



- (A) Umbral de la ventana (C) Tornillo de 1"
- (B) Barra inferior



- (A) Nivel (D) Tornillo de madera de 5/8"
- (B) Hoja móvil de la ventana (E) Umbral de la ventana
- (C) Panel de relleno



- (A) Espuma de relleno (D) Moldura (G) Chasis
- (B) Hoja móvil inferior (E) Umbral de la ventana (H) Panel decorativo delantero
- (C) Panel de relleno (F) Tornillo antirrobo

### Instalacion en la Ventana

1. Abra la ventana y marque el centro del umbral de la ventana. Coloque cuidadosamente el gabinete en la ventana y alinee el agujero central de la barra inferior con la marca central trazada en el umbral de la ventana.
2. Cierre la hoja móvil inferior de la ventana hasta que toque el aparato detrás de la barra de retén superior. (No suelte el gabinete hasta que la hoja móvil inferior esté en su posición final).
3. Instale el gabinete en el umbral de la ventana colocando un tornillo de 1" de largo a través de la barra de unión inferior hacia el umbral de la ventana.

### Aseguridad de los paneles de relleno

4. Deslice los paneles de relleno hacia afuera hasta que toquen los rieles de la hoja móvil de la ventana.
5. Asegure la parte superior de los paneles de relleno instalando tornillos de 5/8" de largo a través de los agujeros de montaje superiores hacia el umbral de la ventana.
6. Asegure la parte inferior de los paneles instalando tornillos de 5/8" de largo en el umbral de la ventana a través de las lengüetas del panel de relleno.
7. Instale el chasis en el gabinete (página 15).

### ⚠ ADVERTENCIA

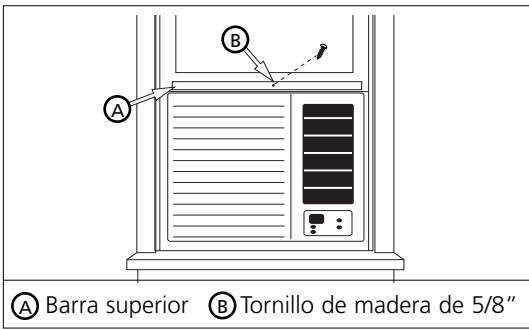
No obstruya el área de la entrada del aire de su acondicionador, pues esto puede causar sobrecalentamiento, lo cual activará el interruptor de seguridad y apagará el aparato. No bloquee el flujo del aire hacia el interior con persianas, cortinas o muebles o hacia el exterior con arbustos, recintos u otros edificios

### Instalación del Chasis en el Gabinete

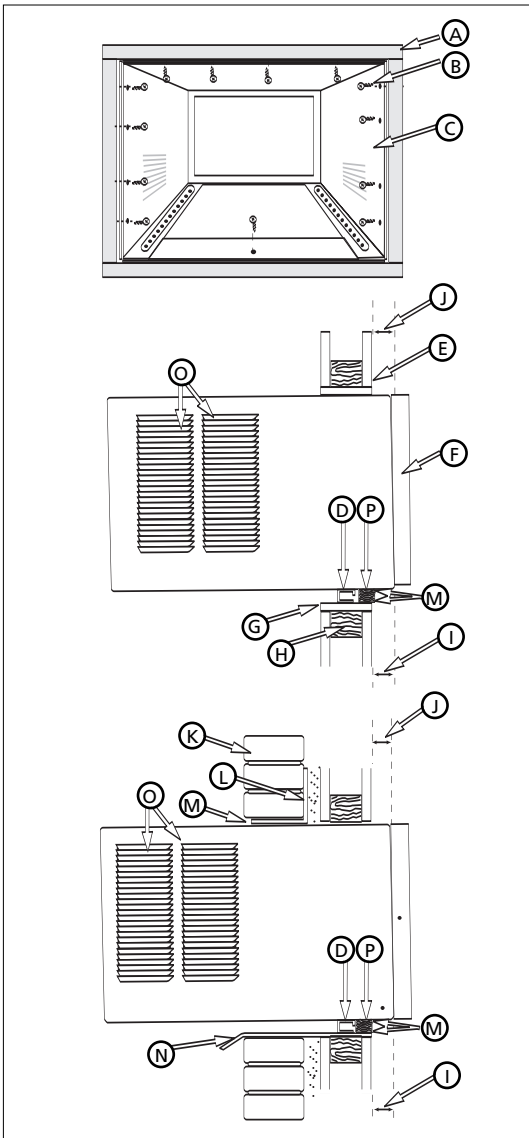
1. Deslice el chasis hacia el interior del gabinete.
2. Para reinstalar el panel decorativo delantero, colóquelo en su lugar y empújelo hacia atrás hacia el acondicionador hasta que entre a presión en su lugar. Vuelva a instalar el tornillo de retén detrás del panel de entrada del aire.
3. Reinstale los dos tornillos antirrobo en los lados delanteros inferiores del gabinete.
4. Corte un relleno de espuma de plástico del ancho de la ventana e instálelo entre la hoja móvil superior e inferior de la ventana.
5. Use compuesto obturador para llenar cualquier abertura más pequeña.

### ⚠ ADVERTENCIA

No taladre un agujero en la bandeja inferior. El acondicionador de aire ha sido diseñado para funcionar aproximadamente con 1/2" de agua en la bandeja inferior.



(A) Barra superior (B) Tornillo de madera de 5/8"



- |   |   |
|---|---|
| (A) Marco de madera   | (H) Marco de madera de 2" por todo el rededor |
| (B) Tornillos de madera de 1"   | (I) Espacio de 1-1/2"                         |
| (C) Gabinete  | (J) Espacio de 1-1/4"                         |
| (D) Barra inferior  | (K) Enchapado de ladrillo                     |
| (E) Pared   | (L) Dintel angular                            |
| (F) Panel decorativo delantero  | (M) Material obturador                        |
| (G) Soporte de madera de por lo menos 1 x 6 (clavado o atornillado en el marco de madera) | (N) Guardaaguas (Vieriteaguas)                |
|   | (O) Rejillas de ventilacion                   |
|   | (P) relleno de madera                         |

## Instalación del Gabinete en una Ventana de Ancho Mínimo

1. No instale los paneles de relleno en el gabinete.
2. Consulte las instrucciones anteriores desde el paso 1 al 3.
3. Cierre la ventana hasta que toque detrás de la barra superior del acondicionador de aire.
4. Asegure la hoja móvil inferior de la ventana en el marco de la ventana.
5. Si se requiere relleno en ambos lados del acondicionador de aire, corte una espuma de plástico del tamaño adecuado y tape ambos lados.
6. Use compuesto obturador para llenar cualquier abertura más pequeña.
7. Instale el chasis en el gabinete.

**Consulte a su distribuidor autorizado o al importador para obtener instrucciones de instalación alternativas.**

## Instalación Empotrado en la Pared

Este acondicionador de aire ha sido diseñado como un chasis deslizable, haciendo que sea posible su instalación empotrado en la pared, tanto en muros de construcción antigua como moderna. Recomendamos que este tipo de instalación sea realizado con ayuda profesional.

- **IMPORTANTE:** Este aparato debe ser instalado de acuerdo con todos los códigos y reglamentos eléctricos y de construcción aplicables.
- Se recomienda que usted solicite ayuda para instalar el aparato y que use una técnica de alzamiento adecuado para evitar lesión personal.
- Es importante que usted inspeccione el estado de la pared donde se instalará el acondicionador de aire.
- Asegúrese de que la pared pueda soportar el peso del acondicionador de aire.
- Todas las rejillas de ventilación del gabinete **DEBEN QUEDAR** hacia el lado exterior de la pared. **NO BLOQUEE LAS REJILLAS DE VENTILACION LATERALES.**
- El gabinete debe ser instalado de modo que quede nivelado de lado a lado y con una ligera inclinación hacia abajo desde el interior al exterior.

1. Retire primero el panel decorativo delantero y el chasis del gabinete. Retire la barra superior del gabinete.
2. Determine el tamaño de la abertura para construir un marco de madera agregando 1/8" al ancho y a la altura del gabinete. Mida la altura desde la parte superior del gabinete hasta la barra inferior. Agregue esta medidas al grosor de la madera usada para construir el marco. Esto determinará el tamaño necesario de la cavidad en la pared. El marco debe construirse usando madera de por lo menos 1" de espesor. Cuando se determine el grosor del marco acabado, asegúrese de que este no cubra las rejillas de ventilación laterales del gabinete.
3. Instale el marco terminado en la cavidad mural de manera que quede a escuadra y nivelado, luego clávelo o atorníllelo firmemente en la pared e introduzca el gabinete en la cavidad mural ya preparada con el marco.
4. Asegúrese de que el gabinete sobresalga de la pared 1-1/4" en la parte superior y 1-1/4" en la parte inferior hacia la habitación para asegurar una inclinación adecuada y acceso al tornillo antirrobo, luego asegure el gabinete en el marco instalando doce (12) tornillos de madera de 1" (no suministrados) a través de los agujeros taladrados en el gabinete y hacia el marco.

Si el acondicionador se instala en un muro enchapado de ladrillo se debe usar un dintel angular de acero para sostener los ladrillos que están arriba del gabinete.

5. Una vez que se haya instalado el gabinete obture todas las aberturas en el interior y exterior entre el marco acabado y el gabinete para evitar que la humedad penetre al interior de la pared. El uso de un guardaaguas (vieriteaguas) ayudará también a evitar que el agua gotee dentro de la pared.
6. Instale el chasis en el gabinete.

## Panel de Control Electrónico

### Control de Alimentación

Este botón pone en marcha y apaga el acondicionador de aire.

### Indicador de Temperatura de Ajuste/Temporizador

El indicador muestra la temperatura de ajuste cuando el acondicionador de aire está en funcionamiento y las horas cuando se ha activado el temporizador. EL INDICADOR DE LA TEMPERATURA SOLAMENTE MUESTRA LA TEMPERATURA DE AJUSTE, NO LA TEMPERATURA AMBIENTE REAL.

### Control de la Temperatura/ Temporizador

Estos botones se usan para aumentar o reducir la temperatura de ajuste en incrementos de 1°, entre 66°F hasta 88°F. Si se oprimen simultáneamente ambos botones, el indicador digital cambiará entre grados Celsius y Fahrenheit. Cuando se activa el temporizador, estos botones son usados para cambiar el ajuste de la hora en incrementos de 1, entre 00 hasta 24.

### Selector de Modo

Una luz verde indicará el modo que está siendo utilizado.

#### Modo 'Cool' (Frío) –

El acondicionador de aire circula y enfría el aire.

#### Modo 'Heat' (Calor) [Solamente los Modelos con Calor] –

El acondicionador de aire circula y calienta el aire.

Característica de Seguridad del Calentador – Cuando el calentador está apagado, el ventilador de baja velocidad se activará y funcionará durante 60 segundos para asegurar la eliminación de algún calor residual, a la vez que el diodo LED 'Low Fan' (ventilador de baja velocidad) destella hasta que se detenga el ventilador de baja velocidad.

#### Modo 'Fan' (Ventilador) –

El acondicionador de aire solamente hará circular el aire.

#### Modo 'Energy Saver'

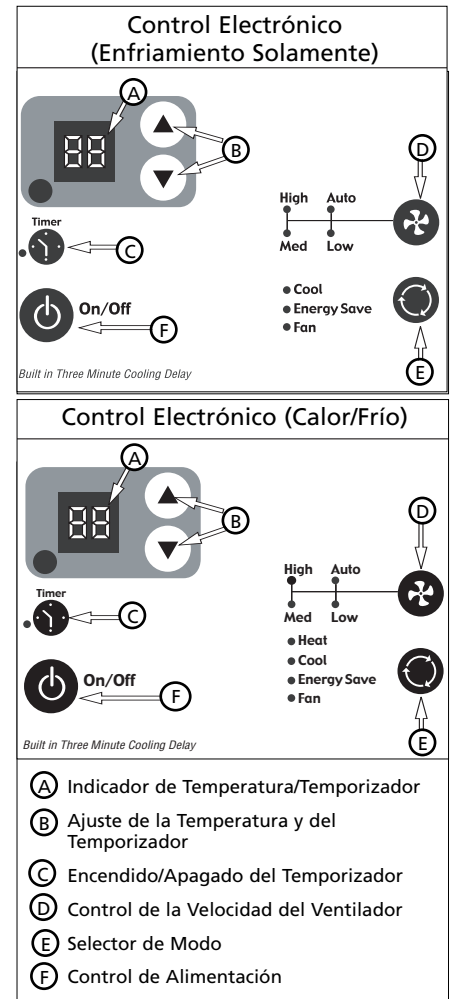
(Ahorro de Energía) –

(El modo de ahorro de energía está diseñado para funcionar solamente con el modo 'Cool'). El ventilador cambiará de la velocidad de ajuste a velocidad baja cuando el compresor sea apagado por el termostato. Cuando el compresor se activa nuevamente, el ventilador volverá al ajuste original. La velocidad del ventilador cambia automáticamente según cambie la temperatura en la habitación.

### Control de la Velocidad del Ventilador – Alta, Mediana, Baja y Automática

El ajuste de la velocidad del ventilador se cambia cada vez que se oprime el botón de control de velocidad del ventilador. Una luz verde indicará el ajuste que se ha seleccionado.

Cuando se selecciona 'Auto' (Automático) y el acondicionador de aire está en el modo 'Cool' o 'Heat', la velocidad del ventilador cambiará automáticamente a medida que cambie la temperatura en la habitación. En el modo 'Cool', cuando la habitación llega a 7° o más, sobre la temperatura de ajuste, se usa 'High Fan' (Alta Velocidad), cuando la temperatura en la habitación es de 4° o menos, sobre la temperatura de ajuste, se usa 'Low Fan' (Velocidad Baja). En el modo 'Heat' cuando la habitación alcanza 7° o más, bajo la temperatura de ajuste, se usa 'High Fan', cuando la habitación alcance 4° o menos, bajo la temperatura de ajuste, se usa 'Low Fan'. En todos los otros casos el ventilador usa 'Medium Fan' (velocidad mediana).



### ⚠ ADVERTENCIA

Mecanismo de retraso de tres minutos incorporado

Si este aparato electrónico no responde a los mandos del control remoto o cojinete táctil, será necesario desenchufarlo cinco segundos y luego volver a enchufar.

Característica de encendido automático:

In caso de falla eléctrica, esta característica permite que la unidad se encienda nuevamente de manera automática cuando se restablece el servicio eléctrico manteniendo los ajustes más recientes.

### ⚠ ADVERTENCIA

Los modelos con Frío/Calor o con calor eléctrico han sido diseñados para ser usados como una fuente de calor suplementaria. Son sólo un complemento para los sistemas de calefacción habituales y nunca deben usarse como la fuente primaria de calefacción.

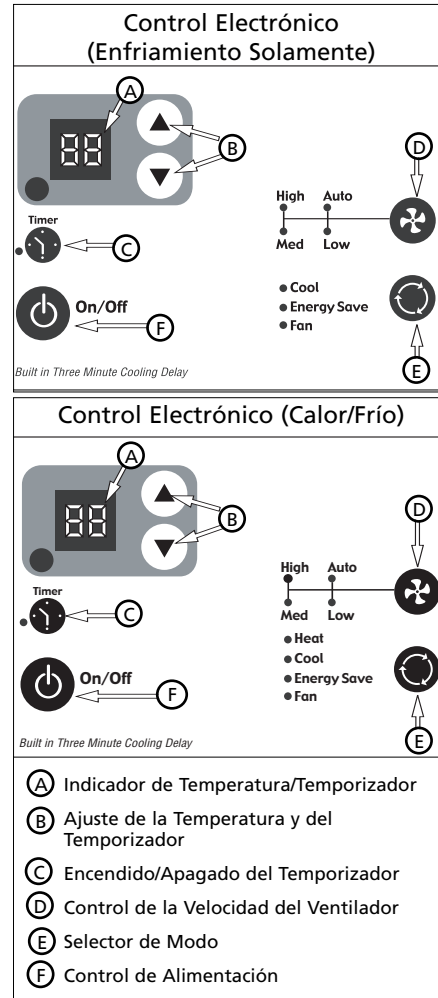
**Control del Temporizador** (El temporizador puede ser ajustado ya sea para encender o apagar el acondicionador de aire.)

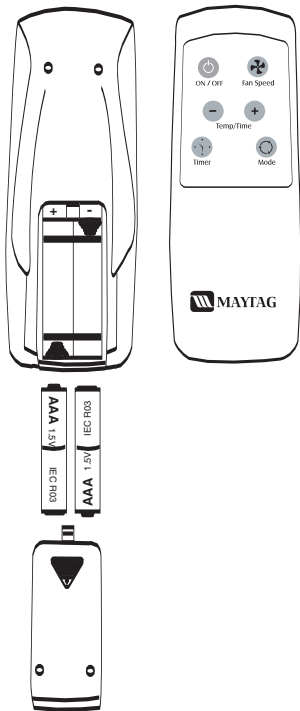
**Para PONER EN MARCHA automáticamente el acondicionador de aire usando el modo 'Timer':**

1. Oprima el botón 'Timer' cuando la alimentación eléctrica esté desconectada. El indicador mostrará 00. Ajuste el indicador para que muestre el número de horas que desea que transcurran antes de la PUESTA EN MARCHA, usando las flechas de ajuste 'Temperature/Timer' (Temperatura/Temporizador).
2. El indicador mostrará la cantidad de horas que faltan para la PUESTA EN MARCHA.
3. Para salir del modo 'Timer', oprima el botón 'Timer'.
4. Una luz verde situada junto al botón 'Timer' se iluminará para indicar que el 'Timer' está activado.

**Para APAGAR automáticamente el acondicionador de aire usando el modo 'Timer':**

1. Oprima el botón 'Timer' cuando la alimentación eléctrica esté conectada. El indicador mostrará 00. Ajuste el indicador para que muestre el número de horas que desea que transcurran antes de que se APAGUE usando las flechas de ajuste 'Temperature/Timer' (Temperatura/Temporizador). (Después de 10 segundos, el indicador volverá automáticamente a la temperatura de ajuste.)
2. Para ver la cantidad de horas que faltan para que se APAGUE el acondicionador de aire, oprima una vez el botón 'Timer'.
3. Para salir del modo 'Timer', oprima el botón 'Timer' dos veces.
4. Una luz verde situada junto al botón 'Timer' se iluminará para indicar que el 'Timer' está activado.





### Control Remoto de Acondicionador de Aire

Las funciones trabajan igual que los controles manuales de su acondicionador de aire.

Pilas:

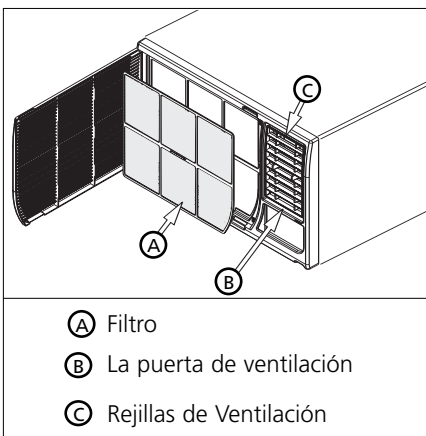
Retire al tapa en la parte trasera del control remoto e inserte las baterías con los polos (+) y (-) en la dirección correcta.

#### ⚠ PRECAUCION

- Use solamente pilas AAA o IEC R03 de 1,5V.
- Retire las pilas si el control remoto no va a ser usado durante un mes o más.
- No intente recargar las pilas suministradas.
- Todas las pilas deben ser reemplazadas a un mismo tiempo.
- No incrinere las pilas pues pueden explotar.
- No instale las pilas con la polaridad (+/-) inversa.
- Mantenga fuera del alcance de los niños pequeños las pilas y otros artículos que puedan ser tragados.  
Póngase inmediatamente en contacto con un médico si un niño pequeño se traga un objeto.
- No mezcle pilas alcalinas, standard (carbon-zinc), con pilas recargables (nickel-cadium).

### Dirección del Flujo del Aire

El acondicionador de aire ha sido diseñado con rejillas de ventilación ajustables para orientar el flujo de aire descargado. Las rejillas de ventilación se ajustan manualmente moviéndolas en la dirección deseada del flujo del aire.



- (A) Filtro
- (B) La puerta de ventilación
- (C) Rejillas de Ventilación

### Limpieza del Filtro del Aire

Limpie el filtro cada dos semanas

1. Gire el control maestro a 'OFF' (Apagado).
2. Retire el filtro del aire abriendo el panel de entrada del aire situado en el panel decorativo delantero y sacándolo fuera del acondicionador de aire.
3. Lávelo en agua con jabón, enjuague y sacúdalo para secarlo.
4. Vuelva a colocar el filtro con la parte delantera del filtro dirigida hacia usted.
5. Para secar bien el filtro, haga funcionar el acondicionador de aire durante unos pocos minutos. Recuerde: solamente un filtro limpio puede proporcionar eficiencia y funcionar de manera correcta en todos los ajustes.

#### ⚠ PRECAUCION

Si no se mantiene el filtro del aire limpio puede causar circulación deficiente del aire. NO haga funcionar el acondicionador de aire sin el filtro. Esto puede impedir que el acondicionador de aire funcione.

El uso y cuidado adecuado de su acondicionador de aire le asegurará una vida útil prolongada. Se recomienda que inspeccione anualmente y limpie las espirales y los pasajes del agua del condensado. El costo de la inspección anual es responsabilidad del propietario.

## Localización y Solución de Averías

Para ahorrar tiempo y dinero, verifique lo siguiente antes de llamar a un centro de servicio autorizado.

Problema	Causa Posible	Soluciones
El acondicionador de aire no funciona	<ul style="list-style-type: none"> <li>El enchufe mural está desconectado.</li> <li>Se ha fundido un fusible o se ha disparado el disyuntor.</li> <li>El acondicionador de aire se apagó y luego se encendió demasiado rápidamente.</li> <li>El ajuste del termostato es muy bajo para enfriamiento.</li> </ul>	<ul style="list-style-type: none"> <li>Inserte bien el enchufe en el tomacorriente mural.</li> <li>Reemplace el fusible con un tipo de fusible con retardo o reponga el disyuntor.</li> <li>Si el acondicionador de aire está apagado espere 3 minutos antes de volver a encenderlo.</li> <li>Cambie el termostato a un ajuste más alto para enfriamiento.</li> </ul>
El aire proveniente del acondicionador de aire no es suficientemente frío	<ul style="list-style-type: none"> <li>El termostato está en un ajuste demasiado caliente.</li> <li>La temperatura de la habitación es inferior a 70°F.</li> </ul>	<ul style="list-style-type: none"> <li>Coloque el termostato en una temperatura más fría.</li> <li>No se producirá enfriamiento hasta que la temperatura de la habitación no sea superior a 70°F.</li> </ul>
El acondicionador de aire enfría, pero la habitación está demasiado tibia – se forma hielo en las espirales de enfriamiento detrás del panel decorativo delantero	<ul style="list-style-type: none"> <li>La temperatura exterior es inferior a 70°F.</li> <li>El filtro de aire está sucio – restricción del aire.</li> </ul>	<ul style="list-style-type: none"> <li>Para descongelar el serpentín, coloque el termostato en una posición más caliente.</li> <li>Limpie el filtro, vea la sección “Limpieza del Filtro del Aire”.</li> </ul>
El acondicionador de aire enfría, pero la habitación está demasiado tibia – NO se forma hielo en las espirales de enfriamiento detrás del panel decorativo delantero	<ul style="list-style-type: none"> <li>El termostato está en un ajuste demasiado frío para enfriamiento nocturno.</li> <li>Filtro de aire sucio – restricción del aire.</li> </ul>	<ul style="list-style-type: none"> <li>Para descongelar la espiral, coloque el termostato en una posición normal.</li> <li>Limpie el filtro del aire. Consulte la sección “Limpieza del Filtro del Aire”.</li> </ul>
Se produce ruido cuando el acondicionador de aire está enfriando	<ul style="list-style-type: none"> <li>Ruido del movimiento del aire.</li> <li>Ruido del ventilador al golpear el sistema de extracción de agua y humedad.</li> <li>Vibración de la ventana – instalación deficiente.</li> </ul>	<ul style="list-style-type: none"> <li>El sonido del aire moviéndose es normal. Si es demasiado fuerte, gire el selector a un ajuste del ventilador más bajo.</li> <li>Esto es normal cuando la humedad es alta. Cierre las puertas, ventanas y rejillas de ventilación.</li> <li>Consulte las instrucciones de instalación – consulte con el instalador.</li> </ul>
Goteo de agua dentro del acondicionador de aire cuando está enfriando	<ul style="list-style-type: none"> <li>Instalación incorrecta.</li> </ul>	<ul style="list-style-type: none"> <li>Incline ligeramente el acondicionador de aire hacia el exterior para desaguar el agua. Consulte las instrucciones de instalación – verifique con el instalador.</li> </ul>
Goteo de agua fuera del acondicionador de aire cuando está enfriando	<ul style="list-style-type: none"> <li>El acondicionador de aire está extrayendo gran cantidad de humedad de la habitación.</li> </ul>	<ul style="list-style-type: none"> <li>Esto es normal durante días excesivamente húmedos.</li> </ul>