

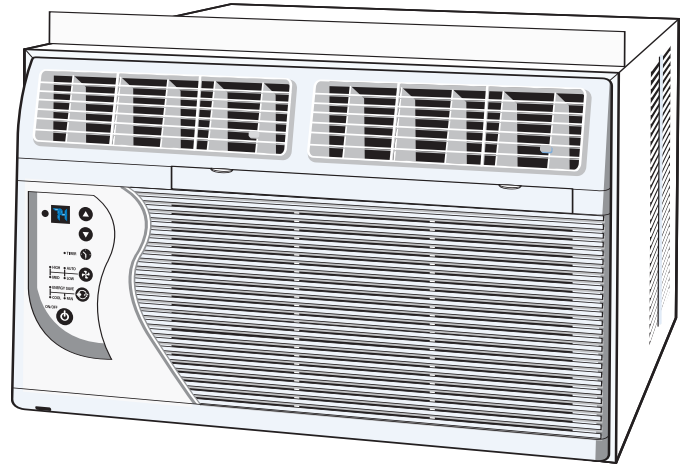
Climette® Installation and Operating Instructions

Room Air Conditioners for Double-Hung Windows & Thru the wall installation

TABLE OF CONTENTS

ENGLISH

Important Safety Instructions	1
Installation.....	3
Operation	8
Maintenance	9
How to Obtain Warranty Service or Parts	11



E
N
G
L
I
S
H

Keep these instructions for future reference

For additional questions please call
1-217-347-6459

Features and specifications subject to change without notice.

For Future Reference

Write down the model and serial numbers
The model and serial numbers can be found on the side of the cabinet near the control panel. Use these numbers in any correspondence or service calls concerning your air conditioner.

Model Number

Serial Number


Date of Purchase

RECOGNIZE SAFETY SYMBOLS, WORDS AND LABELS

What You Need To Know About Safety Instructions

Warning and Important Safety Instructions appearing in this manual are not meant to cover all possible conditions and situations that may occur. Common sense, caution and care must be exercised when operating or cleaning tools and equipment.

Always contact your dealer, distributor, service agent or manufacturer about problems or conditions you do not understand.

 This is the safety alert symbol. It is used to alert you to potential personal injury hazards. Obey all safety messages that follow this symbol to avoid possible injury or death.

 DANGER

DANGER indicates an imminently hazardous situation which, if not avoided, will result in death or serious injury.

 WARNING


WARNING indicates a potentially hazardous situation which, if not avoided, could result in death or serious injury.


 CAUTION

CAUTION indicates an potentially hazardous situation which, if not avoided, may result in minor or moderate injury.

CAUTION

CAUTION used without the safety alert symbol indicates a potentially hazardous situation which, if not avoided, may result in property damage.





 DANGER
 Do not store or use gasoline or other flammable vapors and liquids in the vicinity of this or any other appliance. The fumes can create a fire hazard or explosion.


 DANGER
Important Grounding Requirements

- Air conditioner has a three-prong grounding plug on the power supply cord, which must be plugged into a properly grounded three-prong wall receptacle for your protection against possible shock hazard. For models up to and including 7.5 amperes, use a grounding type wall receptacle to match the cord plug.
- For models above 7.5 amperes use a single outlet grounding type wall receptacle to match the cord plug.

Do not operate this air conditioner without proper time delay circuit protection (circuit breaker or fuse). Refer to serial plate for proper power supply requirements.

Recommended Wire Sizes
 (As installed per building code) :

PROTECTOR SIZE	WIRE GAUGE				
15 AMP	#14 MINIMUM	125V	250V	250V	250V
20 AMP	#12 MINIMUM	15A	20A	15A	30A
30 AMP	#10 MINIMUM				

 DANGER
Electrical Shock Hazard

- Plug unit only into a grounded electrical outlet.
- Do not use an extension cord or plug adapter with this unit. Do not alter cord or plug end. Do not remove warning label on cord.
- Do not operate unit with decorative front or filter removed.
- If the air conditioner has a serial plate rating of 115 volts and greater than 7.5 amps, it must have its own fuse or circuit breaker, and no other device or unit should be operated on that fuse or circuit breaker.
- If the air conditioner has a serial plate rating of 230 volts, it must have its own fuse or circuit breaker, and no other device or unit should be operated on that fuse or circuit breaker.
- We recommend that a qualified electrician install unit in accordance with the National Electrical Code and local codes and ordinances.
- Use copper conductors of correct wire gauge and protector size only.

Power Cord with Arc Detection Device

The power cord supplied with this air conditioner is equipped with an Arc Detection Device designed to shut off power to the unit when it senses an arc fault condition. An arc fault is an unintentional electrical discharge that occurs when electrical products or wires are damaged, aged, or improperly used. An arc fault can be potentially hazardous if left undetected.

! DANGER

- **Do not** remove or modify this plug
- **Do not** use as an on/off switch
- **Do not** use outdoors
- **Do not** push furniture against or place furniture on the electrical cord. This can trip the test switch and/or damage the cord and become a potential condition for arcing
- **Do not** attempt to repair the cord. If the cord requires replacement, call an authorized servicer.
- The Arc Detection Device is not a Ground Fault Interrupter and should not be used as such
- The Arc Detection Device contains an electronic circuit board and should not be submerged or exposed to water spray

Resetting

If the Arc Detection Device has tripped, the reset button will pop up.

Follow these steps to reset the Arc Detection Device:

1. Unplug unit from electrical outlet
2. Press the reset button
3. Plug the unit back into electrical outlet
4. Check to see if power has returned to the unit

Testing

You should test the Arc Detection Device equipped power cord monthly, after every major electrical storm, or if power to your Room Air Conditioner has been interrupted.

Follow these steps to test the Arc Detection Device:

1. Unplug unit from electrical outlet
2. Press the reset button
3. Plug the unit back into electrical outlet
4. Press test button. Unit should trip and reset button will pop up.
5. Press reset button again for use

If above test fails, stop using the air conditioner and contact customer service by calling the following toll-free number:
1-866-629-8441

! WARNING

Use two or more people to move and install air conditioner. Failure to do so can result in back or other injury.

CAUTION

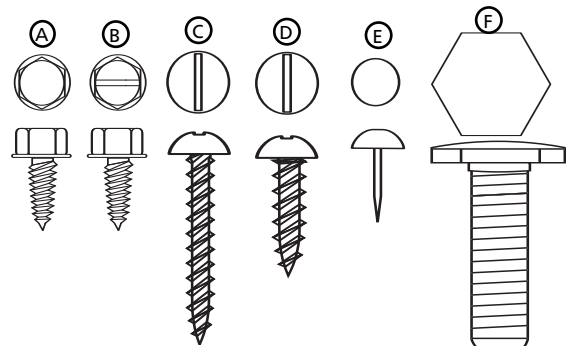
- **Do not** cut, alter or remove any of the expanded polystyrene (styrofoam) inside this air conditioner.
- **Do not** introduce objects in the air discharge area. This could cause permanent damage.
- **Do not** pour liquids on the air conditioner as this could cause a malfunction. With the unit unplugged, use a damp cloth for cleaning the unit.

CAUTION

- **Do not** use strong solvents to clean the air conditioner.
- Clean the air conditioner filter every two weeks to avoid overheating caused by air obstruction. Do not operate without filter.
- **Do not** obstruct the air intake area of your air conditioner, as this could cause overheating, thus activating the unit's security switch and shutting off the unit.
- **Do not** block air circulation to outside louvers of cabinet.
- **Do not** block air flow inside with blinds, curtains, or furniture, or outside with shrubs, enclosures, or other buildings.
- **Do not** run the air conditioner with an outside protective cover in place. This could result in fire or mechanical damage within the air conditioner.
- Carefully inspect the location where the air conditioner will be installed. Be sure it will support the weight of the unit over an extended period of time.

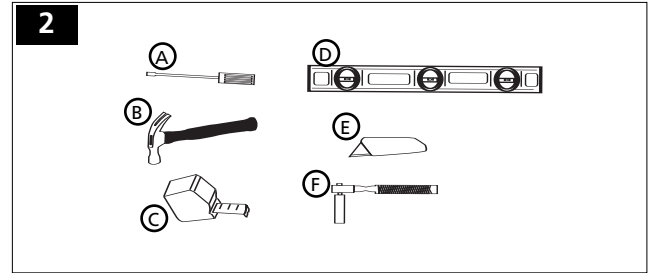
1 Fastener Identification

- (A) Side Seal Screws (6)
- (B) #8 Leveling bracket Screws (4)
- (C) 1" long wood screws (2)
- (D) 5/8" long wood screws (2)
- (E) Upholsterer's tacks (4)
- (F) Leveling Bolts (2)



Tools Needed

- (A) Blade-type screwdriver
- (B) Hammer
- (C) Rule or tape measure
- (D) Level
- (E) Knife
- (F) Hex driver, ratchet or wrench

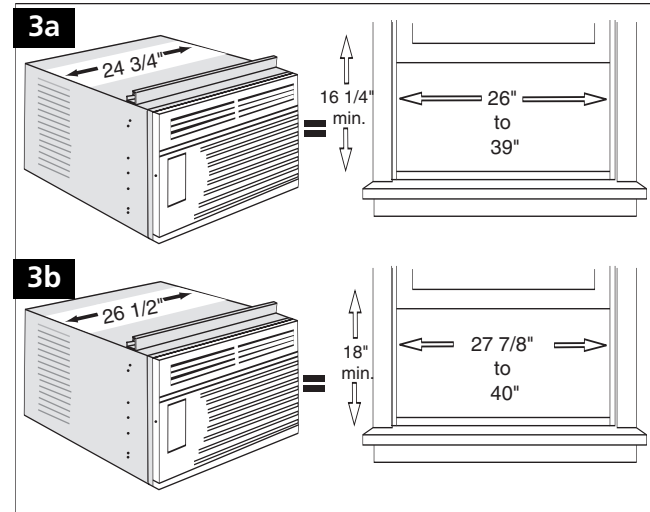


Window Requirements

1. Air conditioner is factory prepared for installation in standard double hung window (air conditioner cannot be installed in other types of windows without modification, consult with a qualified installation serviceman).
2. Install the air conditioner in a window where there will be enough clearance around the cabinet to allow ample circulation of air through the unit.
3. All supporting parts should be secured to firm wood, masonry or metal.

Unit & Window Size

1. If your air conditioner cabinet is 24 3/4" wide, it will fit window openings 26" to 39" in width. Minimum opening height is 16 1/4" from bottom of sash to sill. Removal of both filler panels permits installation in windows with a minimum opening width of 24 5/8". Use foam seal to fill any openings between the sides of the cabinet and the window stop molding. This size unit requires two leveling brackets (Fig. 3a).
2. If your air conditioner cabinet is 26 1/2" wide, it will fit window openings 27 7/8" to 40" in width. Minimum opening height is 18" from bottom of sash to sill. Removal of both filler panels permits installation in windows with a minimum opening width of 26 3/4". Use foam seal to fill any openings between the sides of the cabinet and the window stopmolding. This size unit requires two leveling brackets (Fig. 3b).



Decorative Front Removal

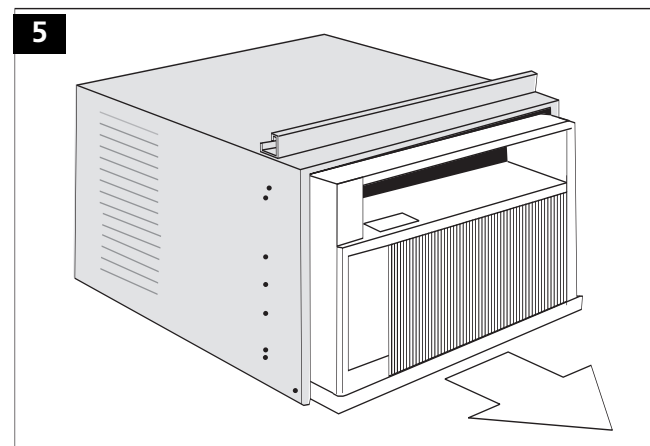
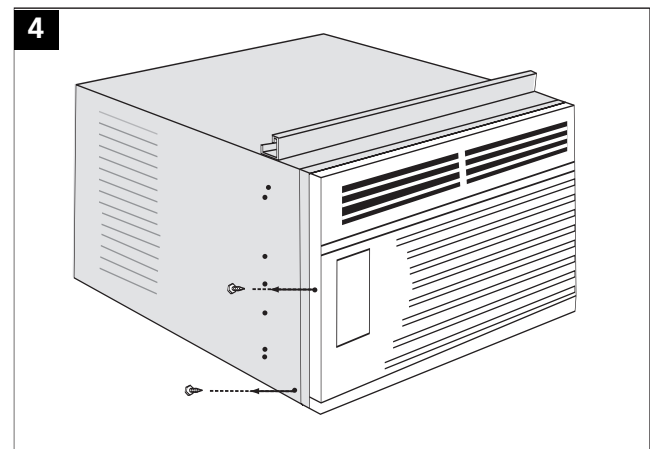
1. Remove the phillips screws on both sides of the cabinet (Fig. 4).
2. Gently pull forward while grasping both sides of the decorative front.

Removing the Chassis

Remove the two (2) antitheft screws from the side of the cabinet. **RETAIN THESE SCREWS**, they will be replaced later in the installation (Fig. 4).

Slide the chassis out of the cabinet by grasping the front flange of the evaporator cover and pulling forward while bracing the cabinet (Fig. 5).

Use caution when working around exposed sharp edges of the cabinet and sharp coils to avoid injury or torn clothing.



CAUTION

Use caution when working around exposed sharp edges of the cabinet and sharp coils to avoid injury or torn clothing.

Installing Cabinet in Window (Flush Mount)

1. Attach cabinet side seals to the existing holes in the cabinet using the six (6) screws supplied (Fig. 6).
2. Open window and mark the center of window sill. Carefully place cabinet in window and align center mark on the bottom tie bar with the center mark on the window sill (Fig. 7).
3. Close window until it touches behind top retainer bar. Do not close window so tightly that sliders cannot move. (Do not release your grip on the cabinet until the lower window sash is in its final position) (Fig. 7).
4. Attach the cabinet to the window sill by driving two (2) 1" long screws through each cabinet track into the window sill (Fig. 8).
5. Brackets may be attached to cabinet in either direction for maximum support, depending on the depth of the window sill. Place the leveling bracket with leveling bolt under cabinet and attach to the cabinet with two (2) #8 screws. Tighten screws through cabinet into the smaller holes in the bracket. Placement of bracket and screws to slots on cabinet track will depend on size of the window sill. Position the brackets so bolts will rest securely on window sill (Fig. 8 & 10).

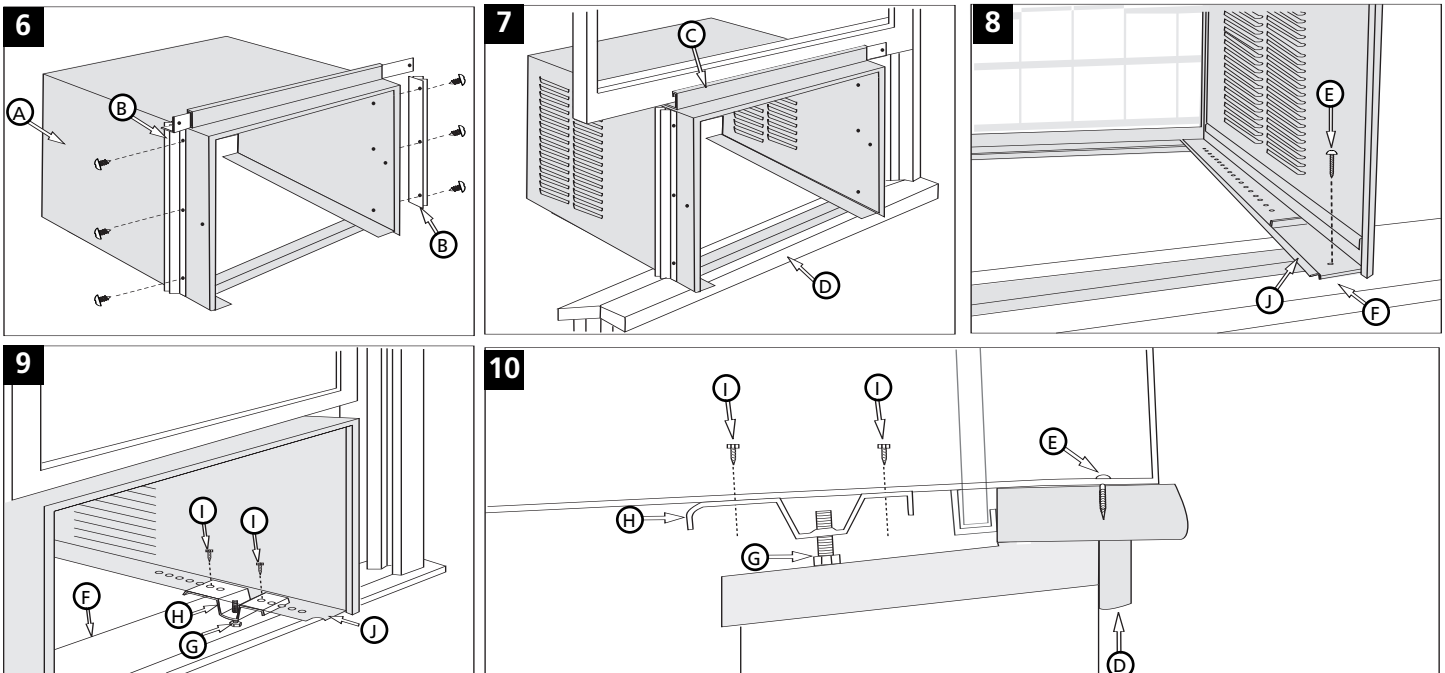
Be sure cabinet maintains an outward pitch. Air conditioner should slant slightly downward on the outside as shown by 1/2 a bubble off on a carpenter's level. This outward pitch prevents water from entering the room.

Installation Other Than Flush Mount

In order to install the unit with more of it projecting into the room, it will be necessary to relocate the top retaining bar, side seals and bottom tie bar.

1. Check to make sure the cabinet's outside side louvers will not be blocked when the unit is moved farther into the room.
2. Remove the top retainer bar, cabinet side seals and bottom tie bar from the cabinet. Relocate them for the desired projection into the room.
3. Using the top retaining bar and cabinet side seals as templates, locate and drill five (5) 7/32" mounting holes on the top of the cabinet and three (3) on each cabinet side.
4. Use sealing material to fill the holes in the cabinet top and sides that become exposed when the top retaining bar and cabinet side seals were relocated.
5. Follow all preceding instructions.

Consult your authorized dealer or importer for alternative installation instructions.



- | | |
|---------------------|-----------------------------|
| Ⓐ Cabinet | Ⓕ Outer edge of window sill |
| Ⓑ Cabinet Side Seal | Ⓖ Leveling bolt |
| Ⓒ Top Retainer Bar | Ⓗ Leveling bracket |
| Ⓓ Window sill | Ⓘ #8 screws |
| Ⓔ 1" long screw | ⓵ Cabinet track |

Installing the Window Filler Panels

1. Measure distance "X" between the face of the window stop molding and the side of the cabinet (Fig. 11).

Note: Measure both sides of unit separately.

2. Subtract one groove (3/16") from "X" measurement to obtain the required width. Using a sharp knife, score the groove until the filler panel becomes weak enough to break apart (Fig. 12).

3. Insert cut edge of the filler panel into the cabinet side seal groove (position 1). Leave a small space at the bottom of the cabinet side seal groove (Fig. 13).

Rotate the filler panel backward toward the window frame until the filler panel clears the window sill. Push the filler panel down against the window sill (position 2).

Slide the filler panel out from the air conditioner cabinet until the filler panel flange contacts the window stop molding (position 3) (Fig. 14).

4. Attach the filler panel to the face of the window stop molding by driving upholsterers' tacks through the holes in the filler panel flange (Fig. 15).

5. Pull the sliders out until the sliders contact the face of the window stop molding (Fig. 16).

6. Pull bottom window sash down tightly and lock it in place by installing a 5/8" long screw through the hole in the slider into the window sash (Fig. 16).

7. Cut the plastic foam seal to proper length and insert it between the upper and the lower window sash.

Installing the Chassis into the Cabinet

1. Slide the chassis into the cabinet.

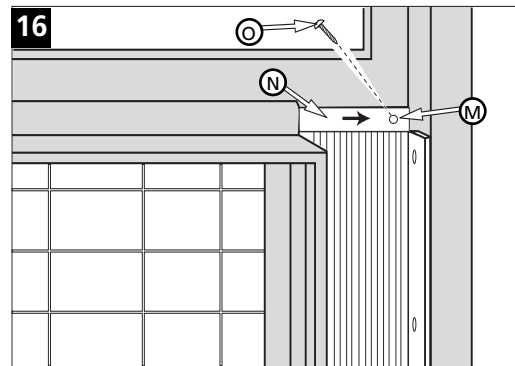
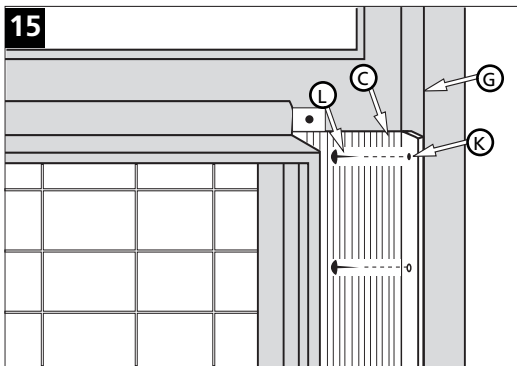
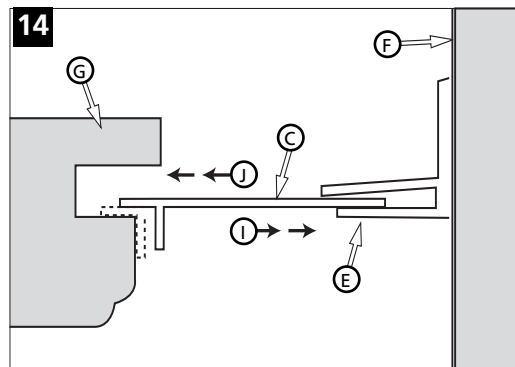
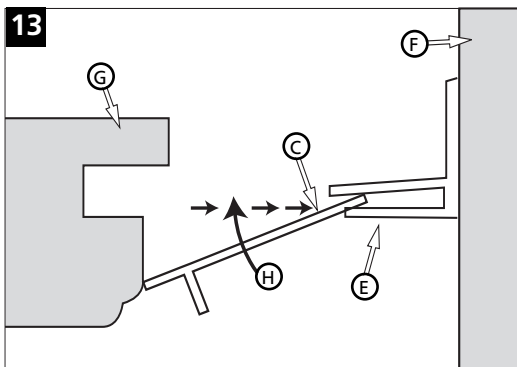
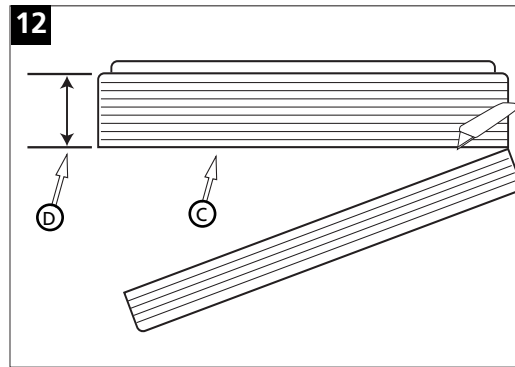
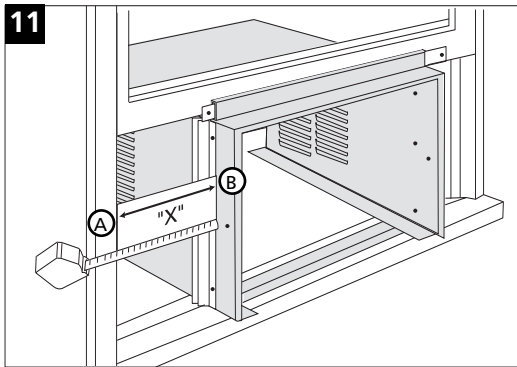
2. To replace the front, place the top of the decorative front in position and pivot back towards the unit and snap into place. Replace screws and air filter.

3. Replace the two (2) antitheft screws at the bottom side of cabinet.

4. Use sealant to fill any minor openings.

5. Make sure unit is OFF, before plugging into the outlet.

Use caution when working around exposed sharp edges of the cabinet and sharp coils to avoid injury or torn clothing.



- (A) Face of window stop molding
- (B) Side of cabinet
- (C) Filler Panel
- (D) "X" minus one groove (3/16")
- (E) Cabinet side seal
- (F) Cabinet
- (G) Window stop molding
- (H) Position 1
- (I) Position 2
- (J) Position 3
- (K) Holes in flange
- (L) Upholsterers' tacks
- (M) Hole in slider
- (N) Slider
- (O) 5/8" long screw

Through-the-wall Installation

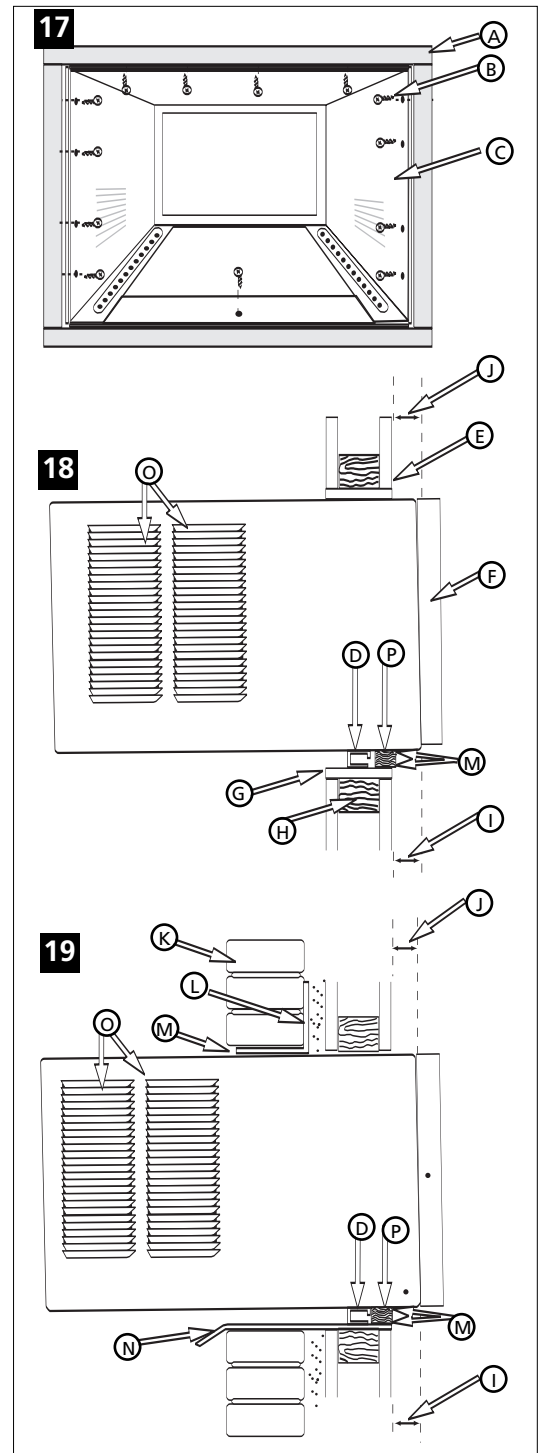
This air conditioner is designed as a slide-out type chassis, making it possible to install it through-the-wall in both existing and new construction. We recommend that this type of installation be performed with professional assistance.

- **IMPORTANT:** This appliance must be installed according to all applicable electrical and building codes and ordinances.
- It is recommended that you have help to install your unit and that you use proper lifting technique to avoid personal injury.
- It is important that you inspect the condition of the wall where the air conditioner will be installed.
- Be sure the wall can support the weight of the unit.
- All cabinet louvers **MUST BE** on the outdoor side of the wall. **DO NOT BLOCK SIDE LOUVERS.**
- The cabinet must be installed level from side-to-side and with a downward tilt from inside to outside.

1. First remove the Decorative front panel and chassis from the cabinet, then remove top bar from the cabinet.
2. Determine the size of the opening for a wood frame by adding 1/8" to the width and height of the cabinet. Measure height from top of cabinet to bottom of bar. Add this measurement to the thickness of wood used to build the frame. This will determine the size of wall opening needed. Minimum 1" thick lumber is recommended when building the frame. When determining finish frame thickness, be sure not to cover side louvers on the cabinet.
3. Install the finished frame in the wall opening square and level, nail or screw it securely to the wall and place the cabinet into the framed wall opening.
4. Make sure cabinet projects into the roomside of the wall 1 1/4" at the top and 1 1/2" at the bottom to ensure proper tilt and access to the anti-theft screw, then fasten cabinet to the frame by drilling twelve (12) 1" wood screws (not supplied) through the cabinet and into the frame. (Fig. 17 & 18).

If installation is made in a building with brick veneer construction, a steel angle lintel must be used to support the bricks above the cabinet. (Fig.19)

5. Install a 3/4" X 1 1/2" wood filler strip between the bottom bar and the interior, caulk both top and bottom of this strip. After cabinet is installed caulk all openings, inside and outside between finish frame and cabinet to prevent moisture from getting to the interior of the wall. Use of flashing (driprail) will further prevent water from dripping inside the wall.
6. Install chassis into cabinet.



- | | |
|--|---------------------|
| Ⓐ Wood frame | Ⓜ Caulking |
| Ⓑ 1" wood screws | Ⓝ Side louvers |
| Ⓒ Cabinet | Ⓟ Wood filler strip |
| Ⓓ Bottom Bar | |
| Ⓔ Interior wall | |
| Ⓕ Decorative Front | |
| Ⓖ Minimum 1x6 wood support (nailed or screwed to wood frame) | |
| Ⓗ 2" Wood frame | |
| Ⓛ 1 1/2" space | |
| Ⓜ 1 1/4" space | |
| Ⓝ Brick veneer | |
| Ⓟ Lintel angle | |
| Ⓠ Flashing (driprail) | |

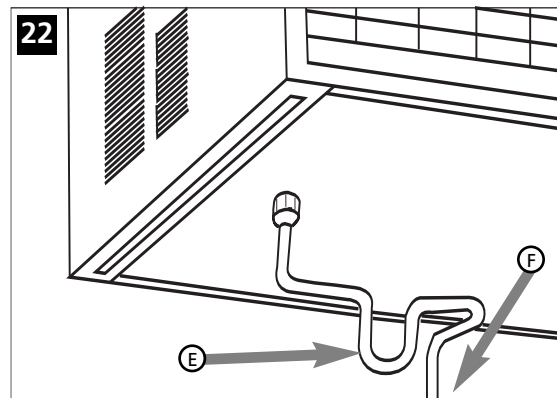
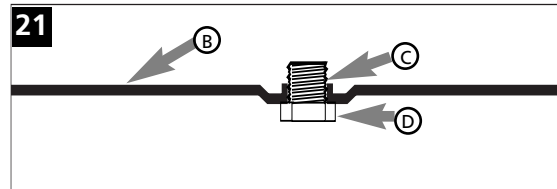
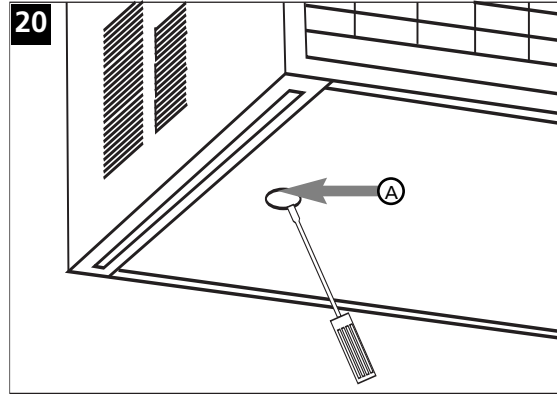
Condensate Drain

A condensate drain is provided to divert excess water when air conditioner is installed over a doorway or sidewalk.

1. Pry cap plug from the condensate drain (located on underside of bottom pan). Use a 5/8" pipe tap and fully thread the condensate drain (Fig. 20).
2. Screw a 5/8" pipe fitting into the condensate drain. The fitting should be protruding approximately 1/2" above the bottom pan when fully threaded into the condensate drain (Fig. 21).
3. If an open drain source is used to dispose of condensate, plastic or rubber tubing may be run directly from the pipe fitting to the open drain source. If closed drain source (internal structural plumbing) is used, a "P" trap must be between the 5/8" pipe fitting and the closed drain source (Fig. 22).

Consult your authorized dealer or importer for alternative installation instructions.

Do not remove the cap plug, unless the condensate drain is used.



- (A) Cap plug
- (B) Bottom pan
- (C) Condensate drain
- (D) 5/8" pipe fitting fully threaded into condensate drain
- (E) "P" trap
- (F) To closed drain source

Power Control

The Power Control turns the unit on and off.

Set Temperature/ Timer Display

Shows the set temperature when the unit is in operation and hours when the timer is being set. THE TEMPERATURE DISPLAY ONLY SHOWS THE SET TEMPERATURE, NOT THE ACTUAL ROOM TEMPERATURE.

Temperature/ Timer Hour Controls

These buttons are used to raise or lower the set temperature in increments of 1° from 66° to 88°. By depressing both buttons at once, the display will toggle between Celsius and Fahrenheit. When the timer is being set, these buttons are used to change the hour setting in increments of 1 from 00 to 24.

Mode Control

A green light will indicate which mode is currently being utilized.

Cool Mode – The unit will circulate and cool the air.

Heat Mode (Heat Models Only)– The unit will circulate and heat the air.

Heater Safety Feature- When heater is powered off, low fan will automatically stay on and run for 60 seconds to ensure the removal of residual heat, meanwhile, the Low Fan LED blinks until the low fan stops.

Fan Mode – The unit will only circulate the air.

Energy Saver Mode – The fan will switch from the set fan speed to LOW whenever the compressor turns off in response to the thermostat. When the compressor cycles back on, the unit will return to the original fan setting.

Fan Speed Control

High, Medium*, Low and Auto *MEDIUM FAN NOT available on HEAT models.

The settings are adjusted with the Fan Speed Control, each time the button is depressed it changes the setting. A green light will indicate which setting is currently being used.

When the AUTO feature is selected while the air conditioner is in the COOL or HEAT mode, the fan speeds will change automatically as the temperature in the room changes.

COOL Mode

- 7° or more above the set temperature will use HI fan.
- 4° or less above the set temperature will use LO fan.

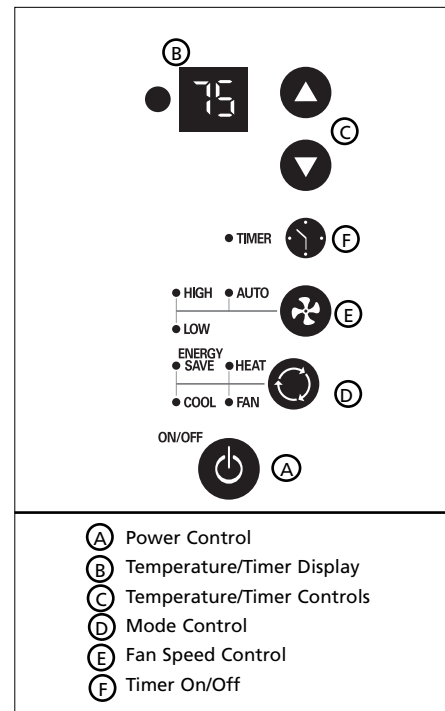
HEAT Mode (Heat models only)

- 9° or more below the set temperature will use HI fan.
- 4° or less below the set temperature will use LO fan.

Timer Control The timer can be set to either turn the unit on or off

To turn the unit ON using the Timer: Depress the timer key when the power is off, the display will read 00. Adjust to the desired number of hours before TURN ON using the up/down arrows. The display will show the time by hours left until TURN ON. To Turn the timer off, depress the timer key. A green light next to the Timer Control indicates that the timer is set.

To turn the unit OFF using the Timer: Depress the timer key when the power is on, the display will read 00. Adjust to the desired number of hours before TURN OFF using the up/down arrows. The display will automatically return to the set temperature after 10 seconds. To display the amount of time left until TURN OFF, depress the timer button once. To turn the TIMER OFF, depress the timer button twice. A green light next to the Timer Control indicates that the timer is set.



Built-in three minute timing delay.

If this electronic unit will not respond to touch pad or remote control commands, it is necessary to unplug the unit from the electrical outlet for five seconds and then plug the unit back in.

Auto restart feature:
In the event of a power failure, this feature allows the unit to resume operation once power has been restored, retaining the most recent settings. Upon restoration of power, the timer mode may need to be reset if being utilized.

CAUTION
 Heat/Cool models or units with electric heat are designed to be used only as a supplemental heat source. They should be used in addition to regular heating systems and never as the primary source of heat.

Air Conditioner Remote Control

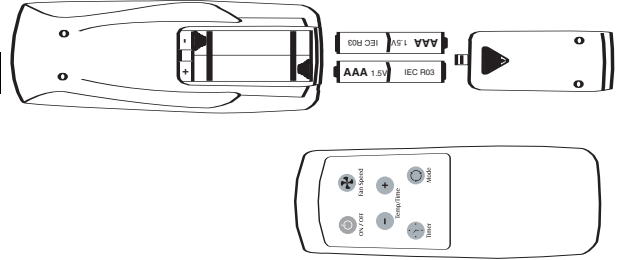
The functions work the same as your air conditioner's touch controls.



CAUTION



- Use only AAA or IEC R03 1.5V batteries.
- Remove the batteries if the remote controller is not used for a month or longer.
- Do not attempt to recharge the supplied batteries
- All batteries should be replaced at the same time.
- Do not dispose of the batteries in a fire as they may explode.
- Do not mix old and new batteries.
- Do not install the batteries with the polarity (+/-) reversed.
- Keep batteries and other things that could be swallowed away from young children. Contact a doctor immediately if an object is swallowed.



Directing Airflow

Unit is engineered with adjustable louvers to direct discharge airflow. Louvers are manually adjusted by moving levers in direction of desired airflow (Fig. 23).

Cleaning Air Filter

1. Turn Master Control to OFF.
2. Remove the air filter by grasping the top corners and pulling it up and out of the unit (Fig. 23).
3. Wash in hot soapy water, rinse and shake dry.
4. Replace the filter, with the front of the filter toward you.
5. To dry the filter thoroughly, run your unit for a few minutes. Remember, only a clean filter works properly and delivers top efficiency at every setting.



CAUTION

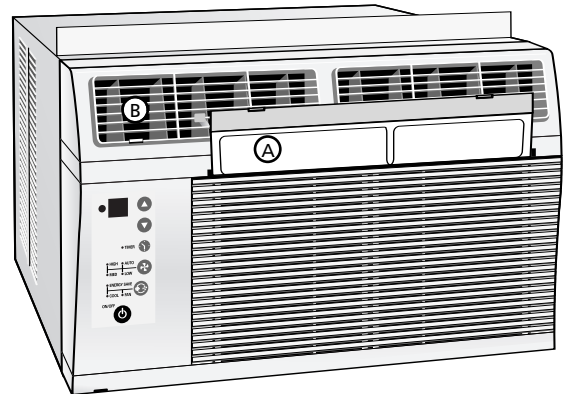


Clean the air filter every two weeks.

Failure to keep air filter clean will result in poor air circulation.

DO NOT operate without filter. This can render the unit inoperative.

23





(A) Filter

(B) Louvers

Troubleshooting Guide

Occurrence	Possible Cause	Solutions
Air conditioner will not operate	<ul style="list-style-type: none"> • Wall plug disconnected. • House fuse blown or circuit breaker tripped. • Unit turned off and then on too quickly. • Adjust thermostat to lower temperature. 	<ul style="list-style-type: none"> • Push plug firmly into wall outlet. • Replace fuse with time delay type or reset circuit breaker. • Wait 3 minutes before restarting. • Adjust thermostat to lower temperature.
Air from unit does not feel cold enough	<ul style="list-style-type: none"> • Unit in Fan mode. • Temperature set too high. • Room temperature below 70°F. 	<ul style="list-style-type: none"> • Set Mode to Cool. • Set thermostat to lower temperature. • Cooling may not occur until room temperature rises above 70°F.
Air conditioner cooling, but room is too warm — ice forming on cooling coil behind decorative front*	<ul style="list-style-type: none"> • Outdoor temperature below 70°F. • Dirty air filter — air restricted. 	<ul style="list-style-type: none"> • To defrost the coil, set mode to Fan. Then, set thermostat to warmer temperature. • Clean filter. See "Cleaning the Air Filter" section. To defrost, set mode to Fan.
Air conditioner cooling, but room is too warm — no ice forming on cooling coil behind decorative front	<ul style="list-style-type: none"> • Dirty air filter — air restricted. • Thermostat set too warm. 	<ul style="list-style-type: none"> • Clean air filter. Refer to "Cleaning Air Filter" section. • Set thermostat to colder temperature.
Noise when unit is cooling	<ul style="list-style-type: none"> • Air movement sound. • Sound of fan hitting water-moisture removal system. • Window vibration — poor installation. 	<ul style="list-style-type: none"> • The sound of rushing air is normal. If too loud, Fan Speed to Low setting. • This is normal when humidity is high. Close doors, windows and registers. • Refer to installation instructions — check with installer.
Water dripping inside when unit is cooling	<ul style="list-style-type: none"> • Improper installation. 	<ul style="list-style-type: none"> • Tilt air conditioner slightly to the outside to allow water drainage. Refer to installation instructions — check with installer.
Water dripping outside when unit is cooling	<ul style="list-style-type: none"> • Unit removing large quantity of moisture from humid room. 	<ul style="list-style-type: none"> • This is normal during excessively humid days.

* Under certain conditions the cooling coils directly behind the filter, may ice up and block the airflow. This is a common occurrence in air conditioners caused when the outside temperature drops below 70°F (21°C) while the humidity remains high. If this happens, simply turn the unit off and allow the ice to melt, then resume normal operation.

 CAUTION 
<p>Before cleaning or servicing this unit, it is recommended that the unit be disconnected from any electrical supply outlet.</p>

How to Obtain Warranty Service or Parts

Note: Before calling for service, carefully read this *Installation and Operations manual*.

For Models Installed in North America :

First make the recommended checks in the Troubleshooting guide. Then, if you still need assistance:

1. Call a CareCo authorized servicer and advise them of model number, serial number, date of purchase and nature of complaint. Service will be provided during normal working hours. Contact your dealer for the name of an authorized servicer, if unknown to you.
2. If your dealer is unable to give you the name of a servicer or if you need other assistance, contact CareCo for the name of an authorized servicer by calling the following toll-free number:

1-800-332-6658

or you may write:

**CareCo, Service Department
415 W. Wabash Ave., P.O. Box 200
Effingham, IL 62401**

For Models Installed Outside North America :

For room air conditioners purchased for use outside North America, the manufacturer does not extend any warranty either expressed or implied. Consult your local dealer for any warranty terms extended by the importer in your country.

Proof of Purchase Date

It is the responsibility of the consumer to establish the original purchase date for warranty purposes. We recommend that a bill of sale, cancelled check, or some other appropriate payment record be kept for that purpose.

Proper use and care of your air conditioner will help ensure longer life of the unit. It is recommended to annually inspect and clean the coils and condensate water passages. Expense of annual inspection is the consumer's responsibility.