

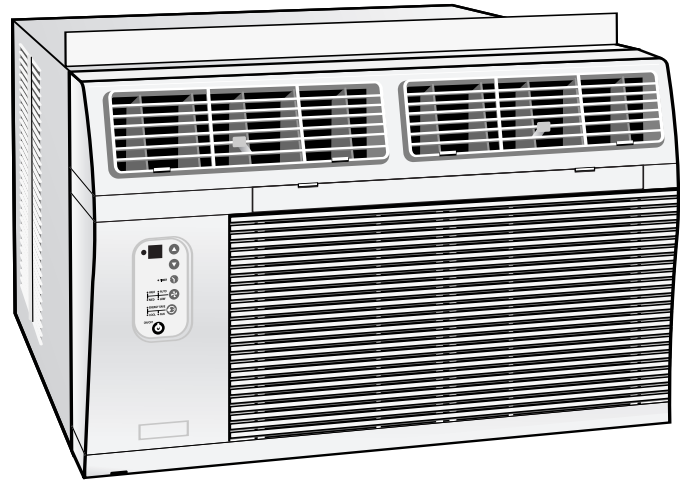
# Climette® Installation and Operating Instructions

## Room Air Conditioners for Double-Hung Windows & Thru the wall installation

### TABLE OF CONTENTS

#### ENGLISH

Important Safety Instructions .....	1
Installation .....	2
Operation .....	7
Maintenance .....	8
How to Obtain Warranty Service or Parts.....	9



E  
N  
G  
L  
I  
S  
H

Keep these instructions for future reference

For additional questions please call  
1-217-347-6459

Features and specifications subject to change without notice.

#### For Future Reference

Write down the model and serial numbers  
The model and serial numbers can be found on the side of the cabinet near the control panel. Use these numbers in any correspondence or service calls concerning your air conditioner.

\_\_\_\_\_  
*Model Number*

\_\_\_\_\_  
*Serial Number*

\_\_\_\_\_  
*Date of Purchase*

## Power Cord with Arc Detection Device

The power cord supplied with this air conditioner is equipped with an Arc Detection Device designed to shut off power to the unit when it senses an arc fault condition. An arc fault is an unintentional electrical discharge that occurs when electrical products or wires are damaged, aged, or improperly used. An arc fault can be potentially hazardous if left undetected.

### ⚠ WARNING ⚠

- Do not remove or modify this plug
- Do not use as an on/off switch
- Do not use outdoors
- Do not push furniture against or place furniture on the electrical cord. This can trip the test switch and/or damage the cord and become a potential condition for arcing
- Do not attempt to repair the cord. If the cord requires replacement, call an authorized servicer.
- The Arc Detection Device is not a Ground Fault Interrupter and should not be used as such
- The Arc Detection Device contains an electronic circuit board and should not be submerged or exposed to water spray

### Resetting

If the Arc Detection Device has tripped, the reset button will pop up.

Follow these steps to reset the Arc Detection Device:

1. Unplug unit from electrical outlet
2. Press the reset button
3. Plug the unit back into electrical outlet
4. Check to see if power has returned to the unit

### Testing

You should test the Arc Detection Device equipped power cord monthly, after every major electrical storm, or if power to your Room Air Conditioner has been interrupted.

Follow these steps to test the Arc Detection Device:

1. Unplug unit from electrical outlet
2. Press the reset button
3. Plug the unit back into electrical outlet
4. Press test button. Unit should trip and reset button will pop up.
5. Press reset button again for use

If above test fails, stop using the air conditioner and contact customer service by calling the following toll-free number: 1-800-332-6658

### ⚠ Warning ⚠

## Electrical Shock Hazard

- Plug unit only into a grounded electrical outlet.
- Do not use an extension cord or plug adapter with this unit.
- Do not operate unit with decorative front or filter removed.
- Failure to follow these precautions could result in electrical shock, fire or personal injury.
- If the air conditioner has a serial plate rating of 115 volts and greater than 7.5 amps, it must have its own fuse or circuit breaker, and no other device or unit should be operated on that fuse or circuit breaker.
- If the air conditioner has a serial plate rating of 230 volts, it must have its own fuse or circuit breaker, and no other device or unit should be operated on that fuse or circuit breaker.
- We recommend that a qualified electrician install unit in accordance with the National Electrical Code and local codes and ordinances.
- Use copper conductors of correct wire gauge and protector size only.
- Do not alter cord or plug end. Do not remove warning label on cord.

## Important Grounding Requirements

- Air conditioner has a three-prong grounding plug on the power supply cord, which must be plugged into a properly grounded three-prong wall receptacle for your protection against possible shock hazard. For models up to and including 7.5 amperes, use a grounding type wall receptacle to match the cord plug.
- For models above 7.5 amperes use a single outlet grounding type wall receptacle to match the cord plug.

### ⚠ Warning ⚠

Do not operate this air conditioner without proper time delay circuit protection (circuit breaker or fuse). Refer to serial plate for proper power supply requirements.

## Recommended Wire Sizes (As installed per building code) :

### PROTECTOR SIZE WIRE GAUGE

15 AMP #14 MINIMUM

20 AMP #12 MINIMUM

30 AMP #10 MINIMUM



125V  
15A



250V  
20A



250V  
15A

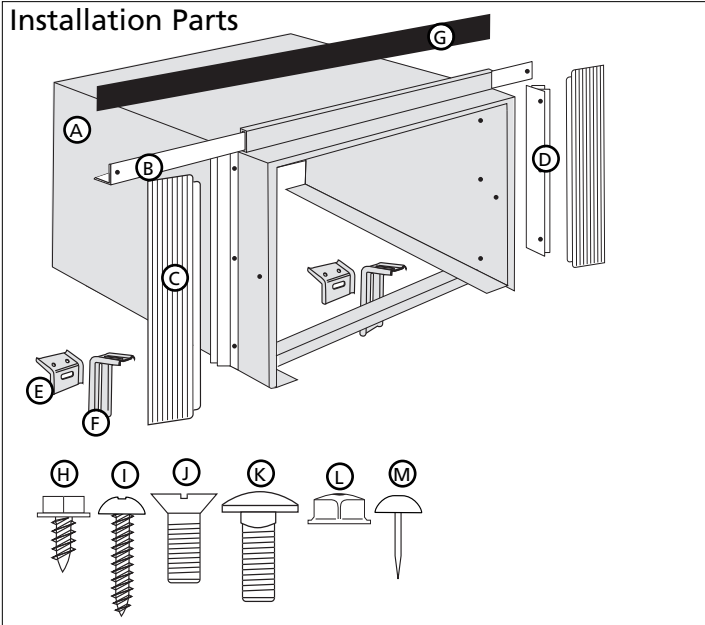


250V  
30A

## Additional Safety Precautions

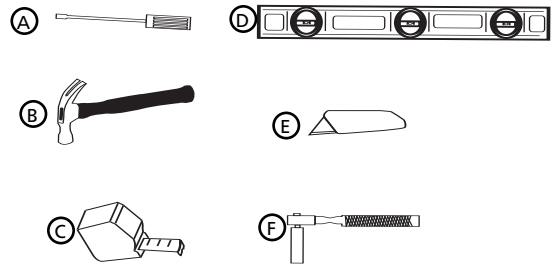
- Do not cut, alter or remove any of the expanded polystyrene (styrofoam) inside this air conditioner.
- Do not store or use gasoline or other flammable vapors and liquids in the vicinity of this or any other appliance. The fumes can create a fire hazard or explosion.
- Do not introduce objects in the air discharge area. This could cause permanent damage.
- Do not pour liquids on the air conditioner as this could cause a malfunction. With the unit unplugged, use a damp cloth for cleaning the unit.
- Do not use strong solvents to clean the air conditioner.
- Clean the air conditioner filter every two weeks to avoid overheating caused by air obstruction. Do not operate without filter.
- Do not obstruct the air intake area of your air conditioner, as this could cause overheating, thus activating the unit's security switch and shutting off the unit.
- Do not block air circulation to outside louvers of cabinet.
- Do not block air flow inside with blinds, curtains, or furniture, or outside with shrubs, enclosures, or other buildings.
- Do not run the air conditioner with an outside protective cover in place. This could result in fire or mechanical damage within the air conditioner.
- Depending on the model, your air conditioner may weigh as much as 95 pounds. To insure safe handling, obtain the necessary help to lift and position the unit during installation and removal.
- Handle air conditioner with care. Wear protective gloves whenever lifting or carrying the unit.
- Carefully inspect the location where the air conditioner will be installed. Be sure it will support the weight of the unit over an extended period of time.

### Installation Parts



- |                     |                                 |
|---------------------|---------------------------------|
| (A) Cabinet         | Fasteners:                      |
| (B) Sliders         | (H) Hex head screw (6)          |
| (C) Filler panel    | (I) 1" long wood screw (6)      |
| (D) Side Seal       | (J) 5/8" long machine screw (2) |
| (E) Sill bracket    | (K) Carriage bolt (2)           |
| (F) Support bracket | (L) Flange nut (4)              |
| (G) Foam            | (M) Upholsterer's tack (6)      |

### Tools Needed



- |                            |                                   |
|----------------------------|-----------------------------------|
| (A) Blade-type screwdriver | (E) Knife                         |
| (B) Hammer                 | (F) Hex driver, ratchet or wrench |
| (C) Rule or tape measure   |                                   |
| (D) Level                  |                                   |

**CAUTION**

Use two or more people to move and install air conditioner. Failure to do so can result in injury.

Use caution when working around exposed sharp edges of the cabinet and sharp coils to avoid injury or torn clothing.

E  
N  
G  
L  
I  
S  
H

### Window Requirements 28 1/2" to 40" Wide

This air conditioner is factory prepared for installation in standard double-hung windows with actual opening width of 28 1/2" to 40" and clear, vertical opening of 21" minimum from bottom of sash to sill.

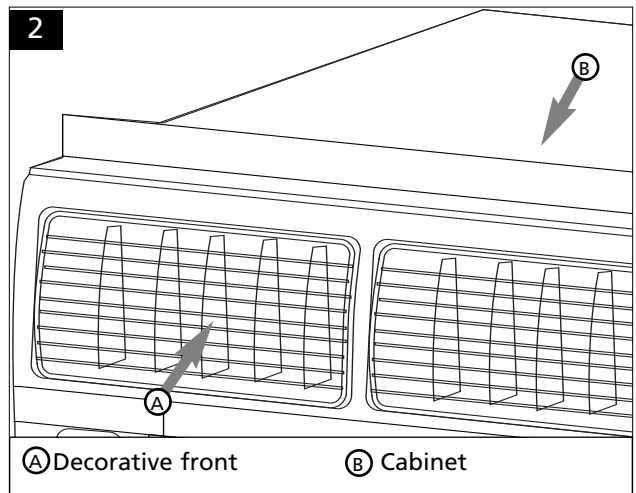
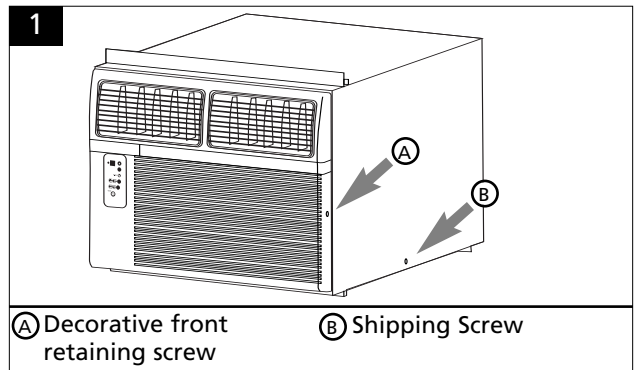
*Note: Unit can be installed in a 27" wide window, if cabinet side seals are not installed. Use foam seal to fill any openings between the sides of the cabinet and the window stop molding.*

### Decorative Front Removal

Detach front panel from cabinet by removing attachment screws on both sides of unit (Fig. 1).

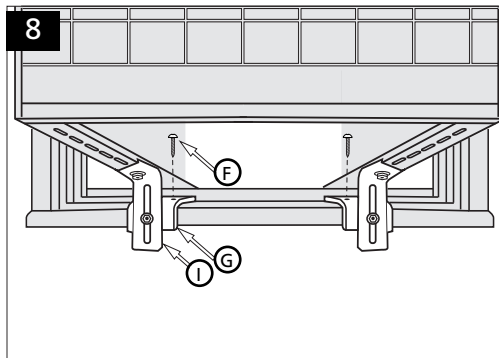
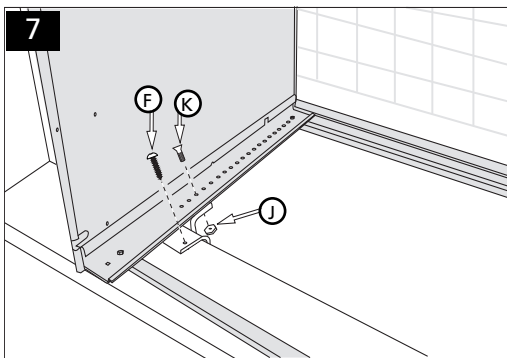
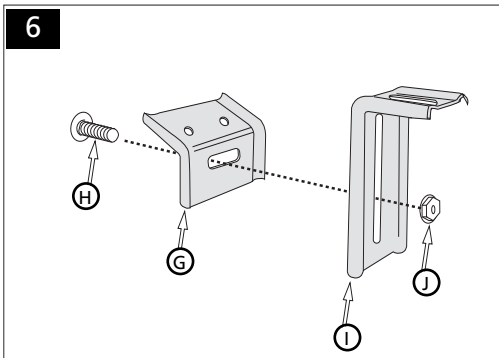
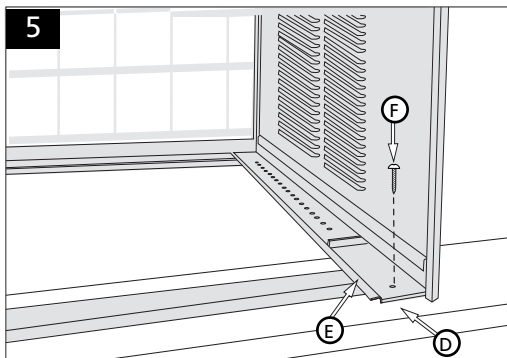
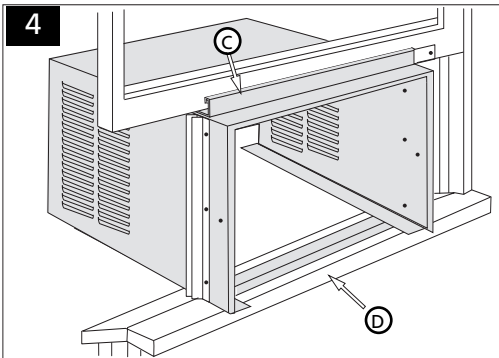
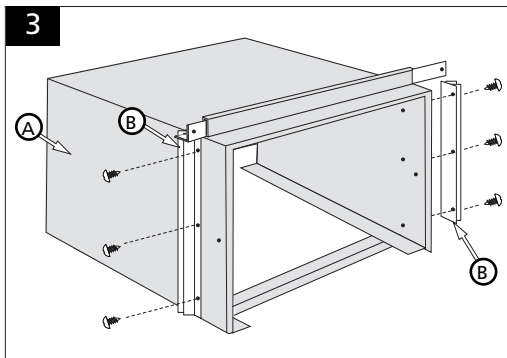
### Removing the Chassis

Remove the two (2) shipping screws from both sides of the cabinet. Slide the chassis out of the cabinet by pulling the chassis forward while bracing the cabinet (Fig. 1).



## Installing Cabinet in Window (Flush Mount)

1. Attach cabinet side seals to the existing holes in the cabinet using the six (6) screws supplied (Fig. 3).
2. Open window and mark the center of window sill. Carefully place cabinet in window and align center mark on the bottom tie bar with the center mark on the window sill.
3. Close window until it touches behind top retainer bar. Do not close window so tightly that sliders cannot move. (Do not release your grip on the cabinet until the lower window sash is in its final position.) (Fig. 4)
4. Attach the cabinet to the window sill by driving two (2) 1" long screws through each cabinet track into the window sill (Fig. 5).
5. Loosely attach the sill bracket to the support bracket, using the carriage bolt and flange nut (Fig. 6).
6. Using 5/8" long machine screw and flange nut, attach the support bracket to the cabinet track. Use the track hole that aligns with the sill bracket on the outer edge of the window sill (Fig. 7).
7. Attach the sill bracket to the window sill using 1" long screws.
8. Tighten the carriage bolt and flange nut. (Fig. 8)
9. Be sure cabinet maintains its outward pitch. This allows air conditioner to slant slightly downward (1/2 bubble off on a carpenter's level) on the outside and prevents water in the bottom pan from entering the room.



- (A) Cabinet
- (B) Cabinet Side seal
- (C) Top retainer bar
- (D) Center of window sill
- (E) Cabinet Track
- (F) 1" long screw
- (G) Sill Bracket
- (H) Carriage bolt
- (I) Support bracket
- (J) Flange nut
- (K) 5/8" long machine screw

### CAUTION

All supporting parts should be secured to firm wood, masonry or metal.

Do not block air circulation to outside louvers of cabinet.

## Installation Other Than Flush Mount

In order to install the unit with more of it projecting into the room, it will be necessary to relocate the top retaining bar, side seals and bottom tie bar.

1. Check to make sure the cabinet's outside side louvers will not be blocked when the unit is moved farther into the room.
2. Remove the top retainer bar, cabinet side seals and bottom tie bar from the cabinet. Relocate them for the desired
3. Using the top retaining bar and cabinet side seals as templates, locate and drill five (5) 7/32" mounting holes on the top of the cabinet and three (3) on each cabinet side.
4. Use sealing material to fill the holes in the cabinet top and sides that become exposed when the top retaining bar and cabinet side seals were relocated.
5. Follow all preceding instructions.

projection into the room.

## Installing the Window Filler Panels

1. Measure distance "X" between the face of the window stop molding and the side of the cabinet (Fig. 9).

*Note: Measure both sides of unit separately.*

2. Subtract one groove (3/16") from "X" measurement to obtain the required width. Using a sharp knife, score the groove until the filler panel becomes weak enough to break apart (Fig. 10).

3. Insert cut edge of the filler panel into the cabinet side seal groove (position 1). Leave a small space at the bottom of the cabinet side seal groove (Fig. 11).

Rotate the filler panel backward toward the window frame until the filler panel clears the window sill. Push the filler panel down against the window sill (position 2).

Slide the filler panel out from the air conditioner cabinet until the filler panel flange contacts the window stop molding (position 3) (Fig. 12).

4. Attach the filler panel to the face of the window stop molding by driving upholsterers' tacks through the holes in

the filler panel flange (Fig. 13).

5. Pull the sliders out until the sliders contact the face of the window stop molding (Fig. 14).

6. Pull bottom window sash down tightly and lock it in place by installing a 5/8" long screw through the hole in the slider into the window sash (Fig. 14).

7. Cut the plastic foam seal to proper length and insert it between the upper and the lower window sash.

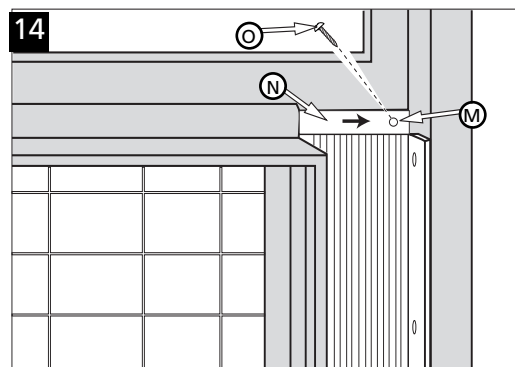
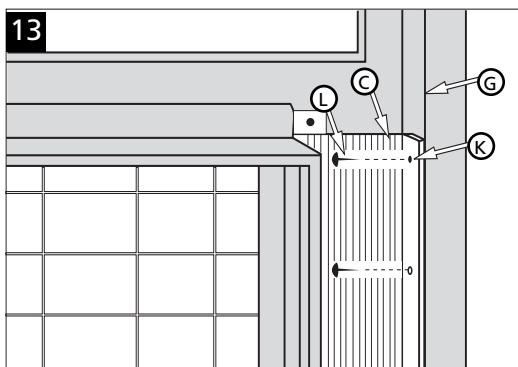
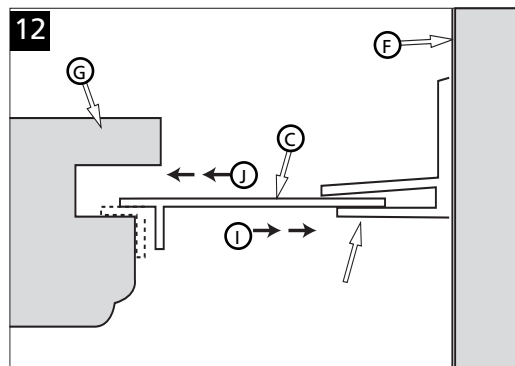
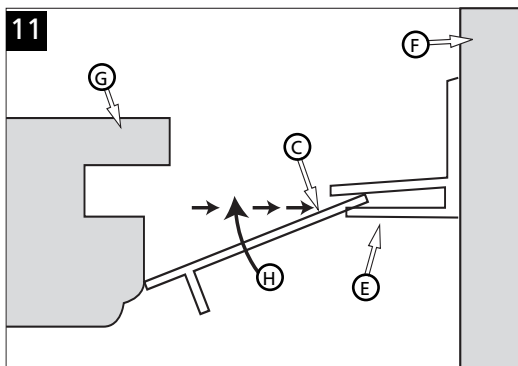
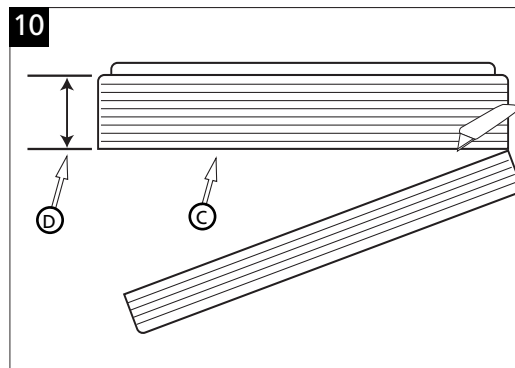
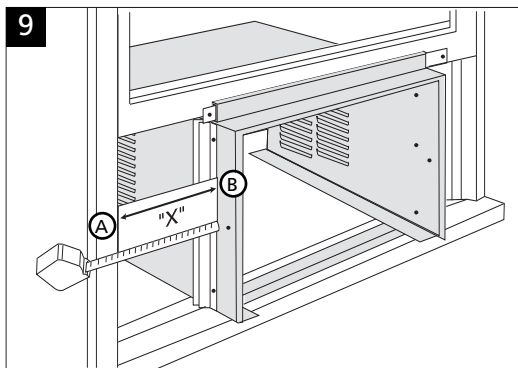
## Installing the Chassis into the Cabinet

1. Slide the chassis into the cabinet.

2. Reattach the screws on both sides of the decorative front. Make sure the power cord aligns with the power cord slot on the bottom of the decorative front. Make sure the decorative front is secure before reconnecting the plug and operating the unit.

4. Cut plastic foam seal to width of window and install between upper and lower window sash.

5. Use latex or silicone sealant (not supplied) to fill any minor openings.



- (A) Face of window stop molding
- (B) Side of cabinet
- (C) Filler Panel
- (D) "X" minus one groove (3/16")
- (E) Cabinet side seal
- (F) Cabinet
- (G) Window stop molding
- (H) Position 1
- (I) Position 2
- (J) Position 3
- (K) Holes in flange
- (L) Upholsterers' tacks
- (M) Hole in slider
- (N) Slider
- (O) 1" long screw

## Through-the-wall Installation

This air conditioner is designed as a slide-out type chassis, making it possible to install it through-the-wall in both existing and new construction. We recommend that this type of installation be performed with professional assistance.

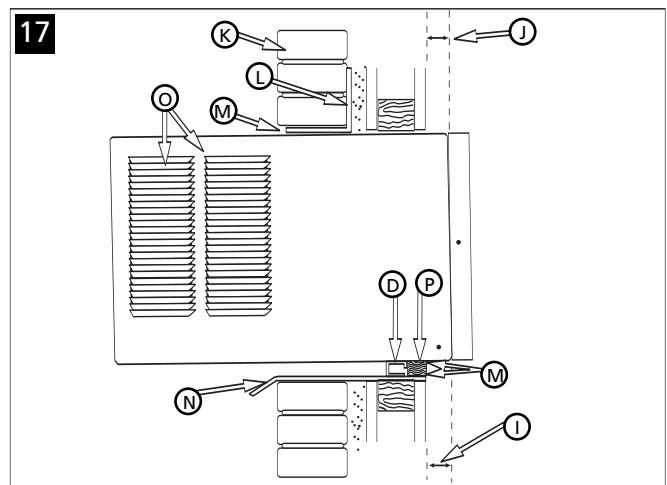
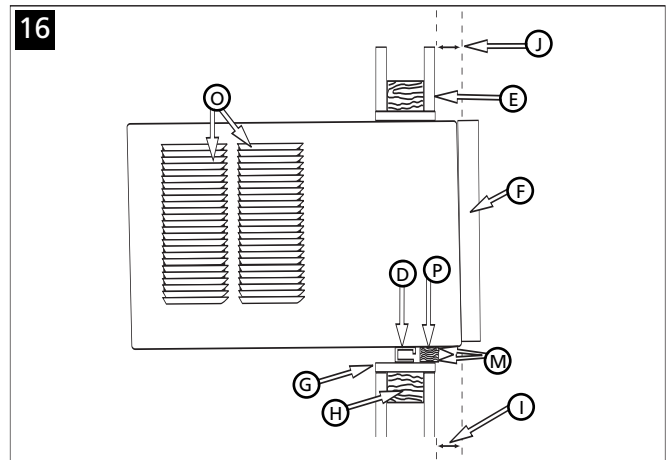
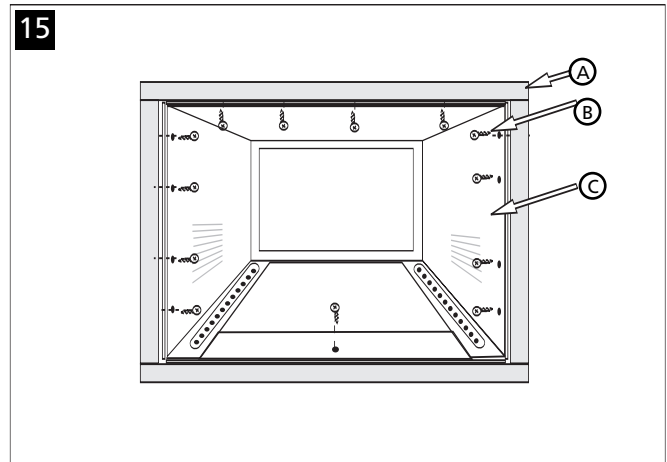
- **IMPORTANT:** This appliance must be installed according to all applicable electrical and building codes and ordinances.
- It is recommended that you have help to install your unit and that you use proper lifting technique to avoid personal injury.
- It is important that you inspect the condition of the wall where the air conditioner will be installed.
- Be sure the wall can support the weight of the unit.
- All cabinet louvers **MUST BE** on the outdoor side of the wall. **DO NOT BLOCK SIDE LOUVERS.**
- The cabinet must be installed level from side-to-side and with a downward tilt from inside to outside.

The instructions below are for a typical wall installation. Your application may vary. Please consult your authorized dealer or importer before attempting any installation not covered in this manual.

1. First remove the Decorative front panel and chassis from the cabinet, then remove top bar from the cabinet.
2. Determine the size of the opening for a wood frame by adding 1/8" to the width and height of the cabinet. Measure height from top of cabinet to bottom of bar. Add this measurement to the thickness of wood used to build the frame. This will determine the size of wall opening needed. Minimum 1" thick lumber is recommended when building the frame. When determining finish frame thickness, be sure not to cover side louvers on the cabinet.
3. Install the finished frame in the wall opening square and level, nail or screw it securely to the wall and place the cabinet into the framed wall opening.
4. Make sure cabinet projects into the roomside of the wall 1 1/4" at the top and 1 1/2" at the bottom to ensure proper tilt and access to the anti-theft screw, then fasten cabinet to the frame by drilling twelve (12) 1" wood screws (not supplied) through the cabinet and into the frame.

If installation is made in a building with brick veneer construction, a steel angle lintel must be used to support the bricks above the cabinet.

5. Install a 3/4" X 1 1/2" wood filler strip between the bottom bar and the interior, caulk both top and bottom of this strip. After cabinet is installed caulk all openings, inside and outside between finish frame and cabinet to prevent moisture from getting to the interior of the wall. Use of flashing (drip rail) will further prevent water from dripping inside the wall.
6. Install chassis into cabinet.



- |  |                          |
|--|--------------------------|
| (A) Wood frame   | (H) 2" Wood frame        |
| (B) 1" wood screws   | (I) 1 1/2" space         |
| (C) Cabinet  | (J) 1 1/4" space         |
| (D) Bottom Bar   | (K) Brick veneer         |
| (E) Interior wall  | (L) Lintel angle         |
| (F) Decorative Front   | (M) Caulking             |
| (G) Minimum 1x6 wood support (nailed or screwed to wood frame) | (N) Flashing (drip rail) |
|  | (O) Side louvers         |
|  | (P) Wood filler strip    |



## Condensate Drain

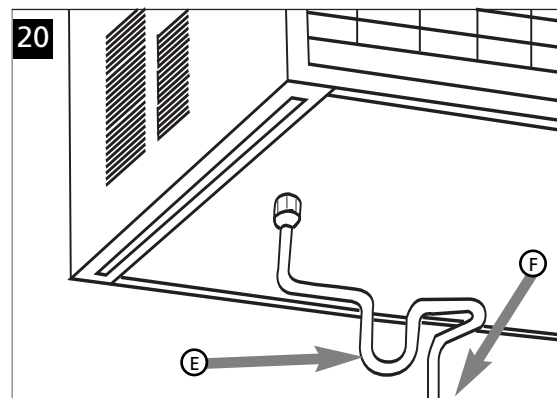
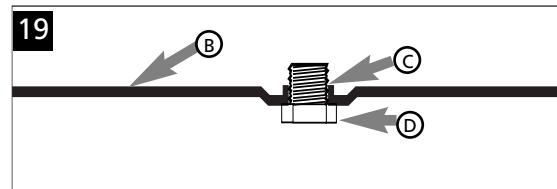
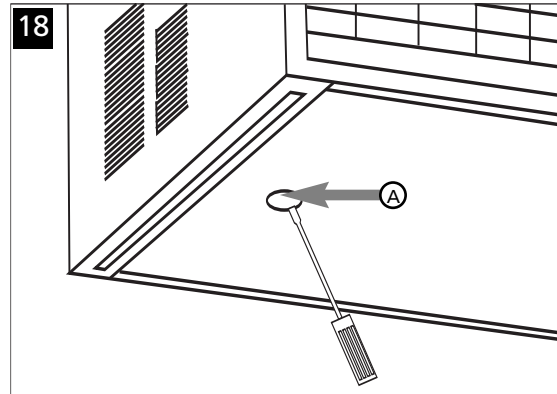
A condensate drain is provided to divert excess water when air conditioner is installed over a doorway or sidewalk.

1. Pry cap plug from the condensate drain (located on underside of bottom pan). Use a 3/8" pipe tap and fully thread the condensate drain (Fig. 18).
2. Screw a 3/8" pipe fitting into the condensate drain. The fitting should be protruding approximately 1/2" above the bottom pan when fully threaded into the condensate drain (Fig. 19).
3. If an open drain source is used to dispose of condensate, plastic or rubber tubing may be run directly from the pipe fitting to the open drain source. If closed drain source (internal structural plumbing) is used, a "P" trap must be between the 3/8" pipe fitting and the closed drain source (Fig. 20).

Consult your authorized dealer or importer for alternative installation instructions.

Unit is designed to operate with approximately 1/2" of water in bottom pan.

Do not remove the cap plug, unless the condensate drain is used.



- Ⓐ Cap plug
- Ⓑ Bottom pan
- Ⓒ Condensate drain
- Ⓓ 3/8" pipe fitting fully threaded into condensate drain
- Ⓔ "P" trap
- Ⓕ To closed drain source

## (A) Power Control

The Power Control turns the unit on and off.

## (B) Set Temperature/ Timer Display

Shows the set temperature when the unit is in operation and hours when the timer is being set. *THE TEMPERATURE DISPLAY ONLY SHOWS THE SET TEMPERATURE, NOT THE ACTUAL ROOM TEMPERATURE.*

## (C) Temperature/ Timer Hour Controls

These buttons are used to raise or lower the set temperature. By depressing both buttons at once, the display will toggle between Celsius and Fahrenheit. When the timer is being set, these buttons are used to change the hour setting in increments of 1 hour from 00 to 24.

## (D) Mode Control

A green light will indicate which mode is currently being utilized.

Cool Mode – The unit will circulate and cool the air.

Fan Mode – The unit will only circulate the air.

Energy Saver Mode – The fan will switch from the set fan speed to LOW whenever the compressor turns off in response to the thermostat. When the compressor cycles back on, the unit will return to the original fan setting.

## (E) Fan Speed Control- High, Low, and Auto

The fan speed is adjusted with the Fan Speed Control, each time the button is depressed it changes the setting. A green light will indicate which setting is currently being used.

Auto Feature –When the AUTO feature is selected while the air conditioner is in the COOL mode, the fan speeds will change automatically as the temperature in the room changes.

- (F) • High fan: If the room temperature is 4° or more above the set temperature.
- Low fan: If the room temperature is less than 4• above the set temperature.

**Timer Control** *The timer can be set to either turn the unit on or off.*

To turn the unit on using the Timer:

Depress the timer key when the power is off, the display will read 00. Adjust to the desired number of hours before TURN ON using the up/down arrows.

The display will show the time by hours left until TURN ON.

To Turn the timer off, depress the timer key.

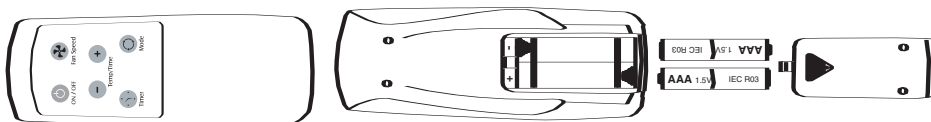
A green light next to the Timer Control indicates that the timer is set.

To turn the unit OFF using the Timer:

Depress the timer key when the power is on, the display will read 00. Adjust to the desired number of hours before TURN OFF using the up/down arrows. The display will automatically go back to the set temperature after 10 seconds.

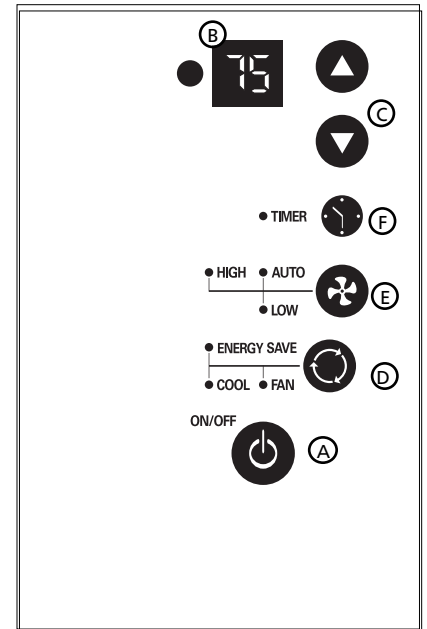
To display the amount of time left until TURN OFF, depress the timer button once. To turn the TIMER OFF, depress the timer button twice. A green light next to the Timer Control indicates that the timer is set.

## Air Conditioner Remote Control



### CAUTION

- Use only AAA or IEC R03 1.5V batteries.
- Remove the batteries if the remote controller is not used for a month or longer.
- Do not attempt to recharge the supplied batteries
- All batteries should be replaced at the same time.
- Do not dispose of the batteries in a fire as they may explode.
- Do not mix old and new batteries.
- Do not install the batteries with the polarity (+/-) reversed.
- Keep batteries and other things that could be swallowed away from young children. Contact a doctor immediately if an object is swallowed.



- (A) Power Control
- (B) Temperature/Timer Display
- (C) Temperature/Timer Controls
- (D) Mode Control
- (E) Fan Speed Control
- (F) Timer On/Off

## Built-in three minute timing delay.

If this electronic unit will not respond to touch pad or remote control commands, it is necessary to unplug the unit from the electrical outlet for five seconds and then plug the unit back in.

## Auto restart feature:

In the event of a power failure, this feature allows the unit to resume operation once power has been restored, retaining the most recent settings. Upon restoration of power, the timer mode may need to be reset if being utilized.

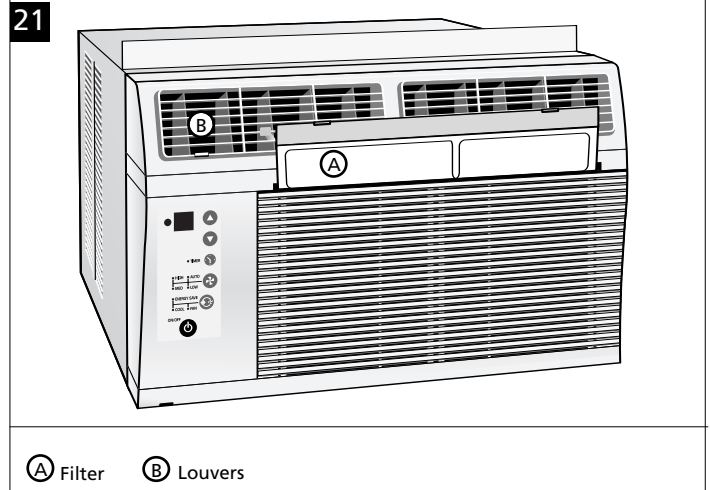


### Directing Airflow

Unit is engineered with adjustable louvers to direct discharge airflow. Louvers are manually adjusted by moving levers in direction of desired airflow (Fig. 21).

### Cleaning Air Filter *EVERY TWO WEEKS: Clean the filter.*

1. Turn unit off.
2. Remove the air filter by grasping the top corners and pulling it up and out of the unit (Fig. 21).
3. Wash in hot soapy water, rinse and shake dry.
4. Replace the filter, with the front of the filter toward you.
5. To dry the filter thoroughly, run your unit for a few minutes. Remember, only a clean filter works properly and delivers top efficiency at every setting.



(A) Filter (B) Louvers

**CAUTION**  
 Failure to keep air filter clean will result in poor air circulation. DO NOT operate without filter. This can render the unit inoperative.

Proper use and care of your air conditioner will help ensure longer life of the unit. It is recommended to annually inspect and clean the coils and condensate water passages. Expense of annual inspection is the consumers' responsibility.

E  
N  
G  
L  
I  
S  
H

### Troubleshooting Guide To save time and expense, check the following before calling an authorized servicer.

Occurrence	Possible Cause	Solutions
Air conditioner will not operate	<ul style="list-style-type: none"> <li>• Wall plug disconnected.</li> <li>• House fuse blown or circuit breaker tripped.</li> <li>• Unit turned off and then on too quickly.</li> <li>• Thermostat set too low for cooling.</li> </ul>	<ul style="list-style-type: none"> <li>• Push plug firmly into wall outlet.</li> <li>• Replace fuse with time delay type or reset circuit breaker.</li> <li>• Wait 3 minutes before restarting.</li> <li>• Adjust thermostat to lower temperature.</li> </ul>
Air from unit does not feel cold enough	<ul style="list-style-type: none"> <li>• Unit in Fan mode.</li> <li>• Temperature set too high.</li> <li>• Room temperature below 70°F.</li> </ul>	<ul style="list-style-type: none"> <li>• Set Mode to Cool.</li> <li>• Set thermostat to lower temperature.</li> <li>• Cooling may not occur until room temperature rises above 70°F.</li> </ul>
Air conditioner cooling, but room is too warm — temperature. ice forming on cooling coil section. behind decorative front	<ul style="list-style-type: none"> <li>• Outdoor temperature below 70°F.</li> <li>• Dirty air filter — air restricted.</li> </ul>	<ul style="list-style-type: none"> <li>• To defrost the coil, set mode to Fan. Then, set thermostat to warmer</li> <li>• Clean filter. See "Cleaning the Air Filter"</li> <li>• To defrost, set mode to Fan.</li> </ul>
Air conditioner cooling, but room too warm — NO ice forming on cooling coil behind decorative front	<ul style="list-style-type: none"> <li>• Dirty air filter — air restricted.</li> <li>• Thermostat set too warm.</li> </ul>	<ul style="list-style-type: none"> <li>• Clean air filter. Refer to "Cleaning Air Filter" section.</li> <li>• Set thermostat to colder temperature.</li> </ul>
Noise when unit is cooling loud,	<ul style="list-style-type: none"> <li>• Air movement sound.</li> <li>• Sound of fan hitting water-moisture removal system.</li> <li>• Window vibration — poor installation.</li> </ul>	<ul style="list-style-type: none"> <li>• The sound of rushing air is normal. If too Fan Speed to Low setting.</li> <li>• This is normal when humidity is high. Close doors, windows and registers.</li> <li>• Refer to installation instructions — check with installer.</li> </ul>
Water dripping inside when unit is cooling	<ul style="list-style-type: none"> <li>• Improper installation.</li> </ul>	<ul style="list-style-type: none"> <li>• Tilt air conditioner slightly to the outside to allow water drainage. Refer to installation instructions — check with installer.</li> </ul>
Water dripping outside when unit is cooling	<ul style="list-style-type: none"> <li>• Unit removing large quantity of moisture from humid room.</li> </ul>	<ul style="list-style-type: none"> <li>• This is normal during excessively humid days.</li> </ul>

**CAUTION**  
 Before cleaning or servicing this unit, it is recommended that the unit be disconnected from any electrical supply outlet.

**How to Obtain Warranty Service**

Service for your Room Air Conditioner will be provided by CareCo through its network of Authorized Independent Servicers nationwide.

Note: Before calling for service, carefully read the "Installation and Operating Instructions" booklet. Then if you need service:

1. Call a CareCo authorized service contractor and advise of the model number, serial number, date of purchase and the nature of your complaint. Service will be provided during normal working hours. Contact your dealer for the name of an authorized service contractor, if unknown to you.

2. If your dealer is unable to give you the name of a service contractor or if you need other assistance, call CareCo at

**1-800-332-6658**

or write:

CareCo

415 Wabash Avenue

Effingham, IL 62401

**Proof of Purchase Date**

It is the responsibility of the consumer to establish the original purchase date for warranty purposes. We recommend that a bill of sale, canceled check or some other appropriate payment record be kept for that purpose.