

This Owner's Manual is provided and hosted by [Appliance Factory Parts](#).



Uniflame WAD850SP Owner's Manual

[Shop genuine replacement parts for Uniflame
WAD850SP](#)

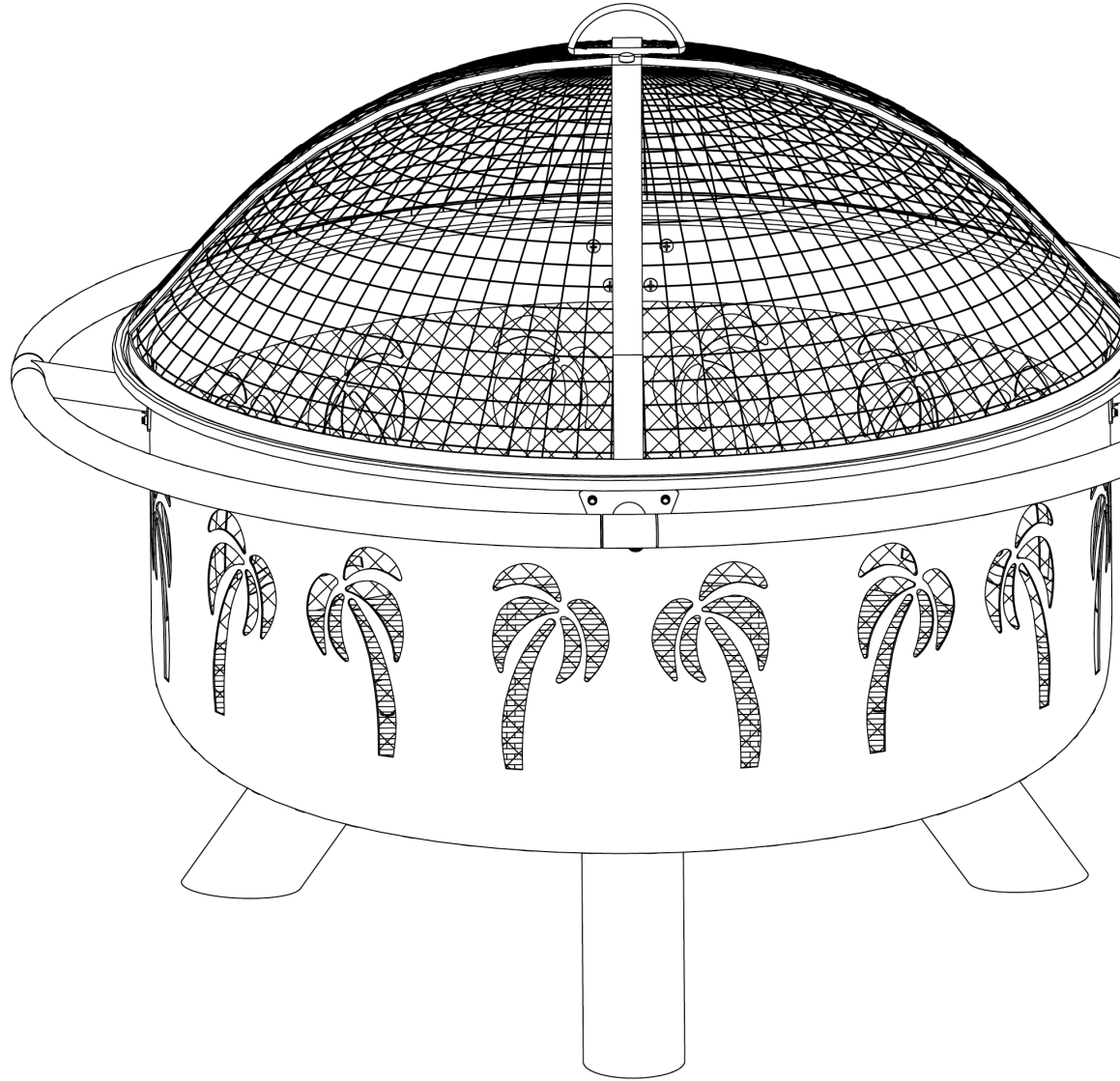


[Find Your Uniflame HVAC Parts - Select From 19 Models](#)

----- Manual continues below -----

Outdoor Fireplace

Model No. WAD850SP



 **WARNING**
FOR YOUR SAFETY:
For Outdoor Use Only
(outside any enclosure)

 **WARNING**
FOR YOUR SAFETY:
1. Improper installation, adjustment, alteration,

Table of Contents

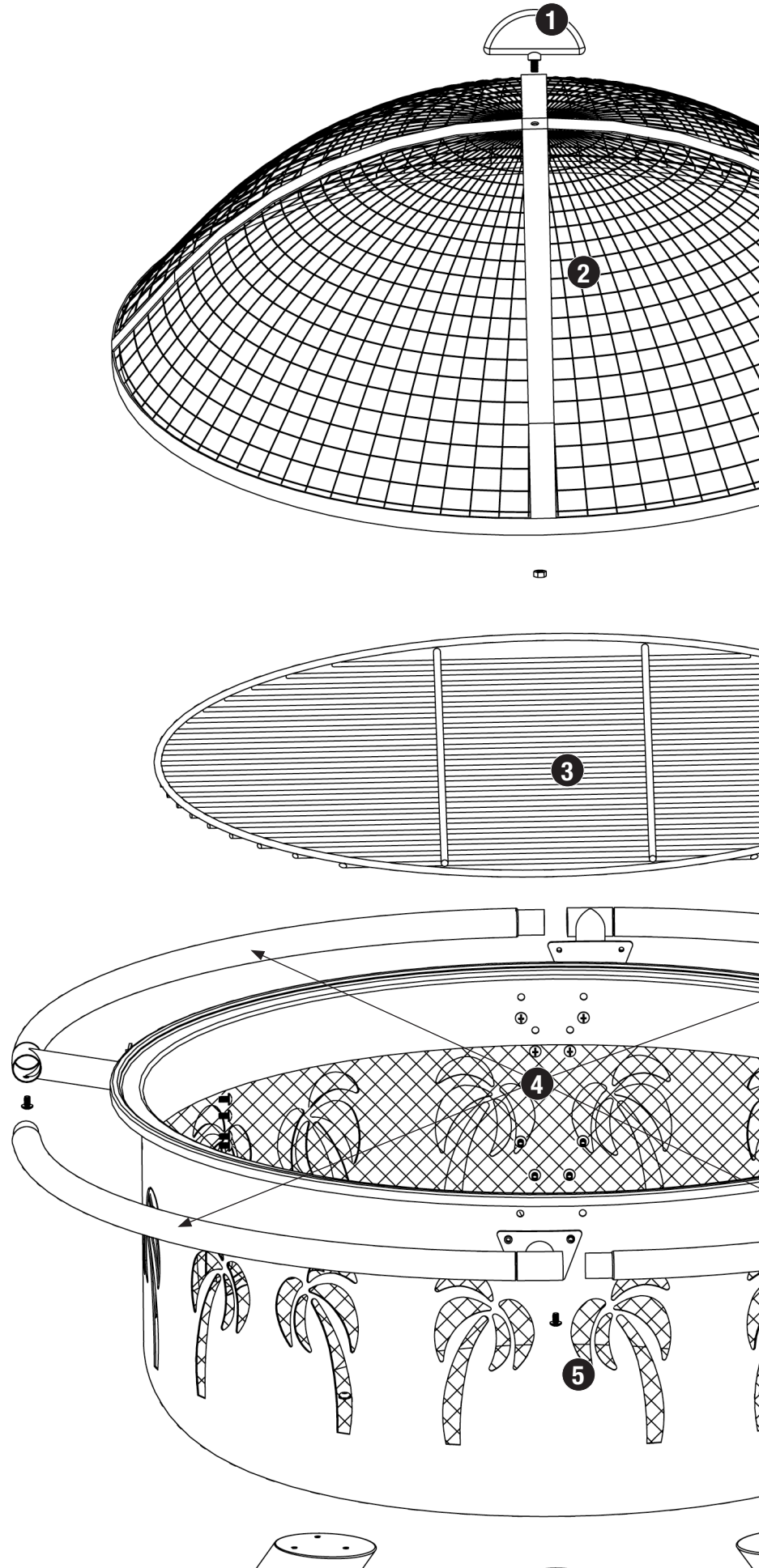
- Important Safeguards
- Exploded View & Hardware
- Assembly Instructions
- Operating Instructions
- Lighting
- Tending the Fire

Contact 1.800.762.1142 for assistance. Do not return to place of purchase.

Parts List

1	Spark Guard Handle	55-05-530
2	Spark Guard	55-05-531
3	Wood Grate	55-05-532
4	Rail (4)	55-05-533
5	Bottom Bowl	55-12-748
6	Leg (3)	55-05-535

Exploded View



Assembly Instructions

1

DO NOT RETURN PRODUCT TO STORE.

For assistance call **1.800.762.1142** toll free. Please have your owner's manual and model number available for reference.

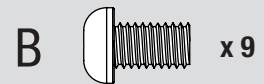
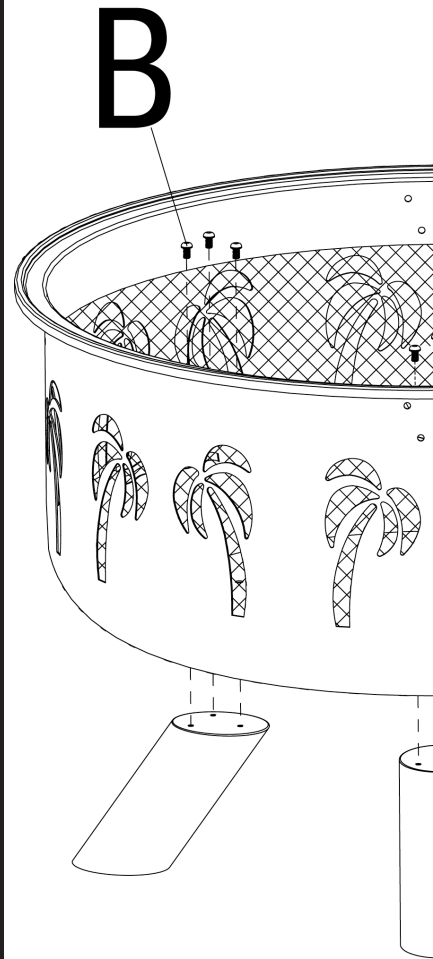
For Easiest Assembly:

- To avoid losing any small components or hardware, assemble your product on a hard level surface that does not have cracks or openings.
- Clear an area large enough to layout all components and hardware.
- When applicable, tighten all hardware connections by hand first. Once the step is completed go back and fully tighten all hardware.
- Follow all steps in order to properly assemble your product.

Typical assembly: approximately 30 minutes.

2

Attach Legs



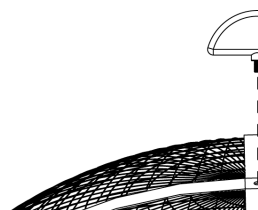
3

Attach Rails



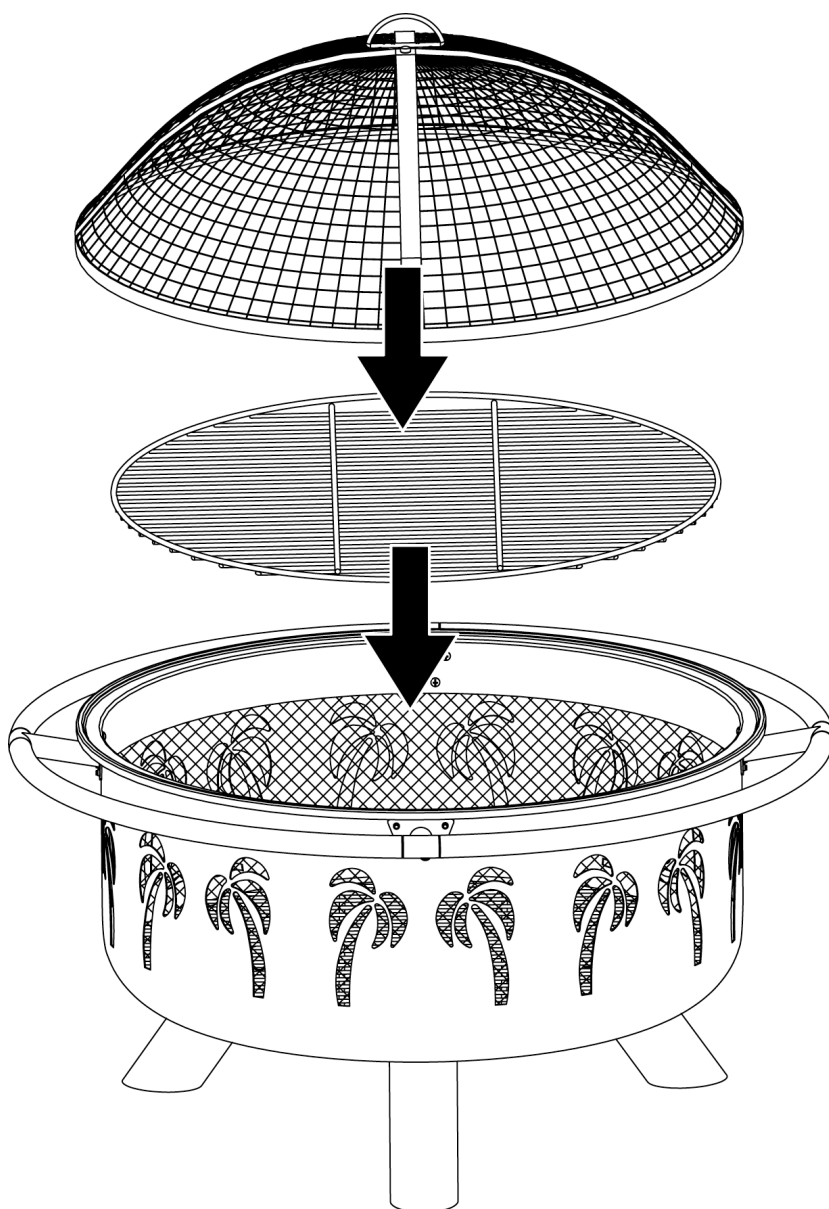
4

Attach Handle



5

Insert Wood Grid and Spark Guard



Operating Instructions

⚠ WARNING: Before using this outdoor fireplace, read, understand and are following the Important Safeguards presented in the instructions. Failure to follow these instructions can cause death, serious injury or property damage.

Lighting

1. Make sure there is only a small amount of ash in the fireplace.
2. Place a layer of dry kindling or a natural firestarter on the grate.
3. Place above that a layer of dry seasoned hardwood logs, 3/4 the diameter of the bowl.
4. Use a match to light kindling or firestarter.
5. Using a hook and heat resistant gloves, replace the spark guard when the fire is lit.

Tending the Fire

You may need to shift and/or add logs for an ideal fire.

Do NOT place a hot spark guard or hot fireplace on flammable surfaces such as grass, wooden decks, etc.

1. Using a hook and heat resistant gloves, carefully remove the spark guard.
2. While using a long handled fireplace tool, shift logs to the center of the fireplace.
3. Do NOT add gasoline, kerosene, diesel fuel, or other flammable liquids to an existing fire.
4. Wait until glowing coals have developed before adding more wood. If more wood is required, place wood on top coals. Burn until glowing coals have developed before adding more wood.
4. Using a hook and heat resistant gloves, replace the spark guard.

Extinguishing

1. Allow fire to burn itself out.
2. Do NOT use water to extinguish as this is dangerous. Use a fire extinguisher if necessary.

Cleaning and Care

Inspecting

This outdoor fireplace should be inspected on a regular basis throughout its longer product life.

Do NOT attempt to inspect this outdoor fireplace if you are not qualified.

1. Check handles to make sure they are secure.
2. Check components for any signs of damage.
3. If damage to any component is detected, do not use the fireplace until the damage is repaired.



Product Registration

For faster warranty service, please register your product immediately at www.bluerhino.com or call 1.800.762.1142.

Limited Warranty

Blue Rhino Global Sourcing, Inc ("Vendor") warrants to the original retail purchaser of this product, and to no other person, that if this product is assembled and operated in accordance with the printed instructions accompanying it, then for a period of one (1) year from the date of purchase, all parts in such product shall be free from defects in material and workmanship. Vendor may require reasonable proof of your date of purchase. Therefore, you should retain your sales slip or invoice. This Limited Warranty shall be limited to the repair or replacement of parts, which prove defective under normal use and service and which Vendor shall determine in its reasonable discretion upon examination to be defective. Before returning any parts, you should contact Vendor's Customer Service Department using the contact information listed below. If Vendor confirms, after examination, a defect covered by this Limited Warranty in any returned part, and if Vendor approves the claim, Vendor will replace such defective part without charge. If you return defective parts, transportation charges must be prepaid by you. Vendor will return replacement parts to the original retail purchaser, freight or postage prepaid.

This Limited Warranty does not cover any failures or operating difficulties due to accident, abuse, misuse, alteration, misapplication, improper installation or improper maintenance or service by you or any third party, or failure to perform normal and routine maintenance on the product as set out in this owner's manual. In addition, the Limited Warranty does not cover damage to the finish, such as scratches, dents, discoloration, rust or other weather damage, after purchase.

This Limited Warranty is in lieu of all other express warranties. Vendor disclaims all warranties for products that are purchased from sellers other than authorized retailers or distributors, including the warranty of merchantability or the warranty of fitness for a particular purpose. **VENDOR ALSO DISCLAIMS AND ANY ALL IMPLIED WARRANTIES, INCLUDING WITHOUT LIMITATION THE IMPLIED WARRANTIES OF MERCHANTABILITY AND FITNESS FOR A PARTICULAR PURPOSE. VENDOR SHALL NO LIABILITY TO PURCHASER OR ANY THIRD PARTY FOR ANY SPECIAL, INDIRECT, PUNITIVE, INCIDENTAL, OR CONSEQUENTIAL DAMAGES.** Vendor further disclaims any implied or express warranty of, and assumes no responsibility for, defects in workmanship caused by third parties.

This Limited Warranty gives the purchaser specific legal rights; a purchaser may have other rights depending upon where he or she lives. Some jurisdictions do not allow the exclusion or limitation of special, incidental or consequential damages, or limitations on how long a warranty lasts, so the above exclusion and limitations may not apply to everyone.

Vendor does not authorize any person or company to assume for it any other obligation or liability in connection with the sale, installation, use, removal, return, or replacement of its equipment, and no such representations are binding on Vendor.

Blue Rhino Global Sourcing, Inc
Winston-Salem, North Carolina USA
(800) 762-1142

Contact 1.800.762.1142 for assistance. Do not return to place of purchase.

