

READ BEFORE USE
LIRE AVANT D'UTILISER
LEA ANTES DE USAR

Visit hamiltonbeach.com for
delicious recipes, tips, and to register
your product online!



Consulter hamiltonbeach.ca pour les
recettes délicieuses, conseils pratiques,
et pour enregistrer votre produit!

Visite hamiltonbeach.com.mx para
recetas deliciosas, consejos, y para
registrar su producto en línea.

Questions?

Please call us – our friendly
associates are ready to help.
USA: 1.800.851.8900

Questions?

N'hésitez pas à nous appeler –
nos associés s'empresseront
de vous aider.
CAN: 1.800.267.2826

¿Preguntas?

Por favor llámenos – nuestros
amables representantes están
listos para ayudar.
MEX: 01 800 71 16 100

*Le invitamos a leer cuidadosamente
este instructivo antes de usar su
aparato.*

**Hamilton
Beach®**

Dual Wave™ Blender
Mélangeur
Licudora



English	2
Français	12
Español	22

IMPORTANT SAFEGUARDS

When using electrical appliances, basic safety precautions should always be followed to reduce the risk of fire, electric shock, and/or injury to persons, including the following:

1. Read all instructions.
2. To protect against risk of electrical shock, do not put cord, plug, base, or motor in water or other liquid.
3. Close supervision is necessary when any appliance is used by or near children.
4. Unplug cord from outlet when not in use, before putting on or taking off parts, and before cleaning.
5. Avoid contacting moving parts.
6. Do not operate any appliance with a damaged cord or plug, or after appliance malfunctions, or is dropped or damaged in any manner. Call our toll-free customer service number for information on examination, repair or electrical or mechanical adjustment.
7. The use of attachments, including canning jars, not recommended or sold by the appliance manufacturer may cause a risk of injury to persons.
8. Do not use outdoors.
9. Do not let cord hang over edge of table or counter, or touch hot surfaces, including the stove.
10. Keep hands and utensils out of jar while blending to reduce the risk of severe injury to persons or damage to the blender. A rubber spatula may be used but must be used only when blender is not running.
11. Blades are sharp; handle carefully—especially when assembling, disassembling or cleaning inside blender jar.
12. Do not use a broken, chipped, or cracked blender jar.
13. Do not use broken, cracked, or loose cutting blades.
14. To reduce the risk of injury, never place cutting assembly blades on base without jar properly attached.
15. Always operate blender with lid in place.
16. Only blend hot liquids in large-capacity 80-ounce jar. Remove center-piece of two-piece lid. Hot liquids may push lid off jar during blending. To prevent possible burns: do not fill 80-ounce jar beyond the 6 cup (1500 ml) level. With the protection of an oven mitt or thick towel, place one hand on top of lid. Keep exposed skin away from lid. Start blending at lowest speed.
17. Do not blend hot liquids in the small capacity Stay or Go™ Personal Blending Jars.
18. Screw on cutting assembly firmly. Injury can result if moving blades accidentally become exposed.
19. If the jar should turn when the motor is switched ON, switch OFF immediately and tighten jar onto cutting assembly.
20. Do not leave blender unattended while it is operating.
21. To disconnect cord, turn the control to OFF. Then remove plug from wall outlet.
22. Do not use appliance for other than intended purpose.

SAVE THESE INSTRUCTIONS!

OTHER CONSUMER SAFETY INFORMATION

This appliance is intended for household use only. Use for food or liquids only.

WARNING! Shock Hazard: This appliance has a polarized plug (one wide blade) that reduces the risk of electric shock. The plug fits only one way into a polarized outlet. Do not defeat the safety purpose of the plug by modifying the plug in any way or using an adaptor. If the plug does not fit, reverse the plug. If it still does not fit, have an electrician replace the outlet.

The length of the cord used on this appliance was selected to reduce the hazards of becoming tangled in, or tripping over, a longer cord. If a longer cord is necessary, an approved extension cord may be used. The electrical rating of the extension cord must be equal to or greater than the rating of the appliance. Care must be taken to arrange the extension cord so that it will not drape over the countertop or tabletop where it can be pulled on by children or accidentally tripped over.

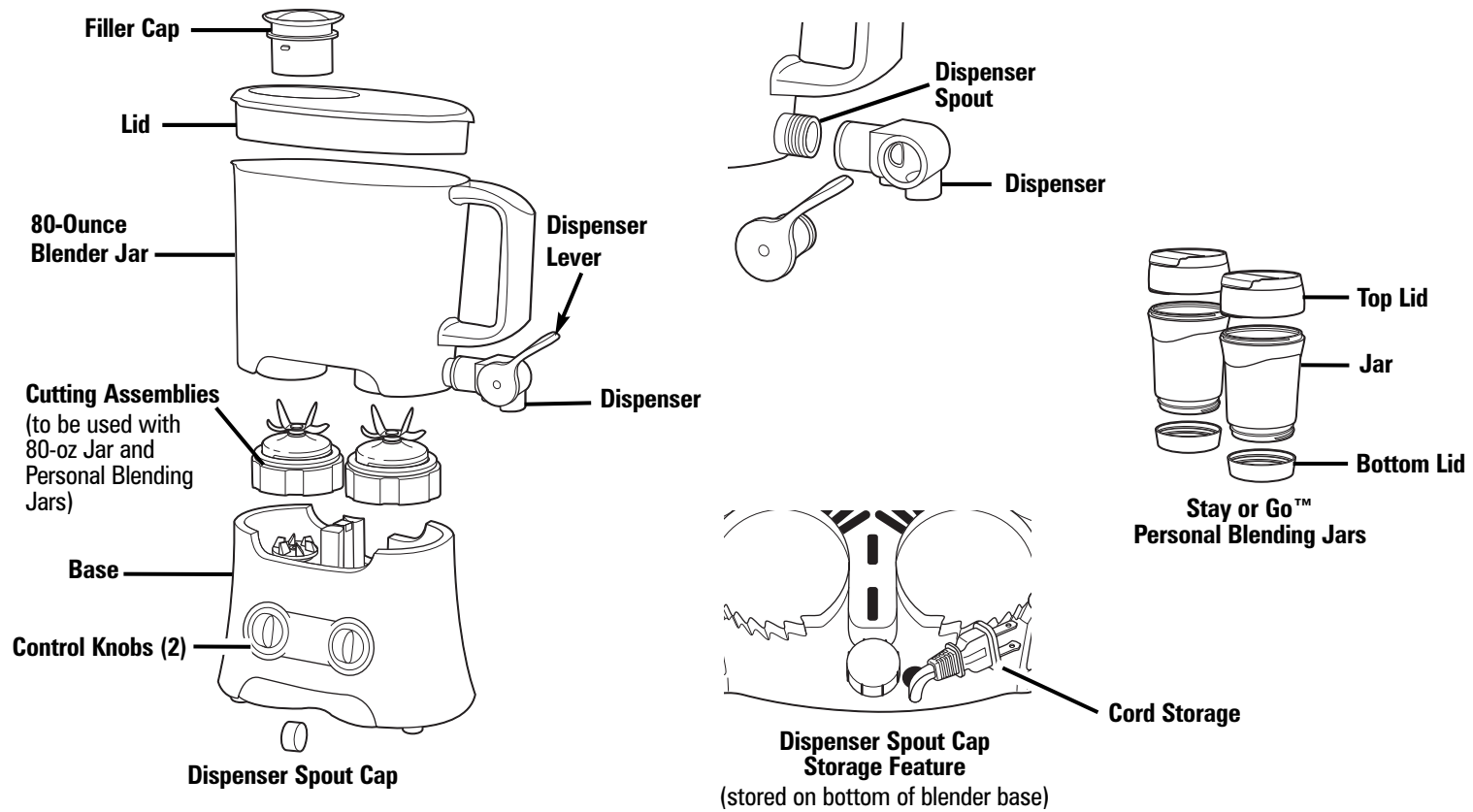
Do not place blender jar in the freezer filled with food or liquid. The contents may freeze and may result in damage to the cutting blades, jar, blender and possibly result in personal injury. If cutting blades lock and do not move, it will damage the motor. Do not use. Call the toll-free customer service number for information.

Wattage/Peak Power Information: The wattage/ampere rating of the blender is determined by an Underwriter's Laboratory test. This rating is based on the 80-ounce blending jar. Use of the accessory personal blending jar may draw significantly less power. This is a measure of input wattage/ amperes after 30 seconds of operation.

Peak power is the measure of the motor wattage during the first seconds of operation. This is when a blender requires the most power to crush ice, frozen fruit, etc. This is a better measure of what a blender motor can consume when power is needed most. The blender as provided may draw significantly less power.

Optional Accessory: Stay or Go™ Personal Blending Jar (AC16) may be used with this appliance. Two blending jars are included with the blender. Additional blending jars may be purchased separately.

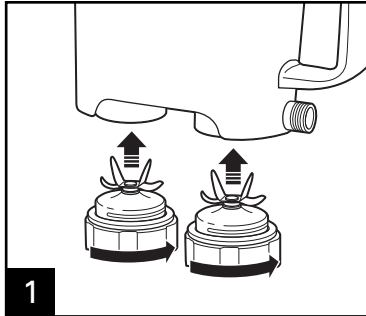
Parts and Features



Using the Blender

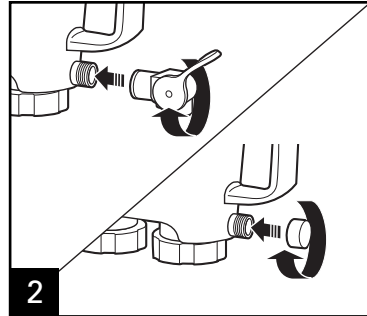
NOTES:

- A minimum of 16 ounces (500 ml) is recommended for 80-ounce jar.
- The international OFF symbol (O) is provided to clearly indicate the OFF position.

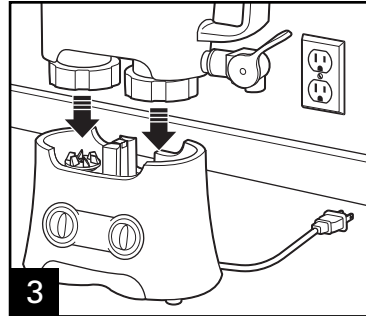


1

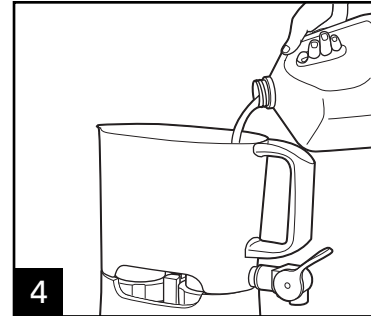
Cutting assemblies must be securely tightened to blender jar before placing on base.



2



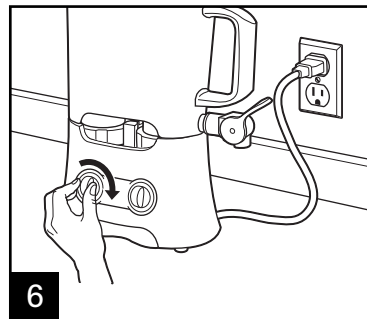
3



4

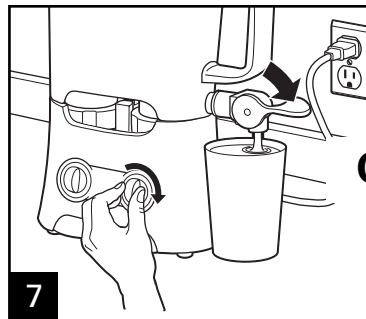


5



6

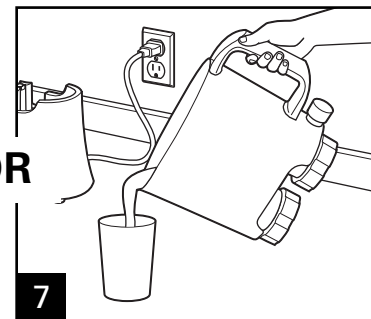
When using 80-ounce jar, only use **ONE** control knob to run **BOTH** blades: 1 (Low), 2 (High), or P (Pulse).



7

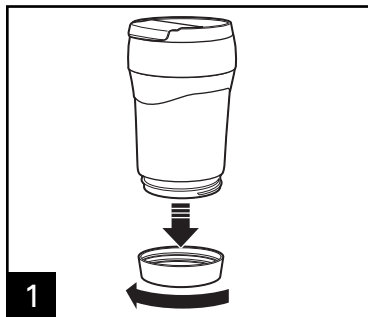
Run blender on 2 (High) while dispensing.

OR

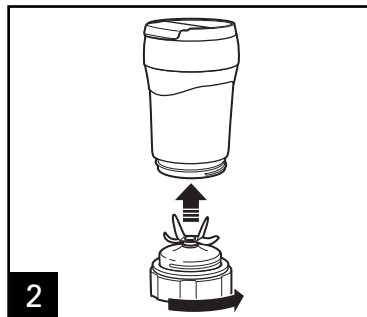


7

Using the Stay or Go™ Personal Blending Jar

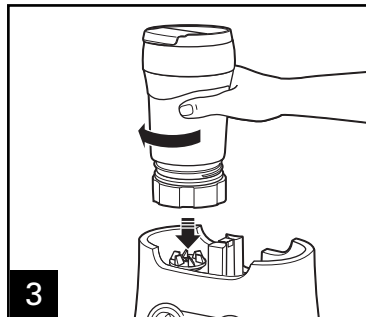


1



2

Cutting assemblies should be removed from 80-ounce jar and used with Personal Blending Jar.

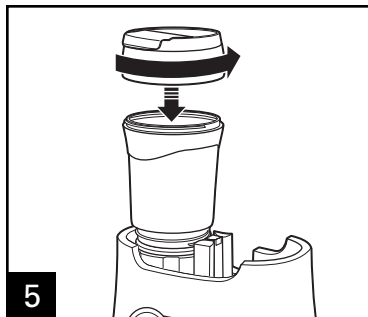


3

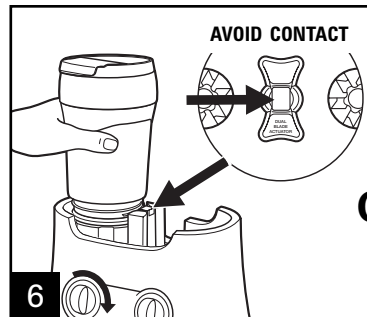
Place cup on base. Turn slightly clockwise to lock in place.



4

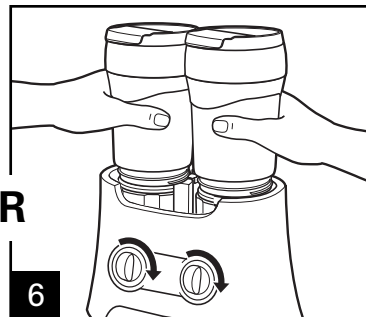


5



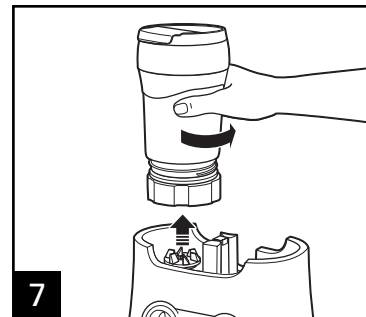
Hold jar in place while blending. When blending with a single personal jar, avoid **DUAL BLADE ACTUATOR**, second motor may turn on.

OR



6

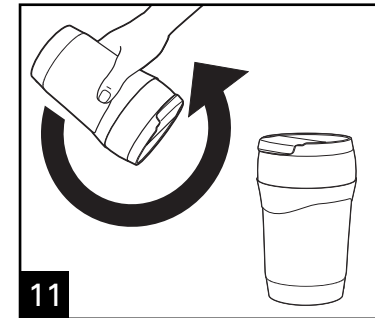
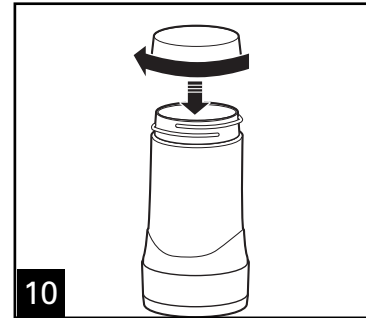
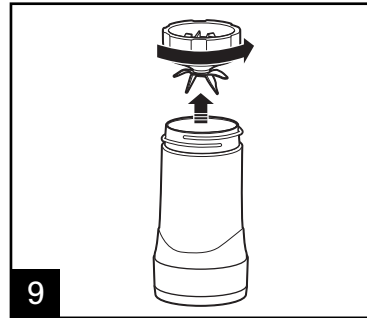
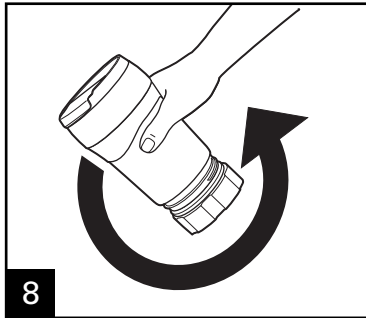
Hold jars in place while blending.



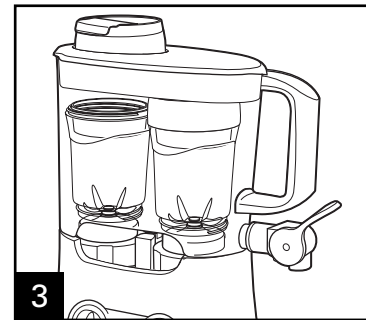
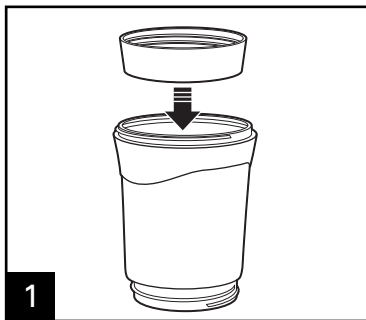
7

Turn slightly counterclockwise to unlock and remove.

Using the Stay or Go™ Personal Blending Jar (cont.)



Personal Blending Jar Storage Feature



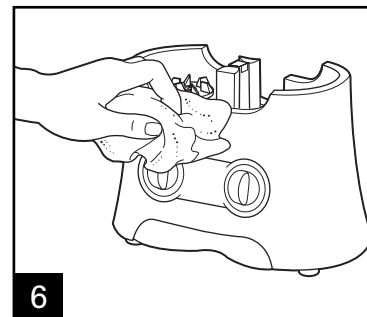
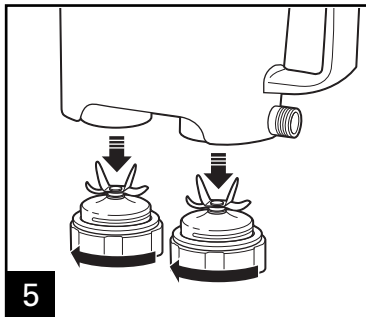
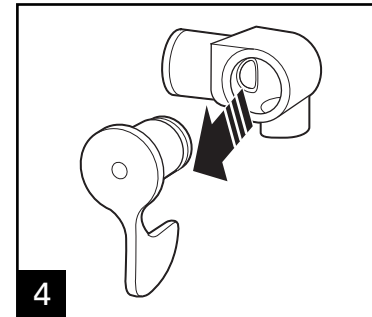
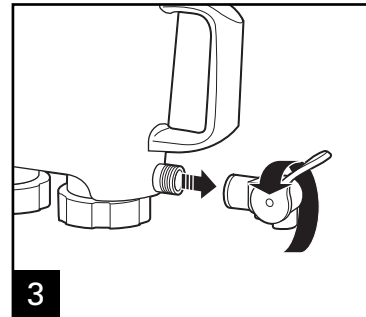
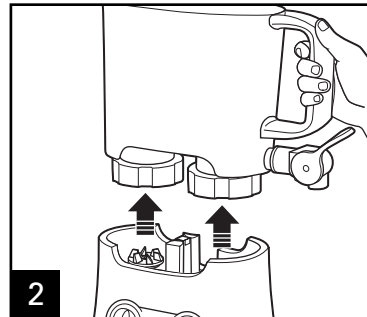
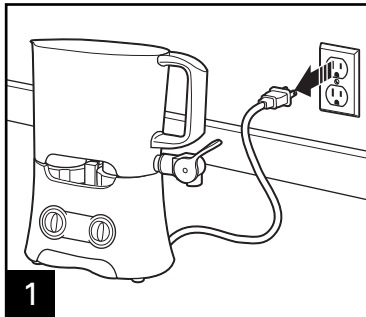
Cleaning the Blender

⚠ WARNING

Electrical Shock Hazard.

Disconnect power before cleaning.

Do not immerse cord, plug or base in any liquid.



Wipe blender base, control panel, and cord with a damp cloth or sponge. To remove stubborn spots, use a mild, non-abrasive cleanser.

Troubleshooting

PROBLEM	PROBABLE CAUSE/SOLUTION
Blender leaks.	<ul style="list-style-type: none"> • Tighten cutting assembly on jar. • Make sure lid with filler cap is pushed down tightly on jar. • Make sure gasket is not damaged, twisted, or missing. If damaged, please call our toll-free customer service number to order a replacement.
Ice not crushed.	<ul style="list-style-type: none"> • See Blending Tips.
Does not blend well.	<ul style="list-style-type: none"> • Make sure enough liquid has been added. If mixture is too thick, continue to add liquid until mixture is blended to desired consistency. A minimum of 16 ounces (500 ml) is recommended for 80-ounce jar. • Do not try to mash potatoes, mix stiff dough, whip egg whites, grind raw meat, or extract juices from fruits and vegetables. The blender is not made to perform these tasks.
Does not dispense or dispenses slowly.	<ul style="list-style-type: none"> • Make sure blender is ON and dispenser lever is in the DOWN position. • If solid food or ultra-thick beverage will not dispense, pour from jar.
Dispenser leaks.	<ul style="list-style-type: none"> • Make sure seal rings are in place on dispenser lever and spout. • Make sure dispenser lever is in the UP position.
Cannot remove cutting assembly.	<ul style="list-style-type: none"> • Loosen cutting assembly by holding jar and turning cutting assembly counterclockwise.
Blender jar won't fit on base.	<ul style="list-style-type: none"> • Make sure cutting assemblies are securely tightened to blender jar. If difficult to tighten, dampen cutting assemblies first, then securely tighten to blender jar.
Personal Blending Jar leaks.	<ul style="list-style-type: none"> • Tighten top lid and cutting assembly securely before placing on blender base.

Blending Tips

Crushing Ice

For best performance, when a recipe calls for liquid, place the liquid in blender jar followed by the ice cubes. Ensure ice cubes are separated. When only crushed ice is desired, add 2 cups (500 ml) of ice cubes to jar. Place lid on blender jar then Pulse. Allow blades to come to a complete stop between pulses. Continue until ice is crushed to desired consistency. For best results always crush ice immediately after removing from freezer.

Optional Accessories

Stay or Go™ Personal Blending Jar (AC16) may be used with this appliance. Two blending jars are included with the blender. Additional blending jars may be purchased separately.

To Order Call:

1.800.851.8900 (U.S.)

1.800.267.2826 (Canada)

01.800.71.16.100 (Mexico)

or visit hamiltonbeach.com

Warranty

LIMITED WARRANTY

This warranty applies to products purchased in the U.S. or Canada.

This product is warranted to be free from defects in material and workmanship for a period of three (3) years from the date of original purchase, except as noted below. During this period, we will repair or replace this product at our option. THE FOREGOING WARRANTY IS IN LIEU OF ANY OTHER WARRANTY OR CONDITION, WHETHER EXPRESS OR IMPLIED, WRITTEN OR ORAL INCLUDING, WITHOUT LIMITATION, ANY STATUTORY WARRANTY OR CONDITION OF MERCHANTABILITY OR FITNESS FOR A PARTICULAR PURPOSE. ANY LIABILITY IS EXPRESSLY LIMITED TO AN AMOUNT EQUAL TO THE PURCHASE PRICE PAID, AND ALL CLAIMS FOR SPECIAL, INCIDENTAL AND CONSEQUENTIAL DAMAGES ARE HEREBY EXCLUDED. There is no warranty with respect to the following, which may be supplied with this product, including without limitation: glass parts, glass containers, cutter/strainers, blades, seals, gaskets, clutches, motor brushes, and/or agitators, etc. This warranty extends only to the original consumer purchaser and does not cover a defect resulting from abuse, misuse, neglect including failure to clean product regularly in accordance with manufacturer's instructions, use for commercial purposes, or any use not in conformity with the printed directions. This warranty gives you specific legal rights, and you may also have other legal rights which vary from state to state, or province to province. Some states or provinces do not allow limitations on implied warranties or special, incidental or consequential damages, so the foregoing limitations may not apply to you.

If you have a claim under this warranty, **DO NOT RETURN THE APPLIANCE TO THE STORE!** Please call our **CUSTOMER SERVICE NUMBER**. (For faster service please have model, series, and type numbers ready for operator to assist you.)

CUSTOMER SERVICE NUMBERS

In the U.S. 1.800.851.8900

In Canada 1.800.267.2826

In Mexico 01.800.71.16.100

hamiltonbeach.com

KEEP THESE NUMBERS FOR FUTURE REFERENCE!