



U.S.A. Website: <http://us.lgservice.com>  
Canadian Website: <http://lg.ca>

# ELECTRIC & GAS DRYER SERVICE MANUAL

## CAUTION

READ THIS MANUAL CAREFULLY IN ORDER TO  
PROPERLY DIAGNOSE PROBLEMS AND TO SAFELY  
PROVIDE QUALITY SERVICE ON THESE DRYERS.

MODEL : DLE2701V/DLG2702V



JAN. 2006 PRINTED IN KOREA

P/No.:3828EL3005D

## IMPORTANT SAFETY NOTICE

The information in this service guide is intended for use by individuals possessing skill and experience in electrical, electronic, and mechanical appliance repair. Any attempt to repair a major appliance may result in personal injury and property damage. The manufacturer or seller cannot be responsible for the interpretation of this information, nor can it assume any liability in connection with its use.

### **WARNING !**

*To avoid personal injury, disconnect power before servicing this product. If electrical power is required for diagnosis or test purposes, disconnect the power immediately after performing the necessary checks.*

## RECONNECT ALL GROUNDING DEVICES

If grounding wires, screws, straps, clips, nuts, or washers used to complete a path to ground are removed for service, they must be returned to their original position and properly fastened.

## WHAT TO DO IF YOU SMELL GAS:

- *Do not try to light a match, or cigarette, or turn on any gas or electrical appliance.*
- *Do not touch any electrical switches. Do not use any phone in your building.*
- *Clear the room, building or area of all occupants.*
- *Immediately call your gas supplier from a neighbor's phone. Follow the gas supplier's instructions carefully.*
- *If you cannot reach your gas supplier, call the fire department.*

## IMPORTANT

Electrostatic Discharge (ESD)  
Sensitive Electronics

**ESD problems are present everywhere. ESD may damage or weaken the electronic control assembly. The new control assembly may appear to work well after repair is finished, but failure may occur at a later date due to ESD stress.**

- Use an anti-static wrist strap. Connect wrist strap to green ground connection point or unpainted metal in the appliance.

- OR -

**Touch your finger repeatedly to a green ground connection point or unpainted metal in the appliance.**

- Before removing the part from its package, touch the anti-static bag to a green ground connection point or unpainted metal in the appliance.
- Avoid touching electronic parts or terminal contacts; handle electronic control assembly by edges only.
- When repackaging failed electronic control assembly in anti-static bag, observe above instructions.

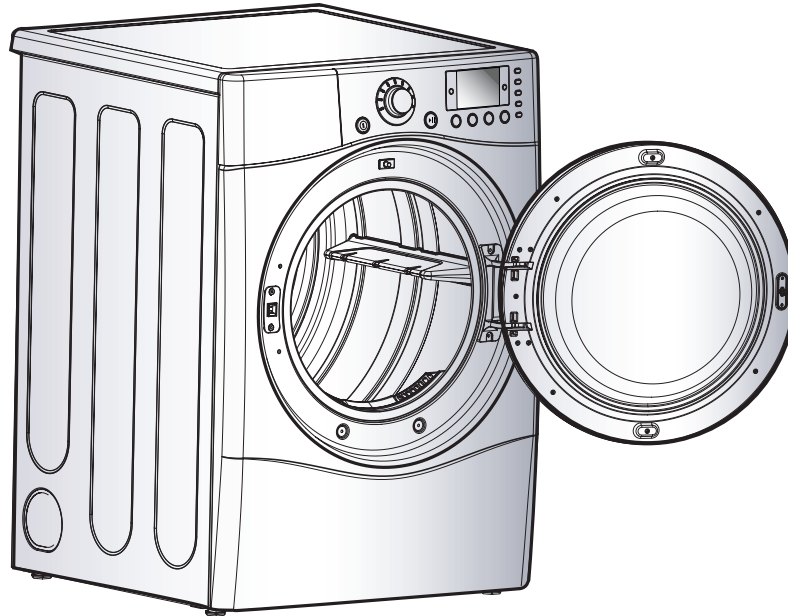
---

# CONTENTS

1. SPECIFICATIONS .....	4
2. FEATURES AND BENEFITS .....	6
3. INSTALLATION INSTRUCTIONS .....	6
4. DRYER CYCLE PROCESS .....	13
5. COMPONENT TESTING INFORMATION .....	14
6. MOTOR DIAGRAM AND SCHEMATIC.....	17
7. CONTROL LAYOUT .....	18
8. WIRING DIAGRAM .....	19
9. DIAGNOSTIC TEST .....	20
9-1. TEST 1 120V AC ELECTRICAL SUPPLY .....	21
9-2. TEST 2 THERMISTOR TEST .....	22
9-3. TEST 3 MOTOR TEST .....	24
9-4. TEST 4 MOISTURE SENSOR .....	25
9-5. TEST 5 DOOR SWITCH TEST .....	26
9-6. TEST 6 HEATER SWITCH TEST - ELECTRIC MODEL.....	27
9-7. TEST 7 GAS VALVE TEST - GAS MODEL.....	28
9-8 TEST 8 SEMI-CONDUCTOR.....	29
10. CHANGE GAS SETTING (NATURAL GAS, PROPANE GAS) .....	30
11. DISASSEMBLY INSTRUCTIONS .....	32
12. EXPLODED VIEW .....	39
12-1. CONTROL PANEL & PLATE ASSEMBLY .....	39
12-2. CABINET & DOOR ASSEMBLY.....	40
12-3-1. DRUM & MOTOR ASSEMBLY: ELECTRIC MODEL.....	41
12-3-2. DRUM & MOTOR ASSEMBLY: GAS MODEL .....	42
13. REPLACEMENT PARTS LIST.....	43

# 1

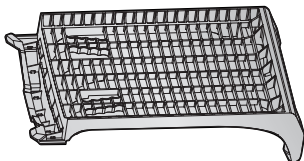
## SPECIFICATIONS



- Name: Electric and Gas Dryer
- Power supply: Please refer to the rating label regarding detailed information.
- Size: 27 X 29.9 X 38.7 (inch)
- Dryer capacity: IEC 7.3 cu.ft.
- Weight: 126(lbs)

Specifications are subject to change by manufacturer.

### ■ ACCESSORIES



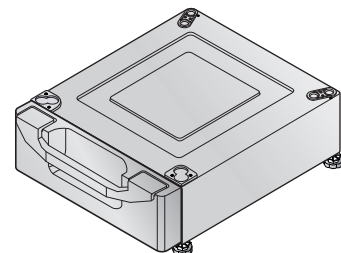
Dryer rack (1 each)

*See page 6*



Stacking kit (1 each)  
Purchased Separately

*See page 7*



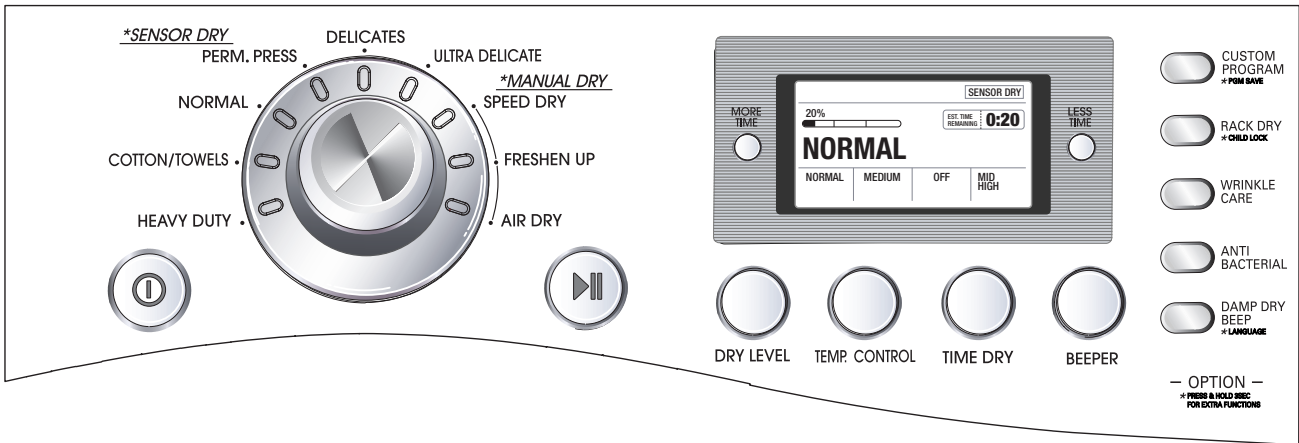
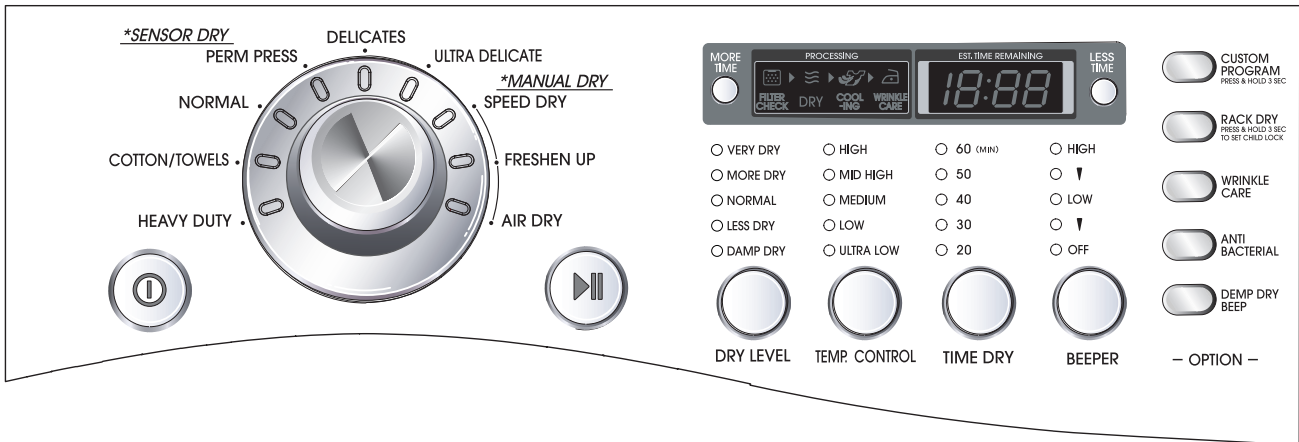
Pedestal (1 each)  
Purchased Separately

*See page 8*

ITEM		DLE2701V / DLG2702V	REMARK
Material & Finish	Color	STAINLESS SILVER	
	Top Plate	Porcelain	
	Door Trim	Chromate	
POWER SUPPLY		120V/240V 60Hz (26A)	
ELECTRICITY CONSUMPTION	MOTOR	250W (4.5A)	AC 120V
	HEATER	5400W (22.5A)	AC 240V (ELECTRIC MODEL)
	LAMP	15 W (125mA)	AC 120V
	GAS VALVE	13 W (110mA) x 2	AC 120V (GAS MODEL)
CONTROL TYPE		Electronic	
DRUM CAPACITY		7.3 cu.ft.	
Weight (lbs) - Net/Gross		124/144	
No. of Programs		9	
No. of Dry Options		3	
No. of Temperature Controls		5	
No. of Dry Levels		5	
Sound levels		High/Low/Off	
Sensor	Moisture	Available	Electrode sensor
	Temperature	Available	Thermistor
Reversible Door		Available	
Drum		Stainless Steel	
Dryer Rack		Available	
Child Lock		Available	
Interior Light		Available	
Product (WxHxD)		27" x 42 3/4" x 28 1/3"	
Packing (WxHxD)		29 1/2" x 44 3/4" x 30 3/4"	

# 2

## FEATURES AND BENEFITS



# 3

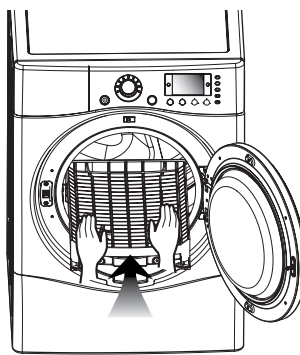
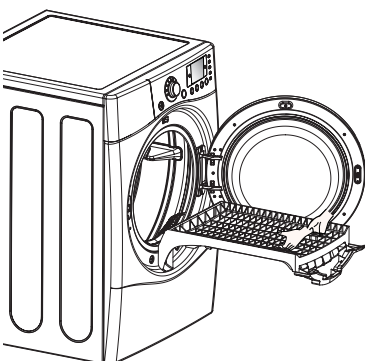
## INSTALLATION INSTRUCTIONS

### Dryer Rack Installation Instructions

**1** Open the door. Hold the dryer rack with both hands.

**2** Put the dryer rack into the drum

**3** Check and be sure that the front of the rack is properly seated behind the lint filter.



## Stacking Kit Installation Instructions

To ensure safe and secure installation, please observe the instructions below.

### WARNING

#### Do not attempt this alone!

At least two people are required to lift and position the dryer on top of a washing machine!

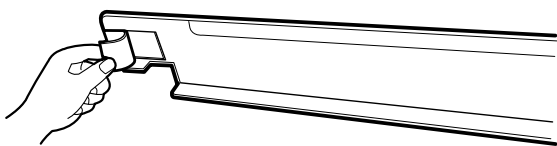
Failure to heed this warning can result in serious physical injury and damage to the appliance.



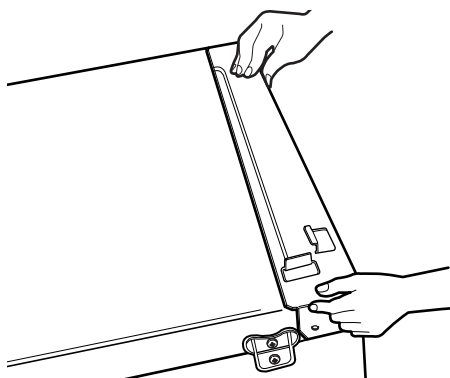
Stacking kit

**1** Place the washer firmly on a stable, even and solid floor as product installation instructions describe in the owner's manual.

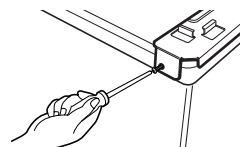
**2** Peel the protective paper from the tape on the side bracket.



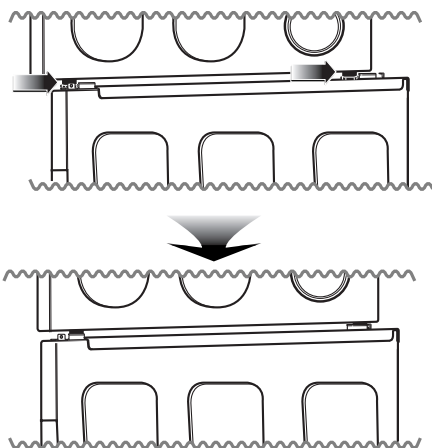
**3** Fit the side bracket firmly to the side of the top plate by attaching the double-faced tape to the top plate as picture shown.



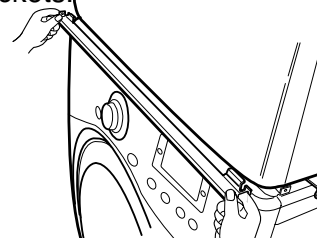
**4** Secure the side bracket to the washer with a screw on the back of the bracket. Repeat Steps 2, 3, & 4 for the other side.



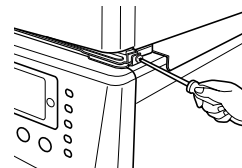
**5** Place the dryer on top of the washer by placing the legs as shown. Be careful not to pinch fingers between the washer and dryer. Slide the dryer back against the stop on the side rail.



**6** Insert the front rail of the stacking kit. Push the front rail back against the stops on the side brackets.



**7** Screw both sides of the front rail to the side brackets.

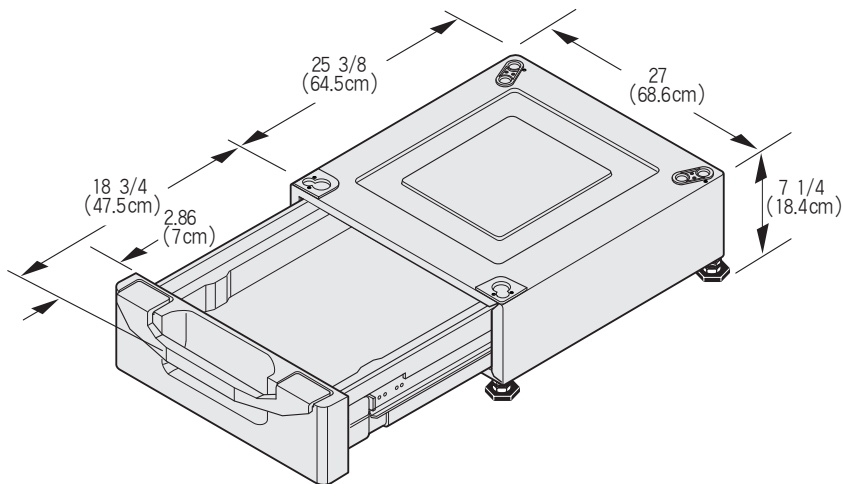


- Do not use a stacking kit with a gas dryer in potentially unstable conditions like a mobile home.



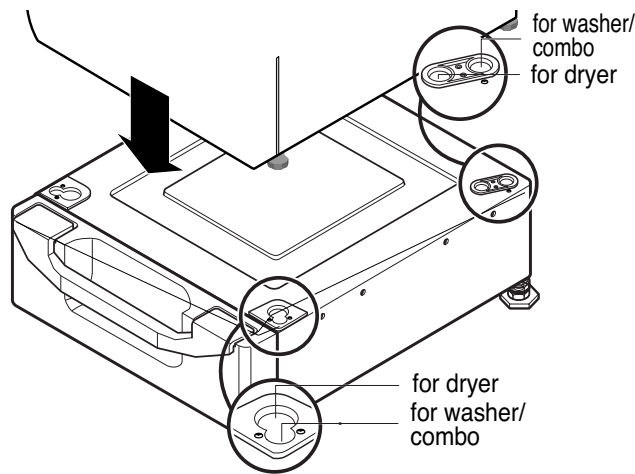
## Pedestal Installation Instructions

※ For washer, dryer, and combo LG 27”



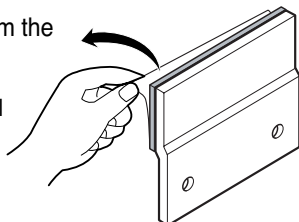
**1** Remove pedestal, installation hardware, and instructions from the shipping carton.

**2** Position the dryer on top of the pedestal.

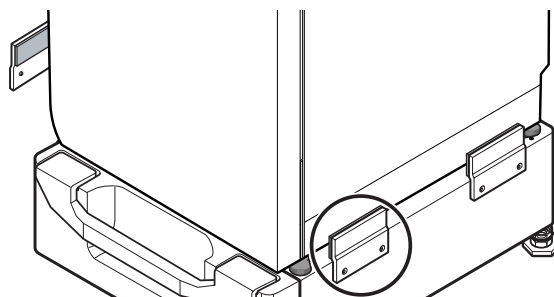


**3** Remove the paper from the bracket.

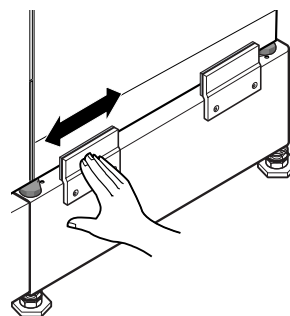
**NOTE:** That the Pedestal hardware packet may include 2 sets of side brackets. Be sure to use the brackets marked for the dryer.



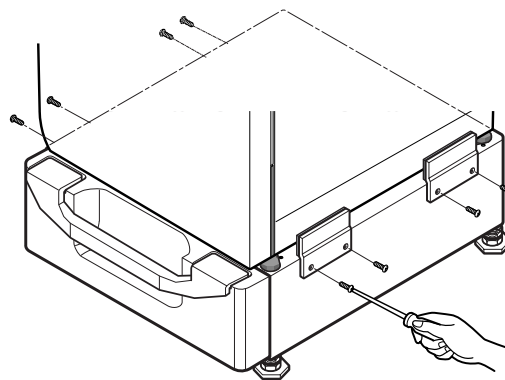
**4** After removing the protective covering from the adhesive surface, align the screw holes in the brackets with the matching holes in the pedestal base and press and press the brackets against the base and the dryer.



**5** Be sure to press the adhesive parts of the brackets firmly to the appliance.



**6** Install the eight (8) screws (supplied) to attach the brackets to the pedestal.

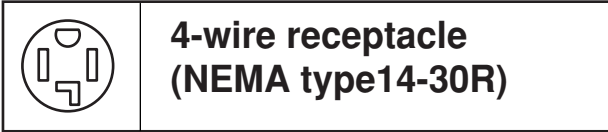


**7** Move the dryer to the desired place.

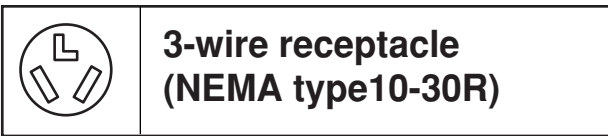
**NOTE :** The appliance and pedestal assembly must be placed on a solid and level floor for proper operation. Adjust the legs of the appliance and pedestal by turning with a wrench. Then, adjust the lock unit toward the pedestal while holding the pedestal leg using a wrench.

## Electric Dryer Only

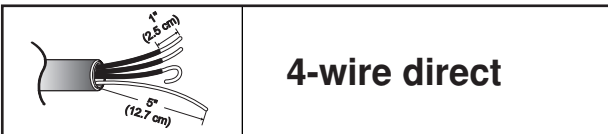
Review the following options to determine the appropriate electrical connection for your home:



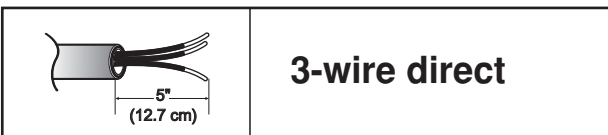
Use the instructions under option 1 if your home has a 4-wire receptacle (NEMA type 14-30R).



Use the instructions under option 2 or 3 if your home has a 3-wire receptacle (NEMA type 10-30R). Use option 2 if local codes and ordinances permit the connection of a chassis ground to the neutral connector. If this is not permitted, use option 3.



If this type is available at your home, you will be connecting to a fused disconnect or circuit breaker box



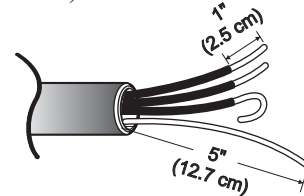
If this type is available at your home, you will be connecting to a fused disconnect or circuit breaker box

### 4-wire connection : Direct wire

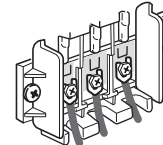
**Important :** Grounding through the neutral conductor is prohibited for (1) new branch-circuit installations, (2) mobile homes, and (3) recreational vehicles, and (4) areas where local codes prohibit grounding through the neutral conductor.

Prepare minimum 5ft(1.52m) of length in order for dryer to be replaced.

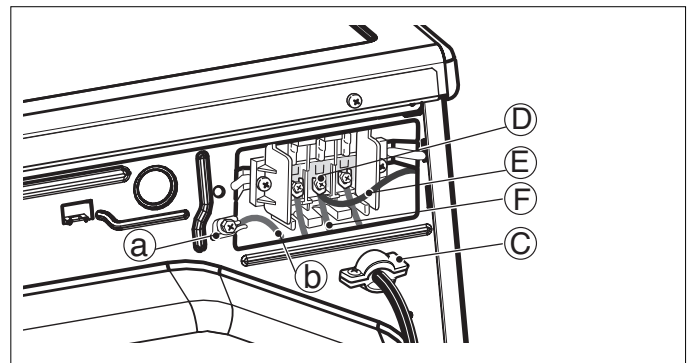
First, peel 5 inch (12.7cm) of covering material from end. Make a 5 inch of ground wire bared. After cutting 1½ inch (3.8cm) from 3 other wires, peel insulation back 1inch (2.5cm). Make ends of 3 wires a hook shape.



Then, put the hooked shape end of the wire under the screw of the terminal block (hooked end facing rightward) and pinch the hook together and screw tightly.



1. Connect neutral wire (white) of power cord to center terminal block screw.
2. Connect red and black wire to the left and right terminal block screws.
3. Connect ground wire (green) of power cord to external ground screw and move neutral ground wire of appliance and connect it to center screw.
4. Make sure that the strain relief screw is tightened, and be sure that all terminal block nuts are on tight and power cord is in right position.

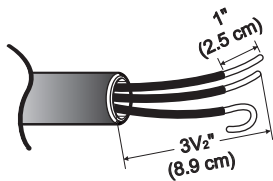


### 3-wire connection : Direct wire

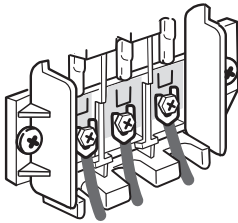
**Important :** Grounding through the neutral conductor is prohibited for (1) new branch-circuit installations, (2) mobile homes, and (3) recreational vehicles, and (4) areas where local codes prohibit grounding through the neutral conductor.

Prepare minimum 5ft(1.52m) of length in order for dryer to be replaced.

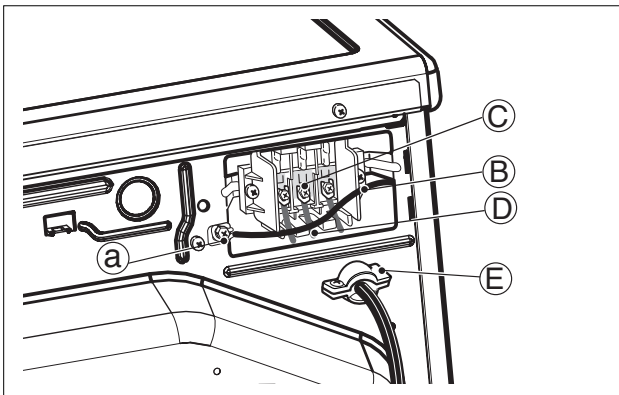
First, peel 3 1/2 inch (8.9cm) of covering material from end and bare 1 inch from the ends.



Then, put the hooked shape end of the wire under the screw of the terminal block (hooked end facing rightward) and pinch the hook together and screw tightly.

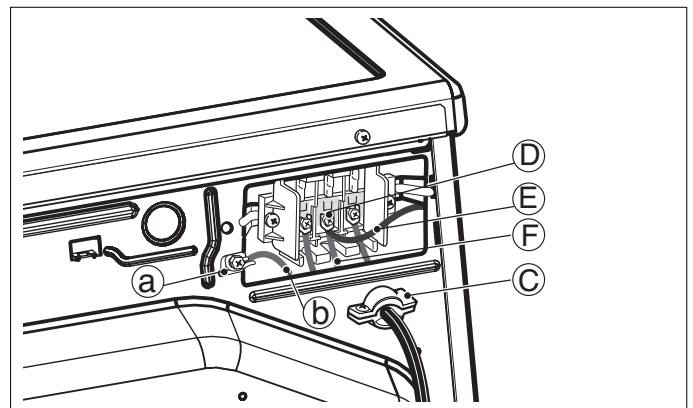
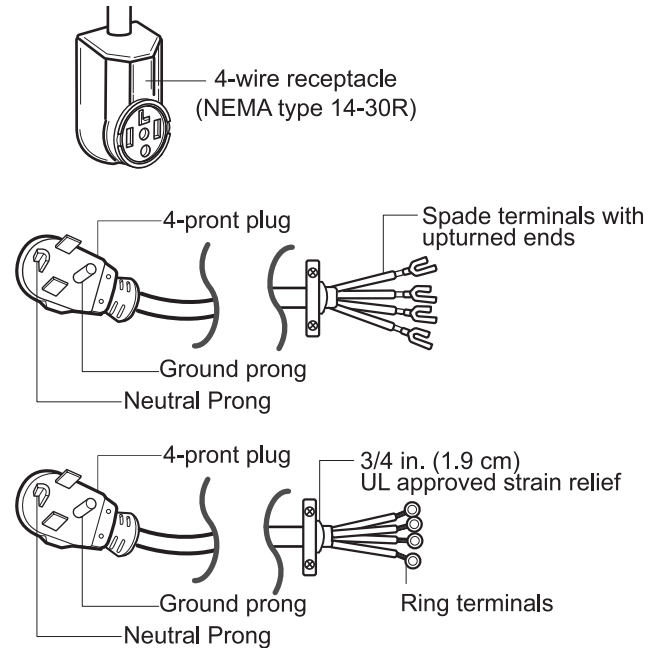


1. Connect neutral wire (white) of power cord to center terminal block screw.
2. Connect red and black wire to the left and right terminal block screws.
3. Make sure that the strain relief screw is tightened and be sure that all terminal block nuts are on tight and power cord is in right position.



### Option 1: 4-wire connection with a Power supply cord.

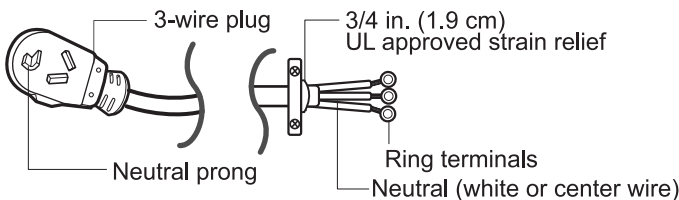
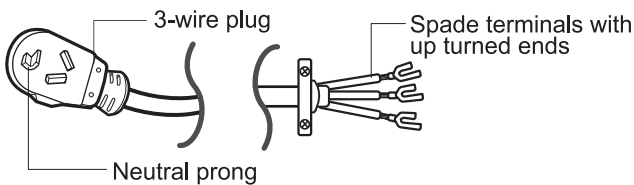
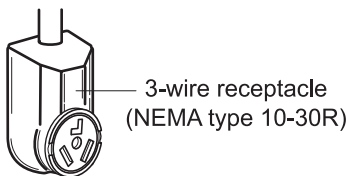
- If your local codes or ordinances do not allow the use of a 3 wire connection, or you are installing your dryer in a mobile home, you must use a 4-wire connection.



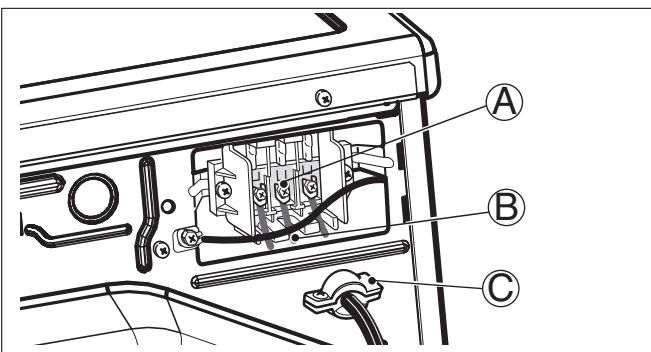
1. Connect the neutral wire (white) of the power cord to the center terminal block screw.
2. Connect the red and black wires to the left and right terminal block screws.
3. Connect the ground wire (green) of the power cord to the external ground screw. Remove the neutral ground wire of appliance and connect it to center screw.
4. Make sure that the strain relief screw is tightened and that all terminal block nuts are tight and the power cord is in the right position.

## Option 2: 3-Wire Connection with a Power Supply Cord

If your local codes or ordinances permit the connection of a frame-grounding conductor to the neutral wire, use these instructions. If your local codes or ordinances do not allow the connection of a frame-grounding conductor to the neutral wire, use the instructions under **Section 3: Optional 3-wire connection.**

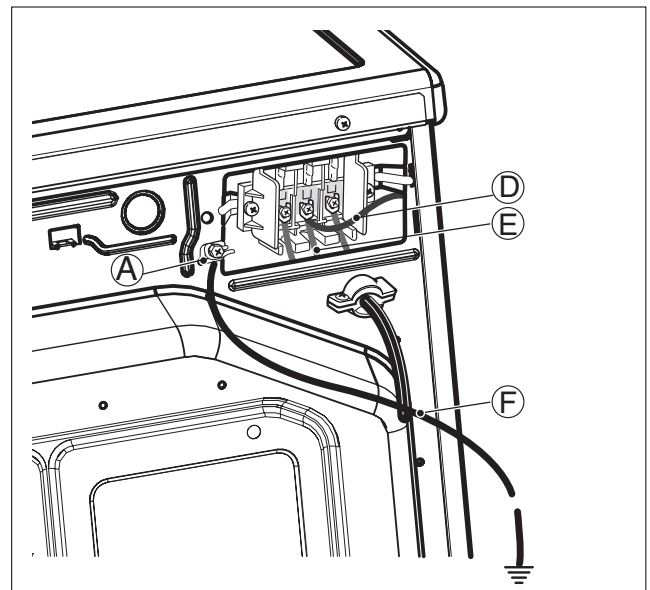
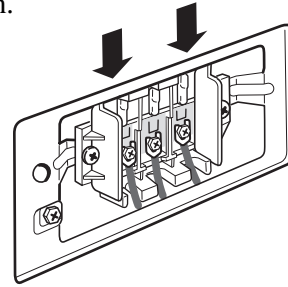


1. Connect the neutral (white or center) wire (B) to the center, silver colored, screw (A) and tighten securely.
2. Connect the other two power cord wires (red and black) to the left and right terminal block screws and tighten securely.
3. Tighten the strain relief screws (C) securely.



## Option 3: Optional 3-wire connection.

- If your local codes or ordinances do not allow the connection of a frame-grounding conductor to the neutral wire, use the instructions under this section.

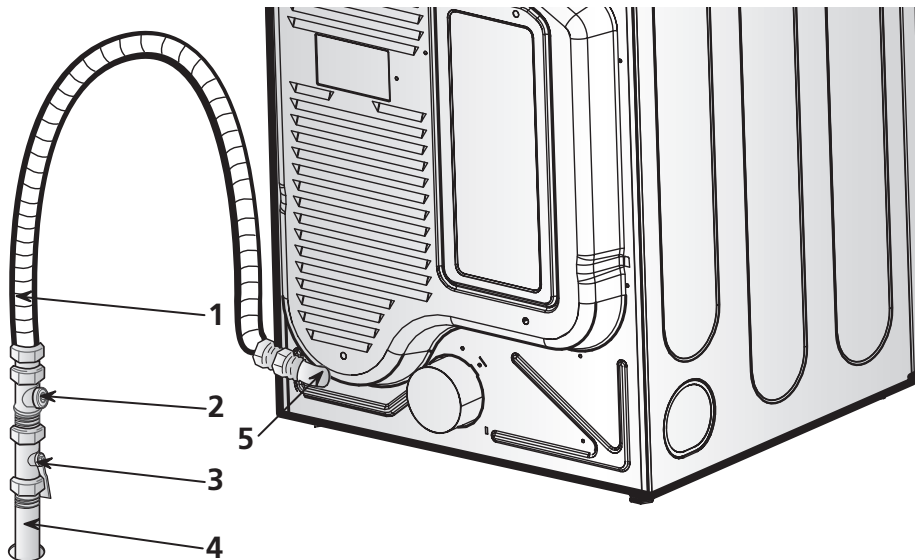


1. Remove the appliance ground wire (D) (green) from the external ground connector screw and reconnect it, together with the center, white, neutral wire (E) to the center, silver colored, terminal block screw.
2. Connect the other two power cord wires (red and black) to the left and right terminal block screws and tighten securely.
3. Tighten the strain relief screws securely.
4. Connect an independent ground wire (F) from the external ground connector screw to a proper ground. (The ground wire must be long enough to allow the appliance to be moved, if necessary, for service or cleaning.)

## 3-2. Connect Gas Supply Pipe (Gas Dryer ONLY)

For further assistance, refer to section on *Gas Requirements*.

1. Make certain your dryer is equipped for use with the type of gas in your laundry room. Dryer is equipped at the factory for Natural Gas with a 3/8" N.P.T. gas connection.
2. Remove the shipping cap from the gas connection at the rear of the dryer. Make sure you do not damage the pipe thread when removing the cap.
3. Connect to gas supply pipe using a new flexible stainless steel connector.
4. Tighten all connections securely. Turn on gas and check all pipe connections (internal & external) for gas leaks with a non-corrosive leak detection fluid.
5. For L.P. (Liquefied Petroleum) gas connection, refer to section on Gas Requirements.





- 1 New Stainless Steel Flexible Connector - Use only if allowed by local codes (Use Design A.G.A. Certified Connector)
- 2 1/8" N.P.T. Pipe Plug (for checking inlet gas pressure)
- 3 Equipment Shut-Off Valve-Installed within 6' (1.8 m) of dryer

- 4 Black Iron Pipe  
Shorter than 20' (6.1 m) - Use 3/8" pipe  
Longer than 20' (6.1 m) - Use 1/2" pipe
- 5 3/8" N.P.T. Gas Connection

# 4

## DRYER CYCLE PROCESS

Cycle		Default			Conditions of operation and termination				
		Temp- erature	Dry Level	Display time	Drying		Cooling		Wrinkle care
					Electro- sensor	Temp- Control	Default time	Temp- Control**	Time
Sensor Dry*	HEAVY DUTY	HIGH	(Normal)	54min	Saturation	68±4°C	(5min)	47±5°C	3Hr
	COTTON/ TOWELS	MID HIGH	(Normal)	55min	Saturation	66±4°C	(5min)	47±5°C	
	NORMAL	MEDIUM	(Normal)	41min	Saturation	60±4°C	(5min)	47±5°C	
	PERM PRESS	LOW	(Normal)	36min	Saturation	52±3°C	(5min)	47±5°C	
	DELICATES	LOW	(Normal)	32min	Saturation	52±3°C	(5min)	38±5°C	
	ULTRA DELICATE	ULTRA LOW	(Normal)	34min	Saturation	45±3°C	(5min)	38±5°C	
Manual Dry**	SPEED DRY	(HIGH)	-	25min	Saturation	(70±5°C)	(5min)	(47±5°C)	3Hr
	FRESHEN UP	(MID HIGH)	-	20min	Saturation	(66±5°C)	(5min)	(47±5°C)	
	AIR DRY	-	-	30min	Saturation	No heater	N/A	N/A	
Load					Motor				Off Time: 6min
					Heater				On Time: 10sec
					Temperature Control for each cycle				

\* Sensor dry : “Dry Level” is set by users.

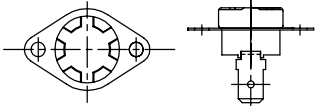
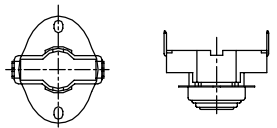
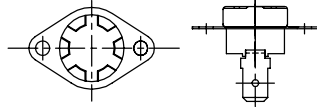
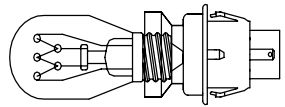
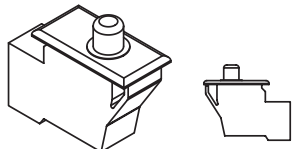
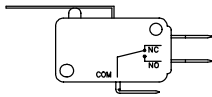
\*\* Manual dry : “Temperature control” is set by users.

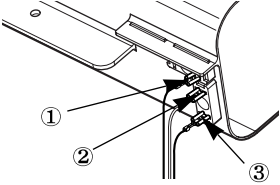
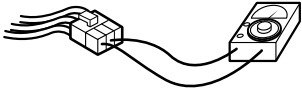
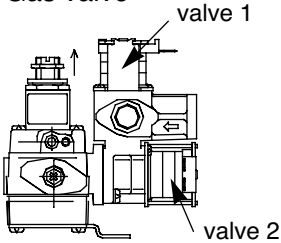
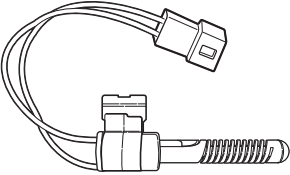
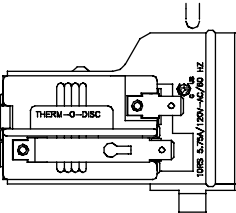
Default settings can be adjusted by users.

# 5

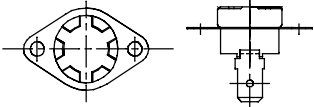
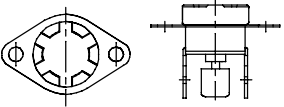
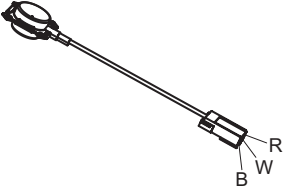
# COMPONENT TESTING INFORMATION

**⚠ CAUTION** When checking the Component, be sure to turn the power off, and do voltage discharge sufficiently.

Component	Test Procedure	Check result	Remark
1. Thermal cut off  • Check Top Marking: N130	Measure resistance of terminal to terminal ① Open at 266 ± 12°F (130 ± 7°C) ② Auto reset 31°F (35°C) Same shape as Outlet Thermostat.	If thermal fuse is open must be replaced ① Resistance value ≒ ∞ ② Continuity (250°F ↓) < 1Ω	• Heater case-Safety • Electric type
2. Hi limit Thermostat (Auto reset) 	Measure resistance of terminal to terminal ① Open at 257 ± 9°F (125 ± 5°C) ② Close at 221 ± 9°F (105 ± 5°C)	① Resistance value ≒ ∞ ② Resistance value < 5Ω	• Heater case - Hi limit • Electric type
3. Outlet Thermostat (Auto reset)  • Check Top Marking: N85	Measure resistance of terminal to terminal ① Open at 185 ± 9°F (85 ± 5°C) ② Close at 149 ± 9°F (65 ± 5°C) Same shape as Thermal cut off.	① Resistance value ≒ ∞ ② Resistance value < 5Ω	• Blow housing - Safety • Electric type
4. Lamp holder 	Measure resistance of terminal to terminal	Resistance value: 80Ω ~ 100Ω	
5. Door switch 	Measure resistance of the following terminal 1) Door switch knob: open ① Terminal: "COM" - "NC" (1-3) ② Terminal: "COM" - "NO" (1-2) 2) Door switch push: push ① Terminal: "COM" - "NC" (1-3) ② Terminal: "COM" - "NO" (1-2)	① Resistance value < 1Ω ② Resistance value ≒ ∞ ① Resistance value ≒ ∞ ② Resistance value < 1Ω	The state that Knob is pressed is opposite to Open condition.
6. Idler switch 	Measure resistance of the following terminal: "COM - NC"	1. lever open ① Resistance value < 1Ω 2. Lever push (close) ② Resistance value ≒ ∞	

Component	Test Procedure	Check result	Remark
7. Heater 	Measure resistance of the following terminal ① Terminal: 1 (COM) - 2 ② Terminal: 1 (COM) - 3 ③ Terminal: 2 - 3	① Resistance value: 10Ω ② Resistance value: 10Ω ③ Resistance value: 20Ω	• Electric type
8. Thermistor 	Measure resistance of terminal to terminal Temperature condition: 58°F ~ (10~40°C) 58°F ~ 104F (10~40°C)	Resistance value: 10Ω	• Heater case - Hi limit • Electric type
9. Motor			• See Page 13
10. Gas valve 	Measure resistance of the following terminal ① Valve 1 terminal ② Valve 2 terminal	① Resistance value: > 1.5 kΩ ② Resistance value: > 1.5~2.5 kΩ	• Gas type
11. Igniter 	Measure resistance of terminal to terminal	Resistance value: 100~800Ω	• Gas type
12. Frame Detect 	Measure resistance of terminal to terminal ① Open at 370°F ((Maximum) ② Close at 320°F	① Resistance value ≒ ∞ ② Resistance value < 1Ω	• Gas type



Component	Test Procedure	Check result	Remark
<p>13. Outlet Thermostat (Auto reset)</p>  <p>• Check Top Marking: N95</p>	<p>Measure resistance of terminal to terminal</p> <p>① Open at <math>203 \pm 7^{\circ}\text{F}</math> (<math>95 \pm 5^{\circ}\text{C}</math>)</p> <p>② Close at <math>158 \pm 9^{\circ}\text{F}</math> (<math>70 \pm 5^{\circ}\text{C}</math>)</p>	<p>① Resistance value <math>\approx \infty</math></p> <p>② Continuity <math>&lt; 1\Omega</math></p>	<ul style="list-style-type: none"> <li>• Gas type</li> <li>• Gas funnel</li> </ul>
<p>14. Outlet Thermostat (Manual reset)</p>  <p>• Check Top Marking: N100</p>	<p>Measure resistance of terminal to terminal</p> <p>① Open at <math>212 \pm 12^{\circ}\text{F}</math> (<math>100 \pm 7^{\circ}\text{C}</math>)</p> <p>② Manual reset</p>	<p>If thermal fuse is open must be replaced</p> <p>① Resistance value <math>\approx \infty</math></p> <p>② Continuity <math>&lt; 1\Omega</math></p>	<ul style="list-style-type: none"> <li>• Gas type</li> <li>• Gas funnel</li> </ul>
<p>15. Semi-Conductor</p> 	<p>Measure resistance of terminal to terminal</p> <p>① Red-White : <math>300 \pm 20 \Omega</math></p> <p>② White-Black : <math>300 \pm 20 \Omega</math></p>	<p>① Resistance value <math>\approx \infty</math></p> <p>② Continuity <math>&lt; 1\Omega</math></p>	<ul style="list-style-type: none"> <li>• Elect type</li> <li>• Gas type</li> </ul>

# 6

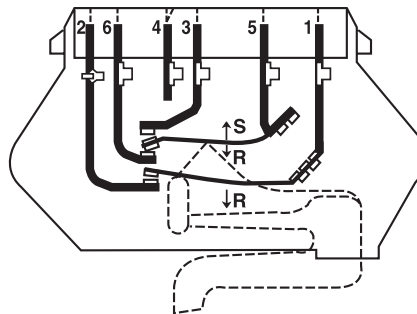
# MOTOR DIAGRAM AND SCHEMATIC

**NOTE** When checking Component, be sure to turn Power off, then do voltage discharge sufficiently.

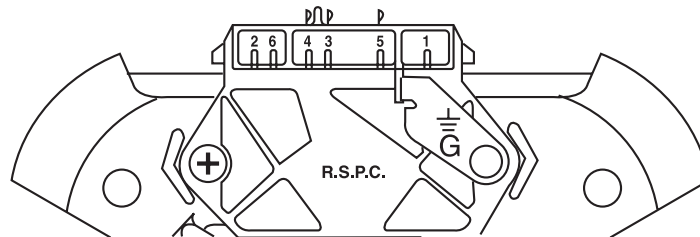
■ Contact On / Off by Centrifugal Switch

Terminal No		①	②	③	④	⑤	⑥	Remark
Mode	Resistance							
Motor STOP	2 ~ 3Ω				●	●		Motor
	≒ ∞	●	●					Heater (Electric Models)
	≒ ∞			●			●	Gas Valve (Gas Models)
Motor RUN	3 ~ 5Ω				●	●		Motor
	< 1Ω	●	●					Heater (Electric Models)
	< 1Ω			●			●	Gas Valve (Gas Models)

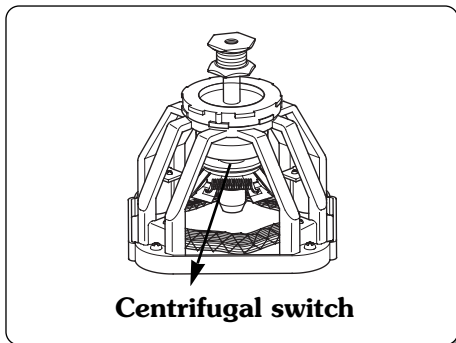
..... Open  
 ——— Close



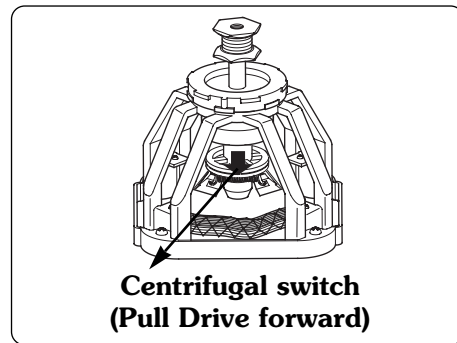
SWITCH SHOWN IN START POSITION



■ STOP MODE  
 (When Motor does not operate)

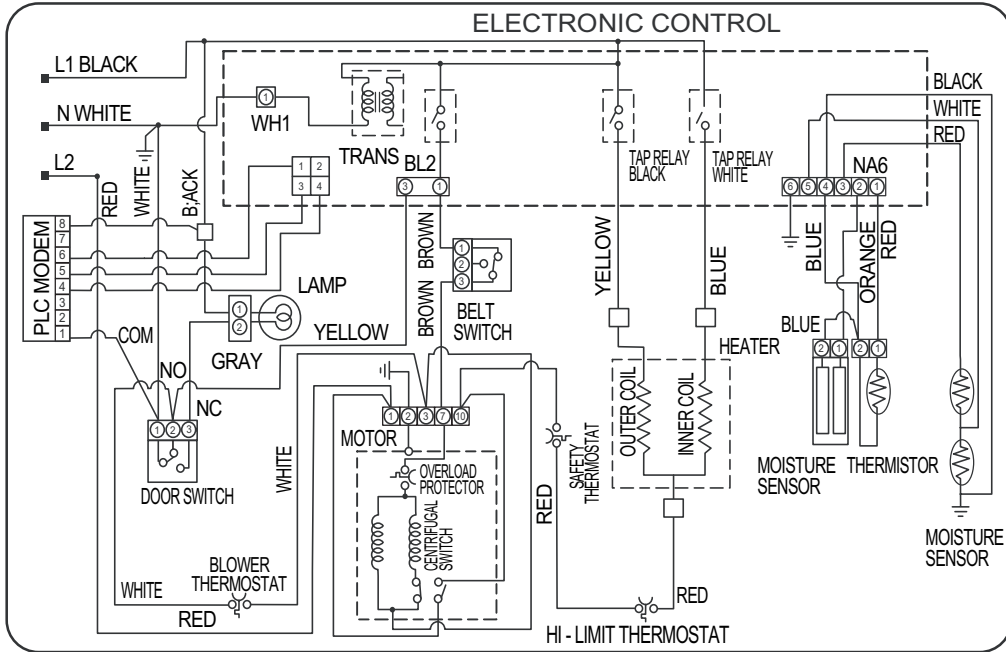


■ RUN MODE  
 (Motor operates)

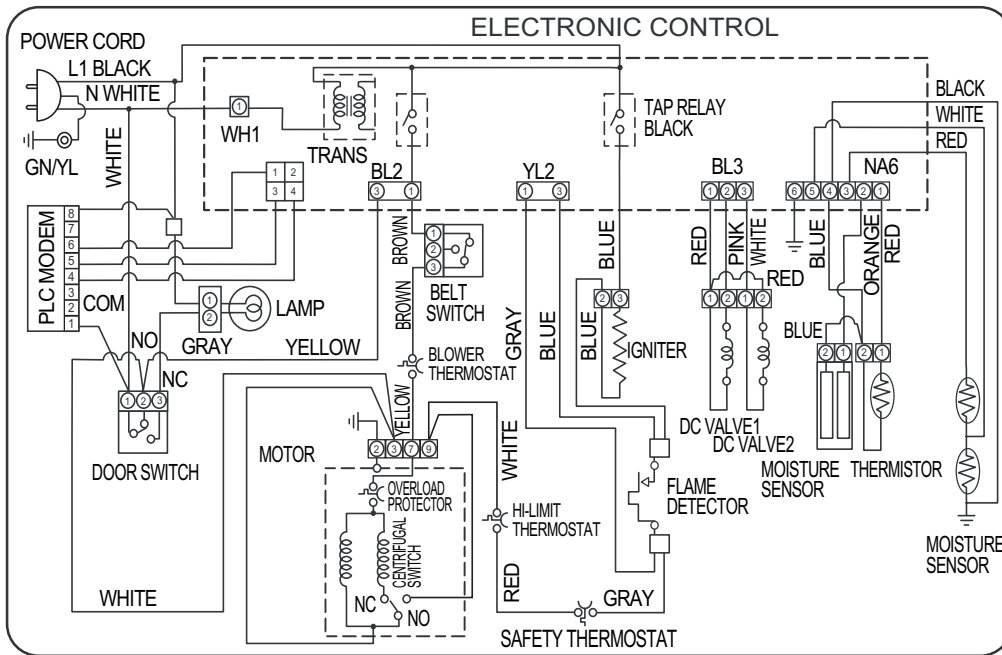




## ELECTRIC DRYER WIRING DIAGRAM



## GAS DRYER WIRING DIAGRAM



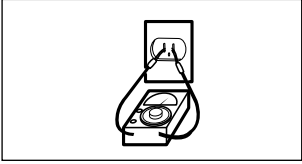
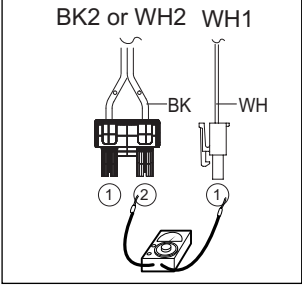
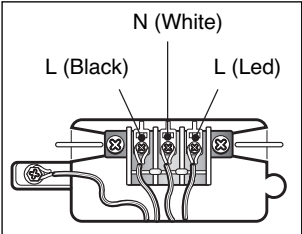
1. This TEST should be used for Factory test /Service test. Do not use this DIAGNOSTIC TEST other than specified.
2. Activating the Heater manually with the Door open may trip the Thermostat attached to the Heater, therefore do not activate it manually. (Do not press the door switch to operate the heater while the door is open )

## ■ ACTIVATING THE DIAGNOSTIC TEST MODE

1. Unit must be in Standby (unit plugged in, display off)
2. Press **POWER** while pressing **MORE TIME**, and **LESS TIME** simultaneously.

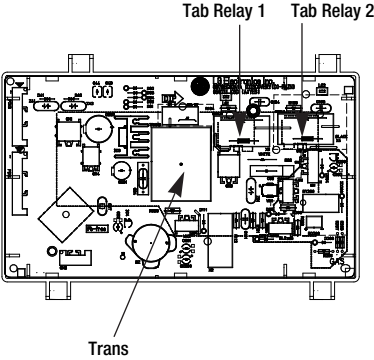
Pressing the START/PAUSE button	CHECKING ACTION	DISPLAY	CHECKING POINT	REMARK
None	Electric control & Temperature sensor	LQC TEST	Won't power up Detective LED or LCD	See test 1 Display: See page
		tE1	Thermistor open	See test 2
		tE2	Thermistor close	
Once	Motor	70 ~ 239 Measured Moisture Value.	Motor runs	See test 3
			Displays Moisture Sensor Operation: If moisture sensor is contacted with damp cloth. The display number is below 180, in normal condition.	See test 4
Twice	<ul style="list-style-type: none"> <li>■ ELECTRIC TYPE Motor + Heater 1 (2700W)</li> <li>■ GAS TYPE Motor + Valve</li> </ul>	Current Temp.	<ul style="list-style-type: none"> <li>■ ELECTRIC TYPE: Heater runs</li> <li>■ GAS TYPE: GAS Valve runs (Display the Temperature of Inside drum.)</li> </ul>	Gas valve See test 7
3 times	<ul style="list-style-type: none"> <li>■ ELECTRIC TYPE Motor + Heater 1 +Heater 2 (5400W)</li> <li>■ GAS TYPE Motor+Valve</li> </ul>	Current Temp. (5 ~ 70)		
4 times	Motor, Heater	50~230 Measured	Motor, Heater Off Semi-conductor	See test 8
		"SE"(Error Display)		
5 times	Control Off			Auto Off
During check, If the door is open.	Motor & Heater Off + Lamp On + Buzzer beeps seven times	"dE" or "Error" (THE DOOR IS OPEN.PLEASE CLOSE THE DOOR COMPLETELY)	Door switch	See test 6
			Lamp	
During check, If the door is closed.	Motor on & Heater Off + Lamp Off	70 ~ 239	<ul style="list-style-type: none"> <li>• Press Start button 1 time and then open the door. Proceed again with the step 1 (by pressing start 1 time), step 2 (by pressing start 2 times), step 3 (by pressing start 3 times) and step 4 (by pressing start 4 times) in sequence.</li> <li>• Press Start 2 times and then open the door. Proceed again from the step 1 all the way to the step 4.</li> <li>• Press Start 3 times and then open the door Proceed with the step 1 and skip the step 2 and press step 3 twice and finish with step 4 by making sure the all the electric devices shut off in the end.</li> </ul>	

## ■ Test 1 120V AC Electrical supply

<b>Caution</b>	When measuring power, be sure to wear insulated gloves, to and avoid an electric shock.	
<b>Trouble Symptom</b>	No power was applied to Controller. (LED,LCD Display off)	
<b>Measurement Condition</b>	With Dryer Power On; Connector linked to Controller.	
<div style="display: flex; flex-direction: column; align-items: center;"> <div style="display: flex; width: 100%; justify-content: space-between; align-items: center;"> <div style="width: 25%; text-align: center;">  </div> <div style="width: 50%; border: 1px solid black; padding: 5px;"> <p>Check the outlet, is the voltage 110V ~ 125V AC?</p> </div> <div style="width: 20%; text-align: center;"> <p><b>NO</b></p> </div> <div style="width: 25%; border: 1px solid black; padding: 5px;"> <p>• Check the fuse or circuit breaker.</p> </div> </div> <div style="display: flex; width: 100%; justify-content: center; margin: 10px 0;"> <div style="width: 40%; text-align: center;"> <p><b>YES</b></p> </div> </div> <div style="display: flex; width: 100%; justify-content: space-between; align-items: center;"> <div style="width: 25%; text-align: center;">  </div> <div style="width: 50%; border: 1px solid black; padding: 5px;"> <p>Check if the voltage measured between Connector BK2 or WH2-② (Black Wire) Linked to the Controller and WH1-① (White Wire) Is 110~125V?</p> </div> <div style="width: 20%; text-align: center;"> <p><b>NO</b></p> </div> <div style="width: 25%; border: 1px solid black; padding: 5px;"> <p>• Check if Power Cord is properly connected.</p> </div> </div> <div style="display: flex; width: 100%; justify-content: center; margin: 10px 0;"> <div style="width: 40%; text-align: center;"> <p><b>YES</b></p> </div> </div> <div style="display: flex; width: 100%; justify-content: space-between; align-items: center;"> <div style="width: 25%; text-align: center;">  </div> <div style="width: 50%; border: 1px solid black; padding: 5px;"> <p>① Check if the Controller wire is disconnected. ② Check if Terminal Block and Power Cord are connected (Check Plug ). - Does Power Cord N (Natural) line match to Terminal Center N (Natural) line?</p> </div> <div style="width: 20%; text-align: center;"> <p><b>NO</b></p> </div> <div style="width: 25%; border: 1px solid black; padding: 5px;"> <p>• Reconnect the controller.</p> </div> </div> <div style="display: flex; width: 100%; justify-content: center; margin: 10px 0;"> <div style="width: 40%; text-align: center;"> <p><b>YES</b></p> </div> </div> <div style="width: 100%; border: 1px solid black; padding: 5px; text-align: center;"> <p>Replace controller.</p> </div> </div>		

<b>Caution</b>	When measuring power, be sure to wear insulated gloves, to and avoid an electric shock.
<b>Trouble Symptom</b>	Check the Tab Relays Connection properly.
<b>Measurement Condition</b>	With Dryer Power On; Connector linked to Controller.

**1. Power Connection**



\* PCB ASSEMBLY LAYOUT

**< Table 1 > : Connection of the Tab Relay with Heater (Elec)**

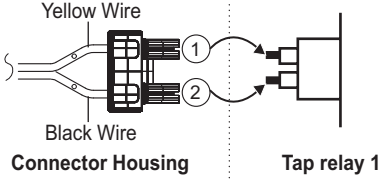
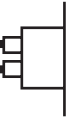
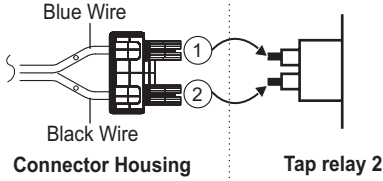
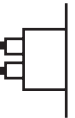
	Tab Relay 1	Tab Relay 2	Heater 1	Heater 2	Remark
High Mid High Medium	on	on	on	on	Temperature Control below $68 \pm 4^{\circ}\text{C}$ . Turn on Heater1 and Heater2.
Low Extra Low	on	off	on	off	Temperature Control below $52 \pm 4^{\circ}\text{C}$ . Only Turn on Heater1.

**< Table 2 > : Connection of the Tab Relay with Burner (Gas)**

	Tab Relay 1	Burner	Remark
High Mid High Medium	○	○	Temperature Control below $70 \pm 4^{\circ}\text{C}$ . Turn on Burner
Low Extra Low	○	○	Temperature Control below $47 \pm 4^{\circ}\text{C}$ . Turn on Burner

**2. Status Mode Of The Connection**

**< Table 1 > : Connection of Tab Relay with the Tab Relay of the PCB ASSEMBLY (Elec)**

	Color	Connection		Remark
		Harness	PCB	
Connector Housing	Black			Check the Matching color Between Harness wire and Tab Relay. (Black Housing – Black Tab Relay)
	White			Check the Matching color Between Harness wire and Tab Relay. (White Housing – White Tab Relay)

< Table 2 > : Connection of Tab Relay with PCB ASSEMBLY (Gas)

	Color	Harness	PCB	Remark
Connector Housing	Black	<p>Blue Wire Black Wire Connector Housing Tap relay 1</p>		Check the Matching color Between Harness wire and Tab Relay. (Black Housing – Black Tab Relay)

### 3. Status Mode Of wrong Connection

< Table1 > : Wrong Connection of the Tab Relay and Connector Housing (Elec)

Items	Case	Heater1 Operation(black)	Heater2 operation(White)	PCB condition Of operation
1.Black and White Housing	Wire ①, ② CROSS	Off	Off	Power Off
2.Black Housing	Wire ①, ② CROSS	Off	Off	Power Off
3.White Housing	Wire ①, ② CROSS	Normal	Normal	Power On
* 4.Black and White Housing	Housing CROSS	Heater2	Heater1	Power On
5.Black and White Housing	Housing and Wire ①, ② CROSS	Off	Off	Power Off

< Table2 > : Wrong Connection of the Tab Relay and Connector Housing (Gas)

Items	Case	Heater1 Operation(black)	Heater2 operation(White)	PCB condition Of operation
1.Black and White Housing	Wire ①, ② CROSS	Off	Off	Power Off

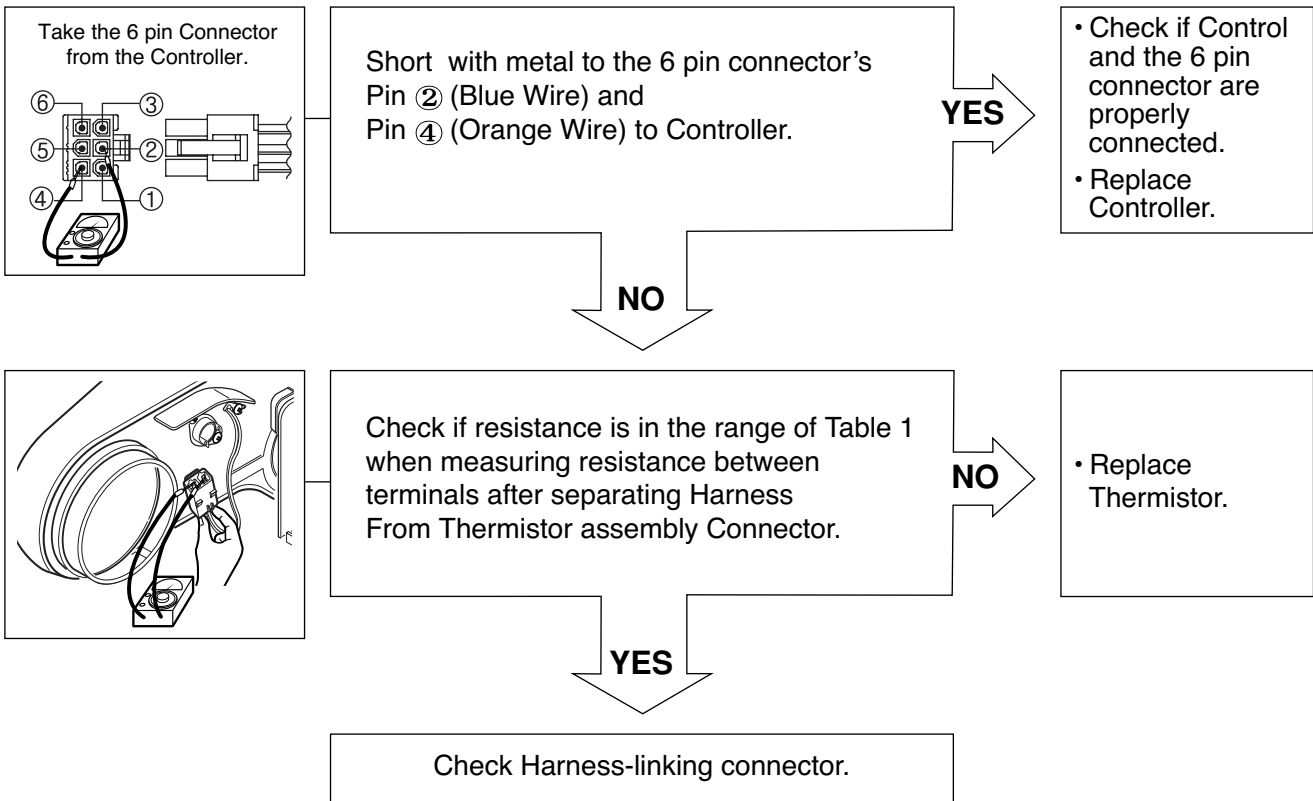
### ⚠ CAUTION

- In case of power failure(<Table1>-1,2,5,<Table2>-1), Please check the Connection of "2.Status Table of Connection".  
In case of power failure(<Table1>-4), please check the Connection of "2. Status Table of Connection". Because improper Connection of the equipment-dryer can be damaged of changing heater.



## ■ Test 2 Thermistor Test --- Measure with Power Off

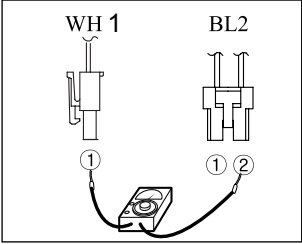
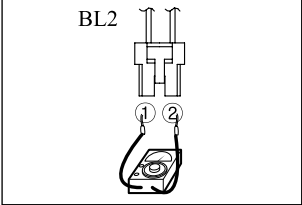
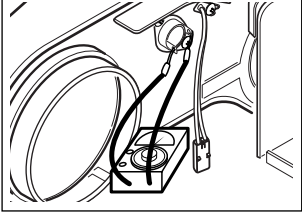
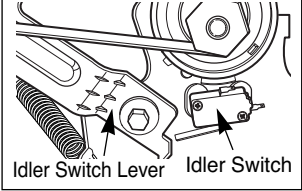
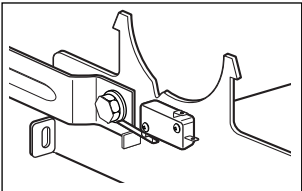
<b>Caution</b>	Before measuring resistance, be sure to turn Power off, and do voltage discharge. (When discharging, contact the metal plug of Power cord with the Ground.)
<b>Trouble Symptom</b>	<ul style="list-style-type: none"> <li>① During Diagnostic Test, tE1 and tE2 Error occur.</li> <li>② During operation, Heater would not turn off, or remains on.</li> <li>③ Difference between actual and sensed temperature is significant.</li> </ul>
<b>Measurement Condition</b>	After turning Power off, measure the resistance.



■ Table 1. Resistance for Thermistor Temperature.

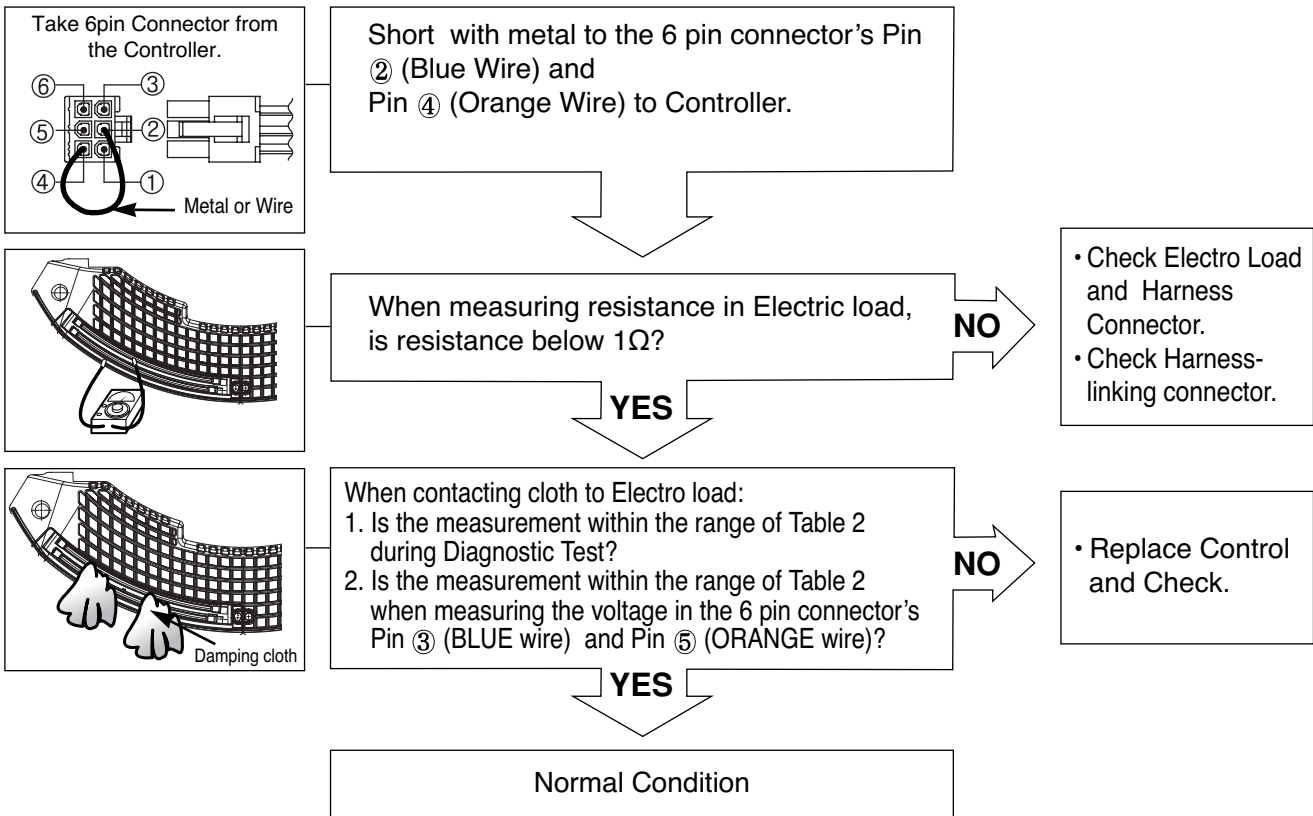
Air TEMP.[°F (°C)]	RES. [kΩ]	Air TEMP.[°F (°C)]	RES. [kΩ]	Air TEMP.[°F (°C)]	RES. [kΩ]
50°F (10°C)	18.0	90°F (32°C)	7.7	130°F (54°C)	2.9
60°F (16°C)	14.2	100°F (38°C)	6.2	140°F (60°C)	3.0
70°F (21°C)	11.7	110°F (43°C)	5.2	150°F (66°C)	2.5
80°F (27°C)	9.3	120°F (49°C)	4.3	160°F (71°C)	2.2

## ■ Test 3 Motor test

<p><b>Caution</b></p>	<p>Before measuring resistance, be sure to turn Power off, and do voltage discharge. (When discharging, contact the metal plug of Power cord with earth line.)</p>	
<p><b>Trouble Symptom</b></p>	<p>Drum will not rotate; No fan will function; No Heater will work.</p>	
<p><b>Measurement Condition</b></p>	<p>Turn the Dryer's Power Off, then measure resistance.</p>	
	<p>Is resistance below <math>3\Omega</math> between Connector WH① (White wire) and BL2-② (Brown wire)? ※ Measure while door is closed.</p>	<p><b>YES</b></p> <ul style="list-style-type: none"> <li>• Replace Control. (Relay check)</li> <li>• Check Controller connector.</li> </ul>
	<p>Is resistance below <math>3\Omega</math> between Connector WH① (White wire) and BL2-① (Yellow wire)? ※ Measure while door is closed.</p>	<p><b>NO</b></p> <ul style="list-style-type: none"> <li>• Check if Door flame presses door switch knob.</li> <li>• Check Door Switch.</li> <li>• Check Harness connection.</li> </ul>
	<p>Is resistance below <math>3\Omega</math> between Connector BL2-① (Yellow wire) and BL2-② (Brown wire)?</p>	<p><b>YES</b></p> <ul style="list-style-type: none"> <li>• Replace Control. (Relay check)</li> <li>• Check Controller connector.</li> </ul>
	<p>Is resistance below <math>1\Omega</math> between terminals of Outlet Thermostat attached to blower housing?</p>	<p><b>NO</b></p> <ul style="list-style-type: none"> <li>• Replace Outlet Thermostat. (Refer to 'Component')</li> </ul>
	<p>Does Idle Switch attached to Motor Bracket operate Level by drum belt? (Not operating Lever is normal.)</p>	<p><b>YES</b></p> <ul style="list-style-type: none"> <li>• Check Idler Assembly.</li> <li>• Drum Belt cuts off</li> <li>• Drum Belt takes off from Motor Pulley.</li> </ul>
	<p>Is resistance below <math>1\Omega</math> between Idler Switch terminals?</p>	<p><b>NO</b></p> <ul style="list-style-type: none"> <li>• Replace Idler Switch.</li> </ul>
	<p><b>YES</b></p> <ul style="list-style-type: none"> <li>• Check Motor. (Refer to 'Motor Diagram &amp; Check')</li> <li>• Check if Control Connector is contacted.</li> </ul>	

## ■ Test 4 Moisture sensor

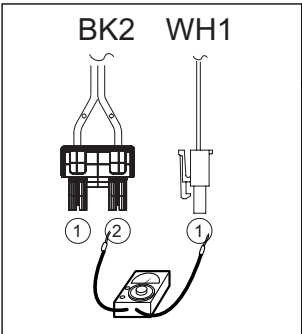
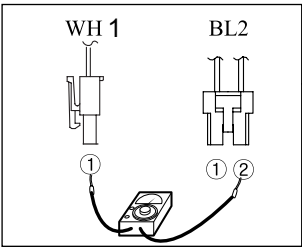
<b>Caution</b>	Before measuring resistance, be sure to turn Power off, and do voltage discharge. (When discharging, contact the metal plug of Power cord with earth line.)
<b>Trouble Symptom</b>	Degree of dryness does not match with Dry Level.
<b>Measurement Condition</b>	Turn the Dryer's Power Off, then measure resistance.



■ Table 2. IMC Ratio and Display Value / Voltage (IMC: Initial Moisture Content)

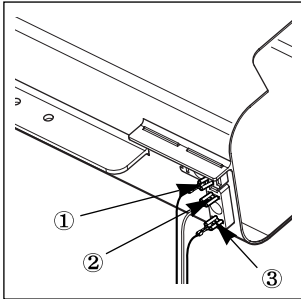
IMC	Display Value	Voltage (DC) (between 6 Pin terminal ③,⑤)	Remark
70% ~ 40%	50 ~ 130	2.5V	Weight after removing from Washing Machine
40% ~ 20%	130 ~ 20	2.0V ~ 4.0V	Damp Dry
10% ~ Dried clothes	205 ~ 240	Over 4.0V	Completely-dried clothes

## ■ Test 5 Door switch test

<b>Caution</b>	Before measuring resistance, be sure to turn Power off, and do voltage discharge. (When discharging, contact the metal plug of Power cord with earth line.)	
<b>Trouble Symptom</b>	Door Opening is not sensed.(During operation, when opening Door, Drum motor and Heater run continuously) Door Close is not sensed. (Drum motor will not operate. Display will flash at 0.5 second intervals.)	
<b>Measurement Condition</b>	After turning Dryer Power Off, measure resistance.	
	<p>Measure while Door is closed. Check it resistance is below 2500 Ω between WH1-①(White wire) and BK2-② Connector WH1,BL2 after taking WH1,BL2 out from Controller.</p>	<p><b>YES</b></p> <ul style="list-style-type: none"> <li>• Door switch Check (Refer to Component testing.)</li> </ul>
	<p><b>NO</b></p> <p>Measure while Door is open. Check it resistance is 300~60 Ω between WH1-①(White wire) and BK2-② (Black wire). Connector WH1,BL2 after taking WH1,BL2 out from Controller.</p>	<p><b>NO</b></p> <ul style="list-style-type: none"> <li>• Check Lamp. (When opening Lamp, replace then measure again.)</li> <li>• Door switch Check(Refer to Component testing.)</li> </ul>
	<p><b>YES</b></p>	
	<p>Measure while Door is open. Check it resistance is below 1 Ω between BL2- ①(Yellow wire) and WH1-①(White wire) after taking Connector WH1,BL2 out from Controller.</p>	<p><b>YES</b></p> <ul style="list-style-type: none"> <li>• Door switch Check (Refer to Component testing.)</li> </ul>
	<p><b>NO</b></p> <p>Measure while Door is closed. Check it resistance is below 1 Ω between BL2- ①(Yellow wire) and WH1-①(White wire) after taking Connector WH1,BL2 out from Controller.</p>	<p><b>NO</b></p> <ul style="list-style-type: none"> <li>• Door switch Check (Refer to Component testing.)</li> </ul>
	<p><b>YES</b></p>	
	<p>Check Controller. Check Harness-linking connector.</p>	

## ■ Test 6 Heater switch test - Electric Type

<b>Caution</b>	Before measuring resistance, be sure to turn Power off, and do voltage discharge. (When discharging, contact the metal plug of Power cord with earth line.)
<b>Trouble Symptom</b>	While operating, Heating will not work. Drying time takes longer.
<b>Measurement Condition</b>	After turning Power off, measure the resistance.

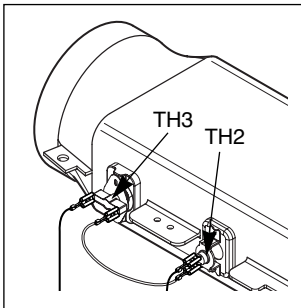


1. Is resistance between Heater terminal ① and ② below 18 ~ 22Ω?
2. Is resistance between Heater terminal ① and ③ below 18 ~ 22Ω?
3. Is resistance between Heater terminal ② and ③ below 9 ~ 11Ω?

**NO**

• Replace Heater.

**YES**



Check if the value of measured resistance is below 1Ω between terminal TH2 (Safety Thermostat).

**NO**

• Replace TH2 (Safety Thermostat).

**YES**

Check if the value of measured resistance is below 1Ω between terminal TH3 (HI-Limit Thermostat).

**NO**

• Replace TH3 (HI-Limit Thermostat).

**YES**

Check Motor. Check if the value of measured resistance is below 1Ω between terminal ① and ⑩ at RUN condition.

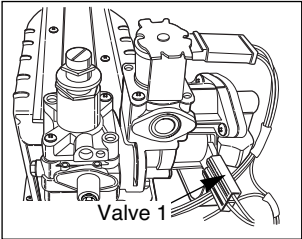
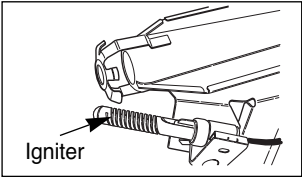
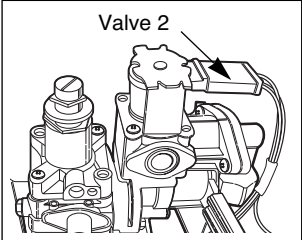
**NO**

• Check Motor and replace it.

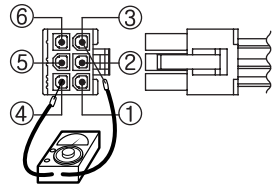
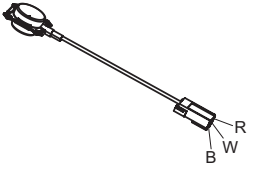
**YES**

Check Controller.  
Check Harness-linking Connector.

## ■ Test 7 GAS Valve test - Gas Type

<b>Caution</b>	When measuring power, be sure to wear insulated gloves, to avoid electric shock.	
<b>Trouble Symptom</b>	While operating, Heating will not work. Drying time takes longer.	
<b>Measurement Condition</b>	With dryer power on	
	<p>Power On &amp; Start (Normal Cycle)</p> <p style="text-align: center;"><b>NO</b></p>	
	<p>When measuring Valve 1 voltage, More than DC 90V?</p> <p style="text-align: right;"><b>NO</b></p>	<ul style="list-style-type: none"> <li>• Check thermostat Hi limit Safety</li> </ul>
	<p>Igniter operates? (after 1 min, Igniter becomes reddish)</p> <p style="text-align: right;"><b>NO</b></p>	<ul style="list-style-type: none"> <li>• Check Igniter &amp; Frame detect</li> </ul>
	<p>When measuring Valve 2 voltage, Value is more than DC 90V? (10 sec after Igniter off)</p> <p style="text-align: right;"><b>YES</b></p>	<ul style="list-style-type: none"> <li>• Check Gas connection or Gas supply</li> </ul>
	<p>When measuring terminal resistance on Valve 1 and Valve 2, Valves are more than 1.5 ~ 2.5kΩ? (Measure after Off)</p> <p style="text-align: right;"><b>YES</b></p>	<ul style="list-style-type: none"> <li>• Change Valve</li> </ul>
	<p>If "Valve 1 " and "Valve 2" are under DC 10V, Valves are Off?</p> <p style="text-align: right;"><b>NO</b></p>	<ul style="list-style-type: none"> <li>• Change Valve</li> </ul>
	<p style="text-align: center;"><b>YES</b></p> <ul style="list-style-type: none"> <li>• Harness check</li> <li>• Controller change</li> </ul>	

## ■ Test 8 Semi Conductor

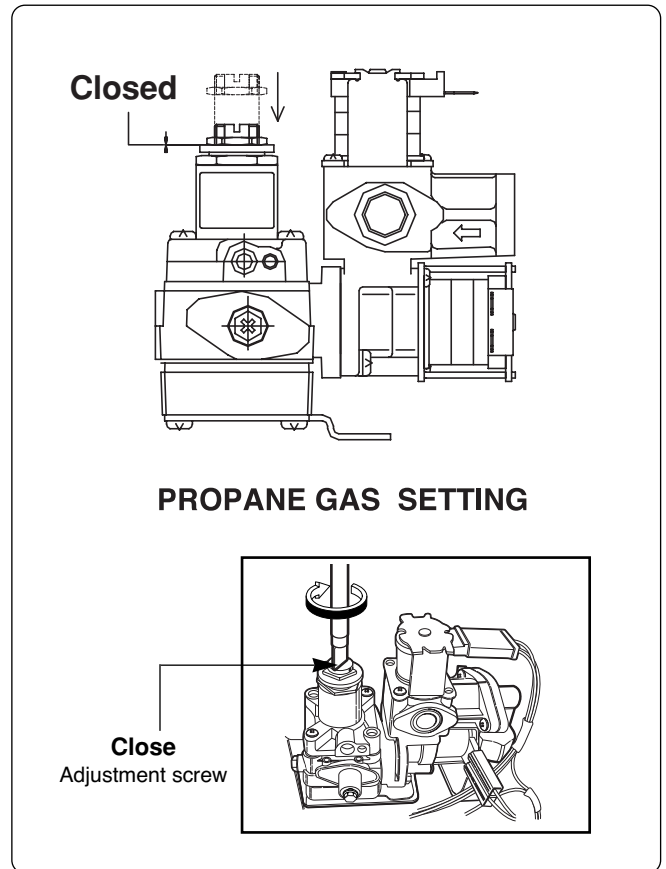
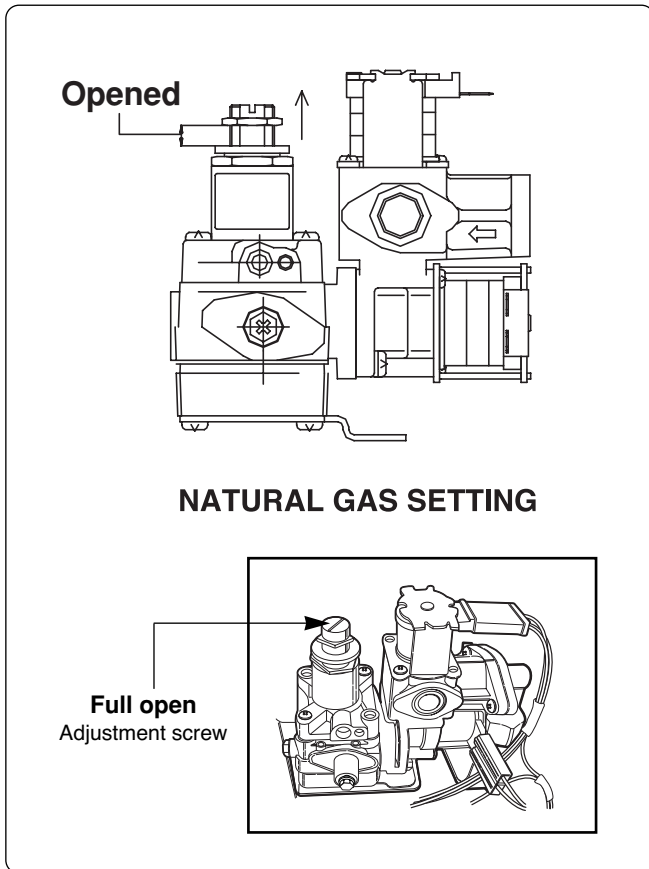
<p><b>Caution</b></p>	<p>Before measuring resistance, be sure to turn Power off, and do voltage discharge. (When discharging, contact the metal plug of Power cord with earth line.)</p>
<p><b>Trouble Symptom</b></p>	<p>Degree of Resistance is not in <math>300 \pm 30 \Omega</math></p>
<p><b>Measurement Condition</b></p>	<p>Turn the Dryer's Power Off, then measure resistance.</p>
<div style="display: flex; flex-direction: column; align-items: center;"> <div style="display: flex; justify-content: space-between; width: 100%;"> <div data-bbox="155 753 456 1023" style="width: 25%;"> <p>Take 6pin Connector from the Controller.</p>  </div> <div data-bbox="480 761 1105 874" style="width: 45%;"> <p>When measuring resistance ③-④, ④-⑤ Is resistance <math>300 \pm 20 \Omega</math>?</p> </div> <div data-bbox="1101 783 1182 868" style="width: 15%; text-align: center;"> <p><b>NO</b></p> </div> </div> <div style="display: flex; justify-content: space-between; width: 100%; margin-top: 10px;"> <div data-bbox="721 880 862 953" style="width: 45%; text-align: center;"> <p><b>YES</b></p> </div> <div data-bbox="1211 719 1463 953" style="width: 45%; border: 1px solid black; padding: 5px;"> <ul style="list-style-type: none"> <li>• Check Semi-conductor and Harness Connector</li> <li>• Check Harness linking connector</li> </ul> </div> </div> <div style="display: flex; justify-content: space-between; width: 100%; margin-top: 20px;"> <div data-bbox="155 1087 456 1315" style="width: 25%;">  </div> <div data-bbox="480 1087 1105 1293" style="width: 45%;"> <p>When measuring resistance in Semi-Conductor Is resistance <math>300 \pm 20 \Omega</math>?</p> <ol style="list-style-type: none"> <li>1. Is the measurement within the range of <math>300 \pm 20 \Omega</math> between Red-White?</li> <li>2. Is the measurement within the range of <math>300 \pm 20 \Omega</math> between Black-White?</li> </ol> </div> <div data-bbox="1101 1166 1182 1251" style="width: 15%; text-align: center;"> <p><b>NO</b></p> </div> </div> <div style="display: flex; justify-content: space-between; width: 100%; margin-top: 10px;"> <div data-bbox="721 1293 862 1366" style="width: 45%; text-align: center;"> <p><b>YES</b></p> </div> <div data-bbox="1211 1119 1463 1272" style="width: 45%; border: 1px solid black; padding: 5px;"> <ul style="list-style-type: none"> <li>• Replace Control and Check.</li> </ul> </div> </div> <div data-bbox="480 1385 1105 1459" style="width: 100%; text-align: center; margin-top: 20px;"> <p>Normal Condition</p> </div> </div>	

**Warning**

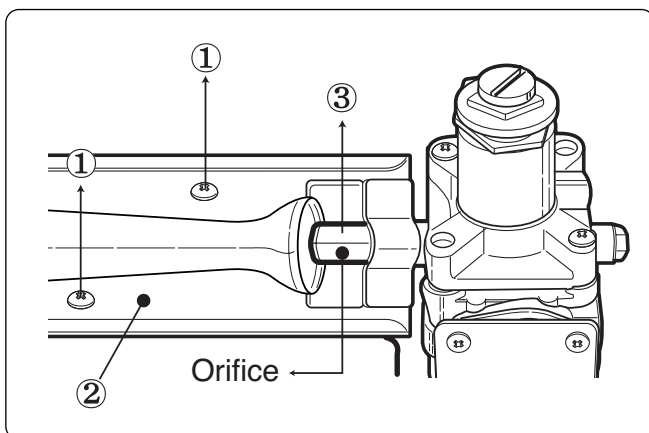
Changing orifices and gas valve adjustments improperly can result in an explosion and/or fire. Conversion must be made by a qualified technician.

**Initially**, Natural Gas mode is set. Propane Gas Orifice is on sale as a Service Part to authorized servicers only.

**STEP 1 : VALVE SETTING**



**STEP 2 : ORIFICE CHANGE**



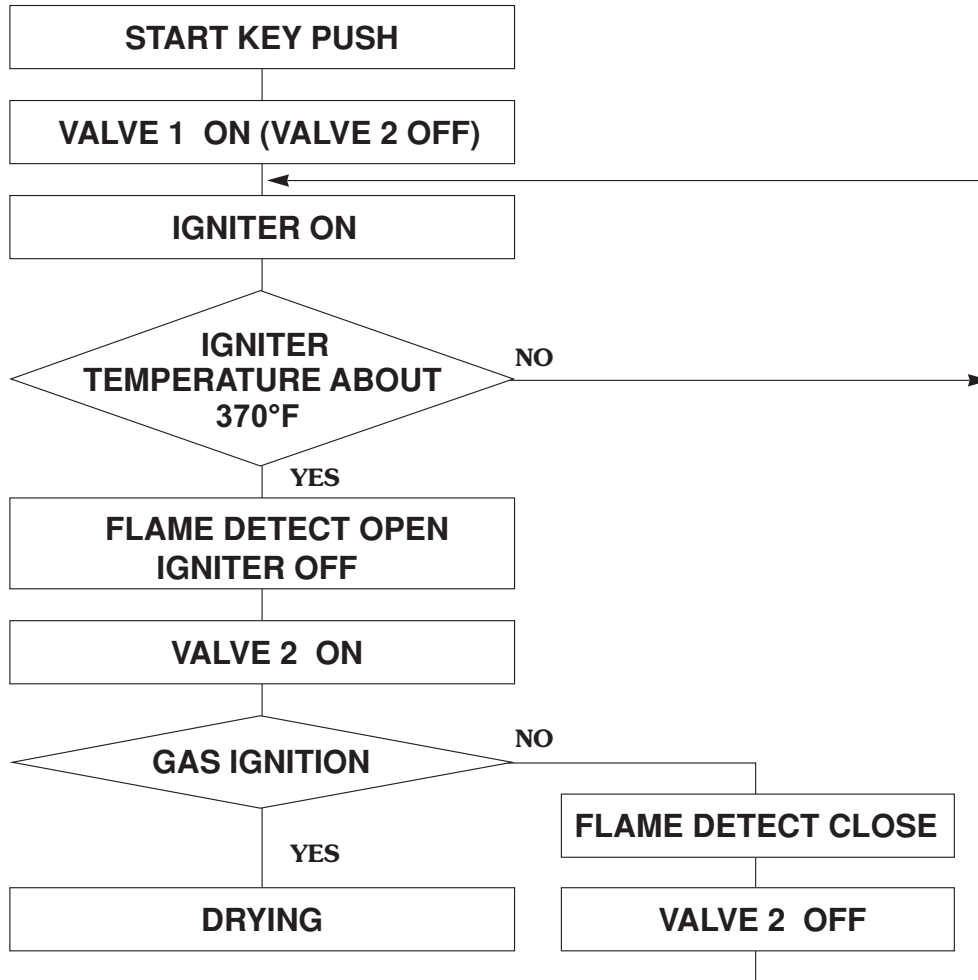
- ① Remove 2 screws.
- ② Disassemble the pipe assembly.
- ③ Replace Natural Gas orifice with Propane Gas orifice.

Gas type	Orifice P/No	Marking	Shape
Natural Gas	4948EL4001B	NCU	
Propane Gas	4948EL4002B	PCU	

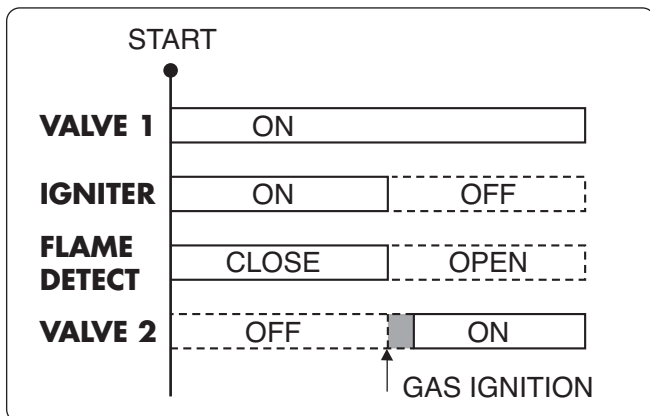
※ **Kit contents:** Orifice (Dia. = 1.613mm, for Propane Gas)  
 Replace Label  
 Instruction Sheet



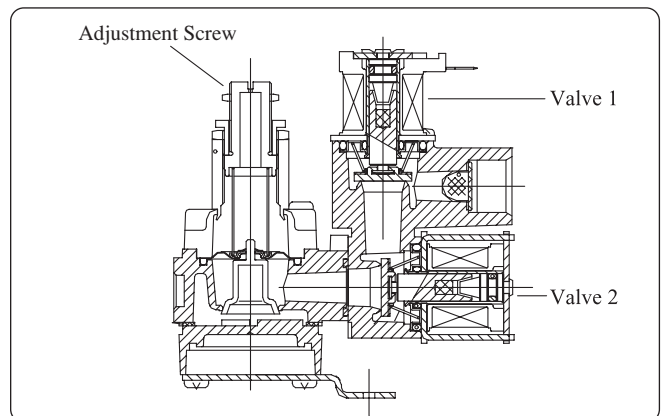
## ■ GAS VALVE FLOW



### GAS IGNITION



### GAS VALVE STRUCTURE

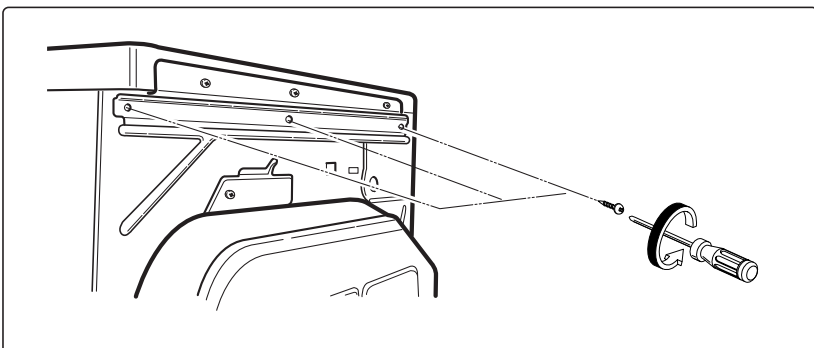


# 11

## DISASSEMBLY INSTRUCTIONS

\* Disassemble and repair the unit only after pulling out power plug from the outlet.

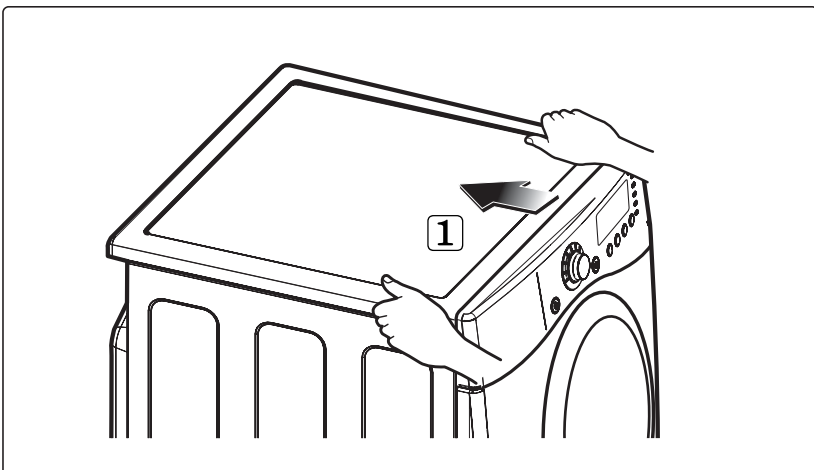
### TOP PLATE



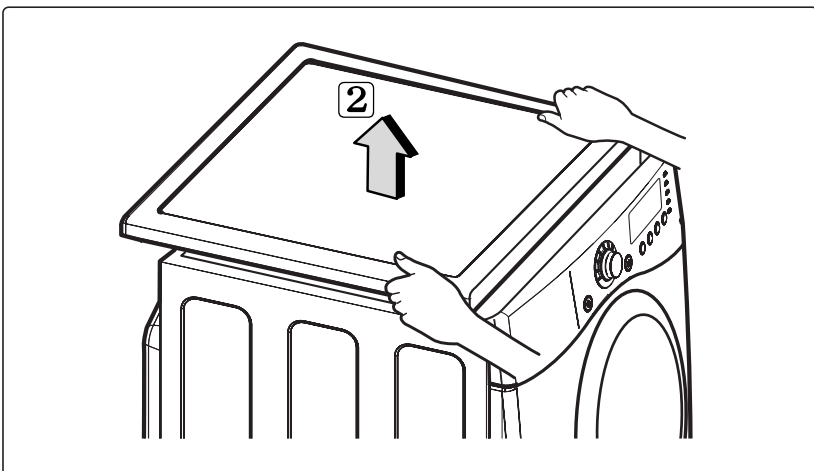
### ! WARNING !

When you disassemble the top plate, be sure to take gloves and careful plate's edge. Failure to do so can cause serious injury.

1. Remove 3 screws on the upper plate.

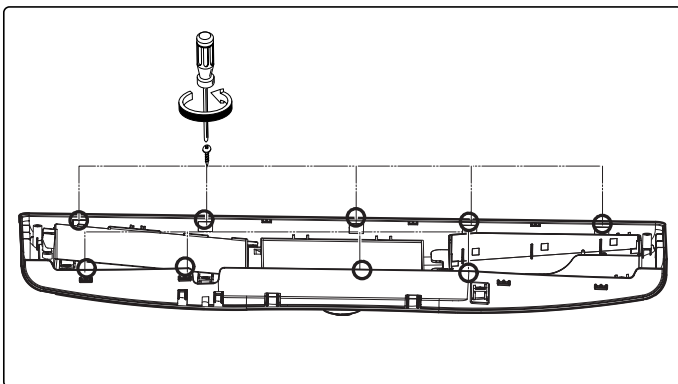
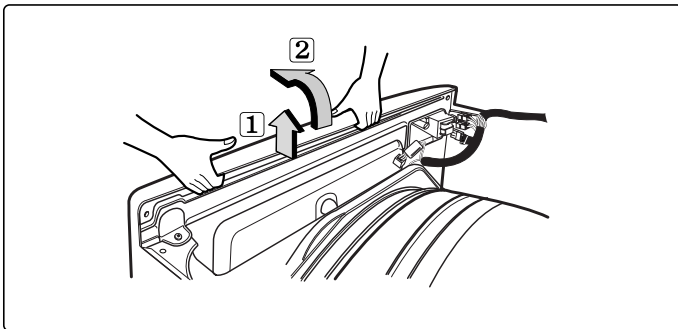
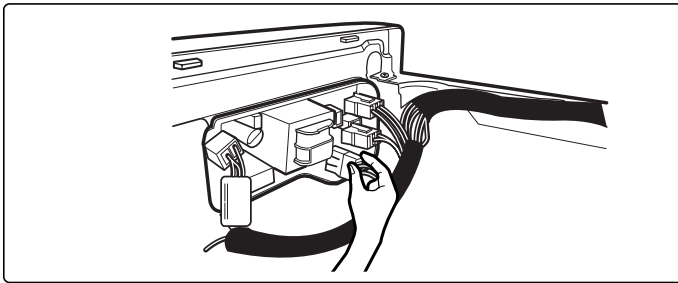
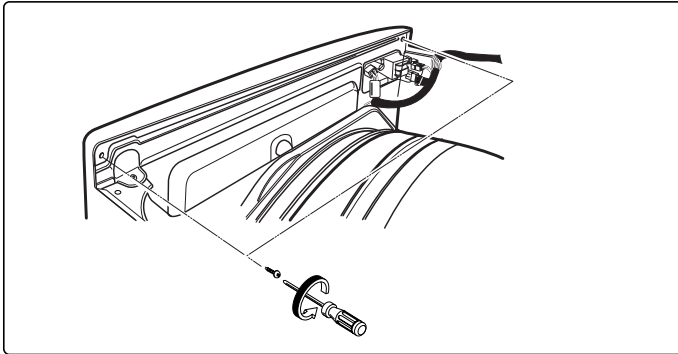


2. Push the top plate back ward.



3. Lift the top plate

## CONTROL PANEL ASSEMBLY

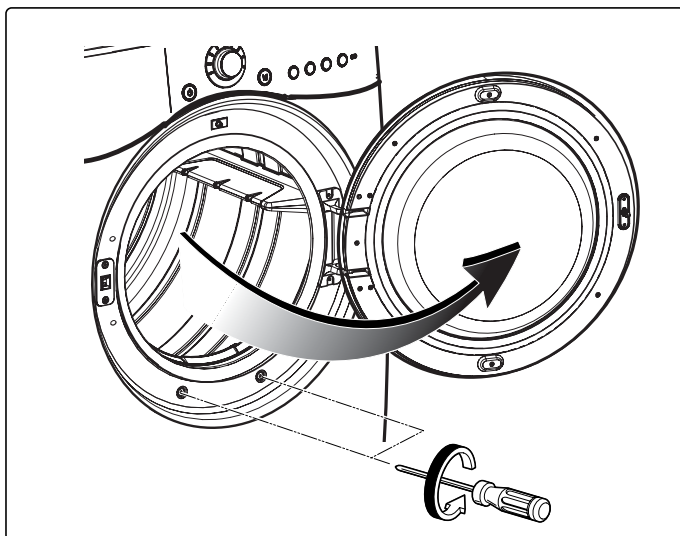


### **⚠ WARNING !**

When you disassemble the control panel, be sure to take gloves and careful panel frame's edge. Failure to do so can cause serious injury.

1. Remove 2 screws on the control panel frame.
2. Disconnect the connectors.
3. Pull the control panel assembly upward and then forward.
4. Remove 9 screws on the PWB(PCB) assembly, display.
5. Remove 4 screws on the PWB(PCB) assembly, main.
6. Disassemble the control panel assembly.

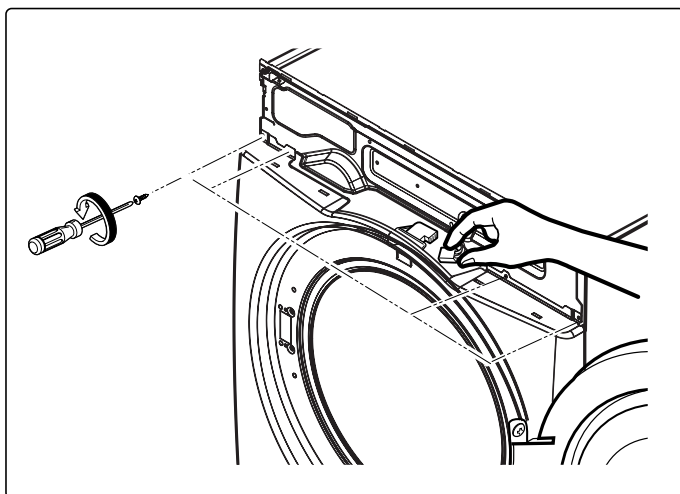
## COVER CABINET



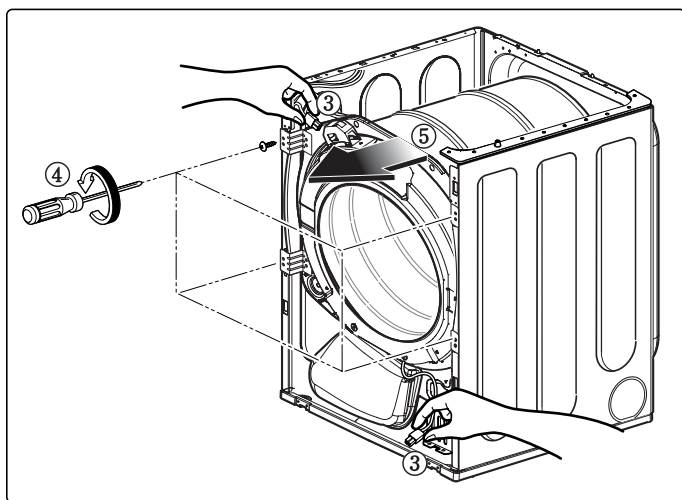
### **⚠ WARNING !**

When you disassemble the door switch connector, be sure to take gloves and careful cabinet edge. Failure to do so can cause serious injury.

1. Disassemble the top plate.
2. Disassemble the control panel assembly.
3. Disassemble the door assembly.
4. Remove 2 screws.
5. Remove 4 screws from the top of cabinet cover.
6. Disconnect the harness of door switch.



## TUB DRUM [FRONT]

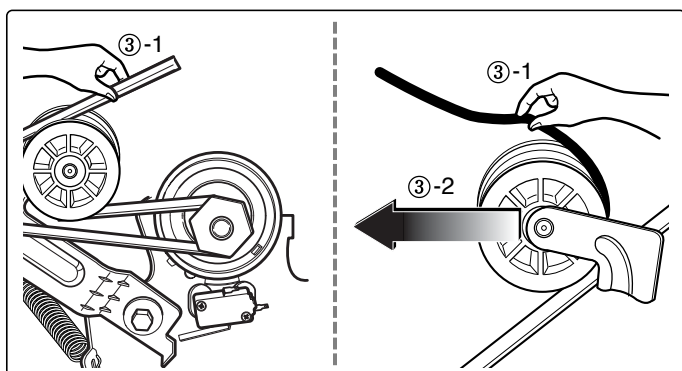


## ⚠ WARNING !

When you disassemble the lamp connector, be sure to take gloves and careful cabinet edge. Failure to do so can cause serious injury.

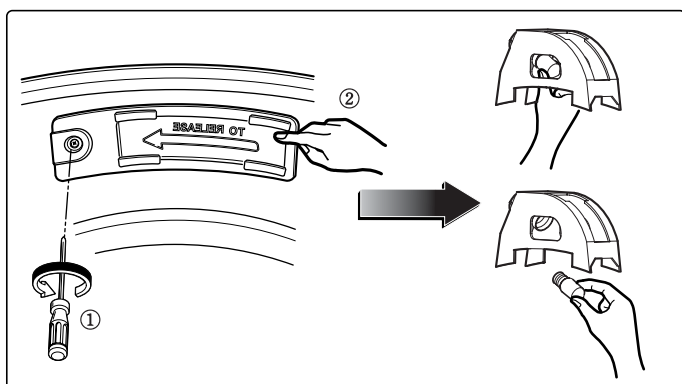
1. Disassemble the top plate.
2. Remove Cover Cabinet.
3. Disconnect the door lamp and electrode sensor connector.
4. Remove 4 screws.
5. Disassemble the Tub Drum [Front].

## DRUM ASSEMBLY



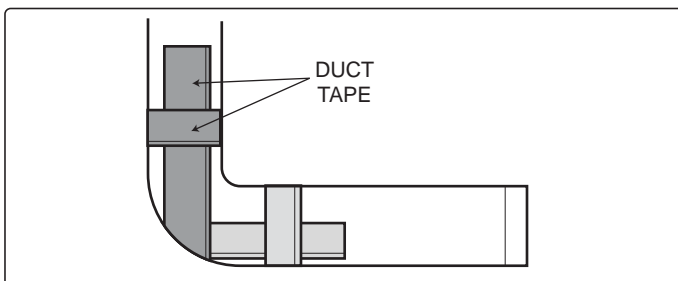
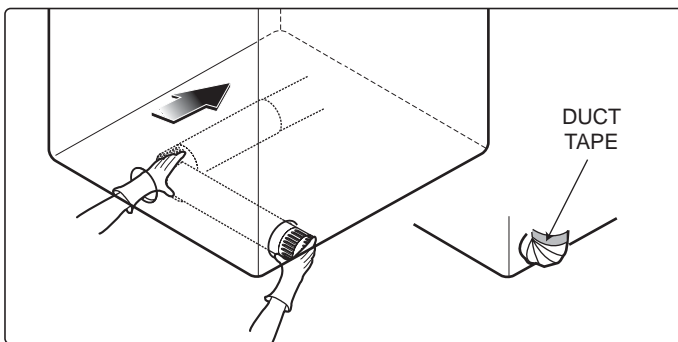
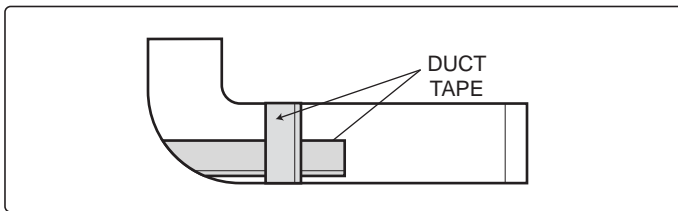
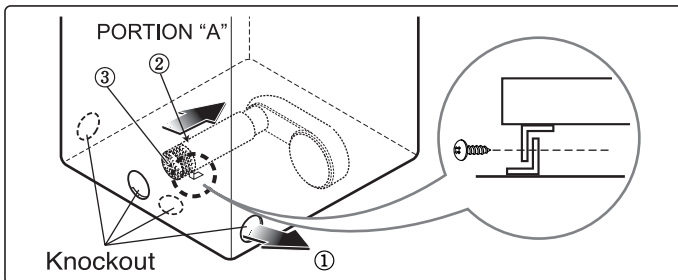
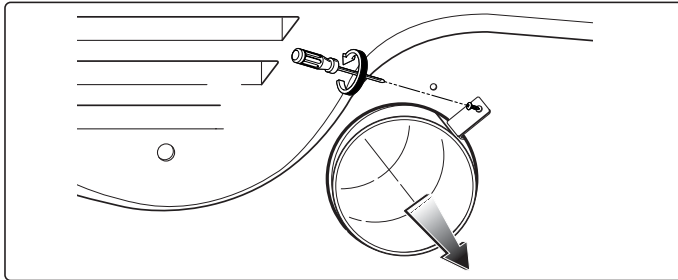
1. Disassemble the top plate.
2. Remove the Cabinet Cover and Tub drum [front].
3. Loosen belt from motor and idler pulleys.
4. Carefully remove the drum.

## CHANGING THE DRUM LAMP



1. Disassemble the door.
2. Hold the lamp shield in place while removing the screw.
3. Slide the shield up and remove.
4. Remove the bulb and replace with a 15 watt, 120 volt candelabra-base bulb.
5. Replace the lamp shield and screw.

## DRYER EXHAUST CHANGE

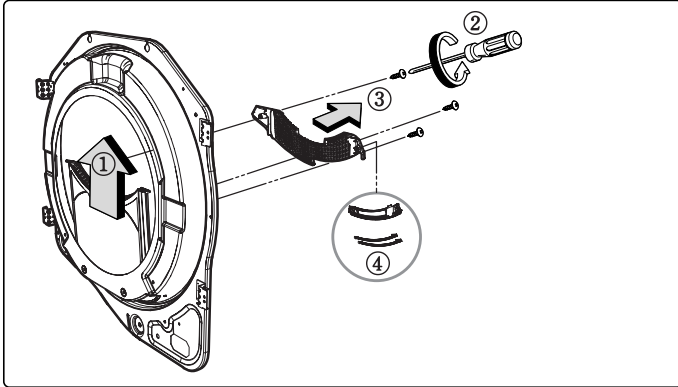


## ⚠ WARNING !

When you disassemble and install ventilation, be sure to take gloves and careful exhaust edge. Failure to do so can cause serious injury.

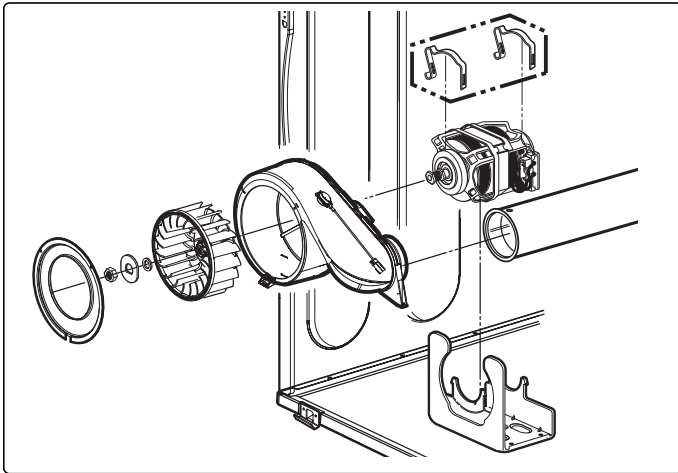
1. Remove a screw and the exhaust duct.
- 2-1. Detach and remove a knockout at the bottom, left or right side as desired. (Right Side Vent not available on Gas dryer)  
①, ②, ③ the order of work.
- 2-2. Reconnect the another duct [11 in (28cm)] to the blower housing, and attach the duct to the base. (Duct is a SVC part)
- 3-1. Pre-assemble 4" elbow with 4" duct.  
Wrap duct tape around joint.
- 3-2. Insert the elbow duct assembly through the side opening and connect the elbow to the internal duct.

## FILTER ASSEMBLY



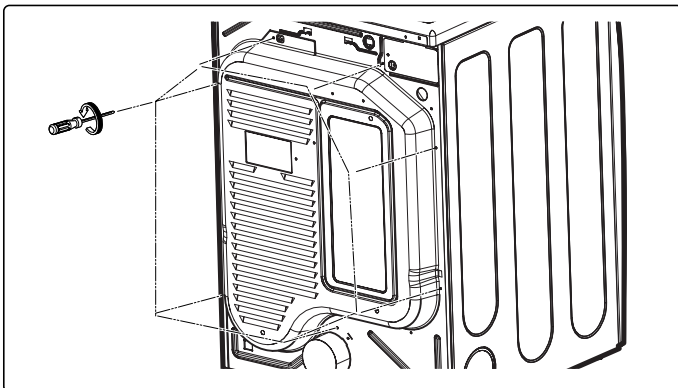
1. Remove the filter.
2. Remove 3 screws.
3. Remove the Cover Grid.
4. Disconnect the electrode sensor.

## BLOWER HOUSING



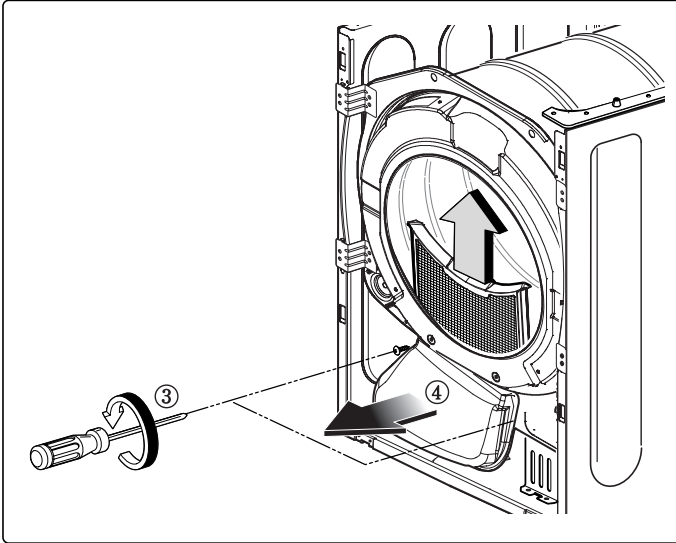
1. Disassemble the top plate.
2. Remove the Cabinet Cover and Tub Drum [Front].
3. Remove the Drum assembly.
4. Remove 2 screws and cover (Air guide).
5. Remove the bolt and washer.
6. Remove the fan.
7. Disconnect the motor clamp and motor.

## BACK COVER



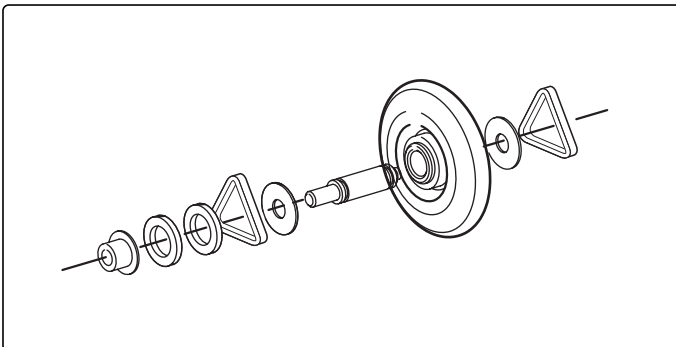
1. Disassemble the top plate.
2. Remove the Cabinet Cover and Tub Drum [Front].
3. Remove the Drum assembly.
4. Remove 7 screws.
5. Remove the Back Cover.

## AIR DUCT



1. Disassemble the top plate.
2. Remove the Cover Cabinet.
3. Remove the filter and 2 screws.
4. Remove the air duct.

## ROLLERS



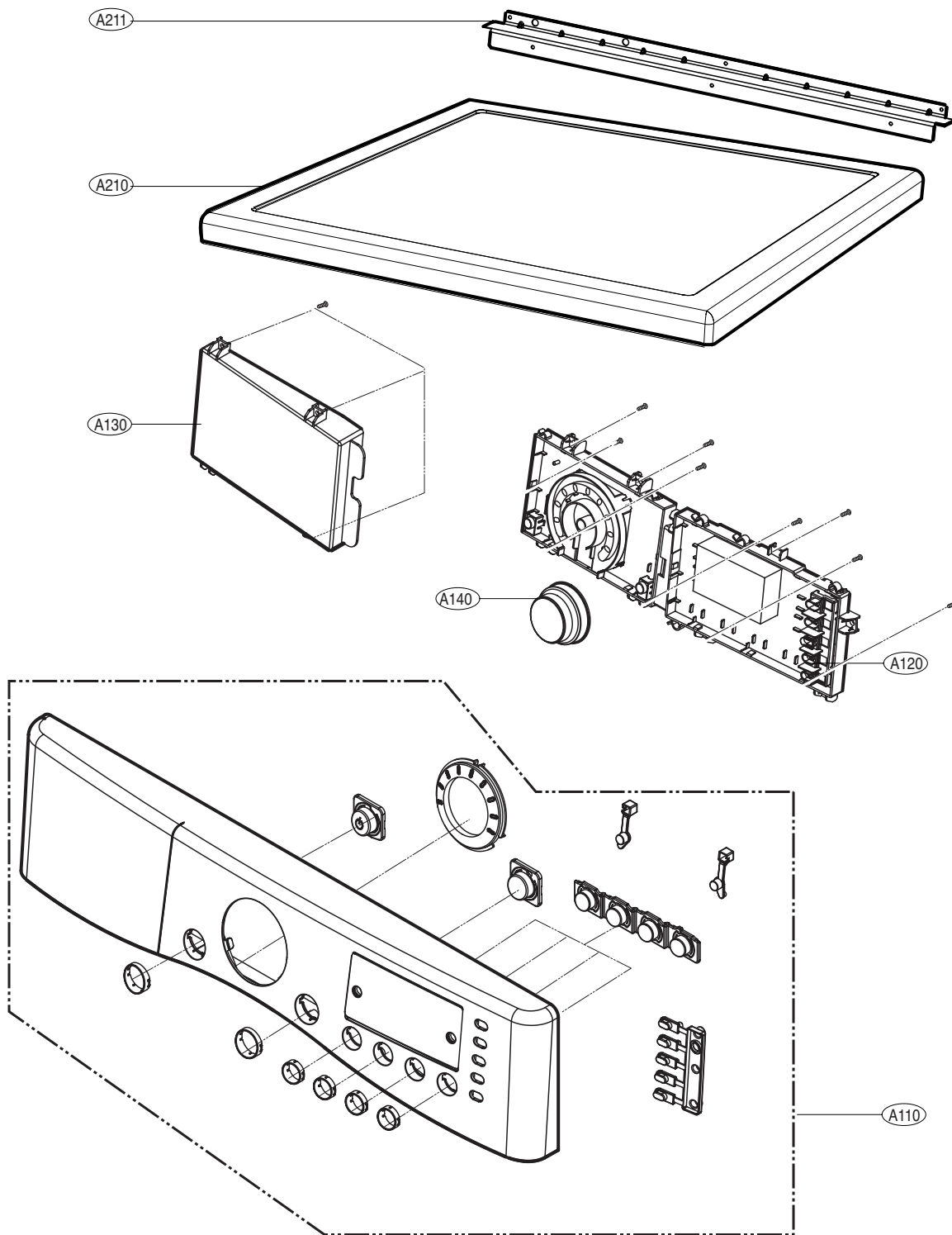
1. Disassemble the top plate.
2. Remove the Cover Cabinet and Tub Drum [Front].
3. Remove the Drum assembly and Tub Drum [Rear].
4. Disconnect the Air duct from the Tub Drum [Front].
5. Remove the roller from the Tub Drum [Front] and Tub Drum [Rear].



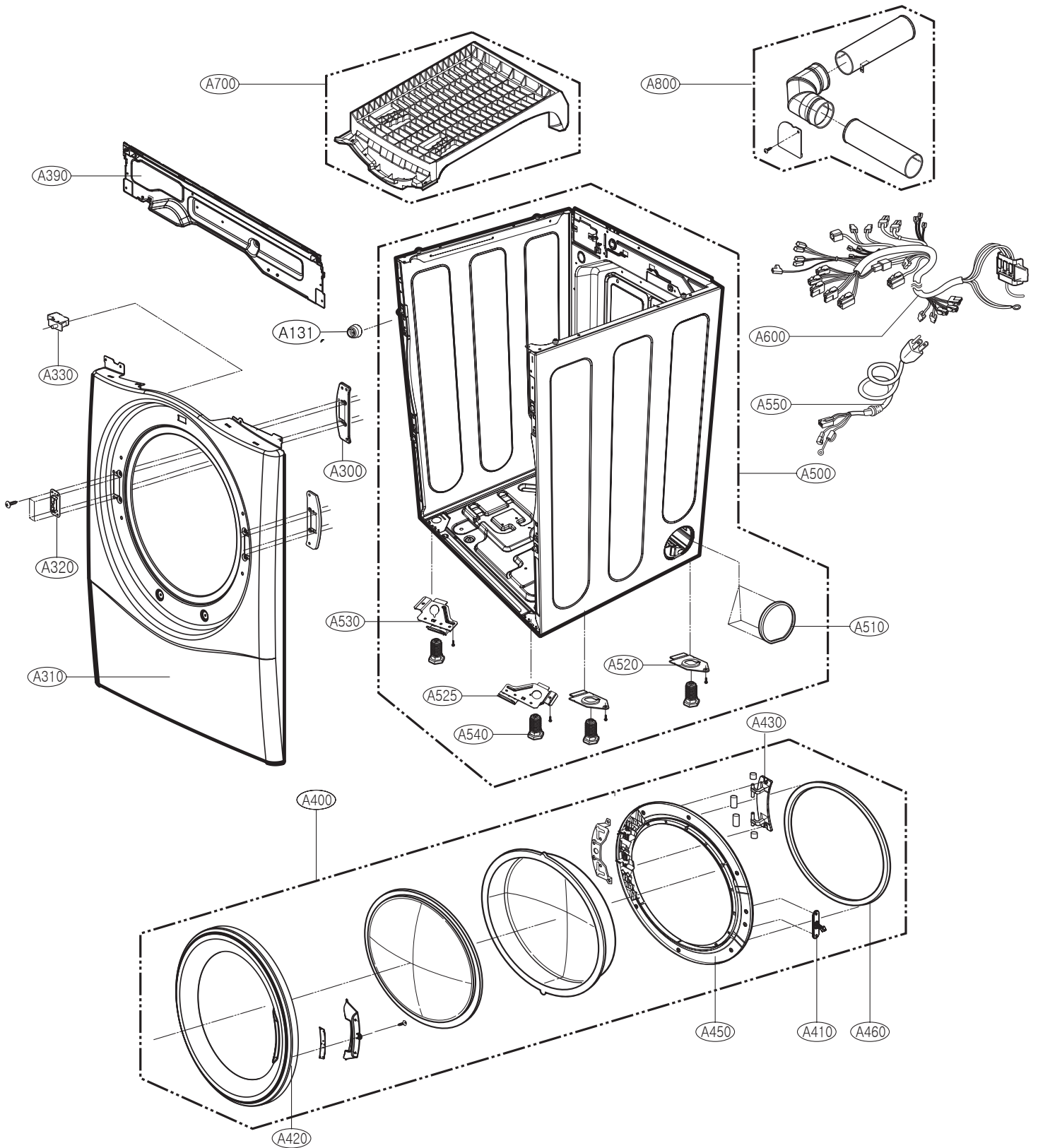
# 12

# EXPLODED VIEW

## 12-1. Control Panel & Plate Assembly



## 12-2. Cabinet & Door Assembly



# 12-3-1. Drum & Motor Assembly: Electric Type

