

**READ BEFORE USE**  
**LIRE AVANT UTILISER**  
**LEA ANTES DE USAR**

Visit [hamiltonbeach.com](http://hamiltonbeach.com) for  
delicious recipes and to register  
your product online!



Consulter [hamiltonbeach.ca](http://hamiltonbeach.ca) pour les  
recettes délicieuses et pour enregistrer  
votre produit!

Visite [hamiltonbeach.com](http://hamiltonbeach.com) para recetas  
deliciosas y para registrar su producto  
en línea.

**Questions?**

**Please call us – our friendly  
associates are ready to help.**

**USA: 1.800.851.8900**

**CAN: 1.800.267.2826**

**MEX: 01 800 71 16 100**

*Le invitamos a leer cuidadosamente  
este instructivo antes de usar su  
aparato.*



**Hamilton  
Beach®**

*Opening Station*

*Ouvre-Pot*

*Estación de apertura*

English ..... 2

Français ..... 8

Español ..... 14

## IMPORTANT SAFEGUARDS

When using electrical appliances, basic safety precautions should always be followed to reduce the risk of fire, electric shock, and/or injury to persons, including the following:

1. Read all instructions.
2. To protect against risk of electrical shock, do not put can opener body, cord, or plug in water or other liquid.
3. Close supervision is necessary when any appliance is used by or near children.
4. Unplug from outlet when not in use, before putting on or taking off parts, and before cleaning.
5. Avoid contacting moving parts.
6. Do not operate any appliance with a damaged cord or plug, or after the appliance malfunctions or is dropped or damaged in any manner. Call our toll-free customer service number for information on examination, repair, or electrical or mechanical adjustment.
7. The use of attachments not recommended or sold by the appliance manufacturer may cause fire, electric shock, or injury.
8. Do not use outdoors.
9. Do not let cord hang over edge of table or counter, or touch hot surfaces including the stove.
10. Do not open pressurized (aerosol-type) cans.
11. Do not open cans of flammable liquids such as lighter fluid.

## SAVE THESE INSTRUCTIONS!

### OTHER CONSUMER SAFETY INFORMATION

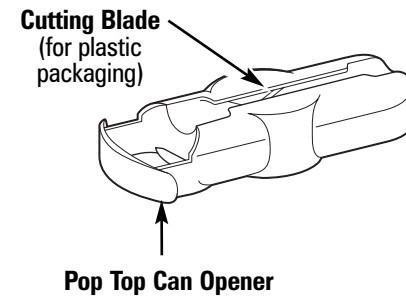
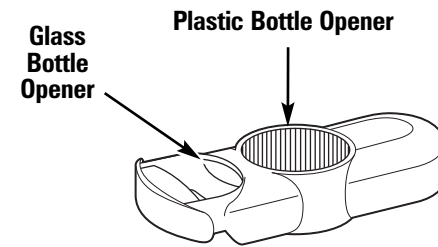
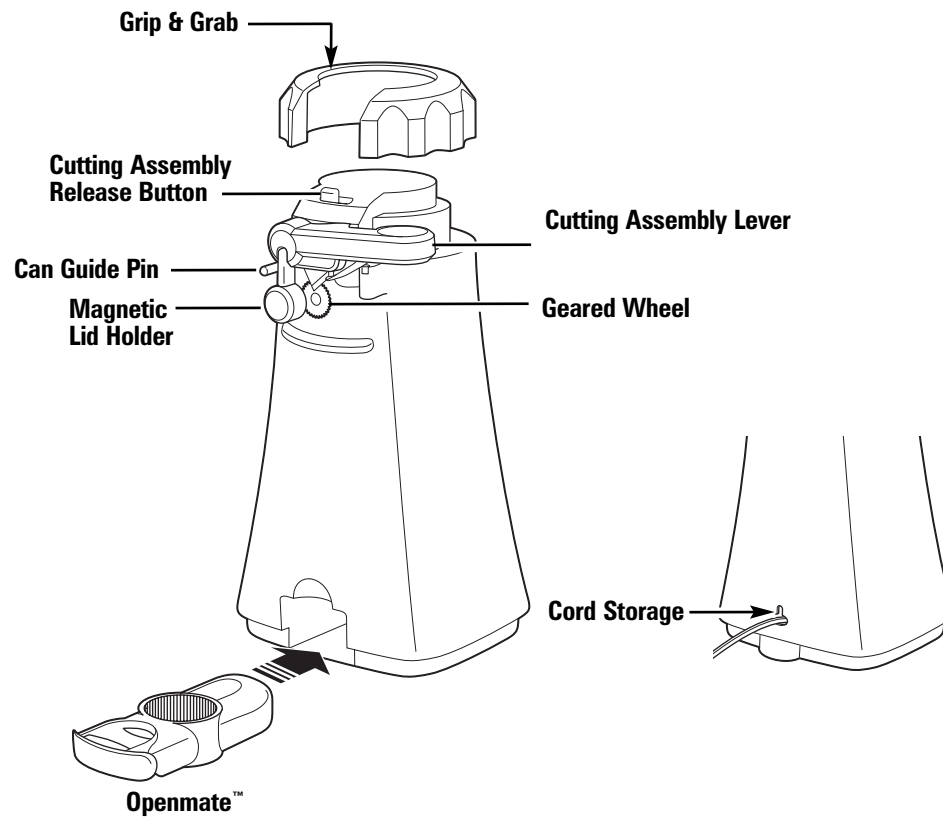
**This appliance is intended for household use only.**

**WARNING!** Shock Hazard: This appliance has a polarized plug (one wide blade) that reduces the risk of electric shock. The plug fits only one way into a polarized outlet. Do not defeat the safety purpose of the plug by modifying the plug in any way or using an adaptor. If the plug does not fit, reverse the plug. If it still does not fit, have an electrician replace the outlet.

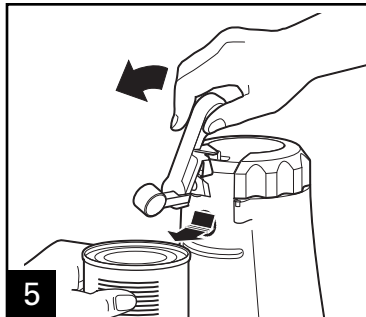
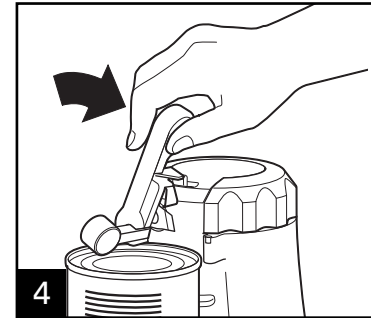
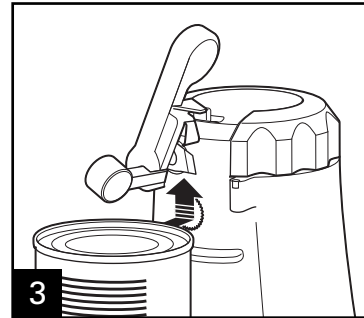
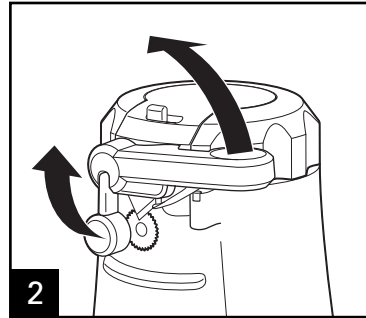
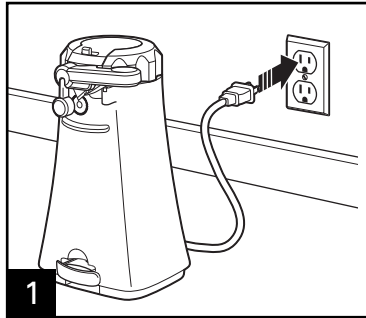
The length of the cord used on this appliance was selected to reduce the hazards of becoming tangled in, or tripping over, a longer cord. If a longer cord is necessary, an approved extension cord may be used. The electrical rating of the extension cord must be equal to or greater than the rating of the appliance. Care must be taken to arrange the extension cord so that it will not drape over the countertop or tabletop where it can be pulled on by children or accidentally tripped over.

**WARNING!** To reduce the risk of personal injury, keep hair and loose clothing away from lid opener and other moving parts of the can opener while using.

# Parts and Features



## How to Use the Can Opener

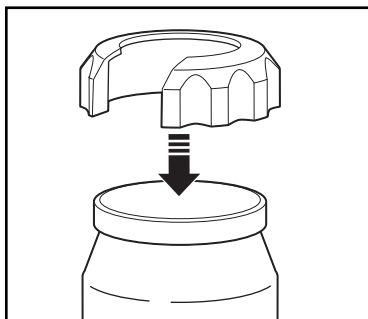


### NOTES:

- The motor will automatically stop when can is open.
- It is not necessary to hold lever down or hold can while can is being opened.
- If there is a bump, dent, or heavy seam in the rim of the can, open other end of can or start cutter just beyond it.
- The motor of the can opener is permanently lubricated and will require no oiling.

# How to Use Grip & Grab and Openmate™

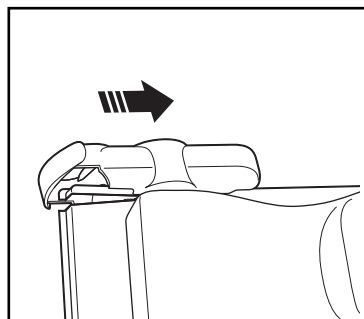
▲ CAUTION: Multipurpose opening tool contains a sharp blade. Use care when holding or handling opening tool.



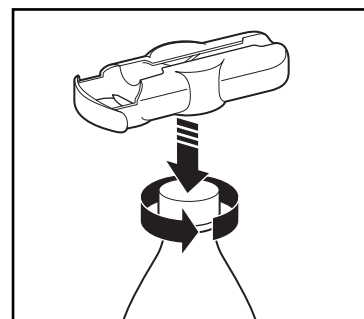
**Grip & Grab**  
(fits multiple jar sizes)



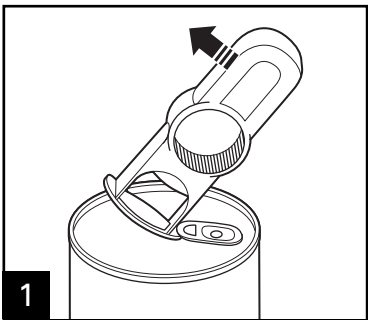
**Openmate™  
Glass Bottle Opener**



**Openmate™  
Cutting Blade**  
(for plastic packaging)

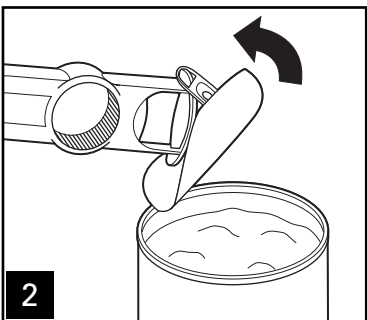


**Openmate™  
Plastic Bottle Opener**



1

**Openmate™  
Pop Top Can Opener**



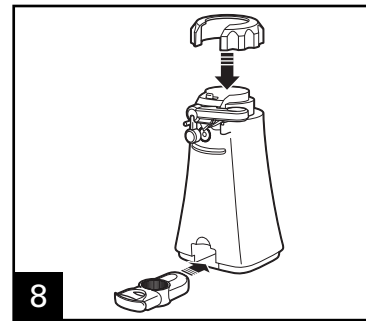
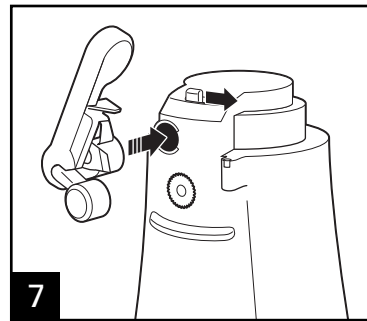
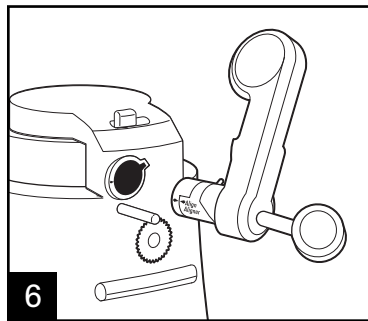
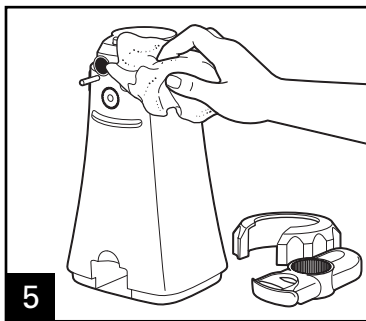
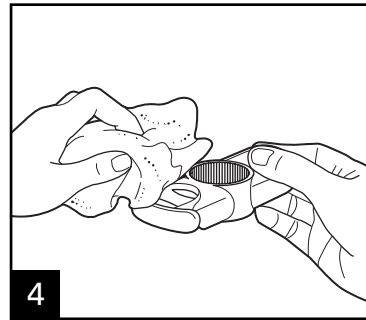
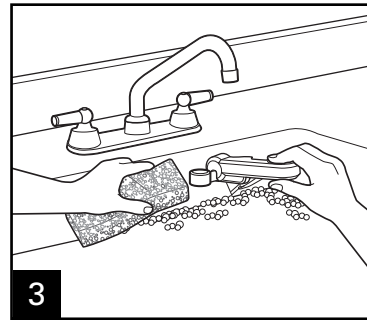
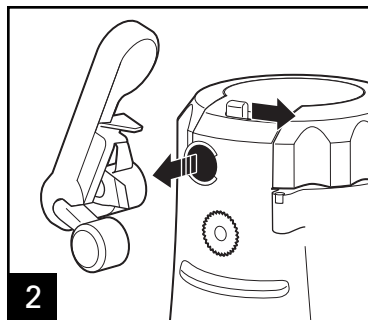
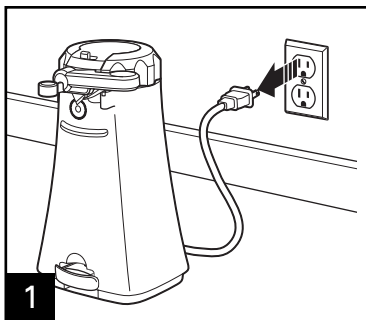
2

# Cleaning and Care

**⚠ WARNING**

**Electrical Shock Hazard.**

Do not immerse the can opener body or cord in water or other liquid.



**NOTICE:** To avoid damaging your can opener, do not use abrasive cleaners or scouring pads.

## *Limited Warranty*

**This warranty applies to products purchased in the U.S. or Canada.**

This product is warranted to be free from defects in material and workmanship for a period of one (1) year from the date of original purchase, except as noted below. During this period, we will repair or replace this product at our option. THE FOREGOING WARRANTY IS IN LIEU OF ANY OTHER WARRANTY OR CONDITION, WHETHER EXPRESS OR IMPLIED, WRITTEN OR ORAL INCLUDING, WITHOUT LIMITATION, ANY STATUTORY WARRANTY OR CONDITION OF MERCHANTABILITY OR FITNESS FOR A PARTICULAR PURPOSE. ANY LIABILITY IS EXPRESSLY LIMITED TO AN AMOUNT EQUAL TO THE PURCHASE PRICE PAID, AND ALL CLAIMS FOR SPECIAL, INCIDENTAL AND CONSEQUENTIAL DAMAGES ARE HEREBY EXCLUDED. There is no warranty with respect to the following, which may be supplied with this product, including without limitation: glass parts, glass containers, cutter/strainers, blades, seals, gaskets, clutches, motor brushes, and/or agitators, etc. This warranty extends only to the original consumer purchaser and does not cover a defect resulting from abuse, misuse, neglect including failure to clean product regularly in accordance with manufacturer's instructions, use for commercial purposes, or any use not in conformity with the printed directions. This warranty gives you specific legal rights, and you may also have other legal rights which vary from state to state, or province to province. Some states or provinces do not allow limitations on implied warranties or special, incidental or consequential damages, so the foregoing limitations may not apply to you.

If you have a claim under this warranty, **DO NOT RETURN THE APPLIANCE TO THE STORE!** Please call our **CUSTOMER SERVICE NUMBER**. (For faster service please have model, series, and type numbers ready for operator to assist you.)

### **CUSTOMER SERVICE NUMBERS**

In the U.S. 1.800.851.8900

In Canada 1.800.267.2826

In Mexico 01.800.71.16.100

**hamiltonbeach.com**

**KEEP THESE NUMBERS FOR FUTURE REFERENCE!**