

READ BEFORE USE
LIRE AVANT UTILISATION
LEA ANTES DE USAR

Visit hamiltonbeach.com for delicious recipes, tips, and to register your product online!



Consultez hamiltonbeach.ca pour de délicieuses recettes, des conseils pratiques et pour enregistrer votre produit !

¡Visite hamiltonbeach.com.mx para recetas deliciosas, consejos, y para registrar su producto en línea!

Questions?

Please call us – our friendly associates are ready to help.
USA: 1.800.851.8900

Questions?

N'hésitez pas à nous appeler – nos associés s'empresseront de vous aider.
CAN: 1.800.267.2826

¿Preguntas?

Por favor llámenos – nuestros amables representantes están listos para ayudar.

MEX: 01 800 71 16 100

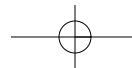
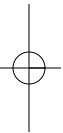
Le invitamos a leer cuidadosamente este instructivo antes de usar su aparato.



**Hamilton
Beach®**

*Stay or Go™
Thermal Coffeemaker
Cafetière à carafe thermique
Cafetera de jarra térmica*

English	2
Français	12
Español	23



IMPORTANT SAFEGUARDS

When using electrical appliances, basic safety precautions should always be followed to reduce the risk of fire, electric shock, and/or injury to persons, including the following:

1. Read all instructions.
2. Do not touch hot surfaces. Use handles or knobs. Care must be taken, as burns can occur from touching hot parts or from spilled, hot liquid.
3. To protect against electric shock, do not place cord, plug or coffeemaker in water or other liquid.
4. Close supervision is necessary when any appliance is used by or near children.
5. Unplug from outlet by firmly grasping the plug when either the coffeemaker or clock is not in use and before cleaning. Allow to cool before putting on or taking off parts and before cleaning the appliance.
6. Coffeemaker must be operated on a flat surface away from the edge of counter to prevent accidental tipping.
7. Do not operate any appliance with a damaged cord or plug, or after the appliance malfunctions or is dropped or damaged in any manner. Call our toll-free customer service number for information on examination, repair, or adjustment.
8. The use of accessory attachments not recommended by the appliance manufacturer may cause injuries.
9. Do not use outdoors.
10. Do not let cord hang over edge of table or counter or touch hot surfaces, including stove.
11. The carafe is designed for use with this coffeemaker. It must never be used on a range top or in a microwave or conventional oven.
12. Do not use carafe with loose or weakened handle.
13. To avoid accidents, do not pour in direction of people.
14. Be certain carafe lid is securely in place during brew cycle and when pouring coffee. Do not use force when placing lid on carafe.
15. To disconnect coffeemaker, turn controls to OFF, then remove plug from wall outlet.
16. Do not place coffeemaker on or near a hot gas or electric burner or in a heated oven.
17. **WARNING:** To reduce the risk of fire or electric shock, do not remove the bottom cover. No user serviceable parts are inside. Repair should be done by authorized service personnel only.
18. Do not use appliance for other than intended use.

SAVE THESE INSTRUCTIONS!

OTHER CONSUMER SAFETY INFORMATION

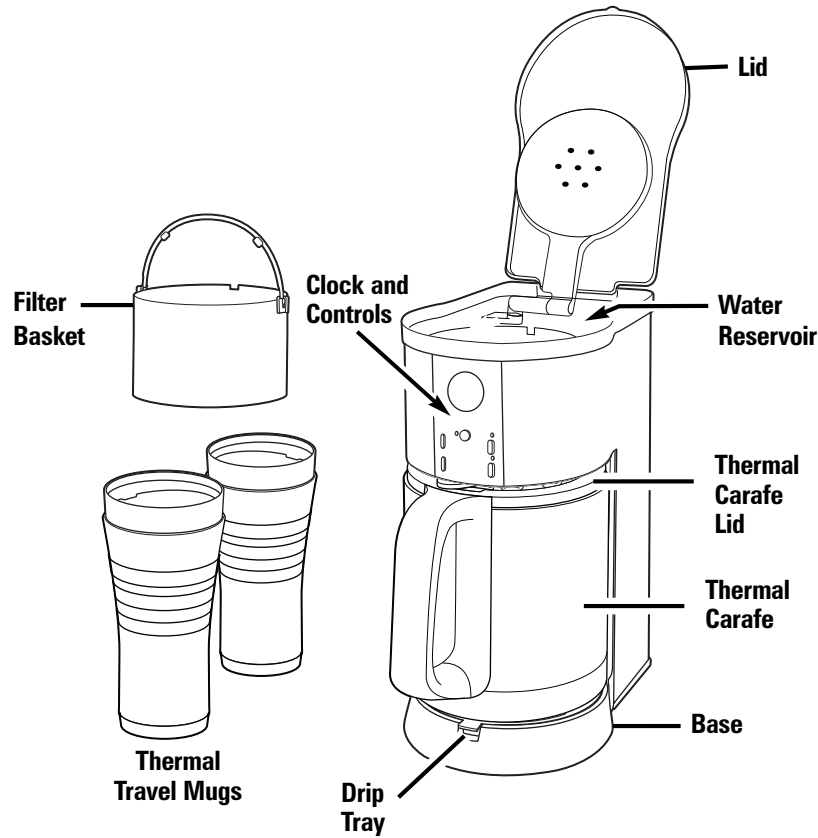
This appliance is intended for household use only.

WARNING! Shock Hazard: This appliance has a polarized plug (one wide blade) that reduces the risk of electric shock. The plug fits only one way into a polarized outlet. Do not defeat the safety purpose of the plug by modifying the plug in any way or using an adaptor. If the plug does not fit, reverse the plug. If it still does not fit, have an electrician replace the outlet.

The length of the cord used on this appliance was selected to reduce the hazards of becoming tangled in or tripping over a longer cord. If a longer cord is necessary an approved extension cord may be used. The electrical rating of the extension cord must be equal to or greater than the rating of the appliance. Care must be taken to arrange the extension cord so that it will not drape over the countertop or tabletop where it can be pulled on by children or accidentally tripped over.

To avoid an electrical circuit overload, do not use another high-wattage appliance on the same circuit with this appliance.

Parts and Features



Optional Accessories



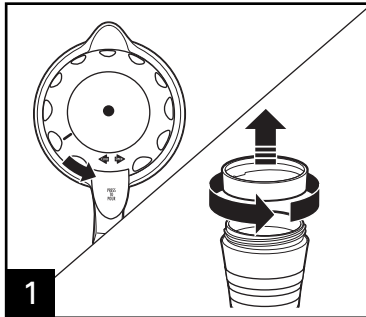
To Order Call:
1-800-851-8900 (U.S.) • 1-800-267-2826 (Canada)
01-800-71-16-100 (Mexico)
or visit hamiltonbeach.com

How to Make Coffee

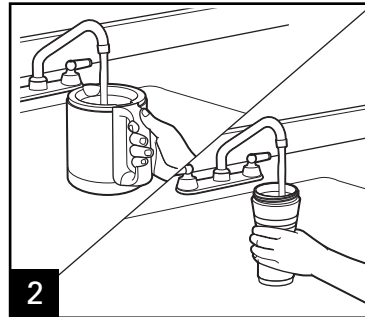
Coffee Usage Chart:

- 1 scoop* or level tablespoon ground coffee per cup
- 3 scoops* or level tablespoons ground coffee per travel mug

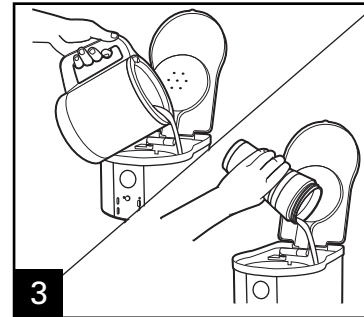
*Coffee scoop is optional feature on select models.



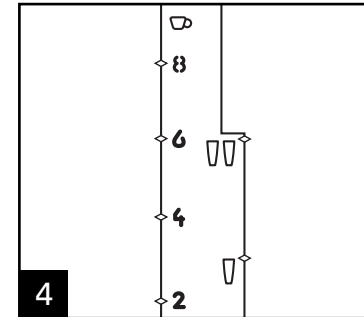
1 Remove thermal carafe lid or lid of thermal travel mug.





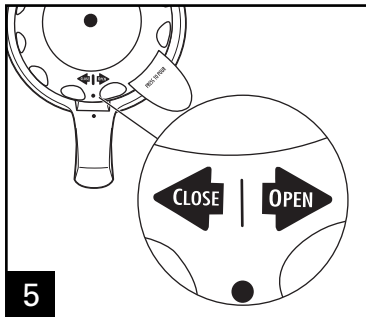
2



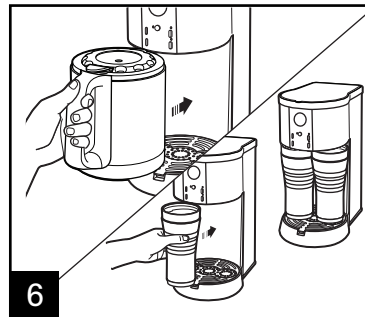
3



4 **WARNING:** Do not fill beyond  for brewing one mug or  for brewing two mugs. Hot overflowing coffee is a burn hazard.

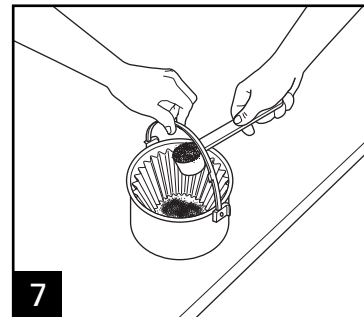


5 Align with open lock and twist to lock in place.



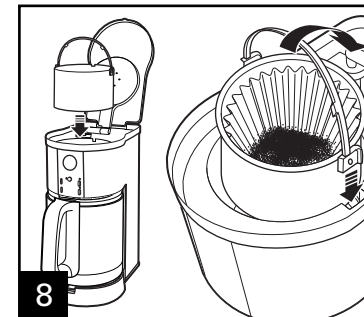
6

For Hotter Coffee: Before brewing, fill carafe or thermal travel mug with hot tap water and let stand 1 minute then replace.



7

Paper filter or optional permanent filter may be used.

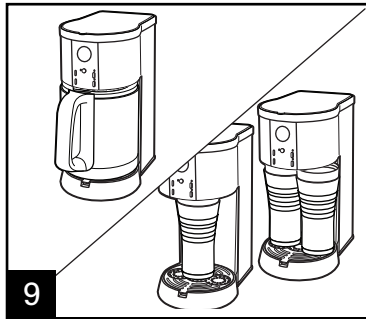


8

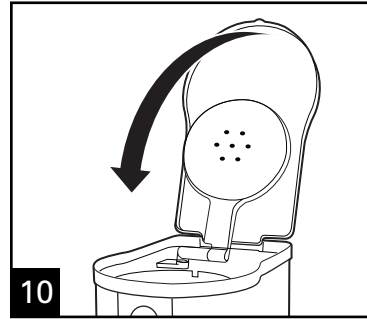
Lock filter basket into place. **IMPORTANT:** Lid will not close all the way if filter basket handle is not locked securely into place. **5**

How to Make Coffee (cont.)

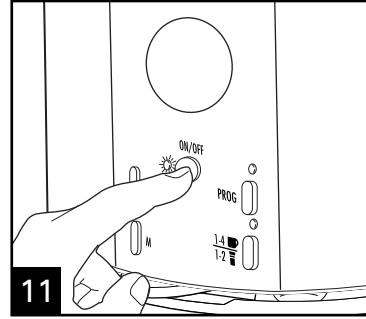
WARNING: Do not remove carafe or thermal travel mugs until light goes out. If coffeemaker overflows, allow the unit, coffee, and grounds to cool before cleaning the unit, coffee, or grounds.



9



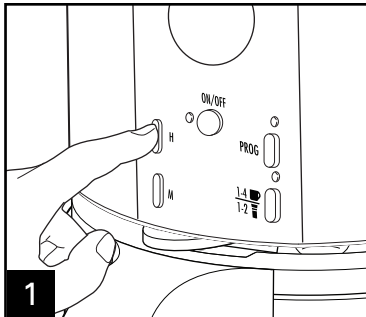
10



11

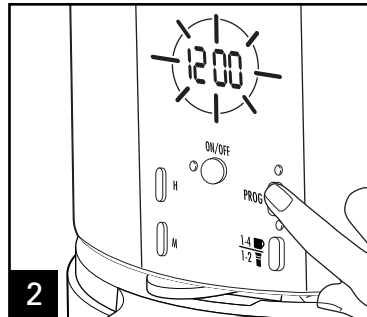
Press $\frac{1.4}{1.2}$ to brew coffee in thermal travel mugs or for stronger coffee flavor. Coffeemaker will shut off immediately after brewing.

Programming



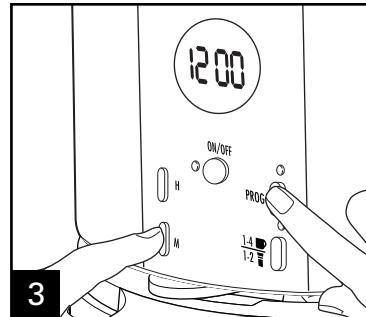
1

Press **H** and then **M** to set clock.



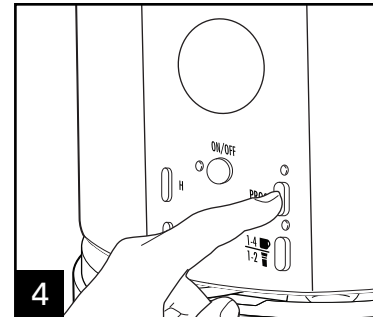
2

Hold **PROG** until clock flashes.



3

Continue holding **PROG** button, press **H** and **M** until the desired brewing start time is reached.



4

Press **PROG** momentarily to activate automatic brewing.

6

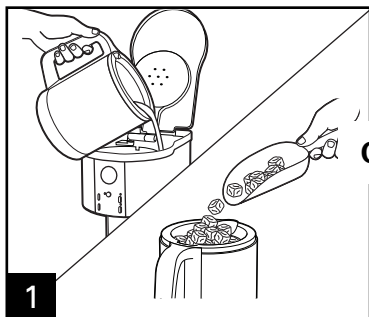
How to Make Iced Coffee

Coffee Usage Chart:

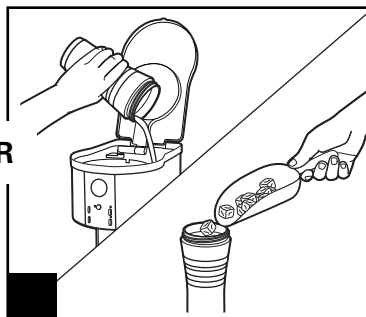
1 mug = 1/2 mug ice, 1 1/2 cups water, 3 scoops* or level tablespoons ground coffee

2 mugs = 1/2 mug (each) ice, 3 c. water, 6 scoops* or level tablespoons ground coffee

*Coffee scoop is optional feature on select models.

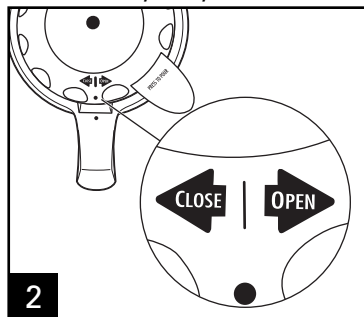


Fill water reservoir to a maximum of 5 cups and thermal carafe with ice to just below inside rim.

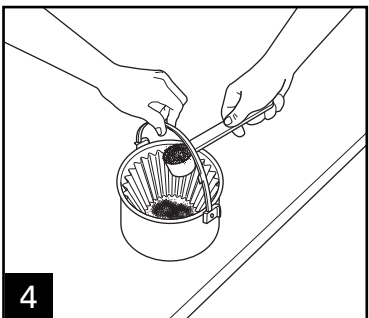
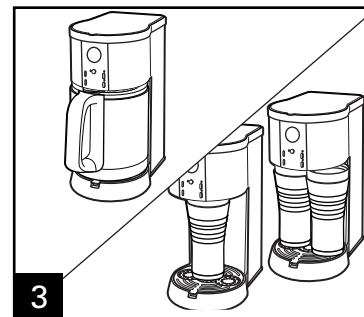


OR

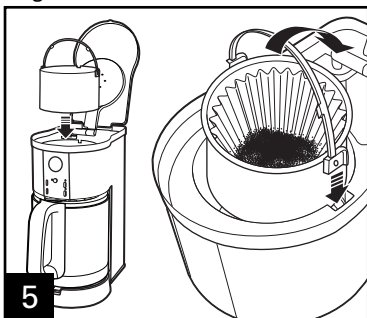
WARNING: Do not fill beyond ∇ for brewing one mug or $\nabla\nabla$ for brewing two mugs. Hot overflowing coffee is a burn hazard.



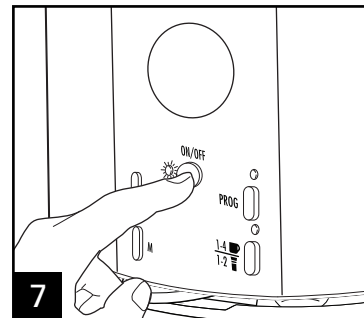
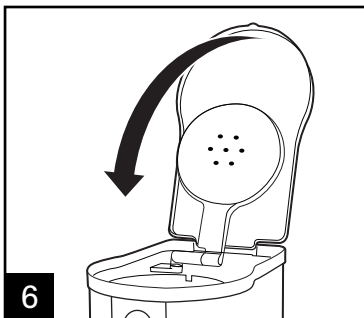
Align with open lock and twist to lock in place.



Brew double strength coffee for iced coffee. For a full pot, use 10 scoops.



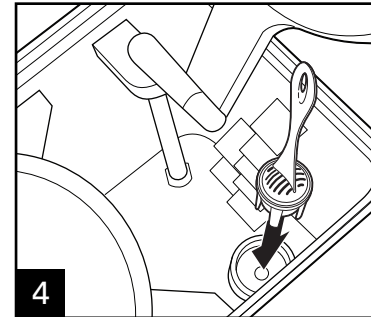
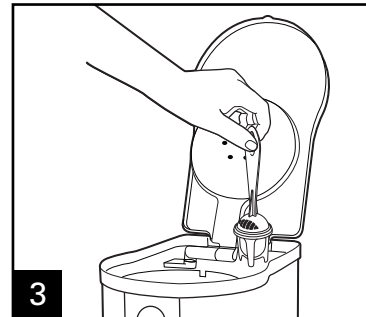
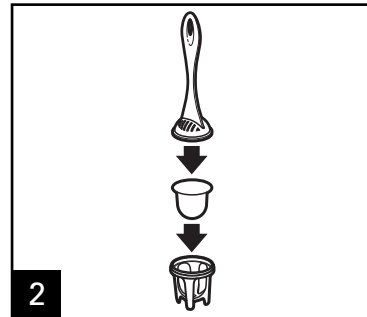
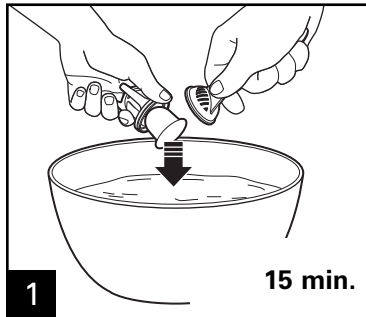
Lock filter basket into place. **IMPORTANT:** Lid will not close all the way if filter basket handle is not locked securely into place.



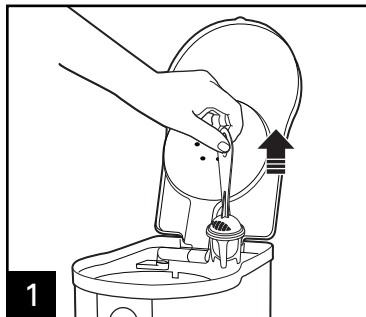
IMPORTANT: Do not remove carafe or thermal travel mugs until light goes out. Coffeemaker will shut off immediately after brewing. **7**

Water Filter (Optional Accessory)

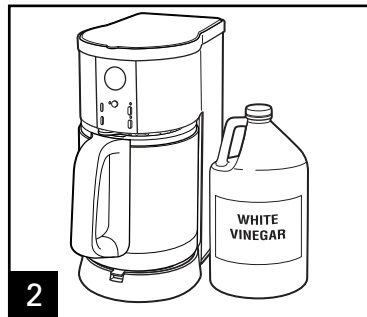
The water filter can help achieve a better tasting cup of coffee by removing chlorine and impurities from tap water. It is recommended that this filter be replaced every 60 brew cycles.



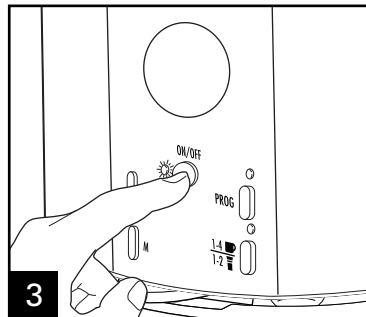
Cleaning with Vinegar



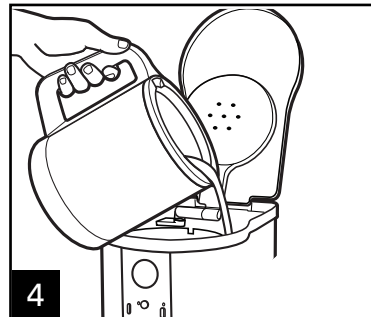
Remove optional water filter.



Pour 1 pint (2 cups/500 ml) vinegar into water reservoir.



Press ON (Ⓚ). Turn OFF (Ⓚ) after 20 seconds and wait 30 minutes. Press ON (Ⓚ). The unit will automatically turn off when brew cycle is completed. When cool, empty reservoir and rinse.



Run 2-3 more brew cycles with CLEAN WATER only. Allow to cool between cycles.

Troubleshooting

PROBLEM

PROBABLE CAUSE

Filter basket overflows or coffee brews slowly.

- Excessive amounts of coffee.
- Coffee ground too finely. Set coffee grinder to automatic drip grind.
- Coffeemaker needs cleaning.

If using a paper filter:

- Coffee grounds between paper filter and filter basket.
- Paper filter not open and in proper position.
- Rinse filter basket before inserting paper filter so the edges will remain pressed against the sides of the basket.
- Poor quality paper filter.

Coffee leaks onto base.

- Thermal travel mugs not properly seated in position indicators on base. Refer to *How to Make Coffee* for correct position of thermal travel mugs during brewing.

Coffee tastes bad.

- Coffeemaker needs cleaning.
- Coffee ground too coarsely or too finely. Set coffee grinder to automatic drip grind.
- Coffee-to-water ratio unbalanced. Adjust for personal preference.
- Poor coffee quality and freshness.
- Poor water quality (use filtered or bottled water).

Coffee sediment in cup.

- Use a high-quality, basket-style paper filter instead of optional permanent coffee filter.

Troubleshooting

PROBLEM

Coffee not brewing or unit will not turn on.

Longer than normal brew time.

PROBABLE CAUSE

- Water reservoir is empty.
 - Unit is unplugged.
 - Power outage.
 - Power surge. Unplug then plug the unit back in.
 - Clock requires reset after power outage.
-
- Mineral deposits can build up in the pump of your coffeemaker. Periodic cleaning of the inside of the unit is recommended. More frequent cleaning may be necessary, depending on the hardness of your water. See *Cleaning with Vinegar* section.
NOTE: Do not disassemble the unit.
 - 1-4 CUP mode was selected for a full pot.

Limited Warranty

This warranty applies to products purchased in the U.S. and Canada. This is the only express warranty for this product and is in lieu of any other warranty or condition.

This product is warranted to be free from defects in material and workmanship for a period of one (1) year from the date of original purchase. During this period, your exclusive remedy is repair or replacement of this product or any component found to be defective, at our option; however, you are responsible for all costs associated with returning the product to us and our returning a product or component under this warranty to you. If the product or component is no longer available, we will replace with a similar one of equal or greater value.

This warranty does not cover glass, filters, wear from normal use, use not in conformity with the printed directions, or damage to the product resulting from accident, alteration, abuse or misuse. This warranty extends only to the original consumer purchaser or gift recipient. Keep the original sales receipt, as proof of purchase is required to make a warranty claim. This warranty is void if the product is used for other than single-family household use.

We exclude all claims for special, incidental and consequential damages caused by breach of express or implied warranty. All liability is limited to the amount of the purchase price. **Every implied warranty, including any statutory warranty or condition of merchantability or fitness for a particular purpose, is disclaimed except to the extent prohibited by law, in which case such warranty or condition is limited to the duration of this written warranty.** This warranty gives you specific legal rights. You may have other legal rights that vary depending on where you live. Some states or provinces do not allow limitations on implied warranties or special, incidental or consequential damages, so the foregoing limitations may not apply to you.

To make a warranty claim, do not return this appliance to the store. Please call 1.800.851.8900 in the U.S. or 1.800.267.2826 in Canada or visit hamiltonbeach.com in the U.S. or hamiltonbeach.ca in Canada. For faster service, locate the model, type, and series numbers on your appliance.