

This Owner's Manual is provided and hosted by [Appliance Factory Parts](#).



HAMILTON BEACH 40111 Owner's Manual

[Shop genuine replacement parts for HAMILTON
BEACH 40111](#)



[Find Your HAMILTON BEACH Small Appliance Parts - Select From 252 Models](#)

----- Manual continues below -----



RECIPES AND USER GUIDE

PROGRAMMABLE
COFFEEMAKER

PAGE 2

RECETTES ET GUIDE DE L'UTILISATEUR

CAFETIÈRE
PROGRAMMABLE

À LA PAGE 17

GUÍA DE USO

CAFETERA
PROGRAMABLE

PÁGINA 33



READ BEFORE USE

USA: 1-800-851-8900
Canada: 1-800-267-2826

LIRE AVANT L'UTILISATION

Canada : 1-800-267-2826

LEA ANTES DE USAR

México : 01-800-71-16-100
Le invitamos a leer cuidadosamente este
instructivo antes de usar su aparato.

Dear Coffeemaker Owner,

Congratulations on your purchase. The Hamilton Beach® Eclectrics™ Collection adds a modern twist to those dependable, all-metal appliances you remember from yesteryear.

Owning a Hamilton Beach® is like owning a piece of history. In 1904, Louis Hamilton and Chester Beach teamed up to bring motorized appliances like vacuums, sewing machines, and mixers into American households. In honor of their 100-year legacy, we've combined the "built to last" metal construction of the past with the styling of today to bring lasting quality and style to your kitchen.

As you use your all-metal appliance, think about the history that came before it. Enjoy the confidence you have in a product backed by years of experience and a 3-year warranty. But most of all, fill your home with the delicious aroma of homemade recipes that your appliance helps you create!

I hope you enjoy your Hamilton Beach® Eclectrics™ appliance for many years to come.

Sincerely,



*Michael J. Morecroft
President and Chief Executive Officer
Hamilton Beach/Proctor-Silex, Inc.*

Table of Contents

| | | | |
|--|---|--|-------|
| Warranty Information | 3 | Cleaning | 10 |
| Important Safeguards | 4 | Carafe Safety Precautions | 11 |
| Assistance and Service Information | 5 | Troubleshooting | 12 |
| Parts and Features | 6 | Recipes | 13-16 |
| How to Make Coffee | 7 | <i>Alcoholic Frozen Drinks</i> | 13 |
| Additional Features | 8 | <i>Coffee Drinks & Shakes</i> | 13 |
| Water Filtration | 8 | <i>Breakfast, Breads, and Desserts</i> | 14 |
| Tips to Brew Good Coffee | 9 | | |

Warranty Information

Standard Three Year Warranty

Congratulations! You now own one of the finest coffeemakers. We're so confident in the quality and craftsmanship of your new coffeemaker that we're backing your purchase with a No-Hassle 3-Year Replacement Warranty. If your coffeemaker malfunctions within 3 years of purchase, we will deliver a brand new replacement coffeemaker to your door and remove the old unit at no cost to you. Here's how it works:

| Warranty Term | To fulfill the warranty: | Hamilton Beach® will | Hamilton Beach® will not pay for |
|---|--|--|---|
| <p>Three years from date of original purchase for coffeemakers operated in the continental United States, Alaska, Hawaii, and Canada.</p> <p>This warranty applies only to the original consumer purchaser.</p> | <p>1. Follow the instructions in this Manual. Refer to Tips to Brew Good Coffee section if you have any problems operating the unit. If you have any questions, call one of the Customer Service numbers on page 5.</p> <p>2. Keep your proof of purchase. If the unit malfunctions within 3 years of purchase, call one of the Customer Service numbers on page 5.</p> | <p>1. Send a pre-paid shipping label so you can send us the unit.</p> <p>2. Ship a brand new replacement unit to your address.</p> | <p>Product failures arising from abuse, misuse, neglect, use for commercial purposes, or use contrary to this Manual.</p> <p>THIS WARRANTY IS IN LIEU OF ANY OTHER WARRANTY OR CONDITION, EXPRESS OR IMPLIED, WRITTEN OR ORAL, INCLUDING ANY WARRANTY, STATUTORY WARRANTY OR CONDITION OF MERCHANTABILITY OR FITNESS FOR A PARTICULAR PURPOSE. ANY LIABILITY IS EXPRESSLY LIMITED TO THE PURCHASE PRICE PAID. ALL CLAIMS FOR SPECIAL, INCIDENTAL OR CONSEQUENTIAL DAMAGES ARE EXPRESSLY EXCLUDED.</p> |

IMPORTANT SAFEGUARDS

When using electrical appliances, basic safety precautions should always be followed to reduce the risk of fire, electric shock, and/or injury to persons, including the following:

1. Read all instructions.
2. Do not touch hot surfaces. Use handles or knobs. Care must be taken, as burns can occur from touching hot parts or from spilled, hot liquid.
3. To protect against electric shock, do not place cord, plug or coffeemaker in water or other liquid.
4. Close supervision is necessary when any appliance is used by or near children.
5. Unplug from outlet when either the coffeemaker or clock is not in use and before cleaning. Allow to cool before putting on or taking off parts and before cleaning the appliance.
6. Coffeemaker must be operated on a flat surface away from the edge of counter to prevent accidental tipping.
7. Do not operate any appliance with a damaged cord or plug, or after the appliance malfunctions or is dropped or damaged in any manner. Call our toll-free customer service number for information on examination, repair, or adjustment.
8. The use of accessory attachments not recommended by Hamilton Beach/Proctor-Silex, Inc. may result in fire, electrical shock or personal injury.
9. Do not use outdoors.
10. Do not let cord hang over edge of table or counter or touch hot surfaces, including stove.
11. The carafe is designed for use with this coffeemaker. It must never be used on a range top or in a microwave oven.
12. Do not set a hot carafe on a wet or cold surface.
13. Do not use a cracked carafe or one with loose or weakened handle.
14. Do not clean carafe or hot plate with cleansers, steel wool pads, or other abrasive material.
15. Be certain carafe lid is securely in place during brew cycle and when pouring coffee. Do not use force when placing lid on carafe.
16. To disconnect coffeemaker, turn controls to OFF, then remove plug from wall outlet.
17. Do not place coffeemaker on or near a hot gas or electric burner or in a heated oven.
18. Warning: To reduce the risk of fire or electric shock, do not remove the bottom cover. No user serviceable parts are inside. Repair should be done by authorized service personnel only.
19. Do not use appliance for other than intended use.

SAVE THESE INSTRUCTIONS

Other Consumer Safety Information

This appliance is intended for household use only.

This appliance is equipped with a grounded-type 3-wire cord (3-prong plug). This type of plug will only fit into an electrical outlet made for a 3-prong plug. This is a safety feature intended to help reduce the risk of electrical shock. If the plug should fail to fit contact a qualified electrician to replace the obsolete outlet. Do not attempt to defeat the safety purpose of the grounding pin by modifying the plug in any way.

The length of the cord used on this appliance was selected to reduce the hazards of becoming tangled in, or tripping over a longer cord. If a longer cord is necessary an approved extension cord may be used. The electrical rating of the extension cord must be equal to or greater than the rating of the coffeemaker. Care must be taken to arrange the extension cord so that it will not drape over the countertop or tabletop where it can be pulled on by children or accidentally tripped over.

To avoid an electrical circuit overload, do not use another high wattage appliance on the same circuit with your coffeemaker.

Assistance and Service Information

Before Calling for Assistance

Please read before calling:

- The coffeemaker may warm up during use. After brewing several pots of coffee the base of the unit may feel warm to the touch. This is normal.
- The coffeemaker may emit an odor, especially when new. This is common with heated appliances.
- The coffeemaker may steam or make sounds at the end of brewing. This is common with automatic drip coffeemakers.

If your coffeemaker should malfunction or fail to operate, please check the following:

- Is the coffeemaker plugged in?
- Is the fuse in the circuit to the coffeemaker in working order? If you have a circuit breaker box, be sure the circuit breaker is closed.
- Unplug the coffeemaker off for 10 to 15 seconds, then plug the coffeemaker back in.
- If the problem is not due to one of the items mentioned above, see Customer Service Information section.
- DO NOT return the coffeemaker to the retailer (store) as they do not provide service.

Customer Service Information

If you have a question about your coffeemaker, call our toll-free customer service number. Before calling, please note the model, type, and series numbers and fill in that information below. These numbers can be found on the bottom of your coffeemaker. This information will help us answer your question much more quickly.

MODEL: _____ TYPE : _____ SERIES: _____

CUSTOMER SERVICE NUMBERS

In the U.S. 1-800-851-8900

In Canada 1-800-267-2826

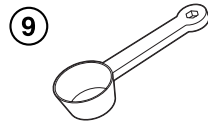
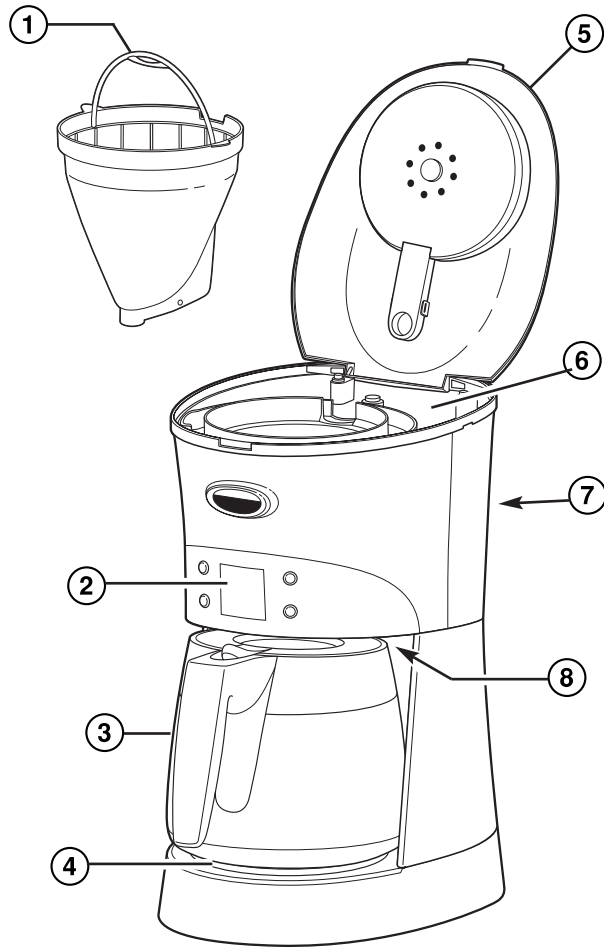
hamiltonbeach.com

hamiltonbeach.ca

KEEP THESE NUMBERS FOR FUTURE REFERENCE!

Parts and Features

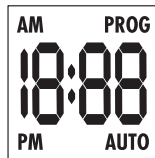
1. Filter Basket
 2. Clock and Controls
 3. Carafe
 4. Keep-Hot Plate
 5. Cover
 6. Water Reservoir
 7. Water Level Guide
 8. Pause 'N Serve
 9. Coffee Scoop*
- * optional



ON/OFF Button
with Red
Indicator Light



Hour Button



PROG-AUTO



Program Button
with Green
Indicator Light



Minute Button

How to Make Coffee

1. To ensure best possible taste, wash the carafe then clean the inside of unit. See "Cleaning Instructions."
2. Plug in Coffeemaker. The numbers on Clock will flash until time is set.
3. Press **H** to set current hour with AM or PM. Press **M** to set current minutes. The clock is now set.
4. Fill carafe with the desired amount of cold tap water. Flip open top cover and pour water into reservoir.
5. Return the carafe with carafe lid attached to the Keep-Hot Plate. Make sure that the carafe is firmly in place.
6. Place a disposable No. 4 cone-shaped paper filter in filter basket. A permanent filter may also be used.
7. For each cup of coffee being made, place one level scoop or tablespoon of medium-ground automatic drip coffee into filter. Lower top cover to close.
8. Press **ON/OFF** button once to brew coffee now and the light will glow red. To brew later, see "To Program Automatic Brew."

NOTE: To serve coffee during the brewing cycle, remove carafe and pour a cup. **By removing the carafe, the flow of coffee from the bottom of the filter basket will stop.**

CAUTION

Burn Hazard

Return Carafe to Keep-Hot Plate and ensure Auto Pause 'n Serve is engaged within 20 seconds. Hot water continues to flow into the Filter Basket when the Auto Pause 'n Serve feature is used. Overflowing coffee and hot water are a burn hazard.

9. The unit will shut off automatically after two hours. When finished, unplug from outlet.

To Program Automatic Brew

NOTES:

- The Automatic Brew feature must be programmed each time it is used.
 - Make sure you have placed the desired amount of water and coffee in the unit before using the Automatic Brew feature.
1. Plug in Coffeemaker. The numbers on the Clock will flash until the time is set.
 2. Press the **H** button until the current hour is displayed. AM or PM will appear on display. Press the **M** button until the current minute is displayed. The Clock is now set.
 3. To program Coffeemaker to automatically begin brewing, press and hold the **Prog/Auto** button for two seconds to enter the setting mode. While still pressing **Prog/Auto**, press the **H** button to set hours and then press the **M** button to set minutes until the desired brew time is displayed.
 4. To have Coffeemaker automatically begin brewing at the preset time, press **Prog/Auto** button momentarily. The **Prog/Auto** button will glow green to indicate Automatic Brew is set and coffeemaker is ready to begin brewing at the specified time. "Auto" will appear in the display.
 5. The Coffeemaker will shut off two hours after brewing begins.

Additional Features

Pause 'n Serve

This feature allows you to pour a cup of coffee before the entire brew cycle has completed. By removing the Carafe, the flow of coffee from the bottom of the Filter Basket will stop.

CAUTION: Return carafe to Keep-Hot Plate within 20 seconds. Hot water continues to flow into the Filter Basket when this feature is used. Overflowing coffee and hot water are a burn hazard.

Automatic Shutoff

The Automatic Shutoff feature shuts off the Keep-Hot Plate 2 hours after brew cycle begins. Always turn Coffeemaker OFF and unplug when finished.

Water Filtration

Removing unwanted chlorine and impurities through a water filtration process can help achieve a better-tasting cup of coffee.

For this reason, the reservoir on your Hamilton Beach Eclectrics coffeemaker was designed to accommodate special water filter pods by Hamilton Beach.

For details on how to order a Hamilton Beach water filter kit, please refer to the information below.

Improve Coffee Flavor with a Water Filter Kit

Each water filter kit (model 80674) includes two filters and one holder.

To order in the U.S.:

Call 1-800-455-7213

Order online at www.HBAccessories.com

To order in Canada:

Call 1-800-267-2826

Tips to Brew Good Coffee

Quality coffee comes from quality ingredients. For the best coffee, you should **start with freshly ground coffee** from freshly roasted beans. The beans can be purchased and stored in an airtight container. Just prior to brewing, remove the amount needed and grind the beans. Once the bean is broken, the intense, rich flavor begins to deteriorate.

If the beans are ground too finely, it will produce a bitter taste. If ground too coarsely the coffee will taste weak and watery.

Some **specialty coffees** recommend using more than one tablespoon of ground coffee per cup. Your new coffeemaker is designed to brew good quality coffee using less amounts of ground coffee. One level tablespoon of ground coffee per cup is recommended. Of course, the amount of ground coffee used depends upon your personal preference.

The **quality of your drinking water** will affect the flavor of your coffee. If you do not drink water straight from the tap, do not use it to make coffee. If your water has an off-taste or smell, or if you have extremely hard water, use bottled drinking water or filtered water to make coffee. If the water is from the tap, it should be freshly drawn and cold for the best coffee flavor.

The **amount of coffee** to water depends upon personal preference. One tablespoon of ground coffee per cup is recommended.

Automatic coffeemakers generally use a **5-ounce (150 ml) cup size**. The coffeemaker's Carafe and Reservoir are marked in "cups" for easy measuring.

Try different **flavored coffees** and flavored creamers available at supermarkets or specialty coffee stores. Regular coffee can be flavored at home. Add a sprinkle of cinnamon* or a drop of a pure extract-like almond, vanilla, or mint—to the ground coffee before brewing. For a mocha flavor, stir a spoon of chocolate syrup or instant cocoa mix to each cup of brewed coffee.

* (Too much cinnamon may clog the filter causing Filter Basket overflow.)

Cleaning

To maintain the performance of your coffeemaker, clean your coffeemaker once a month. Periodic cleaning removes mineral deposits that slow down brew time and results in bitter coffee taste.

To Clean Inside of Coffeemaker:

1. Remove water filter and water filter holder if present.
2. Make sure the filter basket is empty.
3. Place empty carafe on Keep-Hot Plate.
4. Pour one pint of plain white vinegar into the reservoir.
5. Plug unit into electrical outlet.
6. Press the **ON/OFF** button once and the indicator light will glow red. After 30 seconds, turn OFF.
7. Wait 30 minutes to allow the vinegar to clean. Then turn ON again. When the brew cycle is finished, wait for unit to cool.
8. Empty carafe and rinse. Pour one carafe of cold tap water into the reservoir. Place carafe on Keep-Hot Base.
9. Press **ON/OFF** button once. When the brew cycle is complete, empty the carafe. Allow the coffeemaker to cool, then repeat this step with one more carafe of cold tap water.
10. Wash carafe and filter basket before making a beverage.

To Clean Carafe and Filter Basket:

1. Wash carafe by hand in hot, soapy water.
2. To remove the filter basket, open filter lid and lift straight up by handle. Wash filter basket by hand in hot, soapy water. To maintain performance, clean the filter basket often.

To Clean Exterior of Coffeemaker:

Wipe the exterior with a soft cloth and warm, soapy water. Do not use abrasive cleaners as they will scratch the finish of the product.

Carafe Safety Precautions



This symbol alerts you to the potential danger for personal injury if you fail to read and follow these safety precautions.



This symbol reminds you that glass is fragile and can break which could result in personal injury.

- Do not place carafe in dishwasher.
- Do not use a cracked carafe or a carafe having a loose or weakened handle.
- This carafe is designed to be used only on the Keep-Hot Plate of your coffeemaker. Do not use on a gas or electric rangetop, or in a microwave or conventional oven.
- To avoid breakage, handle carafe with care. Avoid impact. Glass will break as a result of impact. Use care when filling with water to avoid hitting faucet.
- Do not place hot carafe on cool or wet surface. Allow to cool before washing or adding liquids.
- Do not set empty carafe on a hot heating surface.
- Do not clean with steel wool pads, abrasive cleanser, or any other materials that may scratch.
- Do not place hands inside carafe. When handling, be careful if wearing any hand jewelry, especially diamond rings. Jewelry can scratch the glass, which increases possibility of breakage.
- Do not bump, scratch, or boil dry the carafe.
- Discard carafe if it is cracked, scratched, or heated while empty for an extended period of time.
- To avoid accidents, do not pour in the direction of people.
- If stirring in the carafe, use only wooden, plastic, or rubber utensils. Do not use metal utensils.
- Follow the above safety precautions carefully to avoid serious burn injuries which may result if breakage occurs while carafe holds heated liquids.

Troubleshooting

| POTENTIAL PROBLEM | PROBABLE CAUSE/SOLUTION |
|---|---|
| Filter basket overflows or coffee brews slowly. | <ul style="list-style-type: none"> • Excessive amounts of coffee. One level table-spoon of ground coffee per cup is recommended. • Coffee ground too finely (not automatic drip grind). • Carafe not securely placed on Keep-Hot Plate. • Carafe removed during brewing for more than 20 seconds and not placed securely back on Keep-Hot plate. • Coffeemaker needs cleaning. • Coffee grounds between paper filter and filter basket. • Paper filter not open and in proper position. • Rinse filter basket before inserting paper filter so the edges will remain pressed against the sides of the basket. • Poor quality paper filter. |
| Coffee tastes bad. | <ul style="list-style-type: none"> • Coffeemaker needs cleaning. • Coffee ground other than automatic drip. • Coffee-to-water ratio unbalanced. Adjust for personal preference. • Poor coffee quality and freshness. • Poor water quality (use filtered or bottled water). |
| Coffee not brewing/ unit will not turn on. | <ul style="list-style-type: none"> • Water reservoir is empty. • Unit is unplugged. • Power outage. • Power surge. Unplug then plug the unit back in. • Clock requires reset after power outage. • The Auto Shutoff feature turns coffeemaker off after two hours. Turn coffeemaker off and back on to brew additional pots of coffee. See "How to Make Coffee" for additional information. |
| Longer than normal brew time. | <ul style="list-style-type: none"> • Mineral deposits can build up in the pump of your coffeemaker. Periodic cleaning of the inside of the unit is recommended. More frequent cleaning may be necessary, depending on the hardness of your water. See "Cleaning" for more information. <p>NOTE: Do not disassemble the unit.</p> |

Alcoholic Frozen Drinks

Creamy Coffee

6 cups (1.5 L) brewed coffee (chilled)
 ½ pint (500 ml) vanilla ice cream
 8 ounces (250 ml) Irish Crème liqueur

Place all ingredients in blender jar; cover. Blend on medium speed until desired consistency is reached. **Yield: 4 servings.**

Coffee Shake Supreme

| | |
|---------------------------------------|---|
| 4 scoops vanilla ice cream | 1 tablespoon (15 ml) Irish Crème liqueur (optional) |
| 1 cup (250 ml) strong coffee, chilled | Whipped cream (for garnish) |
| ½ banana, mashed | |
| 2 tablespoons (30 ml) powdered sugar | |

Place all ingredients into blender jar (except whipped cream); cover. Blend on high speed until desired consistency is reached. Garnish with whipped cream. **Yield: 1 servings.**

Coffee Drinks & Shakes

Cappuccino Cooler

| | |
|-----------------------------------|-----------------------------|
| 2 cups (500 ml) cold coffee | Ice |
| 2 cups (500 ml) vanilla ice cream | Whipped cream (for garnish) |
| ½ cup (125 ml) chocolate syrup | |

In blender jar, combine cold coffee, ice cream and chocolate syrup; cover. Blend until smooth. Pour over crushed ice. Top with whipped cream if desired. **Yield: 4 servings.**

Coffee & Cream

| | |
|-----------------------------------|---------------------------------------|
| 1 cup (250 ml) strong cold coffee | 6 ounces (170 g) nonfat coffee yogurt |
| 1 cup (250 ml) ice | 2 tablespoons (30 ml) sugar |

Place all ingredients into blender jar; cover. Pulse for 20 seconds or until smooth. **Yield: 2 servings.**

Iced Latte

| | |
|--------------------------------------|----------------------|
| 1 cup (250 ml) club soda | ¼ cup (60 ml) coffee |
| ½ cup (125 ml) vanilla syrup | 1 cup (250 ml) ice |
| 1 cup (250 ml) non-fat powdered milk | |

Place all ingredients into blender jar; cover. Blend on medium speed until smooth. **Yield: 2 servings.**

Breakfast, Breads and Desserts

Breakfast Casserole

| | |
|---|---|
| 1 pound (450 g) hot pork sausage | ½ cup (125 ml) milk |
| 10 eggs, lightly beaten | ½ teaspoon (2.5 ml) black pepper |
| 1 cup (250 ml) frozen, chopped green pepper | 1 teaspoon (5 ml) salt |
| 1 cup (250 ml) frozen, chopped onion | 4 cups (1 L) frozen potato tots |
| | 2 cups (500 ml) shredded Cheddar cheese |

Preheat oven to 325°F (160°C). In large skillet; cook sausage over medium-high heat, stirring frequently until thoroughly cooked and no longer pink. Drain on paper towel and allow to cool. In large mixing bowl, combine cooked sausage, eggs, green pepper, onion, milk, pepper and salt; stir well. Distribute frozen potato tots evenly in a greased 9 x 13 x 2-inch (23 x 33 x 5 cm) baking dish. Pour the egg mixture into the casserole. Top with cheese. Bake uncovered for 45 minutes, or until eggs are set. **Makes: 8 to 10 servings.**

Banana Bread

| | |
|----------------------------------|---|
| 2 cups (500 ml) flour | 2 eggs |
| ¾ teaspoon (3.75 ml) baking soda | 1½ cups (375 ml) mashed ripe banana (about 3 bananas) |
| ½ teaspoon (2.5 ml) salt | ⅓ cup (80 ml) plain low fat-fat yogurt |
| 1 cup (250 ml) sugar | 1 teaspoon (5 ml) vanilla extract |
| ¼ cup (60 ml) butter | |

Preheat oven 350°F (180°C). Lightly spoon flour into dry measuring cup; level with a knife. Combine flour, baking soda, and salt, stirring with a whisk. Place sugar and butter in a large bowl and beat with a mixer at medium speed until well blended. Add in eggs one at a time mixing well after each addition. Add banana, yogurt, and vanilla into mixture. Add flour mixture and beat just until mixed in. Spread evenly into an 8 x 4-inch (20 x 10 cm) greased loaf pan. Bake for 1 hour.

Coffeecake

| | |
|--------------------------------------|--|
| 1 cup (250 ml) butter, softened | Topping: |
| 1½ cups (375 ml) sugar | ½ cup (125 ml) brown sugar |
| 2 eggs | ¼ cup (60 ml) sugar |
| 1½ teaspoon (7.5 ml) vanilla extract | 2 teaspoon (10 ml) cinnamon |
| 2 cups (500 ml) cake flour | ½ cup (125 ml) pecan or walnuts, chopped |
| 1 teaspoon (5 ml) baking powder | |
| 1 teaspoon (5 ml) baking soda | |
| 1 cup (250 ml) sour cream | |

Preheat oven to 350°F (180°C). Butter a 9 x 13-inch (23 x 33 cm) baking pan. In a mixing bowl, cream butter and gradually add sugar, eggs, and vanilla extract, beating well after each addition. In another bowl mix flour, baking powder, and baking soda. Add flour mixture alternately with sour cream to creamed mixture. Topping: Mix sugars and cinnamon. Pour half of batter in pan. Sprinkle walnuts and half of topping on top of batter. Add remaining batter and sprinkle remaining topping on top. Bake for 45 minutes. Serve warm.

New York Style Cheesecake

Crust

1 cup (250 ml) graham cracker crumbs
1 cup (250 ml) walnuts chopped (finely)
1 tablespoon (15 ml) sugar
6 tablespoons (90 ml) unsalted butter, melted; divided

Preheat oven to 500°F (260°C). Combine graham cracker crumbs, chopped walnuts, and sugar in medium bowl. Add 5 tablespoons (75 ml) of melted butter and toss with fork until evenly mixed. Empty crumb mixture into 9-inch (23 cm) springform pan and press evenly into pan bottom. Set aside.

Filling

2½ pounds (1.125 kg) cream cheese, softened
⅛ teaspoon (0.625 ml) salt
1½ cups (375 ml) sugar
⅓ cup (80 ml) sour cream
1 tablespoon (15 ml) lemon juice
2 teaspoons (10 ml) vanilla extract
2 large egg yolks plus 6 large whole eggs

Place cream cheese into a large bowl and beat at low speed to break up and soften, about 1 minute; scraping bowl as necessary. Add salt and sugar and beat at medium-low speed until combined, about 1 minute. Scrape bowl; add sour cream, lemon juice, and vanilla; beat at low speed until combined. Scrape bowl; add yolks and beat at medium-low speed until thoroughly combined. Add whole eggs two at a time, beating until thoroughly combined and scraping bowl between additions, as needed.

Grease sides of springform pan with remaining melted butter. Set springform pan on rimmed baking sheet. Pour filling into pan and bake 10 minutes; without opening oven door, reduce oven temperature to 200°F (93°C) and continue to bake until center of cheesecake has a jelly consistency (150°F/66°C internal temperature), about 1 hour 15 minutes.

Transfer cake to wire rack and cool 5 minutes. To avoid cracking, free cheesecake from the sides of the pan with a paring knife before allowing it to cool fully. Cool until barely warm, 2 to 3 hours. Wrap tightly in plastic wrap and refrigerate until cold, at least 3 hours.

To unmold cheesecake, remove sides of pan. Slide thin metal spatula between crust and pan bottom to loosen, then slide cake onto serving plate.

Makes: 12 to 16 servings.

Company's Coming Chocolate Cake

| | |
|------------------------------------|------------------------------------|
| 2¼ cups (560 ml) flour, divided | 1¼ teaspoons (6.25 ml) baking soda |
| 1⅔ cups (400 ml) sugar | 1 teaspoon (5 ml) salt |
| ¾ cup (175 ml) butter, softened | 1 teaspoon (5 ml) vanilla |
| 3 tablespoons (45 ml) baking cocoa | ¼ teaspoon (1.25 ml) baking powder |
| 1¼ cups (310 ml) water | 2 eggs |

Preheat oven to 350°F (180°C). Grease and lightly flour a bundt cake pan or two 8 or 9-inch (20 or 23 cm) round pans.

Place all ingredients in a medium bowl and beat with an electric mixer on low speed until moistened; scrape bowl. Beat on high speed 3 minutes, scraping bowl as needed. Bake 50 minutes or until toothpick inserted in center comes out clean. Cool 10 minutes; remove from pans and cool on wire rack until completely cooled.

Chocolate Glaze

2 cups (500 ml) powdered sugar
4 tablespoons (60 ml) baking cocoa
4 teaspoons (20 ml) water
2 tablespoons (30 ml) vegetable oil

Combine sugar and cocoa in a small bowl. Gradually stir in water and oil. Immediately pour over cooled cake.

Banana Liqueur & Chocolate Chip Biscotti

| | |
|--|--|
| 1 cup (250 ml) sugar | 3 cups (750 ml) flour |
| ½ cup (125 ml) butter, softened | 3 teaspoons (15 ml) baking powder |
| ¼ cup (60 ml) banana liqueur (any flavor is acceptable) | ¼ teaspoon (1.25 ml) salt |
| 1 teaspoon (5 ml) vanilla extract | ½ cup (125 ml) mini semisweet chocolate chips |
| 2 eggs | |

Preheat the oven to 350°F (180°C). Grease a large cookie sheet with nonstick cooking spray. Beat sugar and butter in a large bowl with an electric mixer. Beat in banana liquor, vanilla extract, eggs, flour, baking powder and salt until smooth. Stir in the chocolate chips. Divide dough in half. Place on cookie sheet to one side. Shape into a 3 x 10-inch (6 x 26 cm) loaf about one inch (2.5 cm) thick. Repeat with the remaining dough. Bake for 25 to 30 minutes, or until firm and light golden. Remove from the oven and reduce the heat to 325°F (160°C). Allow the loaves to cool for 5 minutes. Cut into ½-inch (1 cm) slices and place cut side down on the cookie sheets. Bake for 15 minutes, then turn the cookies over and bake for 15 more minutes, or until very crisp. Allow to cool. Store in an airtight container. **Makes 32 servings.**

Cher propriétaire de cafetière,

Félicitations pour votre achat. La Collection Hamilton Beach® Eclectrics™ ajoute une touche moderne à ces appareils électroménagers fiables, entièrement en métal, que vous vous rappelez d'hier.

Posséder un Hamilton Beach®, c'est posséder un morceau d'histoire. En 1904, Louis Hamilton et Chester Beach se sont associés pour amener dans les foyers américains des appareils électroménagers comme les aspirateurs, les machines à coudre et les mélangeurs. En l'honneur de leur 10ème anniversaire, nous avons réussi à construire pour durer, un appareil en métal du passé et à y ajouter le style d'aujourd'hui pour amener une qualité durable et du style dans votre cuisine.

Quand vous utiliserez votre appareil tout en métal, pensez à l'histoire qui l'a précédé. Profitez de la confiance que vous avez dans un produit soutenu par des années d'expérience et 3 années de garantie. Mais plus que tout, remplissez votre foyer de la senteur délicieuse des recettes maison que votre appareil électroménager vous aide à créer!

J'espère que vous profiterez de votre appareil Hamilton Beach® Eclectrics™ pendant de nombreuses années.

Sincèrement,



*Michael J. Morecroft
Président et PDG
Hamilton Beach/Proctor-Silex, Inc.*

Table des matières

| | | | |
|--|----|--|-------|
| Renseignements de garantie..... | 18 | Nettoyage | 25 |
| Précautions importantes | 19 | Précautions de sécurité pour la verseuse | 26 |
| Renseignements d'assistance et de service | 20 | Petites pannes et solutions | 27 |
| Pièces et caractéristiques | 21 | Recettes | 28-32 |
| Préparation du café | 22 | <i>Boissons alcoolisées glacées</i> | 28 |
| Fonctions supplémentaires | 23 | <i>Boissons et fouettés au café</i> | 29 |
| Filtrage de l'eau | 23 | <i>Petits déjeuners, pains et desserts</i> | 29 |
| Comment préparer dun bon café | 24 | | |

Garantie standard de trois ans

Félicitations ! Vous êtes maintenant en possession de l'une des meilleures cafetières. Notre confiance à l'égard de la qualité et de la conception de votre nouvelle cafetière est telle que nous assortissons votre achat d'une garantie de remplacement de 3 ans sans souci. En cas de dysfonctionnement de votre cafetière dans les 3 ans suivant la date d'achat, l'appareil défectueux sera récupéré chez vous et un nouvel appareil vous sera remis sans frais. Voici comment cela fonctionne :

| Conditions de la garantie | Pour bénéficiaire de la garantie | Hamilton Beach® s'engage à | Hamilton Beach® ne paiera pas pour |
|---|---|---|---|
| Trois ans à compter de la date de l'achat original pour les cafetières utilisés dans les États américains continentaux, en Alaska, à Hawaï et au Canada. Cette garantie ne s'applique qu'à l'acheteur d'origine. | 1. Suivez les instructions de ce Manuel. Référez-vous à la section Conseils pour une meilleure utilisation si vous rencontrez le moindre problème pour faire fonctionner l'appareil. Si vous avez une question, appelez le Service à la clientèle dont les numéros se trouvent à la page 20. 2. Conservez la preuve d'achat. En cas de dysfonctionnement de l'appareil dans les 3 ans suivant l'achat, appelez l'un des numéros du Service à la clientèle se trouvant à la page 20. | 1. Vous envoyer une étiquette prépayée pour l'expédition de votre appareil défectueux. 2. Vous livrer à domicile un appareil de rechange neuf. | Les vices du produit causés par l'abus, le mésusage, la négligence, l'usage à des fins commerciales ou tout autre usage non prescrit dans ce Manuel. LA PRÉSENTE GARANTIE REMPLACE TOUTE AUTRE GARANTIE OU CONDITION, EXPRESSE OU IMPLIQUÉE, ÉCRITE OU ORALE, CONTENANT TOUTE GARANTIE, GARANTIE LÉGALE OU CONDITION D'UTILISATION MARCHANDE OU DE CONVENANCE À UNE UTILISATION À DES FINS PARTICULIÈRES. TOUTE RESPONSABILITÉ EST EXPRESSÉMENT LIMITÉE À UN MONTANT ÉGAL AU PRIX D'ACHAT PAYÉ. TOUTES LES RÉCLAMATIONS POUR DOMMAGES SPÉCIAUX ET INDIRECTS SONT EXPRESSÉMENT EXCLUES. |

PRÉCAUTIONS IMPORTANTES

Lorsque vous utilisez des appareils électriques, vous devez toujours prendre des précautions élémentaires afin de réduire les risques d'incendie, de choc électrique et/ou de blessures corporelles. Voici quelques instructions à suivre :

1. Lisez toutes les instructions.
2. Ne touchez pas aux surfaces chaudes. Utilisez les poignées ou les boutons. Vous devez être très prudent car vous pourriez vous brûler en touchant des pièces chaudes ou en renversant un liquide chaud.
3. Afin de vous prémunir contre les chocs électriques, ne plongez pas le cordon d'alimentation, la fiche ou la cafetière dans l'eau ou tout autre liquide.
4. Surveillez attentivement les enfants lorsque ceux-ci utilisent l'appareil ou lorsqu'il est utilisé à proximité d'eux.
5. Débranchez l'appareil de la prise de courant lorsque vous ne vous servez pas de la cafetière ou de l'horloge ou avant de le nettoyer. Laissez-le refroidir avant d'enlever ou de remettre en place des pièces ou de nettoyer l'appareil.
6. Lorsque la cafetière est en fonctionnement, elle doit toujours se trouver sur une surface plate et loin du bord du comptoir pour éviter tout renversement accidentel.
7. Ne faites pas fonctionner un appareil avec un cordon ou une fiche endommagé, ou lorsque l'appareil ne fonctionne pas correctement, qu'il est tombé ou qu'il a été endommagé d'une manière quelconque. Veuillez composer notre numéro d'assistance à la clientèle pour des renseignements concernant un examen, une réparation ou un réglage.
8. L'utilisation d'accessoires qui ne sont pas recommandés par Hamilton Beach/Proctor-Silex, Inc. peut causer un incendie, un choc électrique ou des blessures.
9. N'utilisez pas la cafetière à l'extérieur.
10. Ne laissez pas le cordon pendre au bord d'une table ou d'un comptoir ou entrer en contact avec une surface chaude, y compris la cuisinière.
11. La verseuse est conçue pour être utilisée avec cette cafetière. Elle ne doit jamais être utilisée sur la cuisinière ou dans un four à micro-ondes.
12. Ne placez pas la verseuse chaude sur une surface mouillée ou froide.
13. N'utilisez pas une verseuse fêlée ou dont la poignée est desserrée ou endommagée.
14. Ne nettoyez pas la verseuse ou la plaque chauffante avec des nettoyants, des tampons de paille de fer ou d'autres matériaux abrasifs.
15. Assurez-vous que le couvercle est bien fermé durant la préparation du café et lorsque vous le versez. Ne forcez pas en plaçant le couvercle sur la verseuse.
16. Pour débrancher la cafetière, placez l'interrupteur à la position ARRÊT (OFF), puis enlevez la fiche de la prise de courant.
17. Ne placez pas la cafetière près d'un brûleur électrique ou à gaz chaud ou dans un four chaud.
18. Avertissement : afin de diminuer le risque d'incendie ou de choc électrique, n'enlevez pas le couvercle du dessous. Il ne s'y trouve aucune pièce réparable. Les réparations ne doivent être effectuées que par un technicien autorisé.
19. N'utilisez cet appareil qu'aux fins pour lesquelles il a été conçu.

CONSERVEZ CES INSTRUCTIONS

Renseignements pour la sécurité du consommateur

Cet appareil est conçu uniquement pour l'usage domestique.

Cet appareil est muni d'un cordon avec terre à 3 broches (fiche à 3 broches). Ce type de fiche conviendra uniquement à une prise électrique conçue pour une fiche à 3 broches. Il s'agit d'une caractéristique de sécurité visant à réduire le risque de choc électrique. Si la fiche ne peut pas être insérée dans la prise, contacter un électricien qualifié pour qu'il remplace la prise désuète. Ne pas essayer de contourner l'objectif de sécurité de la fiche avec terre en la modifiant de quelque manière que ce soit.

La longueur du cordon de cet appareil a été choisie de façon à réduire le risque de s'y accrocher ou de de trébucher dessus. Si un cordon plus long est nécessaire, utiliser une rallonge homologuée. Le calibre de la rallonge doit être le même que celui de la cafetière ou supérieur. Lorsqu'on utilise une rallonge, elle doit être disposée de manière à ne pas pendre du comptoir ou du bord de la table de travail, car des enfants pourraient tirer dessus par inadvertance, et elle pourrait faire trébucher quelqu'un.

Afin d'éviter une surcharge électrique, évitez d'utiliser un autre appareil à haute puissance sur le même circuit que la cafetière.

Assistance et service

Avant d'appeler pour obtenir de l'assistance

Veillez lire ces instructions avant de téléphoner :

- La cafetière peut chauffer pendant l'emploi. Après avoir infusé plusieurs pots de café, la base de l'appareil peut être chaude au toucher. C'est normal.
- La cafetière peut émettre une odeur, surtout lorsqu'elle est neuve. C'est fréquent avec les appareils chauffés.
- La cafetière peut émettre de la vapeur ou faire des bruits à la fin de l'infusion. C'est fréquent avec les cafetières électriques.

Si votre mélangeur présente un défaut de fonctionnement ou ne fonctionne pas du tout, veuillez vérifier ce qui suit :

- Est-ce que la cafetière est branchée ?
- Est-ce que le fusible du circuit de la cafetière est en bon état ? Si vous avez un boîtier de disjoncteurs, assurez-vous que le disjoncteur est fermé.
- Débranchez la cafetière pendant 10 à 15 secondes, puis rebranchez-la.
- Si le problème n'est pas causé par un des éléments mentionnés ci-dessus, reportez-vous à la section Service à la clientèle.
- Ne ramenez pas la cafetière au magasin où vous l'avez achetée car ils n'offrent pas de service.

Service à la clientèle

Si vous avez une question au sujet de la cafetière, composez notre numéro sans frais du service à la clientèle. Avant de faire un appel, veuillez noter le numéro de modèle, de type, de série et inscrire ces renseignements ci-dessous. Ces numéros se trouvent à la base de la cafetière. Ces renseignements nous aideront à répondre beaucoup plus vite à toute question.

MODÈLE : _____ **TYPE :** _____ **SÉRIE :** _____

NUMÉRO DU SERVICE À LA CLIENTÈLE

Au Canada : 1-800-267-2826

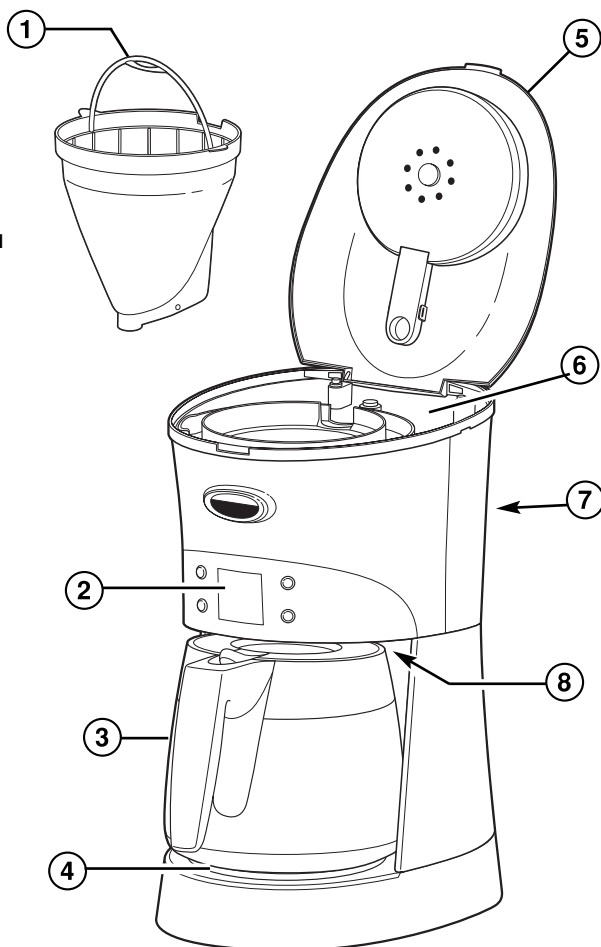
hamiltonbeach.com

hamiltonbeach.ca

CONSERVEZ CE NUMÉRO POUR RÉFÉRENCE ULTÉRIEURE !

Pièces et caractéristiques

1. Panier filtre
 2. Horloge et contrôles
 3. Verseau
 4. Plaque chauffante
 5. Couvercle
 6. Réservoir d'eau
 7. Guide de niveau d'eau
 8. Pause dégustation
 9. Cuillère à café*
- *optionnelle



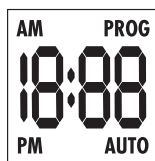
Bouton ON/OFF
(Marche/Arrêt)
avec témoin
lumineux rouge

ON-OFF



Bouton des heures

H



PROG-AUTO

Bouton de
programme avec
témoin lumineux
vert



M



Bouton des
minutes

Préparation du café

1. Pour assurer le meilleur goût possible, lavez la verseuse puis nettoyez l'intérieur de l'appareil. Voir la section « Instructions de nettoyage ».
 2. Branchez la cafetière. Les chiffres sur l'horloge clignoteront jusqu'à ce que celle-ci soit à l'heure.
 3. Appuyez sur **H** pour régler l'heure en AM ou PM. Appuyez sur **M** pour régler les minutes. L'horloge est alors réglée.
 4. Remplissez la verseuse avec la quantité désirée d'eau froide du robinet. Relevez le couvercle du réservoir et versez-y l'eau.
 5. Remettez la verseuse avec son couvercle sur la plaque chauffante. Assurez-vous que la verseuse est bien en place.
 6. Soulevez le couvercle du panier à filtre et placez-y un filtre en papier no 4 de forme conique. Un filtre permanent peut également être utilisé.
 7. Pour chaque tasse de café à préparer, versez dans le filtre une cuillère doseuse ou une cuillerée à soupe rase de café à mouture moyenne pour cafetière automatique. Baissez le couvercle du filtre pour le fermer.
 8. Appuyez une fois sur le bouton **ON/OFF** (marche/arrêt) pour activer la cafetière immédiatement et le témoin rouge s'illumine. Pour une mise en marche différée, voir la section « Pour programmer l'infusion automatique. »
REMARQUE : Pour servir du café durant le cycle de préparation, retirez la verseuse et versez-en une tasse. **En retirant la verseuse, le débit de café du bas du panier à filtre s'arrête**
 9. L'appareil s'éteindra automatiquement après deux heures. Après avoir terminé, débranchez le cordon de la prise.
- Pour programmer l'infusion automatique**
REMARQUES :
- La fonction d'infusion automatique doit être programmée chaque fois qu'elle est utilisée.
 - Assurez-vous d'avoir mis la quantité désirée d'eau et de café dans l'appareil avant d'utiliser la fonction d'infusion automatique.
1. Branchez la cafetière. Les chiffres sur l'horloge clignoteront jusqu'à ce que celle-ci soit à l'heure.
 2. Appuyez sur le bouton H jusqu'à ce que l'heure juste apparaisse. AM ou PM est affiché. Appuyez sur le bouton M jusqu'à ce que les minutes justes apparaissent. L'horloge est maintenant à l'heure.
 3. Afin de programmer la cafetière pour l'infusion automatique, appuyer sur le bouton Prog/Auto pendant deux secondes pour entrer le mode de réglage. Tout en appuyant sur Prog/Auto, appuyez sur le bouton H pour l'heure puis sur le bouton M pour les minutes, jusqu'à ce que l'heure désirée d'infusion soit affichée.
 4. Pour que la cafetière commence automatiquement l'infusion à l'heure pré-réglée, appuyez une fois sur le bouton Prog/Auto. Ce bouton s'illumine en vert pour indiquer que l'infusion automatique a été sélectionnée et que la cafetière est prête à commencer l'infusion à l'heure spécifiée. Le mot « Auto » est alors affiché.
 5. La cafetière s'éteindra 2 heures après le début de l'infusion.

ATTENTION

Risque de brûlure

Remettez la verseuse sur la plaque chauffante et assurez-vous que le dispositif de pause de dégustation est engagé en moins de 20 secondes. L'eau chaude continue de s'écouler dans le panier-filtre lorsque la fonction de pause-dégustation est utilisée. Le débordement de café et d'eau chaude présente un risque de brûlure.

Fonctions supplémentaires

Pause dégustation

Cette fonction est conçue pour vous permettre de verser une tasse de café avant que le cycle de préparation n'ait été complété. En enlevant la verseuse, l'écoulement du café à la base du panier du filtre s'arrête.

ATTENTION : Remettre la verseuse sur la plaque chauffante dans un délai de 20 secondes. L'eau chaude continue de s'écouler dans le panier-filtre lorsque cette fonction est utilisée. Le café et l'eau chaude qui débordent peuvent causer des brûlures.

Arrêt automatique

L'arrêt automatique permet d'éteindre la plaque chauffante 2 heures après que le cycle de préparation a commencé. Éteignez toujours la cafetière et débranchez-la lorsque vous avez terminé.

Filtrage de l'eau

Retirer le chlore indésirable et les impuretés à l'aide d'un filtrage de l'eau peut permettre d'obtenir un café de meilleur goût.

De ce fait, le réservoir de votre cafetière Hamilton Beach Electric a été conçu pour pouvoir recevoir les modules spéciaux de filtre à eau de Hamilton Beach.

Pour plus de détails sur la commande de filtre à eau Hamilton Beach, veuillez consulter les informations ci-dessous.

Améliorez le goût du café en utilisant l'ensemble de filtre à eau

Chaque ensemble de filtre à eau (model 80674) comprend deux filtres et un porte-filtre.

Pour commander aux États-Unis :
Composez le 1-800-455-7213
Commandez en ligne à www.HBAccessories.com

Pour commander au Canada :
Composez le 1-800-267-2826

Comment préparer un bon café

Un café de qualité est composé d'ingrédients de qualité. Utilisez du **café frais moulu** provenant de grains torréfiés. Les grains peuvent être achetés et entreposés dans un récipient scellé. Retirez la quantité de grains nécessaires et moulez-les tout juste avant la préparation du café. Une fois le grain moulu, la saveur riche et intense du café commence à diminuer.

Si les grains sont moulus trop finement, ils produiront un goût amer. Si la mouture est trop épaisse, le café aura un goût faible et aqueux.

Lorsqu'on prépare certains **cafés de spécialité**, il est nécessaire de verser plus d'une c. à soupe de café moulu par tasse. Votre nouvelle cafetière est conçue pour préparer du bon café en utilisant le moins de café moulu possible. Nous recommandons d'utiliser une c. à soupe de café moulu par tasse. Évidemment, la quantité de café moulu utilisée dépend de vos goûts.

La **qualité de votre eau potable** affecte la saveur du café. Si vous ne buvez pas l'eau du robinet, n'utilisez pas celle-ci pour préparer votre café. Si votre eau possède un goût ou une odeur bizarre, utilisez de l'eau potable en bouteille ou de l'eau filtrée pour préparer le café. Si l'eau provient du robinet, elle doit être fraîchement puisée et froide pour donner la meilleure saveur de café.

La **proportion d'eau et de café** dépend de vos goûts. Nous vous recommandons d'utiliser une c. à soupe de café moulu par tasse.

Les cafetières automatiques utilisent en général un **format de tasse de 5 oz (150 ml)**. La verseuse de la cafetière et le réservoir sont marqués en « tasses » pour faciliter la mesure.

Essayez différents **cafés aromatisés** et colorants à café aromatisés disponibles dans les supermarchés ou les magasins de cafés de spécialité. Le café ordinaire peut être aromatisé à domicile.

Ajoutez une pincée de cannelle*, ou une goutte d'extraits purs comme amande, vanille ou menthe, au café moulu avant l'infusion. Pour une saveur au moka, mélangez une cuillerée de sirop de chocolat ou de mélange de cacao instantané à chaque tasse de café infusé.

* (Une quantité excessive de cannelle peut obstruer le filtre causant le débordement du panier.)

Nettoyage

Pour maintenir le bon fonctionnement de votre cafetière, il convient de la nettoyer une fois par mois. Le nettoyage régulier déloge les dépôts calcaires qui ralentissent le temps d'infusion du café et lui donnent un goût amer.

Pour nettoyer l'intérieur de la cafetière :

1. Enlevez le filtre à eau et le porte-filtre à eau, le cas échéant.
2. Assurez-vous que le panier à filtre est vide.
3. Placez la verseuse vide sur la plaque chauffante.
4. Versez une pinte de vinaigre blanc ordinaire dans le réservoir.
5. Branchez l'appareil dans une prise électrique.
6. Appuyez une fois sur le bouton **ON/OFF** (marche/arrêt) et le témoin rouge s'illuminera. Après 30 secondes, éteignez la cafetière.
7. Attendez 30 minutes pour laisser le vinaigre agir. Mettez en marche de nouveau. Lorsque le programme d'infusion est terminé, attendez que l'appareil soit refroidi.
8. Videz la verseuse et rincez-la. Versez une verseuse pleine d'eau froide du robinet dans le réservoir. Placez la verseuse sur la plaque chauffante.
9. Appuyez sur le bouton **ON/OFF** (marche/arrêt) une fois. Lorsque le programme d'infusion est terminé, videz la verseuse. Laissez la cafetière refroidir et répétez cette même procédure encore une fois avec une autre verseuse pleine d'eau froide du robinet.
10. Lavez la verseuse et le filtre avant de préparer le café.

Pour nettoyer la verseuse et le panier à filtre :

1. Lavez la verseuse à la main dans de l'eau chaude savonneuse.
2. Pour enlever le panier à filtre, ouvrez le couvercle du filtre et soulevez-le tout droit par son anse. Lavez le tiroir à filtre à la main dans l'eau chaude savonneuse. Pour de meilleurs résultats, nettoyez souvent le panier à filtre.

Pour nettoyer l'extérieur de la cafetière :

Essuyez l'extérieur avec un chiffon doux et de l'eau chaude savonneuse. N'utilisez pas de produits nettoyants abrasifs car ils risquent d'égratigner le fini de l'appareil.

Précautions de sécurité pour la verseuse



Ce symbole vous indique qu'il existe un danger potentiel de blessures corporelles si vous négligez de lire et de suivre ces précautions de sécurité.



Ce symbole vous rappelle que le verre est fragile et peut se briser ce qui pourrait occasionner des blessures.

- Ne placez pas la verseuse dans le lave-vaisselle
- N'utilisez pas une verseuse fêlée ou dont la poignée est desserrée.
- Cette verseuse est conçue pour être utilisée uniquement sur la plaque chauffante de votre cafetière. Ne la faites pas fonctionner sur le dessus d'une cuisinière électrique ou à gaz, ou dans un four à micro-ondes ou conventionnel.
- Pour éviter de la briser, manipulez la verseuse avec soin. Évitez tout impact car le verre cassera. Lorsque vous la remplissez d'eau, agissez avec précaution pour éviter de heurter un robinet. Ne placez pas la verseuse chaude sur une surface froide ou mouillée. Laissez-la refroidir avant de la nettoyer ou d'y verser un liquide.
- Ne laissez pas une verseuse vide sur une surface chauffante.
- Ne nettoyez pas la verseuse avec des tampons en laine d'acier, des détergents abrasifs ou tout autre produit pouvant la rayer.
- N'introduisez pas la main dans la verseuse. Manipulez celle-ci avec soin si vous portez des bijoux, particulièrement des bagues avec diamants. Les bijoux peuvent égratigner le verre, ce qui augmente la possibilité de casse.
- N'heurtez pas, n'éraflez pas ou ne faites pas bouillir la verseuse jusqu'à évaporation totale.
- Jetez la verseuse lorsque celle-ci est craquelée, éraflée ou chauffée à vide pendant un long laps de temps.
- Afin d'éviter les accidents, ne versez pas le liquide en faisant face aux gens.
- Pour remuer le liquide dans la verseuse, n'utilisez que des ustensiles en plastique, en bois ou en caoutchouc. N'utilisez pas d'ustensiles en métal.
- Veuillez suivre à la lettre ces précautions de sécurité pour éviter toute brûlure grave qui pourrait être causée par le bris d'une verseuse remplie de liquide chaud.

Petites pannes et solutions

| PROBLÈME POTENTIEL | CAUSE PROBABLE/SOLUTION |
|---|---|
| Le panier à filtre déborde ou le café infuse lentement. | <ul style="list-style-type: none"> • Quantités excessives de café. Il est recommandé d'utiliser une cuiller à soupe rase de café moulu par tasse. • Mouture de café trop fine (inadaptée pour cafetière automatique). • La verseuse n'est pas bien placée sur la plaque chauffante. • La verseuse a été enlevée durant l'infusion pendant plus de 20 secondes et n'a pas été bien remise en place sur la plaque chauffante. • La cafetière a besoin d'être nettoyée. • De la mouture de café a pénétré entre le filtre en papier et le panier à filtre. • Le filtre en papier n'est pas ouvert ou est mal positionné. • Rincez le panier à filtre avant d'y placer le filtre en papier pour que les bords de celui-ci adhèrent aux parois humides du panier. • Filtre en papier de mauvaise qualité. |
| Le café a un mauvais goût. | <ul style="list-style-type: none"> • La cafetière a besoin d'être nettoyée. • La mouture n'est pas adaptée à une cafetière automatique. • La proportion de café et d'eau n'est pas équilibrée. Ajustez-la selon votre préférence. • La qualité et la fraîcheur du café laissent à désirer. • L'eau est de piètre qualité. (Utilisez de l'eau filtrée ou en bouteille). |
| La cafetière n'infuse pas de café/l'appareil ne se met pas en marche. | <ul style="list-style-type: none"> • Le réservoir d'eau est vide. • L'appareil est débranché. • Il y a eu une panne d'électricité. • Il y a eu une surtension électrique. Débranchez l'appareil et branchez-le à nouveau. • L'horloge doit être réglée de nouveau après la panne d'électricité. • La fonction d'arrêt automatique coupe la cafetière au bout de deux heures. Coupez la cafetière et remettez-la en marche pour refaire du café. Reportez-vous à Préparation du café pour plus de renseignements. |

Petites pannes et solutions

| PROBLÈME POTENTIEL | CAUSE PROBABLE/SOLUTION |
|--|--|
| Période d'infusion supérieure à la normale | <ul style="list-style-type: none"> De nombreux dépôts minéraux peuvent s'accumuler dans la pompe de la cafetière. Le nettoyage périodique de l'intérieur de l'appareil est recommandé. Un nettoyage plus fréquent peut être nécessaire, selon la dureté de l'eau. Reportez-vous à Nettoyage pour plus de renseignements. <p>REMARQUE : Ne démontez pas l'appareil.</p> |

Boissons alcoolisées glacées

Cafés crémeux

6 tasses (1,5 L) de café filtre, refroidi
 ½ pinte (500 ml) de crème glacée à la vanille
 8 oz (250 ml) de boisson à la crème irlandaise

Mettre tous les ingrédients dans le récipient du mélangeur et couvrir. Mélanger à vitesse moyenne jusqu'à la consistance désirée. **Pour 4 personnes.**

Fouetté suprême au café

4 cuillerées (cuiller à crème glacée) de crème glacée à la vanille
 1 tasse (250 ml) de café fort, refroidi
 ½ banane écrasée
 2 c. à table (30 ml) de sucre en poudre

1 c. à table (15 ml) de boisson à la crème irlandaise (facultatif)
 crème fouettée pour décorer

Mettre tous les ingrédients, sauf la crème fouettée, dans le récipient du mélangeur et couvrir. Mélanger à vitesse maximale jusqu'à la consistance désirée. Décorer de crème fouettée. **Pour 1 personne.**

Boissons et fouettés au café

Cafés panachés

2 tasses (500 ml) de café, refroidi
 2 tasses (500 ml) de crème glacée
 à la vanille
 ½ tasse (125 ml) de sirop de chocolat

glace concassée
 crème fouettée, pour décorer

Mettre le café, la crème glacée et le sirop de chocolat dans le récipient du mélangeur et couvrir. Mélanger jusqu'à consistance onctueuse. Verser sur de la glace concassée. Décorer de crème fouettée, si désiré. **Pour 4 personnes.**

Cafés veloutés

1 tasse (250 ml) de café fort, refroidi
 1 tasse (250 ml) de cubes de glace

6 oz (170 g) de yogourt au café,
 faible en matières grasses
 2 c. à table (30 ml) de sucre

Mettre tous les ingrédients dans le récipient du mélangeur et couvrir. Pulser environ 20 secondes, jusqu'à consistance onctueuse. **Pour 2 personnes.**

Latte glacés

1 tasse (250 ml) de soda (club soda)
 ½ tasse (125 ml) de sirop de vanille
 1 tasse (250 ml) de lait en poudre
 sans gras

¼ tasse (60 ml) de café
 1 tasse (250 ml) de cubes de glace

Mettre tous les ingrédients dans le récipient du mélangeur et couvrir. Mélanger à vitesse moyenne jusqu'à consistance onctueuse. **Pour 2 personnes.**

Petits déjeuners, pains et desserts

Petit déjeuner en casserole

1 lb (450 g) de saucisses de porc
 fortes
 10 œufs, légèrement battus
 1 tasse (250 ml) de poivron vert
 (surgelé), haché
 1 tasse (250 ml) d'oignon (surgelé),
 haché
 ½ tasse (125 ml) de lait

½ c. à thé (2,5 ml) de poivre noir
 1 c. à thé (5 ml) de sel
 4 tasses (1 L) de pommes de terre
 rissolées surgelées, en dés
 2 tasses (500 ml) de cheddar fort,
 râpé

Préchauffer le four à 325°F (160°C). Dans une grande poêle, faire cuire les saucisses à feu moyen-vif en remuant souvent, jusqu'à ce qu'elles perdent leur teinte rosée. Égoutter sur du papier absorbant et laisser refroidir. Dans un grand bol, bien mélanger les saucisses cuites, les œufs, le poivron vert, l'oignon, le lait, le sel et le poivre. Répartir les dés de pommes de terre surgelées dans un plat allant au four beurré de 9 po x 13 po x 2 po (23 cm x 33 cm x 5 cm). Verser le mélange aux œufs dans le plat. Recouvrir de fromage râpé. Cuire au four préchauffé à découvert environ 45 minutes, jusqu'à ce que les œufs soient pris. **Pour 8 à 10 personnes.**

Petits déjeuners, pains et desserts

Pain aux bananes

| | |
|--|--|
| 2 tasses (500 ml) de farine | 2 œufs |
| $\frac{3}{4}$ c. à thé (3,75 ml) de bicarbonate de soude | $1\frac{1}{2}$ tasse (375 ml) de bananes mûres, écrasées (environ 3 bananes) |
| $\frac{1}{2}$ c. à thé (2,5 ml) de sel | $\frac{1}{3}$ tasse (80 ml) de yogourt nature faible en gras |
| 1 tasse (250 ml) de sucre | 1 c. à thé (5 ml) d'extrait de vanille |
| $\frac{1}{4}$ tasse (60 ml) de beurre | |

Préchauffer le four à 350°F (180°C). Pour mesurer la farine, la déposer à la cuiller dans un récipient à mesurer pour ingrédients secs et égaliser à l'aide d'un couteau. Dans un bol, mélanger au fouet la farine, le bicarbonate de soude et le sel. Dans un autre bol, mettre le sucre et le beurre et battre au mélangeur à vitesse moyenne pour bien incorporer. Ajouter les œufs un à un, en mélangeant bien chaque fois. Ajouter les bananes, le yogourt et l'extrait de vanille. Ajouter le mélange d'ingrédients secs et battre juste assez pour incorporer. Verser uniformément dans un moule à pain beurré de 8 po x 4 po (20 cm x 10 cm). Cuire au four préchauffé 1 heure.

Gâteau danois

| | |
|---|--|
| 1 tasse (250 ml) de beurre, ramolli | Garniture |
| $1\frac{1}{2}$ tasse (375 ml) de sucre | $\frac{1}{2}$ tasse (125 ml) de cassonade |
| 2 œufs | $\frac{1}{4}$ tasse (60 ml) de sucre |
| $1\frac{1}{2}$ c. à thé (7,5 ml) d'extrait de vanille | 2 c. à thé (10 ml) de cannelle |
| 2 tasses (500 ml) de farine à gâteau | $\frac{1}{2}$ tasse (125 ml) de pacanes ou de noix de Grenoble hachées |
| 1 c. à thé (5 ml) de levure chimique | |
| 1 c. à thé (5 ml) de bicarbonate de soude | |
| 1 tasse (250 ml) de crème sure | |

Préchauffer le four à 350°F (180°C). Beurrer un moule à gâteau de 23 cm x 33 cm (9 po x 13 po).

Dans un bol, défaire le beurre en crème et ajouter petit à petit le sucre, les œufs et l'extrait de vanille, en battant bien après chaque ajout. Dans un autre bol, mélanger la farine, la levure chimique et le bicarbonate de soude. Ajouter le mélange d'ingrédients secs au mélange de beurre, en alternant avec la crème sure.

Pour préparer la garniture, mélanger la cassonade, le sucre et la cannelle. Verser la moitié de la préparation à gâteau dans le moule. Déposer les pacanes et la moitié de la garniture par-dessus. Verser le reste de la préparation à gâteau puis saupoudrer le reste de la garniture. Cuire au four préchauffé 45 minutes. Servir chaud.

Gâteau au fromage à la mode new-yorkaise

Croûte

- 1 tasse (250 ml) de miettes de biscuits graham
- 1 tasse (250 ml) de noix de Grenoble, hachées finement
- 1 c. à table (15 ml) de sucre
- 6 c. à table (90ml) de beurre non salé, fondu et clarifié

Préchauffer le four à 500°F (260°C). Dans un bol moyen, mélanger les miettes de biscuits graham, les noix et le sucre. Ajouter 5 c. à table (75 ml) de beurre fondu et bien mélanger à la fourchette. Verser dans un moule à fond amovible de 23 cm (9 po) et presser avec les doigts pour répartir uniformément. Réserver.

Préparation au fromage

- 2½ lb (1 kg) de fromage à la crème, ramolli
- ⅛ c. à thé (0,625 ml) de sel
- 1½ tasse (375 ml) de sucre
- ⅓ tasse (80 ml) de crème sure
- 1 c. à table (15 ml) de jus de citron
- 2 c. à thé (10 ml) d'extrait de vanille
- 2 gros jaunes d'œufs
- 6 gros œufs entiers

Mettre le fromage à la crème dans un grand bol et battre à vitesse minimale 1 minute pour bien le ramollir, en raclant le bol au besoin. Ajouter le sel et le sucre, et battre à vitesse moyenne-basse environ 1 minute, pour incorporer. Racler le bol, ajouter la crème sure, le jus de citron, l'extrait de vanille et battre à vitesse minimale jusqu'à ce que le mélange soit homogène. Racler le bol, ajouter les jaunes d'œufs et battre à vitesse moyenne-basse jusqu'à ce que le mélange soit bien homogène. Ajouter les œufs entiers deux à la fois, en battant pour bien les incorporer et en raclant le bol après chaque ajout au besoin.

Beurrer la paroi du moule à fond amovible avec le reste du beurre fondu. Déposer le moule sur une plaque à pâtisserie à rebord. Verser la préparation au fromage dans le moule et cuire au four préchauffé 10 minutes, sans ouvrir la porte du four. Réduire la température à 200°F (93°C) et poursuivre la cuisson environ 1 heure 15 minutes, jusqu'à ce que le centre du gâteau ait pris une consistance gélatineuse et qu'il atteigne une température interne de 150°F (66°C).

Déposer le moule sur une grille et laisser refroidir 5 minutes. Pour empêcher le gâteau de se fissurer, le détacher du moule en glissant un couteau d'office le long de la paroi puis le laisser refroidir de 2 à 3 heures. Envelopper hermétiquement le moule d'une pellicule de plastique et réfrigérer au moins 3 heures.

Pour démouler le gâteau, défaire la charnière et retirer la paroi. Glisser une fine spatule métallique sous la croûte et déposer le gâteau au fromage dans une assiette à gâteau. **Pour 12 à 16 personnes.**

Gâteau au chocolat « à l'improviste »

| | |
|---------------------------------------|---|
| 2¼ tasses (560 ml) de farine, tamisée | 1¼ c. à thé (6,25 ml) de bicarbonate de soude |
| 1⅔ tasse (400 ml) de sucre | |
| ¾ tasse (175 ml) de beurre, ramolli | 1 c. à thé (5 ml) de sel |
| 3 c. à table (45 ml) de cacao à cuire | 1 c. à thé (5 ml) d'extrait de vanille |
| 1¼ tasse (310 ml) d'eau | ¼ c. à thé (1 ml) de levure chimique |
| | 2 œufs |

Préchauffer le four à 350°F (180°C). Beurrer et fariner légèrement un moule à bundt cake ou 2 moules à gâteaux ronds de 8 ou 9 po (20 ou 23 cm).

Dans un bol moyen, mettre tous les ingrédients et mélanger au batteur électrique à vitesse minimale jusqu'à ce que le mélange soit humidifié. Racler le bol. Battre à vitesse maximale 3 minutes, en raclant le bol au besoin. Verser dans le ou les moules. Cuire au four préchauffé 50 minutes ou jusqu'à ce qu'un cure-dent inséré au centre du gâteau en ressorte propre. Laisser refroidir 10 minutes, sortir le gâteau du ou des moules et laisser refroidir complètement sur une grille.

Glaçage au chocolat

| |
|---------------------------------------|
| 2 tasses (500 ml) de sucre en poudre |
| 4 c. à table (60 ml) de cacao à cuire |
| 4 c. à thé (20 ml) d'eau |
| 2 c. à table (30 ml) d'huile végétale |

Dans un petit bol, mélanger le sucre et le cacao. Ajouter petit à petit l'eau et l'huile, en mélangeant. Verser aussitôt sur le gâteau refroidi.

Biscotti à la liqueur de banane et aux grains de chocolat

| | |
|--|---|
| 250 ml (1 tasse) de sucre | 750 ml (3 tasses) de farine |
| 125 ml (½ tasse) de beurre, ramolli | 15 ml (3 c. à thé) de levure chimique |
| 60 ml (¼ tasse) de liqueur de banane | 1 ml (¼ c. à thé) de sel |
| 5 ml (1 c. à thé) d'extrait de vanille | 125 ml (½ tasse) de petits grains de chocolat mi-sucrés |
| 2 œufs | |

Préchauffer le four à 350°F (180°C). Vaporiser une grande plaque à pâtisserie d'enduit anticollant. Dans un grand bol, battre le sucre et le beurre au mélangeur électrique. Ajouter en battant la liqueur de banane, l'extrait de vanille, les œufs, la farine, la levure chimique et le sel, jusqu'à ce que la préparation soit homogène. Ajouter les grains de chocolat et mélanger. Diviser la pâte en deux. Mettre une moitié de la préparation sur la moitié d'une plaque à pâtisserie et façonner un pain de 3 po x 10 po (6 x 26 cm), d'environ 1 po (2,5 cm) d'épaisseur. Répéter avec le reste de la pâte. Cuire au four préchauffé de 25 à 30 minutes, jusqu'à ce que la pâte soit ferme et légèrement dorée. Retirer du four et réduire la température à 325°F (160°C). Laisser refroidir 5 minutes. Couper la pâte en tranches de ½ po (1 cm) et les déposer, côté coupé en dessous, sur des plaques à pâtisserie. Cuire au four 15 minutes, retourner les biscotti et poursuivre la cuisson 15 minutes, ou jusqu'à ce qu'ils soient bien croquants. Laisser refroidir. Conserver dans un récipient hermétique.

Donne 32 biscuits.

Estimado Propietario de la Cafetera:

Felicitaciones por la compra que ha realizado. La Colección Hamilton Beach® Eclectrics™ brinda un toque moderno a aquellos confiables electrodomésticos totalmente hechos en metal que nos traen recuerdos del pasado.

Tener un Hamilton Beach® es como poseer una pieza histórica. En 1904, Louis Hamilton y Chester Beach se asociaron para llevar a los hogares estadounidenses electrodomésticos con motor, tales como aspiradoras, máquinas de coser y batidoras. Para rendir homenaje a su legado de cien años, hemos combinado la fabricación de metal "construida para durar" del pasado con el estilo de hoy a fin de llevar a su cocina calidad y estilo duraderos.

Mientras utiliza su electrodoméstico totalmente fabricado en metal, piense sobre la historia que lo precede. Disfrute de la confianza que genera un producto concebido durante años de experiencia y que posee una garantía de 3 años. Pero principalmente, ¡llene su hogar de los deliciosos aromas de recetas hechas en casa que su electrodoméstico le ayudará a crear!

Espero que disfrute del electrodoméstico Hamilton Beach® Eclectrics™ durante muchos años venideros.

Atentamente,



*Michael J. Morecroft
Presidente y CEO
Hamilton Beach/Proctor-Silex, Inc.*

Tabla de contenidos

| | | | |
|---|----|--|----|
| Información sobre la garantía | 34 | Filtración del agua | 40 |
| Salvaguardias importantes | 36 | Sugerencias para la preparación de un buen café..... | 41 |
| Información sobre la asistencia y el servicio | 37 | Limpieza..... | 42 |
| Piezas y características | 38 | Precauciones de seguridad de la jarra..... | 43 |
| Cómo preparar café | 39 | Solución de problemas | 44 |
| Características adicionales | 40 | | |

Hamilton Beach.

Proctor Silex.

Grupo HB PS, S.A. de C.V.
 Monte Elbruz No. 124 Int. 601
 Col. Palmitas Polanco
 México, D.F. C.P. 11560
 Tel. 52 82 31 05 y 52 82 31 06
 Fax. 52 82 3167

| PÓLIZA DE GARANTÍA | | | |
|---|--|---------|---|
| PRODUCTO: | | MARCA: | Hamilton Beach: <input type="checkbox"/> Proctor-Silex: <input type="checkbox"/> |
| | | MODELO: | |
| <p>Hamilton Beach/Proctor-Silex cuenta con una Red de Centros de Servicio Autorizada, por favor consulte en la lista anexa el nombre y dirección de los establecimientos en la República Mexicana en donde usted podrá hacer efectiva la garantía, obtener partes, componentes, consumibles y accesorios; así como también obtener servicio para productos fuera de garantía. Para mayor información llame sin costo: Centro de Atención al consumidor: 01 800 71 16 100</p> | | | |
| <p>Grupo HB PS, S.A. de C.V. le otorga a partir de la fecha de compra: GARANTÍA DE 3 AÑOS.</p> | | | |
| COBERTURA | | | |
| <ul style="list-style-type: none"> • Esta garantía ampara, todas las piezas y componentes del producto que resulten con defecto de fabricación incluyendo la mano de obra. • Grupo HB PS, S.A. de C.V. se obliga a reemplazar, reparar o reponer, cualquier pieza o componente defectuoso; proporcionar la mano de obra necesaria para su diagnóstico y reparación, todo lo anterior sin costo adicional para el consumidor. • Esta garantía incluye los gastos de transportación del producto que deriven de su cumplimiento dentro de su red de servicio. | | | |
| LIMITACIONES | | | |
| <ul style="list-style-type: none"> • Esta garantía no ampara el reemplazo de piezas deterioradas por uso o por desgaste normal, como son: cuchillas, vasos, jarras, filtros, etc. • Grupo HB PS, S.A. de C.V. no se hace responsable por los accidentes producidos a consecuencia de una instalación eléctrica defectuosa, ausencia de toma de tierra, clavija de enchufe en mal estado, etc. | | | |
| EXCEPCIONES | | | |
| <p>Esta garantía no será efectiva en los siguientes casos:</p> <ol style="list-style-type: none"> Cuando el producto se hubiese utilizado en condiciones distintas a las normales. (Uso industrial, semi-industrial o comercial.) Cuando el producto no hubiese sido operado de acuerdo con el instructivo de uso. Cuando el producto hubiese sido alterado o reparado por personas no autorizadas por Grupo HB PS, S.A. de C.V. el fabricante nacional, importador o comercializador responsable respectivo. <p>El consumidor puede solicitar que se haga efectiva la garantía ante la propia casa comercial donde adquirió su producto, siempre y cuando Grupo HB PS, S.A. de C.V. no cuente con talleres de servicio.</p> | | | |

PROCEDIMIENTO PARA HACER EFECTIVA LA GARANTÍA

- Para hacer efectiva la garantía no deben exigirse mayores requisitos que la presentación del producto y la póliza correspondiente, debidamente sellada por el establecimiento que lo vendió.
- Para hacer efectiva la garantía, lleve su aparato al Centro de Servicio Autorizado más cercano a su domicilio (consulte la lista anexa).
- Si no existe Centro de Servicio Autorizado en su localidad siga las siguientes instrucciones:
 1. Empaque su producto adecuadamente para que no se dañe durante el traslado.
 2. Anote claramente sus datos y los del Centro de Servicio al que está enviando el producto.
 3. No incluya partes sueltas ni accesorios para evitar su pérdida.
- El tiempo de reparación, en ningún caso será mayor de 30 días naturales contados a partir de la fecha de recepción del producto en nuestros Centros de Servicio Autorizados.
- En caso de que el producto haya sido reparado o sometido a mantenimiento y el mismo presente deficiencias imputables al autor de la reparación o del mantenimiento dentro de los treinta días naturales posteriores a la entrega del producto al consumidor, éste tendrá derecho a que sea reparado o mantenido de nuevo sin costo alguno. Si el plazo de la garantía es superior a los treinta días naturales, se estará a dicho plazo.
- El tiempo que duren las reparaciones efectuadas al amparo de la garantía no es computable dentro del plazo de la misma. Cuando el bien haya sido reparado se iniciará la garantía respecto de las piezas repuestas y continuará con relación al resto. En el caso de reposición del bien deberá renovarse el plazo de la garantía.

DÍA ___ MES ___ AÑO ___

Si desea hacer comentarios o sugerencias con respecto a nuestro servicio o tiene alguna queja derivada de la atención recibida en alguno de nuestros Centros de Servicio Autorizados, por favor dirigirse a:

GERENCIA INTERNACIONAL DE SERVICIO (DIMALSA)

Prol. Av. La Joya s/n. Esq. Av. San Antonio
Col. El Infiernillo C.P. 54878
Cuautitlán, Edo de México
Tel. (55) 58 99 62 42 • Fax, (55) 58 70 64 42
Centro de Atención al consumidor: 01 800 71 16 100

RED DE CENTROS DE SERVICIO AUTORIZADA GRUPO HB PS, S.A. DE C.V.**Distrito Federal**

ELECTRODOMÉSTICOS
Av. Plutarco Elías Calles No. 1499
Zacahuitzco MEXICO 09490 D.F.
Tel: 01 55 5235 2323
Fax: 01 55 5243 1397

CASA GARCIA
Av. Patriotismo No. 875-B
Mixcoac MEXICO 03910 D.F.
Tel: 01 55 5563 8723
Fax: 01 55 5615 1856

Nuevo Leon

FERNANDO SEPULVEDA
REFACCIONES
Ruperto Martínez No. 238 Ote.
Centro MONTERREY, 64000 N.L.
Tel: 01 81 8343 6700
Fax: 01 81 8344 0486

Jalisco

REF. ECONÓMICAS DE
OCCIDENTE,
S.A. DE C.V.
Garibaldi No. 1450
Ladrón de Guevara
GUADALAJARA 44660 Jal.
Tel: 01 33 3825 3480
Fax: 01 33 3826 1914

Chihuahua

DISTRIBUIDORA TURMIX
Av. Paseo Triunfo de la Rep. No. 5289
Local 2 A.
Int. Hipermart
Alamos de San Lorenzo
CD. JUAREZ 32340 Chih.
Tel: 01 656 617 8030
Fax: 01 656 617 8030

SALVAGUARDIAS IMPORTANTES

Cuando use aparatos eléctricos, es importante seguir todas las precauciones de seguridad básicas para reducir el riesgo de incendio, choque eléctrico y/o lesiones personales, que incluyen lo siguiente:

1. Lea todas las instrucciones.
2. Verifique que el voltaje de su instalación corresponda con el del producto.
3. No toque superficies calientes. Use los mangos o las perillas. Es importante tener cuidado ya que pueden ocurrir quemaduras al tocar partes calientes o como resultado del derrame de líquido calientes.
4. Para protegerse contra choque eléctrico, no coloque el cable, el enchufe ni la cafetera en agua ni en ningún otro líquido.
5. Se requiere una supervisión rigurosa cuando niños utilicen aparatos o cuando éstos se estén utilizando cerca de niños.
6. Desenchufe del tomacorriente cuando la cafetera o el reloj no se estén usando y antes de la limpieza. Deje que se enfríe antes de colocar o sacar alguna pieza, y antes de limpiar el aparato.
7. La cafetera debe ser operada sobre una superficie plana lejos del borde de la mesa o mostrador para evitar que se vuelque accidentalmente.
8. No opere ningún aparato eléctrico si el cable o el enchufe están averiados, después de un mal funcionamiento del aparato, o si éste se ha caído o averiado de alguna forma. Llame a nuestro número gratuito de servicio al cliente, para obtener información sobre el examen, la reparación o ajuste eléctrico o mecánico.
9. El uso de accesorios no recomendados por Hamilton Beach/Proctor-Silex, Inc. puede causar incendios, choques eléctricos o lesiones personales.
10. No lo use al aire libre.
11. No deje que el cable cuelgue sobre el borde de una mesa o de un mostrador, o que toque alguna superficie caliente, incluyendo la estufa.
12. La jarra ha sido diseñada para ser usada con esta cafetera. Nunca la use sobre una estufa o en un horno de microondas.
13. No coloque una jarra caliente sobre una superficie húmeda o fría.
14. No use una jarra rajada o que tenga el mango flojo o debilitado.
15. No limpie la jarra ni la placa caliente con productos de limpieza, estropajos de fibra metálica u otros limpiadores abrasivos.
16. Asegúrese de que la tapa de la jarra esté firme en posición durante el ciclo de preparación del café y cuando lo esté vertiendo; no emplee fuerza cuando coloque la tapa en la jarra.
17. Para desconectar la cafetera, coloque los controles en la posición apagada (OFF/O) y luego retire el enchufe del tomacorriente.
18. No coloque la cafetera sobre o cerca de un quemador a gas o eléctrico caliente ni en un horno caliente.
19. Advertencia: Para reducir el riesgo de incendio o choque eléctrico, no retire la cubierta inferior. El interior del aparato no contiene piezas que se puedan reparar. Las reparaciones deberán ser realizadas solamente por personal de servicio autorizado.
20. No use el aparato para ningún otro fin que no sea el indicado.

¡GUARDE ESTAS INSTRUCCIONES!

Información para la seguridad del consumidor

Este aparato ha sido diseñado solamente para uso doméstico.

Este aparato podría estar equipado con un cable de 3 terminales conectado a tierra (enchufe de 3 terminales). Este tipo de enchufe encajará solamente en un tomacorriente hecho para un enchufe de 3 terminales. Esta es una propiedad de seguridad destinada a reducir el riesgo de choque eléctrico. Si el enchufe no encaja en el tomacorriente, comuníquese con un electricista competente para cambiar el tomacorriente obsoleto. No trate de hacer caso omiso del propósito de seguridad de la clavija de tierra modificando el enchufe de alguna manera.

El largo del cable que se usa en este aparato fue seleccionado para reducir el peligro de que alguien se enganche o tropiece con un cable más largo. Si es necesario usar un cable más largo, se podrá usar un cable de extensión aprobado. La clasificación eléctrica nominal del cable de extensión debe ser igual o mayor que la clasificación nominal de la cafetera. Es importante tener cuidado de colocar el cable de extensión para que no se pliegue sobre el mostrador o la mesera en donde niños puedan tirar del mismo o tropezarse accidentalmente.

Para evitar una sobrecarga del circuito eléctrico, no use ningún otro aparato electrodoméstico de alto voltaje en el mismo circuito que su cafetera.

Información acerca de la asistencia y el servicio

Antes de llamar para solicitar asistencia

Sírvase leer antes de llamar:

- La cafetera podría calentarse durante el uso. Después de preparar varias jarras de café es posible que la base de la unidad se sienta tibia al tacto. Esta situación es normal.
- La cafetera puede emitir un olor, especialmente cuando está nueva. Esto es común con aparatos que se calientan.
- Es posible que la cafetera produzca vapor o emita sonidos al final de la preparación del café. Esto es común en cafeteras de goteo automáticas.

Si su cafetera no funciona bien o no funciona, sírvase verificar lo siguiente:

- ¿La cafetera está conectada?
- ¿El fusible del circuito de la cafetera está funcionando bien? Si tiene un tablero interruptor de circuitos, cerciórese de que esté cerrado.
- Desconecte la cafetera por 10 ó 15 segundos, luego conéctela nuevamente.
- Si el problema no se debe a uno de los puntos arriba mencionados, consulte la sección de Información de servicio al cliente.
- NO devuelva la cafetera a la tienda, ya que ellos no prestan el servicio.
¿La cafetera está conectada?

Información acerca del servicio al cliente

Si usted tiene alguna pregunta acerca de su cafetera, llame a nuestro número gratuito de servicio al cliente. Antes de llamar, anote por favor los números de modelo, tipo y serie y llene esa información debajo. Estos números se pueden encontrar en la parte inferior de su cafetera. Esta información nos ayudará a contestar a su pregunta con mucha más rapidez.

MODELO: _____ TIPO: _____ SERIE: _____

NÚMERO DE SERVICIO AL CLIENTE

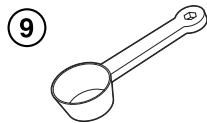
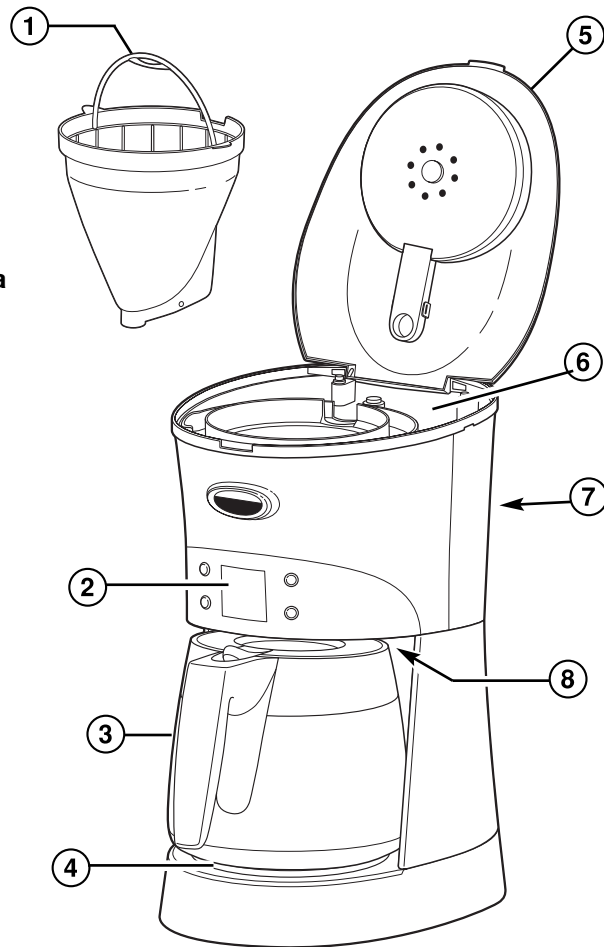
México : 01-800-71-16-100

hamiltonbeach.com.mx

¡GUARDE ESTE NÚMERO PARA REFERENCIA FUTURA!

Piezas y características

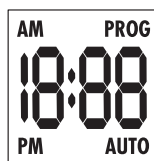
1. Portafiltros
 2. Reloj y controles
 3. Jarra
 4. Placa que mantiene caliente el café
 5. Tapa
 6. Recipiente de agua
 7. Guía del nivel del agua
 8. Pausa al servir
 9. Cuchara de medida*
- * opcional



Botón de encendido/
apagado con luz
roja indicadora



Botón de la hora



PROG-AUTO



Botón de progra-
mación con luz
verde indicadora



Botón de los
minutos

Cómo preparar café

1. Para asegurar el mejor sabor, lave la jarra, después limpie el interior de la unidad. Vea "Instrucciones de limpieza".
 2. Enchufe la cafetera. Los números del reloj destellarán hasta que se fije la hora.
 3. Presione **H** para fijar la hora actual con AM o PM. Oprima **M** para fijar los minutos actuales. Ahora se ha fijado el reloj.
 4. Llene la jarra con la cantidad deseada de agua del grifo. Abra la tapa del recipiente y vierta el agua en él.
 5. Regrese la jarra con la tapa de la jarra puesta a la placa que mantiene caliente el café. Asegúrese de que la jarra está segura en su lugar.
 6. Coloque un filtro de papel en forma de cono del número 4 en el portafiltros. También se puede utilizar un filtro permanente.
 7. Por cada taza de café que prepare coloque una cuchara al ras o una cucharada de café molido medio de goteo automático en el filtro. Baje la cubierta del filtro para cerrarla.
 8. Presione el botón de encendido/apagado (ON/OFF) para preparar café en este momento y la luz se pondrá roja. Para preparar el café más tarde, vea "Para programar la preparación automática".
- NOTA:** Para servir café durante el ciclo de preparación, quite la jarra y vierta el café. **Al retirar la jarra, se interrumpirá el flujo de café del fondo del portafiltros.**

PRECAUCIÓN

Peligro de quemaduras

Regrese la jarra a la placa que mantiene el café caliente y verifique que la función de pausa automática al servir se active en un plazo de 20 segundos. El agua caliente continúa fluyendo hacia el portafiltros cuando se usa la función de pausa automática al servir. El café y el agua caliente que se desbordan representan un peligro de quemaduras.

9. La unidad se apagará automáticamente después de dos horas. Cuando termine, desenchufe del tomacorriente.

Para programar la preparación automática

NOTAS:

- La característica de preparación automática debe programarse cada vez que se use.
 - Asegúrese de haber colocado la cantidad de agua y café deseados en la unidad antes de usar la característica de preparación automática.
1. Enchufe la cafetera. Los números del reloj destellarán hasta que se fije la hora.
 2. Presione el botón H hasta que aparezca en la pantalla la hora actual. Aparecerá en la pantalla AM o PM. Presione el botón M hasta que aparezcan los minutos actuales. Ahora se ha fijado el reloj.
 3. Para programar la cafetera para que comience a preparar el café automáticamente, presione y sostenga el botón Prog/Auto (Programa/Preparación automática) por dos segundos para ingresar el modo de ajuste. Mientras sigue presionando Prog/Auto, presione el botón H para fijar las horas; luego presione el botón M para fijar los minutos hasta que aparezca en la pantalla el tiempo de preparación deseado.
 4. Para que la cafetera comience a preparar el café automáticamente en el tiempo prefijado, presione momentáneamente el botón Prog/Auto. El botón Prog/Auto se pondrá verde para indicar que se ha fijado la preparación automática y que la cafetera está lista para comenzar la preparación del café a la hora especificada. Aparecerá en la pantalla "Auto" (Automático).
 5. La cafetera se apagará dos horas después de que comience el ciclo de preparación.

Características adicionales

Pausa al servir

Esta característica le permite verter una taza de café antes de que se haya terminado el ciclo completo de preparación. Al retirar la jarra, se detendrá la corriente de café desde la parte inferior del portafiltros.

ADVERTENCIA: Vuelva a colocar la jarra en la placa que mantiene caliente el café en menos de 20 segundos. Seguirá fluyendo agua caliente en el portafiltros cuando se use esta característica. El café y el agua que se desbordan presentan un riesgo de quemaduras.

Apagado automático

La característica de apagado automático apaga la placa que mantiene caliente el café. 2 horas después del comienzo del ciclo de preparación. Siempre apague la cafetera y desenchúfela cuando haya terminado.

Filtración del agua

Retirar el cloro e impurezas no deseadas a través de un proceso de filtrado del agua puede ayudar a lograr un café de mejor sabor.

Por esta razón el recipiente de la cafetera Hamilton Beach Eclectrics™ fue diseñada para acomodar filtros de agua Hamilton Beach.

Para detalles de cómo ordenar un kit de filtro de agua Hamilton Beach consulte la siguiente información.

Mejore el sabor del café con un kit de filtro de agua

Cada kit de filtro de agua (modelo 80674) incluye dos filtros y un retenedor.

Para ordenar en Dos Estados Unidos:

Llame al 01-800-455-7213

Ordene por Internet en www.HBAccessories.com

Sugerencias para la preparación de un buen café

El café de calidad se obtiene cuando se usan ingredientes de calidad. Para preparar el mejor café comience con café molido fresco de granos de café recién tostado. Los granos se pueden comprar y almacenar en un envase hermético en el congelador. Justo antes de la preparación, saque la cantidad necesaria y muele los granos. Una vez que se rompen los granos, el sabor intenso y rico se comienza a deteriorar.

Si los granos se muelen demasiado finos, producirán un sabor amargo. Si se muelen demasiado gruesos, el café tendrá un sabor débil y aguachento.

Ciertos cafés especiales recomiendan el uso de más de una cucharada de café molido por taza. Su nueva cafetera ha sido diseñada para preparar un café de buena calidad usando menos cantidades de café molido. Se recomienda utilizar una cucharada al ras de café molido por taza. Por supuesto, la cantidad de café molido que se use dependerá de su preferencia personal.

La calidad del agua potable afectará el sabor de su café. Si usted no bebe agua directamente del grifo, no la use para hacer café. Si el agua tiene un mal sabor u olor, o si es extremadamente dura, use agua embotellada o filtrada para hacer el café. Si el agua es del grifo, se deberá extraer en el momento, fresca y fría, para obtener el mejor sabor de café.

La proporción de café y agua depende de la preferencia personal. Se recomienda una cucharada de café molido por taza.

Las cafeteras automáticas generalmente usan un tamaño de taza de 5 onzas (150 ml). La jarra y el tanque de la cafetera están marcados en "tazas" para poder medir con facilidad.

Pruebe cafés de diferentes sabores y leche en polvo de diferentes sabores que se pueden obtener en los supermercados o en las tiendas de especialidades de café. Usted puede agregar sabor al café común en su casa. Agregue una pizca de canela * o una gota de extracto puro – como almendra, vainilla o menta – al café molido antes de prepararlo. Para un sabor de moca, mezcle una cucharada de jarabe de chocolate o de mezcla instantánea de cocoa para cada taza de café preparado.

* (Demasiada canela puede tapan el filtro y hacer que se desborde la canastilla).

Limpieza

Para mantener el buen desempeño de su cafetera, límpiela una vez al mes. La limpieza periódica remueve los depósitos minerales que retardan el tiempo de preparación del café y dan como resultado un sabor amargo del mismo.

Para limpiar el interior de la cafetera:

1. Quite el filtro de agua y la agarradera del filtro de agua si están presentes.
2. Asegúrese de que el portafiltros esté vacío.
3. Coloque la jarra vacía en la placa que mantiene caliente el café.
4. Vierta una pinta de vinagre blanco común en el recipiente.
5. Enchufe la unidad en el tomacorriente.
6. Oprima el botón de encendido/apagado (ON/OFF) y la luz indicadora se iluminará de rojo. Después de 30 segundos, apague (OFF).
7. Espere 30 minutos para dejar que el vinagre limpie. Después encienda (ON) de nuevo. Cuando el ciclo de preparación termine, espere a que la unidad se enfríe.
8. Vacíe la jarra y enjuague. Vierta una jarra de agua fría del grifo en el depósito. Coloque la jarra en la placa que mantiene caliente el café.
9. Presione el botón de encendido/apagado (ON/OFF) una vez. Cuando se termine el ciclo de preparación, vacíe la jarra. Deje que la cafetera se enfríe, luego repita este paso con una jarra más de agua fría del grifo.
10. Lave la jarra y el portafiltros antes de preparar una bebida.

Para limpiar la jarra y el portafiltros:

1. Lave la jarra a mano con agua caliente y jabonosa.
2. Para quitar el portafiltros, abra la tapa del filtro y levante directamente por la agarradera. Lave la canasta del filtro a mano con agua caliente y jabonosa. Para mantener el desempeño, lave seguido el portafiltros.

Para limpiar el exterior de la cafetera:

Limpie el exterior con un paño suave y agua tibia y jabonosa. No use limpiadores abrasivos ya que rayarán el acabado del producto.

Precauciones de seguridad de la jarra



Este símbolo le llama la atención sobre peligros potenciales de daños personales si no lee y sigue estas precauciones de seguridad.



Este símbolo le recuerda que el vidrio es frágil y se puede romper, lo cual puede resultar en daños personales.

- No coloque la cafetera en el lavavajillas.
- No use una jarra rajada o una jarra que tenga el mango suelto o débil.
- Esta jarra está diseñada para ser usada sólo en la placa que mantiene caliente el café de su cafetera. No la use en una estufa de gas o eléctrica ni en un microondas ni en un horno convencional.
- Para evitar que se rompa, maneje la jarra con cuidado. Evite los golpes bruscos. El vidrio se romperá como resultado de un golpe brusco. Tenga cuidado cuando la llene de agua para evitar que se pegue con el grifo.
- No coloque la jarra caliente en una superficie fría o mojada. Deje que se enfríe antes de lavar o añadir líquidos.
- No coloque la jarra vacía en una superficie caliente.
- No la limpie con estropajos de metal, limpiadores abrasivos o cualquier otro material que pueda rayarla.
- No ponga las manos dentro de la jarra. Cuando la use, tenga cuidado si está usando cualquier joya, especialmente anillos de diamantes. La joya puede rajar el vidrio, lo cual aumenta las posibilidades de que se rompa.
- No la choque, raje ni deje que hierva sin agua.
- Deseche la jarra si está rajada, rota o si se calentó vacía por un período de tiempo largo.
- Para evitar accidentes, no vierta en dirección de las personas.
- Si mezcla en la jarra, use sólo utensilios de madera, plástico o goma. No use utensilios de metal.
- Siga las precauciones de seguridad anteriores con cuidado para evitar quemaduras serias que pueden resultar si la jarra se rompe mientras contiene líquidos calientes.

Solución de problemas

| PROBLEMA POTENCIAL | CAUSA/ SOLUCIÓN PROBABLE |
|---|--|
| El portafiltros se desborda o la preparación del café es muy lenta. | <ul style="list-style-type: none"> • Cantidad de café en exceso. Se recomienda una cucharada de café molido por cada taza. • El grano del café es muy fino (no es grano para goteo automático). • La jarra no está colocada adecuadamente en la placa que mantiene caliente el café. • La jarra se quitó durante la preparación por más de 20 segundos y no se colocó adecuadamente de regreso en la placa que mantiene caliente el café. • La cafetera necesita limpiarse. • Hay granos de café entre el filtro de papel y el portafiltros. • El filtro de papel no está abierto ni en la posición apropiada. • Enjuague la canasta portafiltros antes de insertar el filtro de papel para que los bordes permanezcan presionados contra los lados de la canasta. • El filtro de papel es de baja calidad. |
| El café sabe mal. | <ul style="list-style-type: none"> • La cafetera necesita limpiarse. • El grano de café no es para goteo automático. • La cantidad de café-agua no es la correcta. Ajuste según la preferencia personal. • El café es de baja calidad y frescura. • El agua es de baja calidad (use agua filtrada o embotellada). |
| No está en marcha la preparación del café/ la unidad no enciende. | <ul style="list-style-type: none"> • El recipiente del agua está vacío. • La unidad está desenchufada. • Corte de corriente. • Subida de voltaje. Desenchufe, luego enchufe la unidad de nuevo. • El reloj necesita ser reajustado después de un corte de corriente. • La característica de apagado automático apaga la cafetera después de dos horas. Apague la cafetera y vuélvala a encender para preparar más café. Consulte la sección "Cómo preparar café" para información adicional. |

Solución de problemas

| PROBLEMA POTENCIAL | CAUSA/ SOLUCIÓN PROBABLE |
|--|---|
| Tiempo de preparación más largo de lo normal | <ul style="list-style-type: none">• Depósitos minerales pueden acumularse en la bomba de la cafetera. Se recomienda una limpieza periódica de la unidad. Es posible que sea necesaria una limpieza más frecuente, dependiendo de la dureza del agua de su casa. Consulte la sección "Limpieza" para mayor información. NOTA: No desarme la unidad. |

| Modelos: | Tipo: | Características Eléctricas: |
|-----------------|--------------|------------------------------------|
| 40110 | A38 | 120V~ 1110W 60Hz |
| 40111 | A38 | 120V~ 1110W 60Hz |
| 40112 | A38 | 120V~ 1110W 60Hz |
| 40113 | A38 | 120V~ 1110W 60Hz |
| 40114 | A38 | 120V~ 1110W 60Hz |
| 40115 | A38 | 120V~ 1110W 60Hz |
| 40116 | A38 | 120V~ 1110W 60Hz |
| 40117 | A38 | 120V~ 1110W 60Hz |
| 40118 | A38 | 120V~ 1110W 60Hz |
| 40119 | A38 | 120V~ 1110W 60Hz |

Los números de modelo también pueden estar seguidos del sufijo "MX".

HAMILTON BEACH PROCTOR-SILEX, INC.

263 Yadkin Road
Southern Pines, North Carolina 28387

840141700

hamiltonbeach.com
hamiltonbeach.com.mx

PROCTOR-SILEX CANADA, INC.

Picton, Ontario K0K 2T0

10/05