

# Hamilton Beach.



## Coffeemaker Cafetière Cafetera

Le invitamos a leer cuidadosamente este instructivo antes de usar su aparato.

**Read before use.  
Lire avant utilisation.  
Lea antes de usar.**



In an effort to reduce paper waste, Hamilton Beach Brands, Inc., has reduced the size of this Use and Care guide and made it available online. We believe strongly in doing our part to help care for the environment. To view Use and Care guides, recipes, and tips, please visit:

[hamiltonbeach.com](http://hamiltonbeach.com)

### Aidez-nous à protéger l'environnement!

Dans le but de réduire la consommation de papier, Hamilton Beach Brands, inc. a réduit le format des manuels d'utilisation et d'entretien et offre maintenant la version complète en ligne. Nous croyons fermement que nous contribuons à sauvegarder l'environnement. Pour voir les manuels d'utilisation et d'entretien, les recettes et les conseils, veuillez consulter le site :

[hamiltonbeach.ca](http://hamiltonbeach.ca)

### ¡Ayude a Hamilton Beach a Hacer la Diferencia!

En un esfuerzo por reducir el papel de desecho, Hamilton Beach Brands, Inc. ha reducido el tamaño de este Uso y Cuidado y lo puso disponible en línea. Creemos fuertemente en hacer nuestra parte para ayudar a cuidar el medioambiente. Para ver guías de Uso y Cuidado, recetas y consejos, por favor visite:

[hamiltonbeach.com.mx](http://hamiltonbeach.com.mx)

**USA: 1.800.851.8900**

**Canada: 1.800.267.2826**

**México: 01.800.71.16.100**

## IMPORTANT SAFEGUARDS

When using electrical appliances, basic safety precautions should always be followed to reduce the risk of fire, electric shock, and/or injury to persons, including the following:

- Read all instructions.
- Do not touch hot surfaces. Use handles or knobs. Care must be taken, as burns can occur from touching hot parts or from spilled, hot liquid.
- To protect against electric shock, do not place cord, plug, or coffeemaker in water or other liquid.
- Close supervision is necessary when any appliance is used by or near children.
- Unplug from outlet when either the coffeemaker or clock is not in use and before cleaning. Allow to cool before putting on or taking off parts and before cleaning the appliance.
- Coffeemaker must be operated on a flat surface away from the edge of counter to prevent accidental tipping.
- Do not operate any appliance with a damaged cord or plug, or after the appliance malfunctions or is dropped or damaged in any manner. Call our toll-free customer service number for information on examination, repair, or adjustment.
- The use of accessory attachments not recommended by the appliance manufacturer may cause injuries.
- Use only the carafe provided with the appliance.
- Do not use outdoors.
- Do not let cord hang over edge of table or counter or touch hot surfaces, including stove.

- The carafe is designed for use with this coffeemaker. It must never be used on a range top or in a microwave oven.
- Do not set a hot carafe on a wet or cold surface.
- Do not use a cracked carafe or one with loose or weakened handle.
- Do not clean carafe with cleansers, steel wool pads, or other abrasive materials.
- Be certain carafe lid is securely in place during brew cycle and when pouring coffee, do not use force when placing lid on carafe.
- Do not place coffeemaker on or near a hot gas or electric burner or in a heated oven.
- To disconnect coffeemaker, turn controls to OFF, then remove plug from wall outlet.
- WARNING!** To reduce the risk of fire or electric shock, do not remove the bottom cover. No user serviceable parts are inside. Repair should be done by authorized service personnel only.
- Do not use appliance for other than intended use.

## SAVE THESE INSTRUCTIONS

### Other consumer safety information

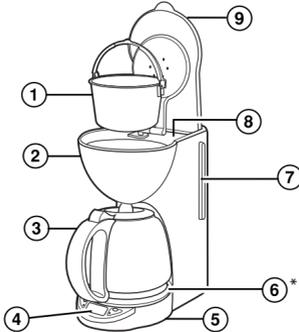
**This appliance is intended for household use only.**

**WARNING!** Shock Hazard: This appliance has a polarized plug (one wide blade) that reduces the risk of electric shock. The plug fits only one way into a polarized outlet. Do not defeat the safety purpose of the plug by modifying the plug in any way or using an adapter. If the plug does not fit, reverse the plug. If it still does not fit, have an electrician replace the outlet.

The length of the cord used on this appliance was selected to reduce the hazards of becoming tangled in or tripping over a longer cord. If a longer cord is necessary, an approved extension cord may be used. The electrical rating of the extension cord must be equal to or greater than the rating of the appliance. Care must be taken to arrange the extension cord so that it will not drape over the countertop or tabletop where it can be pulled on by children or accidentally tripped over.

To avoid an electrical circuit overload, do not use another high-wattage appliance on the same circuit with your coffeemaker.

### Parts and features



- |                       |   |
|-----------------------|---|
| 1. Filter Basket      | 6. Keep-Warm Plate*<br>(select feature on glass carafe models only) |
| 2. Filter Basket Well | 7. Water Window   |
| 3. Carafe             | 8. Water Reservoir  |
| 4. Clock              | 9. Lid  |
| 5. Base               |   |

**NOTE:** Picture references major components for all coffeemakers covered by these instructions.

### How to make coffee

#### **⚠ WARNING**

#### **Burn Hazard**

To avoid hot coffee overflowing from the filter basket:

- When using decaffeinated coffee, do not exceed the coffee manufacturer's recommended serving amount.
  - Press firmly on lid to ensure the lid is completely closed.
- If filter basket overflow occurs, unplug coffeemaker and allow coffee in filter basket to cool before removing filter basket.

- Wash coffeemaker before first use. See *Care and cleaning*.
- Place a cupcake-style paper filter in filter basket. A permanent filter may also be used.
- For each cup of coffee being made, place one level tablespoon of ground coffee into filter.
- Place filter basket in filter basket well. Fold handle down to lock basket in place. Make sure basket is fully seated.
- Fill carafe with the desired amount of cold tap water.
- Pour water from carafe into water reservoir.  
**NOTE:** Do not fill past 12-cup mark for glass carafe or 10-cup mark for thermal carafe.
- Place carafe, with lid attached, on base.
- Close coffeemaker lid. Press firmly to make sure that it is completely closed.
- Press ON/OFF  $\odot$  button to start; a red light on the button indicates coffeemaker is on. Press ON/OFF  $\odot$  button again to turn off. Unplug when finished.  
**NOTE:** Models with thermal carafes automatically shut off after brewing. Always turn coffeemaker OFF and unplug when finished.

**For models with automatic shutoff:** Press ON/OFF  $\odot$  button; a red light on the button indicates coffeemaker is on. Press again to turn coffeemaker off. Unplug when finished.

#### How to set the clock

- Press **H** to set current hour with AM or PM.
- Press **M** to set current minutes.

### How to program auto brew

- Make sure clock is set for correct time of day.
- Fill coffeemaker with desired amount of water and coffee. Place carafe with lid on base.
- Hold **PROG** (program) button and press **H** and **M** buttons until desired brewing start time is reached. Then release **PROG** and current time is displayed.
- Press **PROG** to set auto brew. A green light on the **PROG** button indicates that auto brew is set.
- Press **PROG** again to cancel automatic brew.

### How to make iced coffee

(thermal carafe models only)

- Fill water reservoir to a maximum of 5 cups and thermal carafe with ice to just below inside rim.  
**WARNING!** Do not fill beyond maximum of 5 cups. Hot, overflowing coffee is a burn hazard.
- Place filter basket in filter basket well. Fold handle down to lock basket in place. Make sure basket is fully seated.
- Brew double strength coffee for iced coffee. For a full pot, use 10 scoops.
- Place thermal carafe, with lid attached, on base.
- Close coffeemaker lid. Press firmly to make sure that it is completely closed.
- Press ON/OFF  $\odot$  button to start; a red light on the button indicates coffeemaker is on. **IMPORTANT:** Do not remove thermal carafe until light goes out. Unplug when finished.  
**NOTE:** Thermal carafe models automatically shut off after brewing.

### Features

#### Pause 'N Serve

This feature allows you to pour a cup of coffee before the entire brew cycle has completed. By removing the carafe, the flow of coffee will temporarily stop. The flow of coffee will resume when carafe is returned to the base.

**WARNING!** Burn Hazard. Return carafe to base within 20 seconds. Hot water continues to flow into filter basket when this feature is used. Overflowing coffee and hot water are a burn hazard.

#### Brew Strength Selector (on select models)

This feature allows you to control the strength/favor of the coffee. To select from mild to strong flavor, rotate the brew strength selector knob, located on top of the coffeemaker, to desired strength.

#### Permanent Filter (on select models)

The permanent filter takes the place of disposable paper filters. Rinse permanent filter in hot water before first use. Place permanent filter in filter basket with the wave section facing rear of coffeemaker. Wash permanent filter in hot, soapy water or on top rack of dishwasher.

#### Automatic Shutoff (on select models)

The Automatic Shutoff feature shuts off the coffeemaker two hours after brew cycle begins.

**NOTE:** Models with thermal carafes automatically shut off after brewing. Always turn coffeemaker OFF and unplug when finished.

### Care and cleaning

#### Inside of coffeemaker

- Place empty carafe on base. Close lid.
- Pour one pint of plain white vinegar into the water reservoir.
- Plug unit into electrical outlet.
- Press the ON/OFF button to turn on. After 30 seconds, turn OFF. Wait 30 minutes to allow the vinegar to clean. Then turn ON again. When finished, let cool.
- Empty carafe and rinse. Pour one carafe of cold tap water into the water reservoir. Place carafe on base. Close lid.
- Press ON/OFF button to turn on. When the brew cycle is complete, empty carafe. Allow to cool, then repeat with one more carafe of cold tap water.
- Wash carafe and filter basket before making a beverage.

#### Carafe and filter basket

- Wash carafe in hot, soapy water or on top rack of dishwasher.
- Remove the filter basket. Filter basket may be washed by hand or in top rack of dishwasher. Clean filter basket often.

#### Outside of coffeemaker

Wipe outside with a soft cloth and warm, soapy water. Do not use abrasive cleaners, as they will scratch the finish of the product.

### Glass carafe safety precautions

**⚠** This symbol alerts you to the potential danger for personal injury if you fail to read and follow these safety precautions.

**⚠** This symbol reminds you that glass is fragile and can break which could result in personal injury.

- Do not use a cracked carafe or a carafe having a loose or weakened handle.
- This carafe is designed to be used only on the keep-warm plate of your coffeemaker. Do not use on a gas or electric rangetop, or in a microwave or conventional oven.
- To avoid breakage, handle carafe with care. Avoid impact. Glass will break as a result of impact. Use care when filling with water to avoid hitting faucet.
- Do not place hot carafe on cool or wet surface. Allow to cool before washing or adding liquids.
- Do not set empty carafe on a hot heating surface.
- Do not clean with steel wool pads, abrasive cleanser, or any other materials that may scratch.
- Do not place hands inside carafe. When handling, be careful if wearing any hand jewelry, especially diamond rings. Jewelry can scratch the glass, which increases the possibility of breakage.
- Do not bump, scratch, or boil dry.
- Discard carafe if it is cracked, scratched, or heated while empty for an extended period of time.
- To avoid accidents, do not pour in the direction of people.
- If stirring in the carafe, use only wooden, plastic, or rubber utensils. Do not use metal utensils.
- Follow the above safety precautions carefully to avoid serious burn injuries which may result if breakage occurs while carafe holds heated liquids.

### Usage tips

- The lid must be firmly closed before brewing.
- When using a paper filter always use a good quality filter to obtain the best possible results.
- Take care not to spill loose coffee grounds between filter and filter basket.
- Make sure filter basket is securely in place.
- The carafe lid must be properly attached to carafe.
- The carafe must be placed properly and level on base before starting brew cycle.
- When using the Pause 'N Serve feature, replace carafe within 20 seconds to prevent overflow of coffee grounds and water from filter basket.

**WARNING!** Burn Hazard. Return carafe to base within 20 seconds. Hot water continues to flow into filter basket when this feature is used. Overflowing coffee and hot water are a burn hazard.

### Limited warranty

This warranty applies to products purchased in the U.S. and Canada. This is the only express warranty for this product and is in lieu of any other warranty or condition.

This product is warranted to be free from defects in material and workmanship for a period of one (1) year from the date of original purchase. During this period, your exclusive remedy is repair or replacement of this product or any component found to be defective, at our option; however, you are responsible for all costs associated with returning the product to us and our returning a product or component under this warranty to you. If the product or component is no longer available, we will replace with a similar one of equal or greater value.

This warranty does not cover glass, filters, wear from normal use, use not in conformity with the printed directions, or damage to the product resulting from accident, alteration, abuse, or misuse. This warranty extends only to the original consumer purchaser or gift recipient. Keep the original sales receipt, as proof of purchase is required to make a warranty claim. This warranty is void if the product is used for other than single-family household use.

We exclude all claims for special, incidental, and consequential damages caused by breach of express or implied warranty. All liability is limited to the amount of the purchase price. **Every implied warranty, including any statutory warranty or condition of merchantability or fitness for a particular purpose, is disclaimed except to the extent prohibited by law, in which case such warranty or condition is limited to the duration of this written warranty.** This warranty gives you specific legal rights. You may have other legal rights that vary depending on where you live. Some states or provinces do not allow limitations on implied warranties or special, incidental, or consequential damages, so the foregoing limitations may not apply to you.

To make a warranty claim, do not return this appliance to the store. Please call 1.800.851.8900 in the U.S. or 1.800.267.2826 in Canada or visit [hamiltonbeach.com](http://hamiltonbeach.com) in the U.S. or [hamiltonbeach.ca](http://hamiltonbeach.ca) in Canada. For faster service, locate the model, type, and series numbers on your appliance.

## IMPORTANTES CONSEILS DE SÉCURITÉ

Au moment d'utiliser des appareils électriques, on doit toujours respecter les règles de sécurité élémentaires afin de minimiser les risques d'incendie, d'électrocution et des blessures, notamment celles qui suivent :

- Lire toutes les instructions.
- Ne pas toucher aux surfaces chaudes. Utiliser les poignées ou les boutons. Prendre toutes les précautions nécessaires pour éviter les risques de brûlures occasionnés par les surfaces chaudes, les déversements de liquides chauds.
- Pour éviter les risques d'électrocution, ne pas immerger le cordon ou la fiche ou la cafetière dans l'eau ou tout autre liquide.
- L'utilisation de tout appareil par ou près des enfants requiert une surveillance accrue.
- Débrancher de la prise murale lorsque la cafetière ou l'horloge n'est pas utilisée et avant le nettoyage. Laisser refroidir la cafetière avant d'installer ou de retirer des pièces et avant de la nettoyer.
- Toujours placer la cafetière sur une surface plane et loin des bords de comptoir pour éviter le basculement accidentel lors de son fonctionnement.
- Ne pas utiliser aucun appareil dont le cordon ou la prise est endommagé, ou toutes anomalies de fonctionnement de l'appareil, une chute ou tout autre dommage quel qu'il soit. Appeler la ligne sans frais du Service à la clientèle pour plus d'information à propos d'une vérification, réparation ou réglage.
- L'utilisation d'accessoires non recommandés par le fabricant d'électroménagers peut causer des blessures.
- Utiliser uniquement la verseuse à café fournie avec cet appareil.
- Ne pas utiliser à l'extérieur.
- Ne pas laisser pendre le cordon de la table ou du comptoir et éviter tout contact avec les surfaces chaudes incluant la cuisinière.
- La verseuse à café est conçue exclusivement pour cette cafetière. Elle ne doit jamais être utilisée sur une table de cuisson ou dans un four à micro-ondes.
- Ne pas placer la verseuse à café chaude sur une surface mouillée ou froide.
- Ne pas utiliser une verseuse à café fissurée ou avec une poignée lâche ou usée.
- Ne pas nettoyer la verseuse à café avec de la poudre à nettoyer, des tampons métalliques ou autres matériaux abrasifs.
- S'assurer que le couvercle de la verseuse à café est bien fixé pendant le cycle d'infusion et au moment de verser le café. Ne pas utiliser la force pour fixer le couvercle de la verseuse à café.
- Ne pas placer la cafetière sur ou près d'une cuisinière électrique ou à gaz ou dans un four chaud.
- Pour débrancher la cafetière, tourner les boutons de réglage à OFF puis débrancher la fiche de la prise murale.
- AVERTISSEMENT !** Pour éviter les risques d'incendie et d'électrocution, ne pas enlever le couvercle inférieur de la cafetière. Aucune pièce réparable à l'intérieur. Les réparations doivent être faites par un technicien agréé seulement.
- N'utiliser cet appareil que pour les fonctions auxquelles il est destiné.

## CONSERVER CES INSTRUCTIONS

### Autre consigne de sécurité pour le consommateur

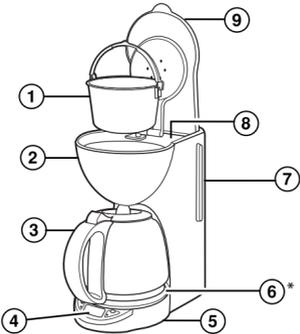
**Cet appareil est conçu pour une utilisation domestique seulement.**

**AVERTISSEMENT !** Risque d'électrocution : Cet appareil est doté d'une fiche polarisée (lame large) qui réduit le risque d'électrocution. Cette fiche s'insère d'une seule manière dans une prise polarisée. Ne pas transformer le dispositif de sécurité de la fiche en modifiant celle-ci de quelque manière que ce soit ou en utilisant un adaptateur. Si la fiche refuse de s'insérer, inversez-la. Si elle refuse toujours de s'insérer, faites remplacer la prise par un électricien.

La longueur du cordon installé sur cet appareil a été sélectionnée afin de réduire les risques d'enchevêtrement ou de faux pas causés par un fil trop long. L'utilisation d'une rallonge approuvée est permise, si le cordon est trop court. Les caractéristiques électriques de la rallonge doivent être équivalentes ou supérieures aux caractéristiques de l'appareil. Prendre toutes les précautions nécessaires pour installer la rallonge de manière à ne pas faire courir sur le comptoir ou sur une table pour éviter qu'un enfant ne tire sur le cordon ou trébuche accidentellement.

Ne pas utiliser d'appareil à puissance nominale élevée sur le même circuit électrique que la cafetière pour éviter les risques de surcharges électriques du circuit.

### Pièces et caractéristiques



- |                            |   |
|----------------------------|---|
| 1. Panier-filtre           | 6. Plaque chauffante*<br>(pour les modèles avec verseuse verre seulement) |
| 2. Cavité du panier-filtre | 7. Niveau gradué  |
| 3. Verseuse à café         | 8. Réservoir  |
| 4. Horloge                 | 9. Couvercle  |
| 5. Base                    |   |

**NOTE :** Les illustrations montrent les composantes importantes de toutes les cafetières concernées par les présentes instructions.

### Préparation du café

#### **⚠ AVERTISSEMENT**

#### **Risque de brûlure.**

Pour éviter le débordement de café chaud du panier-filtre :

- Lors de l'utilisation d'un café décaféiné, ne dépassez pas les quantités recommandées par le fabricant de café.
- Appuyez fermement sur le couvercle pour s'assurer que celui-ci est bien fermé.

Si le panier-filtre déborde, débrancher la cafetière et laisser refroidir le contenu du panier-filtre avant de retirer le panier-filtre.

- Laver la cafetière avant la première utilisation. Voir *Entretien et nettoyage*.
- Placer un filtre en papier de type panier dans le panier-filtre. Un filtre à café réutilisable peut être utilisé.
- Déposer une cuillère à soupe rase de café par tasse de café à préparer.
- Placer le panier-filtre dans la cavité du panier-filtre. Abaisser la poignée pour verrouiller le panier en place. S'assurer que le panier est bien installé.
- Remplir la verseuse à café avec de l'eau froide du robinet à la quantité désirée.
- Soulever le couvercle et verser l'eau de la verseuse à café dans le réservoir. **NOTE :** Ne pas dépasser la marque du niveau de 12 tasses pour une verseuse à café en verre ou la marque de 10 tasses pour une verseuse isotherme.
- Fixer le couvercle sur la verseuse à café puis placer le tout sur la base.
- Fermer le couvercle. Appuyez fermement pour s'assurer que le couvercle est bien fermé.
- Appuyez sur le bouton de mise en marche (ON/OFF); un témoin lumineux rouge sur le bouton indique que la cafetière est en marche. Appuyez à nouveau sur le bouton de mise en marche (ON/OFF) pour mettre la cafetière hors tension. Débrancher dès la fin de l'utilisation.
- NOTE :** Les modèles avec verseuse isotherme sont mis hors tension automatiquement dès la fin du cycle d'infusion. Toujours mettre la cafetière hors tension et la débrancher dès la fin de l'utilisation.

#### Pour les modèles dotés d'un arrêt automatique

Appuyez sur le bouton de mise en marche (ON/OFF); un témoin lumineux rouge sur le bouton indique que la cafetière est en marche. Appuyez à nouveau pour mettre la cafetière hors tension. Débrancher dès la fin de l'utilisation.

#### Réglage de l'horloge

- Appuyez sur « H » pour régler l'heure AM ou PM.
- Appuyez sur « M » pour régler les minutes.

### Programmation de l'infusion automatique

- S'assurer que l'horloge est réglée correctement à l'heure de la journée.
- Remplir la cafetière avec la quantité d'eau et de café désirés. Placer la verseuse à café et le couvercle sur la plaque chauffante.
- Maintenir le bouton de programmation (PROGRAM) enfoncé et appuyer sur « H » et « M » jusqu'à ce que l'heure de mise sous tension soit atteinte. Relâcher ensuite le bouton **PROG** pour afficher l'heure actuelle.
- Appuyer sur **PROG** pour régler l'infusion automatique. Un témoin lumineux vert sur le bouton **PROG** indique que le réglage de l'infusion automatique est activé.
- Appuyer à nouveau sur **PROG** pour annuler l'infusion automatique.

### Préparation du café glacé (pour les modèles avec verseuse thermique seulement)

- Remplir le réservoir d'eau avec une quantité maximale de 5 tasses et remplir la verseuse isotherme de glace légèrement sous le rebord intérieur.  
**AVERTISSEMENT !** Ne pas remplir au-delà de 5 tasses d'eau. Le café chaud qui déborde représente un risque de brûlure.
- Placer le panier-filtre dans le puits du panier-filtre. Abaisser la poignée pour verrouiller le panier en place. S'assurer que le panier est bien installé.
- Doubler la quantité de café moulu à infuser pour faire du café glacé. Utiliser 10 mesures pour une verseuse pleine.
- Fermer le couvercle de la verseuse et placez-la sur la base.
- Fermer le couvercle de la cafetière. Appuyez fermement pour s'assurer que le couvercle est bien fermé.
- Appuyez sur le bouton de mise en marche (ON/OFF)  $\odot$ ; un témoin lumineux rouge sur le bouton indique que la cafetière est en marche. **IMPORTANT !** Attendre que le témoin s'éteigne avant de retirer la verseuse isotherme. Débrancher dès la fin de l'utilisation.  
**NOTE :** Les modèles avec verseuse isotherme sont mis hors tension automatiquement dès la fin du cycle d'infusion.

### Caractéristiques

#### Pause et servir

Cette caractéristique permet de verser une tasse de café avant la fin du cycle complet d'infusion. En retirant la verseuse à café, le débit de café est arrêté temporairement. Le débit de café reprendra lorsque la verseuse à café sera réinstallée sur la base.

**AVERTISSEMENT !** Risque de brûlure. Remplacer la verseuse à café en moins de 20 secondes. L'eau chaude continue de couler dans le panier-filtre lorsque cette caractéristique est utilisée. Le débordement de café et d'eau représente un risque de brûlure.

#### Régulateur de concentration

(sur quelques modèles)

Cette caractéristique permet de choisir la concentration/goût de café. Pour choisir une concentration douce à forte, tourner le bouton du régulateur de concentration situé sur le dessus de la cafetière jusqu'à la concentration désirée.

#### Filtre à café réutilisable

(sur quelques modèles)  
Le filtre à café réutilisable remplace les filtres en papier jetables. Rincer le filtre à café réutilisable à l'eau chaude avant chaque utilisation. Placer le filtre à café réutilisable dans le panier-filtre en plaçant la paroi ondulée face à la partie arrière de la cafetière. Le filtre à café réutilisable peut être lavé à la main ou dans le panier supérieur du lave-vaisselle.

#### Arrêt automatique

(sur quelques modèles)  
La caractéristique d'arrêt automatique met la plaque chauffante hors tension deux heures après le début du cycle d'infusion.

**NOTE :** Les modèles avec verseuse isotherme sont mis hors tension automatiquement dès la fin du cycle d'infusion. Toujours mettre la cafetière hors tension et la débrancher dès la fin de l'utilisation.

### Entretien et nettoyage

#### Intérieur de la cafetière

- Placer la verseuse à café vide sur la plaque chauffante. Fermer le couvercle.
- Verser 1 L (une pinte) de vinaigre blanc dans le réservoir.
- Brancher l'appareil à la prise murale.
- Appuyez sur le bouton de mise en marche (ON/OFF) pour mettre en marche. Mettre hors tension après 30 secondes. Laisser agir le vinaigre pendant 30 minutes. Puis remettre en marche (ON). Lorsque le cycle est terminé, laisser refroidir.
- Vider la verseuse à café et rincer. Verser une verseuse à café d'eau froide du robinet dans le réservoir. Placer la verseuse à café sur la plaque chauffante. Fermer le couvercle.
- Appuyez sur le bouton de mise en marche (ON/OFF) pour mettre en marche. Lorsque le cycle d'infusion est terminé, vider la verseuse à café. Laisser refroidir puis répéter avec une verseuse à café pleine d'eau froide du robinet.
- Laver la verseuse à café et le panier-filtre avant d'infuser à nouveau.

#### Verseuse à café et panier-filtre

- Laver la verseuse à café dans l'eau chaude savonneuse ou placer dans le panier supérieur du lave-vaisselle.
- Retirer le panier-filtre Le panier-filtre peut être lavé à la main ou dans le panier supérieur du lave-vaisselle. Nettoyer le panier-filtre souvent.

#### Extérieur de la cafetière

Essuyer l'extérieur avec un linge doux imbibé d'eau chaude savonneuse. Ne pas utiliser de nettoyants abrasifs pour éviter d'égratigner le fini du produit.