

This Owner's Manual is provided and hosted by [Appliance Factory Parts](#).



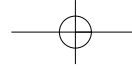
HAMILTON BEACH 62637 Owner's Manual

[Shop genuine replacement parts for HAMILTON
BEACH 62637](#)



[Find Your HAMILTON BEACH Small Appliance Parts - Select From 252 Models](#)

----- Manual continues below -----



READ BEFORE USE
LIRE AVANT D'UTILISER
LEA ANTES DE USAR

Visit hamiltonbeach.com for
delicious recipes, tips, and to register
your product online!



Consulter hamiltonbeach.ca pour les
recettes délicieuses, conseils pratiques,
et pour enregistrer votre produit !

¡Visite hamiltonbeach.com.mx para
recetas deliciosas, consejos, y para
registrar su producto en línea!

Questions?

Please call us – our friendly
associates are ready to help.
USA: 1.800.851.8900

Questions ?

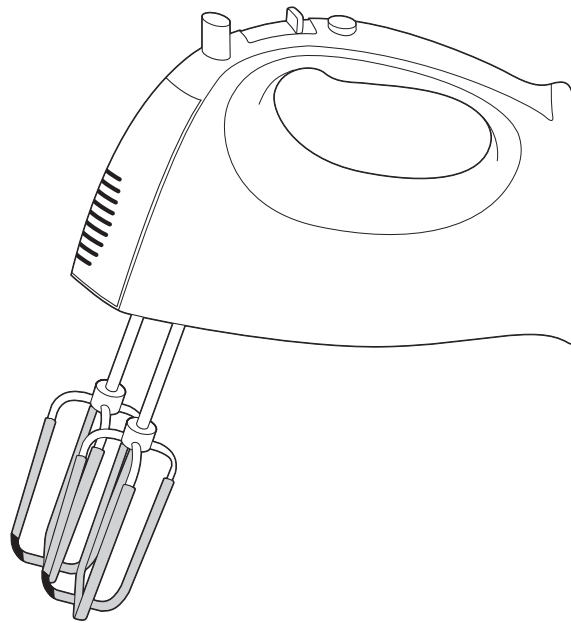
N'hésitez pas à nous appeler –
nos associés s'empresseront
de vous aider.
CAN : 1.800.267.2826

¿Preguntas?

Por favor llámenos – nuestros
amables representantes están
listos para ayudar.

MEX: 01 800 71 16 100

*Le invitamos a leer cuidadosamente
este instructivo antes de usar su
aparato.*



Hamilton Beach

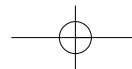
Hand Mixer

Soft Beaters

Batteurs avec Soft Beaters

Batidores Soft Beaters

Engl
Fran
Espa



IMPORTANT SAFEGUARDS

When using electrical appliances, basic safety precautions should always be followed to reduce the risk of fire, electric shock, or injury to persons, including the following:

1. Read all instructions.
2. To protect against risk of electrical shock, do not put cord, plug, or mixer body in water or other liquid.
3. Close supervision is necessary when any appliance is used by or near children.
4. Unplug from outlet when not in use, before putting on or taking off parts, and before cleaning.
5. Avoid contacting moving parts. Keep hands, hair, and clothing, as well as spatulas and other utensils, away from beaters during operation to reduce risk of injury to persons and/or damage to mixer.
6. Remove beaters from mixer before washing.
7. Do not let cord hang over edge of table or counter.
8. Do not let cord contact hot surfaces, including the stove.
9. Do not operate any appliance with a damaged cord, or after the appliance malfunctions or is dropped or damaged in any manner. Call our toll-free customer service for information on examination, repair, or electrical adjustment.
10. The use of attachments not recommended by the appliance manufacturer for use with this model may cause electric shock, or injury.
11. Do not use outdoors.
12. Do not place on or near a hot gas or electric stove or oven.
13. Check that control is off before plugging cord into wall outlet. Disconnect, turn control to OFF (O) and then plug into wall outlet.
14. Do not use appliance for other than intended use.

SAVE THESE INSTRUCTIONS!

OTHER CONSUMER SAFETY INFORMATION

This appliance is intended for household use only.

WARNING! Shock Hazard: This appliance has a polarized plug (one wide blade) that reduces the risk of electric shock. The plug fits only one way into a polarized outlet. Do not defeat the safety purpose of the plug by modifying the plug in any way or by using an adapter. If the plug does not fit, reverse the plug. If it still does not fit, have an electrician replace the outlet.

The length of the cord used on this appliance was selected to reduce the hazards of becoming tangled in or tripping over a longer cord. If a longer cord is necessary, an approved extension cord may be used. The electrical rating of the extension cord must be equal to or greater than the rating of the appliance. Care must be taken to arrange the extension cord so that it will not drape over the

countertop or tabletop where it can be pulled over and accidentally tripped over.

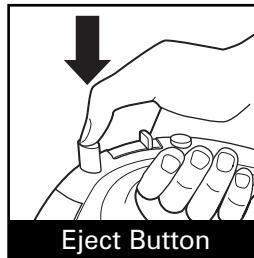
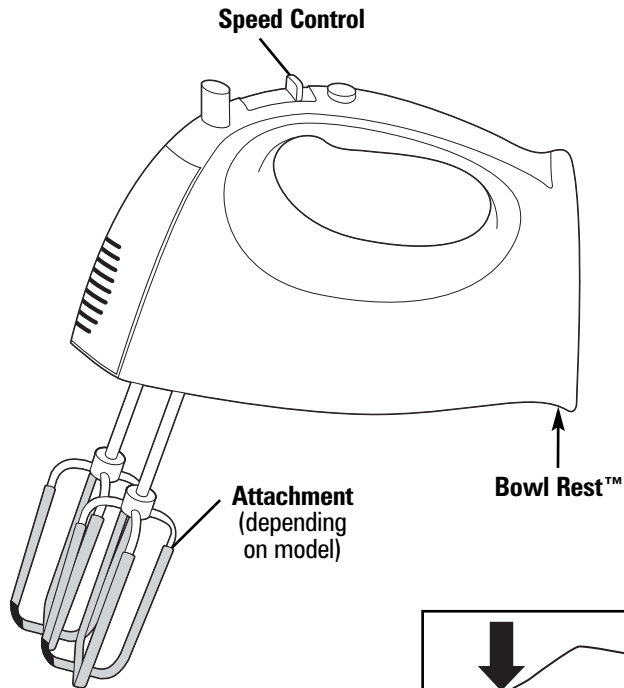
CAUTION! Moving Parts Hazard.

To reduce the risk of personal injury, always unplug the appliance before inserting or removing beaters.

WATTAGE/PEAK POWER INFORMATION

The marked rating of the hand mixer is determined by UL Laboratories as the maximum stabilized power consumed by the hand mixer at high speed under a loaded condition. Peak power is an average of the maximum wattage consumed during initial operation at high speed.

Parts and Features



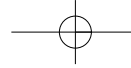
General Mixing Guide

The following mixing guide is a suggestion of speeds for 6-speed mixers. Begin on speed 1 and increase to the desired speed depending on the recipe contents.

SPEED	FUNCTION
0	OFF and/or Eject
1	LOW speed for folding or mashing; muffins, or quick breads
2	To cream butter and sugar; kneading
3	MEDIUM speed for most pastries
4	Frosting and mashed potatoes
5	Beating egg whites; kneading
6	HIGH speed for whipping cream

Cookie Dough Mixing Guide

- Use a large mixing bowl so that the ingredients are mixed more easily.
- Butter and margarine should be at room temperature.
- Add flour one cup at a time, mixing thoroughly.
- Chips and nuts should be stirred by hand.

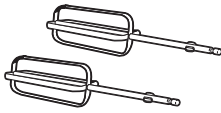


Features Chart

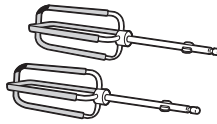
Model number can be found on hand mixer or hand mixer carton.

*Select models may have different or additional letter suffixes.

MODEL	ATTACHMENTS				
	FLAT	SOFTSCRAPE™ BEATERS	WHISK	SOFTSCRAPE™ WHISK	DOUGH HOOKS
62637	✓	✓		✓	
62640		✓		✓	✓



Flat Beaters
(General Use)



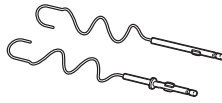
SoftScrape™ Beaters
(General/Heavy Use)
Dishwasher-Safe



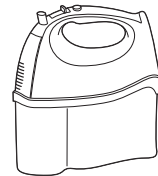
Stainless Steel Whisk
(Whipping/Aerating)



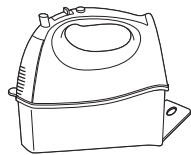
SoftScrape™ Whisk
(Whipping/Aerating)
Dishwasher-Safe



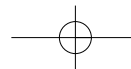
Dough Hooks
(Mixing/Kneading)

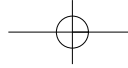


Snap-On Case
(optional accessory
on select models)

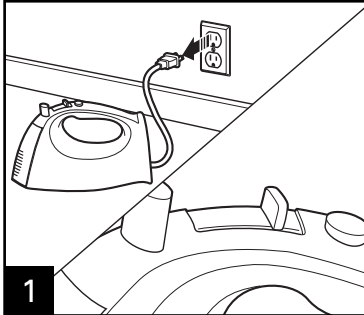


**Snap-On Case
with Storage Door**
(optional accessory
on select models)

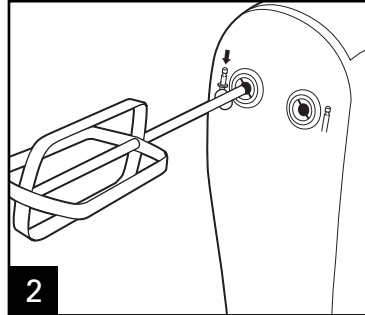




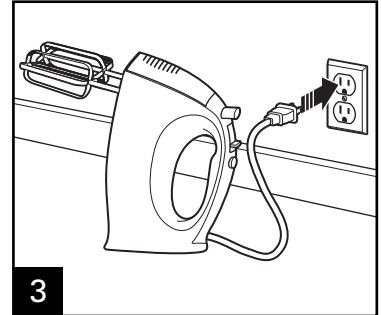
How to Use Your Hand Mixer



1 Make sure mixer is unplugged and turned to OFF (O).



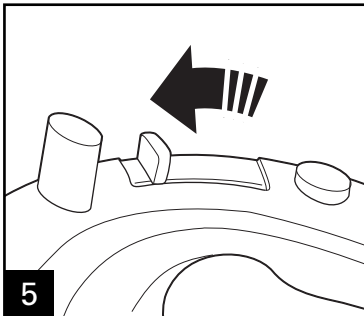
2 Following diagrams on bottom of mixer, insert desired attachment(s) into proper openings on bottom of mixer. Push and click into place.



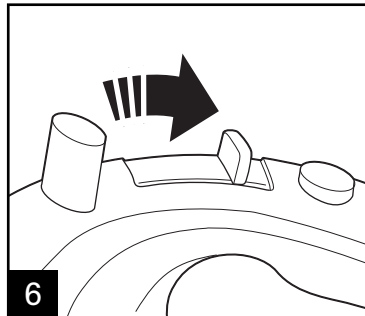
3



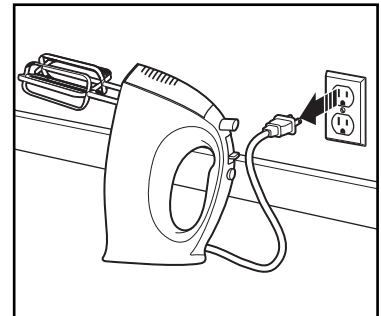
4



5 Move speed control to desired speed. Start at 1 and increase speed as needed.



6 When finished, turn speed control to OFF (O) and unplug mixer.

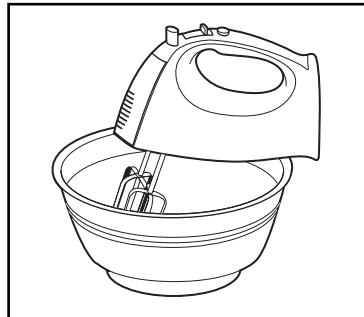
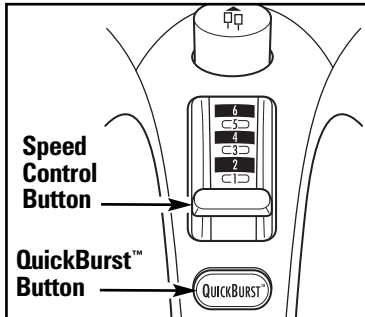


NOTE: Always unplug mixer before attempting to remove beaters.



Eject B
Push eject b
attachments

Additional Features



QuickBurst™

Press and hold down the QuickBurst button for additional power at any speed.

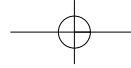
NOTICE: Do not use QuickBurst for more than two minutes at a time. This could cause the motor to overheat, possibly resulting in permanent damage to the mixer.

Bowl Rest™

Use the Bowl Rest while adding ingredients or checking a recipe. To use, TURN MIXER OFF and then set the mixer on the edge of the bowl.

Never use Bowl Rest when mixer is on.

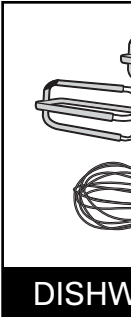
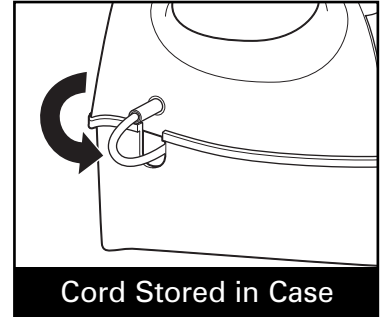
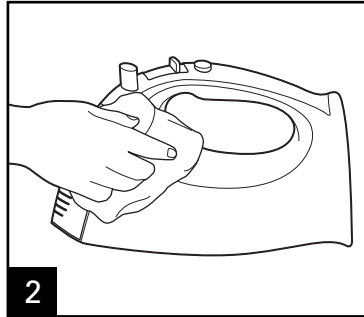
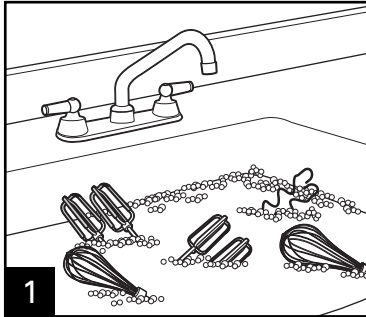
Do not use Bowl Rest on small or plastic mixing bowls.



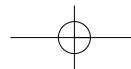
Cleaning and Storage

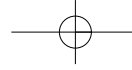
⚠ WARNING

Electrical Shock Hazard. Disconnect power before cleaning. Do not immerse mixer, cord, or case in water.



NOTE: Soften attachments in warm water before washing in dishwasher. Do not wash whisk in dishwasher.





Limited Warranty

This warranty applies to products purchased in the U.S. and Canada. This is the only express warranty for this product and any other warranty or condition.

This product is warranted to be free from defects in material and workmanship for a period of one (1) year from the purchase. During this period, your exclusive remedy is repair or replacement of this product or any component found to be defective at our option; however, you are responsible for all costs associated with returning the product to us and our return shipping charges. A component under this warranty to you. If the product or component is no longer available, we will replace with a similar or greater value.

This warranty does not cover glass, filters, wear from normal use, use not in conformity with the printed directions, or damage to the product resulting from accident, alteration, abuse, or misuse. This warranty extends only to the original consumer purchaser. Keep the original sales receipt, as proof of purchase is required to make a warranty claim. This warranty is intended for use for other than single-family household use.

We exclude all claims for special, incidental, and consequential damages caused by breach of express or implied warranty. The amount of the purchase price. **Every implied warranty, including any statutory warranty or condition of merchantability or fitness for a particular purpose, is disclaimed except to the extent prohibited by law, in which case the implied warranty or condition is limited to the duration of this written warranty.** This warranty gives you specific legal rights, which may vary from other legal rights that vary depending on where you live. Some states or provinces do not allow limitations on implied warranties, so the foregoing limitations may not apply to you.

To make a warranty claim, do not return this appliance to the store. Please call 1.800.851.8900 in the U.S. or 1.800.235.8900 in Canada or visit hamiltonbeach.com in the U.S. or hamiltonbeach.ca in Canada. For faster service, locate the model, type, and serial number on your appliance.

