

READ BEFORE USE
LIRE AVANT D'UTILISER
LEA ANTES DE USAR

Visit hamiltonbeach.com for
delicious recipes, tips, and to register
your product online!



Consulter hamiltonbeach.ca pour les
recettes délicieuses, conseils pratiques,
et pour enregistrer votre produit !

¡Visite hamiltonbeach.com.mx para
recetas deliciosas, consejos, y para
registrar su producto en línea!

Questions?

Please call us – our friendly
associates are ready to help.
USA: 1.800.851.8900

Questions ?

N'hésitez pas à nous appeler –
nos associés s'empreseront
de vous aider.
CAN : 1.800.267.2826

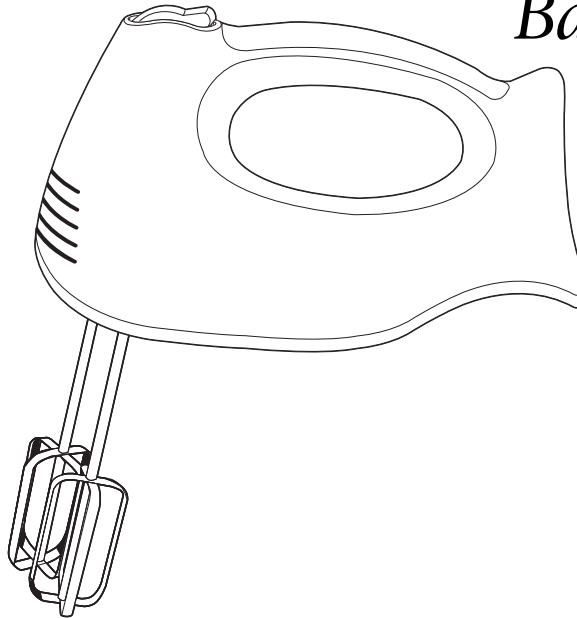
¿Preguntas?

Por favor llámenos – nuestros
amables representantes están
listos para ayudar.
MEX: 01 800 71 16 100

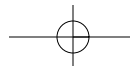
*Le invitamos a leer cuidadosamente
este instructivo antes de usar su
aparato.*

**Hamilton
Beach®**

Hand Mixers
Batteur à main
Batidora de mano



English	2
Français	9
Español	16



IMPORTANT SAFEGUARDS

When using electrical appliances, basic safety precautions should always be followed to reduce the risk of fire, electric shock, and/or injury to persons, including the following:

1. Read all instructions.
2. To protect against risk of electrical shock, do not put cord, plug, or mixer body in water or other liquid.
3. Close supervision is necessary when any appliance is used by or near children.
4. Unplug from outlet when not in use, before putting on or taking off parts, and before cleaning.
5. Avoid contacting moving parts. Keep hands, hair, and clothing, as well as spatulas and other utensils, away from beaters during operation to reduce risk of injury to persons and/or damage to mixer.
6. Remove beaters from mixer before washing.
7. Do not let cord hang over edge of table or counter.
8. Do not let cord contact hot surfaces, including the stove.
9. Do not operate any appliance with a damaged cord or plug, or after the appliance malfunctions or is dropped or damaged in any manner. Call our toll-free customer service number for information on examination, repair, or electrical or mechanical adjustment.
10. The use of attachments not recommended or sold by the appliance manufacturer for use with this model may cause fire, electric shock, or injury.
11. Do not use outdoors.
12. Do not place on or near a hot gas or electric burner, or in a heated oven.
13. Check that control is off before plugging cord into wall outlet. To disconnect, turn control to **O** (OFF) and then remove plug from wall outlet.
14. Do not use appliance for other than intended purpose.

SAVE THESE INSTRUCTIONS!

OTHER CONSUMER SAFETY INFORMATION

This appliance is intended for household use only.

WARNING! Shock Hazard: This appliance has a polarized plug (one wide blade) that reduces the risk of electric shock. The plug fits only one way into a polarized outlet. Do not defeat the safety purpose of the plug by modifying the plug in any way or by using an adapter. If the plug does not fit, reverse the plug. If it still does not fit, have an electrician replace the outlet.

The length of the cord used on this appliance was selected to reduce the hazards of becoming tangled in or tripping over a longer cord. If a longer cord is necessary, an approved extension cord may be used. The electrical rating of the extension cord must be equal to or greater than the rating of the appliance. Care must be taken to

arrange the extension cord so that it will not drape over the counter-top or tabletop where it can be pulled on by children or accidentally tripped over.

CAUTION! Moving Parts Hazard.

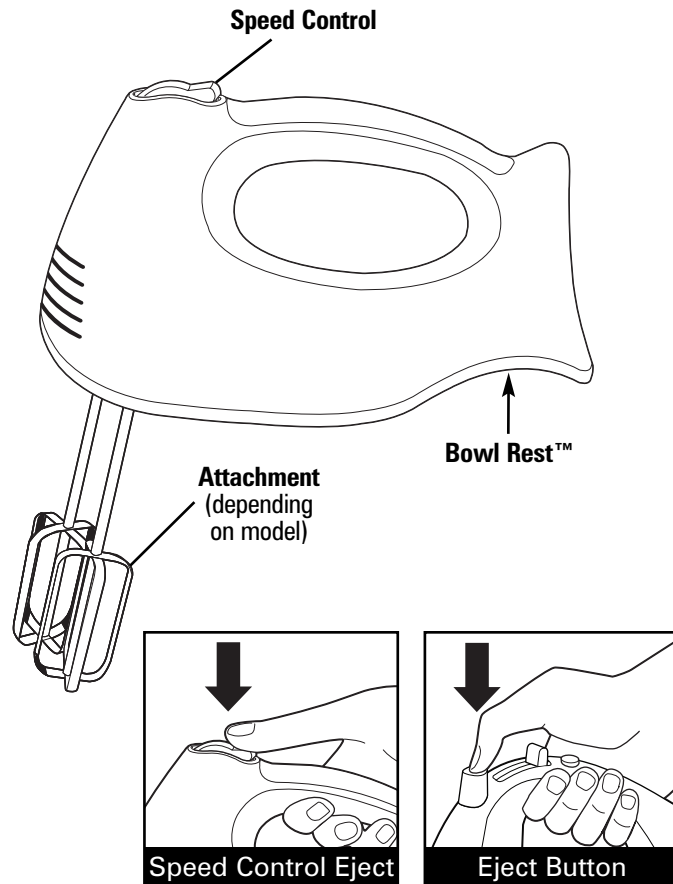
To reduce the risk of personal injury, always unplug mixer before inserting or removing beaters.

WATTAGE/PEAK POWER INFORMATION

The marked rating of the hand mixer is determined by Underwriters Laboratories as the maximum stabilized power consumption of the hand mixer at high speed under a loaded condition.

Peak power is an average of the maximum wattage a hand mixer may consume during initial operation at high speed.

Parts and Features



General Mixing Guide

The following mixing guide is a suggestion for selecting mixing speeds for 6-speed mixers. Begin on speed 1 and increase to desired speed depending on the recipe consistency.

SPEED	FUNCTION
0	OFF and/or Eject
1	LOW speed for folding or mixing in dry ingredients, muffins, or quick breads
2	To cream butter and sugar; most cookie dough
3	MEDIUM speed for most packaged cake mixes
4	Frosting and mashed potatoes; kneading dough
5	Beating egg whites; kneading dough
6	HIGH speed for whipping cream

Cookie Dough Mixing Guide

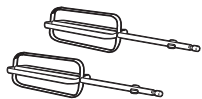
- Use a large mixing bowl so that the ingredients spread out for easier mixing.
- Butter and margarine should be at room temperature.
- Add flour one cup at a time, mixing thoroughly after each addition.
- Chips and nuts should be stirred by hand.

Features Chart

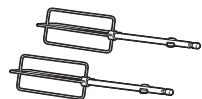
Model number can be found on hand mixer or hand mixer carton.

*Select models may have different or additional letter suffixes.

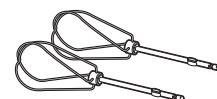
MODEL	ATTACHMENTS						STORAGE	EJECT
	FLAT	STRAIGHT WIRE	TWISTED WIRE	WHISK	MILK SHAKE	DOUGH HOOKS		
62630	✓			✓			Snap-On	Press Speed Control
62650	✓	✓		✓			Snap-On	Press Eject Button
62660R		✓		✓		✓	Suitcase	Press Speed Control
62670	✓			✓			None	Press Eject Button
62676			✓	✓	✓		Snap-On	Press Eject Button
62680R	✓						None	Press Speed Control
62682R	✓			✓			Snap-On	Press Speed Control
62683	✓			✓			Snap-On	Press Speed Control
62695N	✓	✓		✓			Snap-On	Press Speed Control
62695V	✓			✓			Snap-On	Press Eject Button



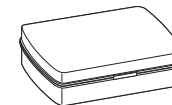
Flat Beaters
(General Use)



Straight Wire Beaters
(General/Heavy Use)



Twisted Wire Beaters
(General Use)



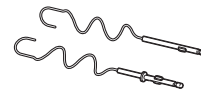
Suitcase Style



Whisk
(Whipping/Aerating)



Milk Shake
(Ice Cream/Powdered Drink Mixes)

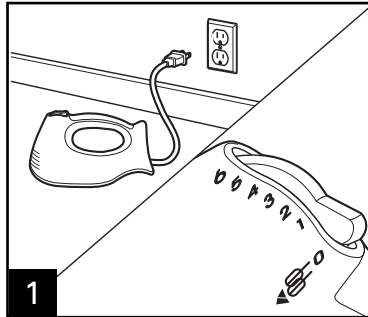


Dough Hooks
(Mixing/Kneading)

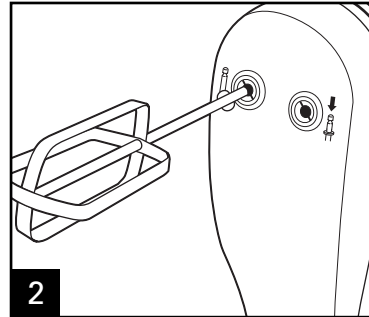


Snap-On Case

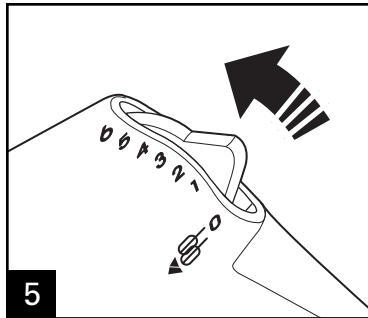
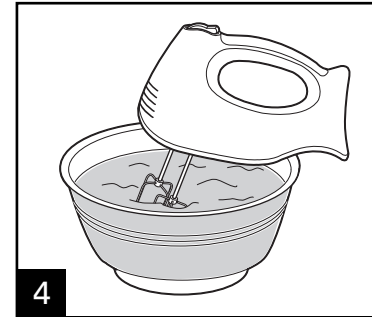
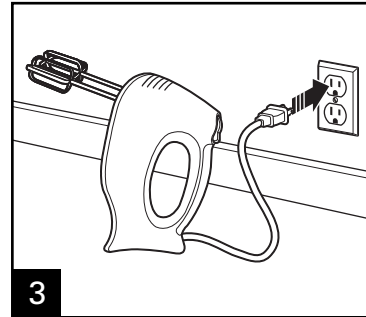
How to Use Your Hand Mixer



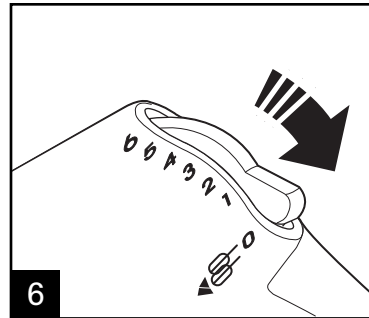
1 Make sure mixer is unplugged and turned to **O** (OFF).



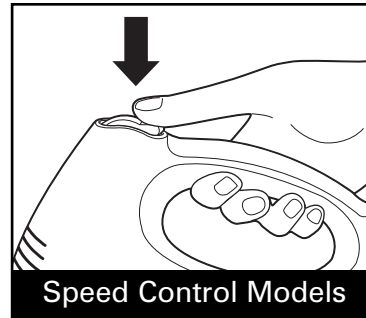
2 Following diagrams on bottom of mixer, insert desired attachment(s) into proper openings on bottom of mixer. Push and click into place.



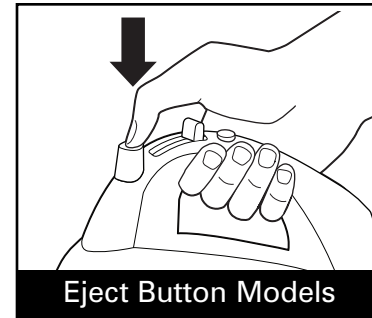
5 Move speed control to desired speed. Start at 1 and increase speed as needed.



6 When finished, turn speed control to **O** (OFF) and unplug mixer.

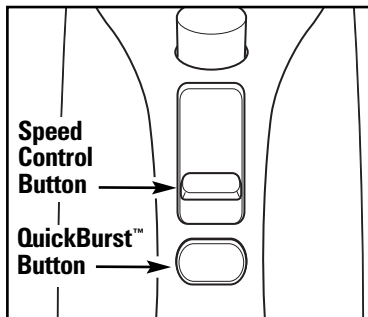


Speed Control Models
Push speed control to eject attachments.



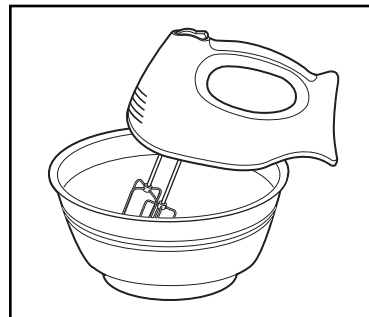
Eject Button Models
Push eject button to eject attachments.

Additional Features



**Speed
Control
Button**

**QuickBurst™
Button**



QuickBurst™

Press and hold down the QuickBurst button for additional power at any speed.

NOTE: Do not use QuickBurst for more than two minutes at a time or motor may overheat.

Bowl Rest™

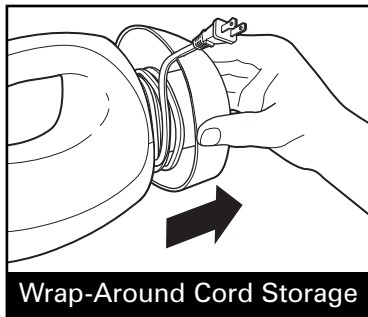
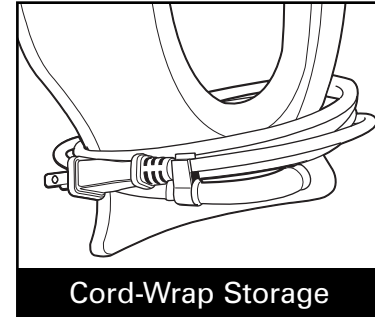
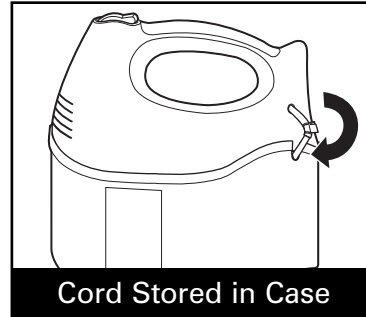
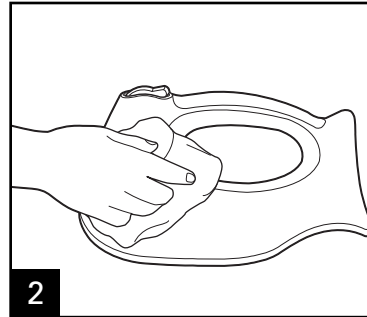
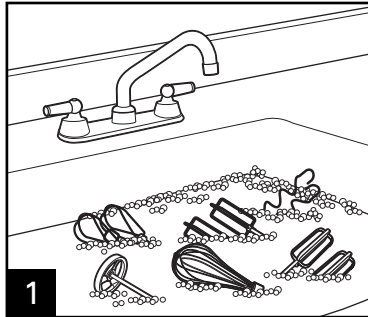
Use the Bowl Rest while adding ingredients or checking a recipe. To use, TURN MIXER OFF; then set the mixer on the edge of the bowl.

Never use Bowl Rest when mixer is on.

Do not use Bowl Rest on small or plastic mixing bowls.

Cleaning and Storage

⚠ WARNING **Electrical Shock Hazard.** Disconnect power before cleaning. Do not immerse mixer, cord, or plug in any liquid.



Limited Warranty

This warranty applies to products purchased in the U.S. and Canada. This is the only express warranty for this product and is in lieu of any other warranty or condition.

This product is warranted to be free from defects in material and workmanship for a period of one (1) year from the date of original purchase. During this period, your exclusive remedy is repair or replacement of this product or any component found to be defective, at our option; however, you are responsible for all costs associated with returning the product to us and our returning a product or component under this warranty to you. If the product or component is no longer available, we will replace with a similar one of equal or greater value.

This warranty does not cover glass, filters, wear from normal use, use not in conformity with the printed directions, or damage to the product resulting from accident, alteration, abuse, or misuse. This warranty extends only to the original consumer purchaser or gift recipient. Keep the original sales receipt, as proof of purchase is required to make a warranty claim. This warranty is void if the product is used for other than single-family household use.

We exclude all claims for special, incidental, and consequential damages caused by breach of express or implied warranty. All liability is limited to the amount of the purchase price. **Every implied warranty, including any statutory warranty or condition of merchantability or fitness for a particular purpose, is disclaimed except to the extent prohibited by law, in which case such warranty or condition is limited to the duration of this written warranty.** This warranty gives you specific legal rights. You may have other legal rights that vary depending on where you live. Some states or provinces do not allow limitations on implied warranties or special, incidental, or consequential damages, so the foregoing limitations may not apply to you.

To make a warranty claim, do not return this appliance to the store. Please call 1.800.851.8900 in the U.S. or 1.800.267.2826 in Canada or visit hamiltonbeach.com in the U.S. or hamiltonbeach.ca in Canada. For faster service, locate the model, type, and series numbers on your appliance.