



Front-Loading Automatic Washer

Use & Care Guide

Lavadora automática de carga frontal

Manual de uso y cuidado

Models/Modelos 796.4027#9##



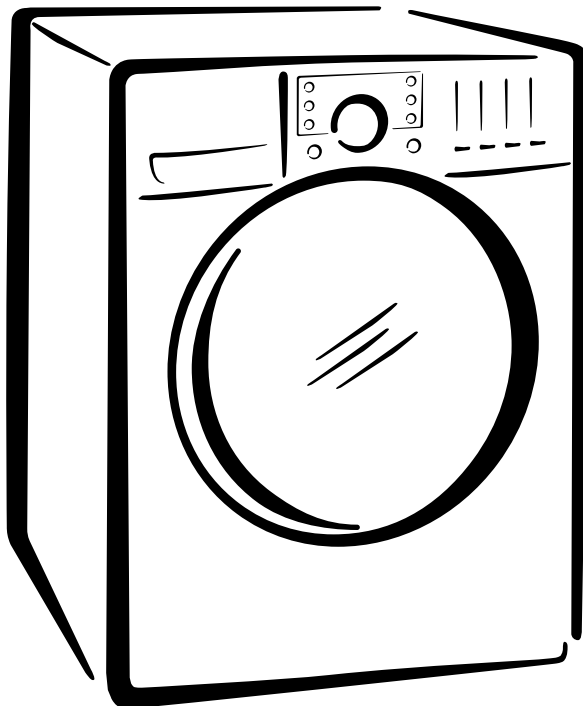
Designed to use only HE
High Efficiency detergent

Diseñado para utilizar solamente
detergente de alta eficacia



Protocol P172
Sanitization Performance of Residential
and Commercial, Family Sized Clothes
Washers

Protocolo P172
Ejecucion de Saneamiento en la zona
residencial y comercial, lavadoras del uso
del hogar



ENGLISH

ESPAÑOL

TABLE OF CONTENTS

SAFETY MESSAGES	3
IMPORTANT SAFETY INSTRUCTIONS	3-5
GROUNDING INSTRUCTIONS.....	5
FEATURES AND BENEFITS	
Key Parts and Components	6
Included Accessories	6
Optional Accessories	6
INSTALLATION REQUIREMENTS	
Key Dimensions and Specifications	7
Choose the Proper Location	7
Flooring	7
Clearances	7
INSTALLATION INSTRUCTIONS	
Unpacking and Removing Shipping Bolts.....	8
Connecting the Water Lines.....	9
Connecting the Drain Hose.....	10
Connect to the Power Supply	10
Leveling the Washer	11
Installation of non-skid pads (optional)	11
HOW TO USE	
Control Panel Features	12
Operating the Washer.....	13
Cycle Guide	14
Sorting Wash Loads.....	15
About the Dispenser	16
Detergent and Dispenser Use.....	17
Time and Status Display	18
Cycle Modifier Buttons	19
Cycle Option Buttons	20
DELAY START	20
2 nd RINSE.....	20
STAIN TREAT	20
AUTO SOAK	20
Special Functions.....	20
CONTROL LOCK.....	20
CLEAN WASHER	20
CARE AND CLEANING	
Regular Cleaning	21-22
Cleaning the Exterior	21
Care and Cleaning of the Interior.....	21
Door Seal and Glass Cleaning.....	21
Removing Mineral Buildup	21
Storing the Washer	21
Cleaning the Dispenser.....	22
Maintenance	23-24
Cleaning the Water Inlet Filters.....	23
Cleaning the Drain Pump Filter.....	24
TROUBLESHOOTING GUIDE	
Normal Sounds You May Hear	25
Before Calling for Service	25-28
WARRANTY	29

PRODUCT RECORD

In the space below, record the date of purchase, model, and serial number of your product. You will find the model and serial number printed on an identification plate located inside the washer door. Have these items of information available whenever you contact Sears concerning your product.

Model No. _____

Date of Purchase _____

Serial No. _____

Save these instructions and your sales receipt for future reference.

PROTECTION AGREEMENTS

Master Protection Agreements

Congratulations on making a smart purchase. Your new Kenmore® product is designed and manufactured for years of dependable operation. But like all products, it may require preventive maintenance or repair from time to time. That's when having a Master Protection Agreement can save your money and aggravation.

The Master Protection Agreement also helps extend the life of your new product. Here's what the Agreement* includes:

- **Parts and labor** needed to help keep products operating properly **under normal use**, not just defects. Our coverage goes **well beyond the product warranty**. No deductible, no functional failure excluded from coverage – **real protection**.
- **Expert service** by a force of more than 10,000 authorized **Sears service technicians**, which means someone you can trust will be working on your product.
- **Unlimited service calls and nationwide service**, as often as you want us, whenever you want us.
- **"No-lemon" guarantee** – replacement of your covered product if four or more product failures occur within twelve months.
- **Product replacement** if your covered product can't be fixed.
- **Annual Preventive Maintenance Check** at your request – no extra charge.
- **Fast help by phone** – we call it **Rapid Resolution**. Phone support from a Sears representative on all products. Think of us as a "talking owner's manual."
- **Power surge protection** against electrical damage due to power fluctuations.
- **\$250 food loss protection annually** for any food spoilage that is the result of mechanical failure of any covered refrigerator or freezer.
- **Rental reimbursement** if repair of your covered product takes longer than promised.
- **10% discount** off the regular price of any non-covered repair service and related installed parts

Once you purchase the Agreement, a simple phone call is all that it takes for you to schedule service. You can call anytime day or night or schedule a service appointment online.

The Master Protection Agreement is a risk-free purchase. If you cancel for any reason during the product warranty period, we will provide a full refund, or a prorated refund anytime after the product warranty period expires. Purchase your Master Protection Agreement today!

Some limitations and exclusions apply.
For prices and additional information in the U.S.A. call 1-800-827-6655.

***Coverage in Canada varies on some items.**
For full details call Sears Canada at 1-800-361-6665.

Sears Installation Service

For Sears professional installation of home appliances, garage door openers, water heaters, and other major home items, in the U.S.A. or Canada call 1-800-4-MY-HOME®.

SAFETY MESSAGES

We have provided many important safety messages in this manual and on your appliance. Always read and obey all safety messages.



This is the safety alert symbol.

This symbol alerts you to potential hazards that can result in property damage and/or serious bodily harm or death.

All safety messages will follow the safety alert symbol and either the word DANGER or WARNING. These words mean:

DANGER

Failure to follow these safety instructions may result in property damage and/or serious bodily harm or death.

WARNING

Failure to follow these safety instructions may result in property damage and/or serious bodily harm or death.

All safety messages will tell you what the potential hazard is, tell you how to reduce the chance of injury, and tell you what can happen if the instructions are not followed.

IMPORTANT SAFETY INSTRUCTIONS

WARNING

To reduce the risk of fire, electric shock, or injury to persons when using this appliance, follow basic precautions, including the following.

- Before use, the washer must be properly installed as described in this manual.
- Do not wash articles that have been previously cleaned in, washed in, soaked in, or spotted with gasoline, dry cleaning solvents, or other flammable or explosive substances, as they give off vapors that could ignite or explode.
- Do not add gasoline, dry cleaning solvents, or other flammable or explosive substances to the wash water. These substances give off vapors that could ignite or explode.
- Under certain conditions, hydrogen gas may be produced in a hot water system that has not been used for 2 weeks or more. **HYDROGEN GAS IS EXPLOSIVE.** If the hot water system has not been used for such a period, before using the washer, turn ON all hot water faucets and let the water flow from each for several minutes. This will release any accumulated hydrogen gas. As the gas is flammable, do not smoke or use an open flame during this time.
- Do not allow children to play on or in the washer. Close supervision of children is necessary when the washer is used near children.
- Before the washer is removed from service or discarded, remove the door to prevent children from climbing inside.
- Do not install or store the washer where it will be exposed to the weather or freezing temperatures.
- Do not tamper with controls.
- Do not repair or replace any part of the washer or attempt any servicing other than as described in this manual. We strongly recommend that any service be performed by a qualified individual.
- See Installation Instructions for grounding requirements.
- ALWAYS follow the fabric care instructions supplied by the garment manufacturer.
- Do not place items exposed to cooking oil in your washer. Items contaminated with cooking oils may contribute to a chemical reaction that could cause a load to catch fire.
- Use fabric softeners or products to eliminate static only as recommended by the manufacturer.
- This washer is not designed for maritime use or for mobile installations such as in RVs, aircraft, etc.
- Turn OFF the water taps and unplug the washer if the machine is to be left for an extended period of time, such as during vacations.
- Packaging material can be dangerous for children. There is a risk of suffocation! Keep all packaging from children.
- Always check the inside of the washer for foreign objects before loading laundry. Keep the door closed when not in use.

IMPORTANT SAFETY INSTRUCTIONS

WARNING

To reduce the risk of fire, electric shock, or injury to persons when using this appliance, follow basic precautions, including the following.

- **Unplug the washer before cleaning** to avoid the risk of electric shock.
- **Never use harsh chemicals, abrasive cleaners, or solvents to clean the washer.** They will damage the finish.
- **Do not put oily or greasy rags or clothing on top of the washer.** These substances give off vapors that could ignite the materials.
- **Do not wash items that are soiled with vegetable or cooking oil.** These items may contain some oil after laundering and may catch fire.
- **Disconnect this appliance from the power supply before attempting any user maintenance. Turning the controls to the OFF position does not disconnect this appliance from the power supply.** Failure to follow this warning can cause serious injury, fire, electrical shock, or death.
- **Do not combine detergents, fabric softeners, and other laundry products from different manufacturers for use in one load unless specified on the label.**
- **Do not mix chlorine bleach with ammonia or acids such as vinegar. Follow package directions when using laundry products.** Incorrect usage can produce poisonous gas, resulting in serious injury or death.
- **Do not reach into the washer while parts are moving. Before loading, unloading, or adding items, push in the cycle selector knob and allow the drum to coast to a complete stop before reaching inside.** Failure to follow this warning can cause serious injury, fire, electrical shock, or death.

WARNING

- **Refer to INSTALLATION INSTRUCTIONS for detailed grounding procedures.** Installation instructions are packed in the washer for installer's reference. If the washer is moved to a new location, have it checked and reinstalled by a qualified service person. Failure to follow this warning can cause serious injury, fire, electrical shock, or death.
- **Do not, under any circumstances, cut or remove the third (ground) prong from the power cord.** Failure to follow this warning can cause serious injury, fire, electrical shock, or death.
- **For personal safety, this appliance must be properly grounded.** Failure to follow this warning can cause serious injury, fire, electrical shock, or death.
- **The power cord of this appliance is equipped with a 3-prong (grounding) plug which mates with a standard 3-prong (grounding) wall outlet** to minimize the possibility of electric shock hazard from this appliance.
- **This washer must be plugged into a 120VAC, 60Hz grounded outlet.** Failure to follow this warning can cause serious injury, fire, electrical shock, or death.
- **Have the wall outlet and circuit checked by a qualified electrician to make sure the outlet is properly grounded.** Failure to follow this warning can cause serious injury, fire, electrical shock, or death.
- **Where a standard 2-prong wall outlet is encountered, it is your personal responsibility and obligation to have it replaced with a properly grounded 3-prong wall outlet.** Failure to follow this warning can cause serious injury, fire, electrical shock, or death.
- **Do not install on carpet. Install washer on a solid floor.** Failure to follow this warning can cause serious leak damage.
- **Do not remove grounding prong. Do not use an adapter or extension cord. Plug into a grounded 3-prong outlet.** Failure to follow these warnings can cause serious injury, fire, electrical shock, or death.
- **The washer should always be plugged into its own individual electrical outlet which has a voltage rating that matches the rating plate.** This provides the best performance and also prevents overloading house wiring circuits which could cause a fire hazard from overheated wires.
- **Never unplug your washer by pulling on the power cord.** Always grip plug firmly and pull straight out from the outlet. Failure to follow this warning can cause serious injury, fire, electrical shock, or death.
- **Immediately repair or replace all power cords that have become frayed or otherwise damaged. Do not use a cord that shows cracks or abrasion damage along its length or at either end.** Consult with a qualified service person. Failure to follow this warning can cause serious injury, fire, electrical shock, or death.
- **When installing or moving the washer, be careful not to pinch, crush, or damage the power cord.** Failure to follow this warning can cause serious injury, fire, electrical shock, or death.
- **The washer must be installed and electrically grounded by a qualified service person in accordance with local codes** to prevent shock hazard and assure stability during operation.
- **Washer is heavy. Two or more people may be needed to install and move the appliance.** Failure to do so can result in back or other injury.
- **Store and install the washer where it will not be exposed to temperatures below freezing or exposed to outdoor weather conditions.** Failure to follow this warning can cause serious leak damage.
- **To reduce the risk of electric shock, do not install the washer in humid spaces.** Failure to follow this warning can cause serious injury, fire, electrical shock, or death.

IMPORTANT SAFETY INSTRUCTIONS

⚠ WARNING: RISK TO CHILDREN

- **Do not allow children to play on or in the washer. Close supervision of children is necessary when the washer is used near children. As children grow, teach them the proper, safe use of all appliances.** Failure to comply with these warnings could result in serious personal injuries.
- **Destroy the carton, plastic bag, and other packing materials after the washer is unpacked. Children might use them for play. Cartons covered with rugs, bedspreads, or plastic sheets can become airtight chambers.** Failure to comply with these warnings could result in serious personal injuries.
- **Keep laundry products out of children's reach. To prevent personal injury, observe all warnings on product labels.** Failure to comply with these warnings could result in serious personal injuries.
- **Remove the door to the washing compartment to avoid the danger of children or small animals getting trapped inside before your washer is removed from service or discarded.** Failure to do so can result in serious personal injury or death.

GROUNDING REQUIREMENTS

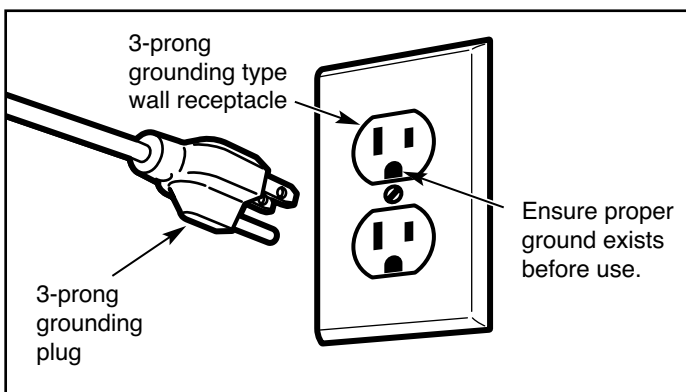
**IMPORTANT: Please read carefully.
TO CONNECT ELECTRICITY**

⚠ WARNING

Improper connection of the equipment-grounding conductor can result in risk of electric shock. Check with a qualified electrician or serviceman if you are in doubt as to whether the appliance is properly grounded. Do not modify the plug provided with the appliance. If it does not fit the outlet, have a proper outlet installed by a qualified electrician. Failure to follow these warnings can cause serious injury, fire, electrical shock, or death.

GROUNDING INSTRUCTIONS

This appliance must be grounded. In the event of malfunction or breakdown, grounding will reduce the risk of electric shock by providing a path of least resistance for electric current. This appliance is equipped with a cord having an equipment-grounding conductor and grounding plug. The plug must be plugged into an appropriate outlet that is properly installed and grounded in accordance with all local codes and ordinances.



FEATURES AND BENEFITS

KEY PARTS AND COMPONENTS

A DETERGENT DISPENSER

There are four compartments, one each for prewash (not used on this model) main wash, liquid bleach, and liquid fabric softener.

B CONTROL PANEL WITH LED DISPLAY

The easy-to-read LED display shows cycle options, settings, cycle status, and estimated time remaining during operation.

NOTE: Sensors in the washer automatically detect the size of the wash load to optimize washing time, based on the selected cycle and options.

C DIRECT-DRIVE MOTOR

The direct-drive motor provides improved performance and reliability while increasing energy efficiency. (Motor is not visible.)

D LARGE-CAPACITY STAINLESS STEEL DRUM

The ultra-large stainless steel drum offers extreme durability and is tilted to improve efficiency and allow easier access for large items.

E EASY-ACCESS LOCKING DOOR

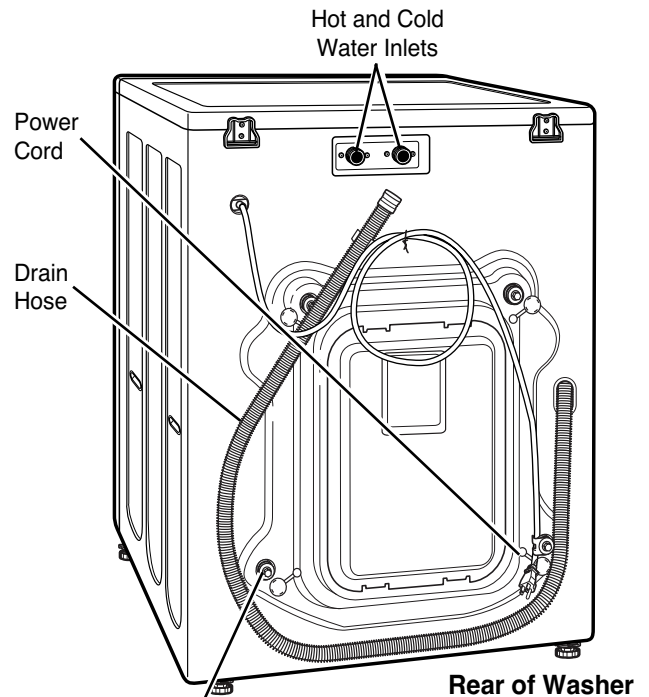
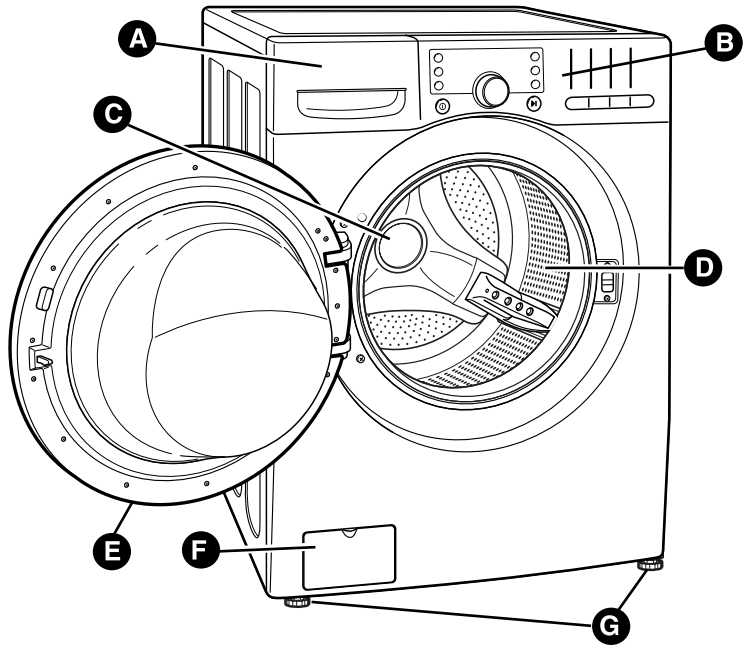
The extra-large door locks during operation and has a delay feature to prevent the door from being opened until it is safe to do so.

F FILTER ACCESS PANEL

Provides easy access to the drain pump filter, which allows you to clean the filter or retrieve lost items without a service call.

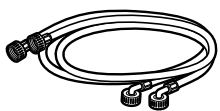
G LEVELING FEET

Four leveling feet (two in the front and two in the back) adjust to improve washer stability on uneven floors. Feet are adjusted and locked in place using the adjusting wrench included with the washer.

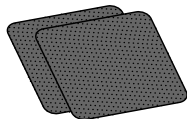


Shipping Bolts/Retainers (4)
NOTE: Bolts/retainers **MUST** be removed prior to operation. Keep for future use. See page 8.

Included Accessories



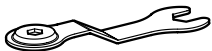
Hot and Cold Water Hoses



Non-skid pads



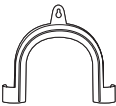
Caps (4)
(for covering shipping bolt holes)



Wrench (for removing shipping bolts and adjusting and locking leveling feet)



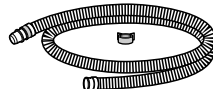
Tie Strap
(for securing drain hose)



Elbow Bracket
(for securing drain hose)

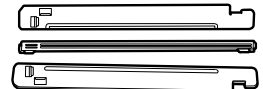
Optional Accessories

Drain Hose Extension



P/N 5215ER2002K

Stacking kit (For dryer)



D26 17002 (White)
 D26 17008 (Ginger)
 D26 17009 (Chili Pepper)

INSTALLATION REQUIREMENTS

KEY DIMENSIONS AND SPECIFICATIONS

Description	Front-Loading Washer
Rated Voltage/Frequency	120 VAC @ 60 Hz.
Dimensions	27" (W) X 29 ³ / ₄ " (D) X 38 ¹¹ / ₁₆ " (H), 51 ¹ / ₈ " (D, door open) 68.6 cm (W) X 75.6 cm(D) X 98.3 cm(H), 129.8 cm (D, door open)
Net Weight	183 lb. (83 kg)

CHOOSE THE PROPER LOCATION

! WARNING

- **Washer is heavy! Two or more people are required when moving and unpacking the washer.** Failure to do so may result in damage to property or serious bodily harm.
- **Store and install the washer where it will not be exposed to temperatures below freezing or exposed to outdoor weather conditions.** Failure to follow this warning can cause serious injury, fire, electrical shock, or death.
- **Properly ground washer to conform with all governing codes and ordinances.** Failure to follow this warning can cause serious injury, fire, electrical shock, or death.
- **To reduce the risk of electric shock, do not install the washer in humid spaces.** Failure to follow this warning can cause serious injury, fire, electrical shock, or death.
- The base opening must not be obstructed by carpeting when the washer is installed on a carpeted floor.
- **Do not remove ground prong. Do not use an adapter or extension cord. Plug into a grounded 3-prong outlet.** Failure to follow this warning can cause serious injury, fire, electrical shock, or death.

Power Outlet

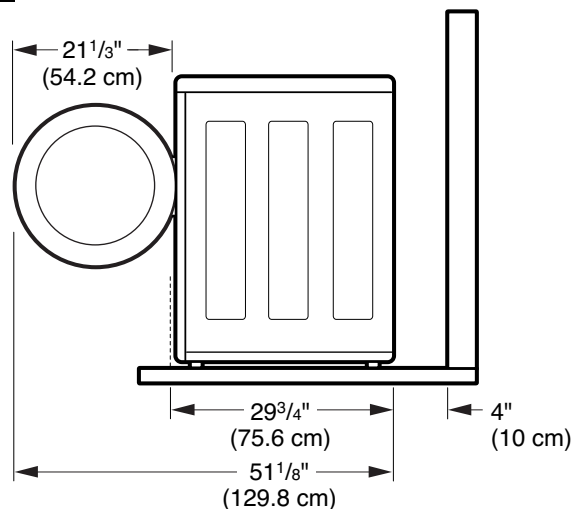
- The power outlet must be within 60 in. (1.5 m) of either side of the washer.
- The appliance and outlet must be positioned so that the plug is easily accessible.
- Do not overload the outlet with more than one appliance.
- The outlet must be grounded in accordance with current wiring codes and regulations.
- Time-delay fuse or circuit breaker is recommended.

NOTE: It is the personal responsibility and obligation of the product owner to have a proper outlet installed by a qualified service person.

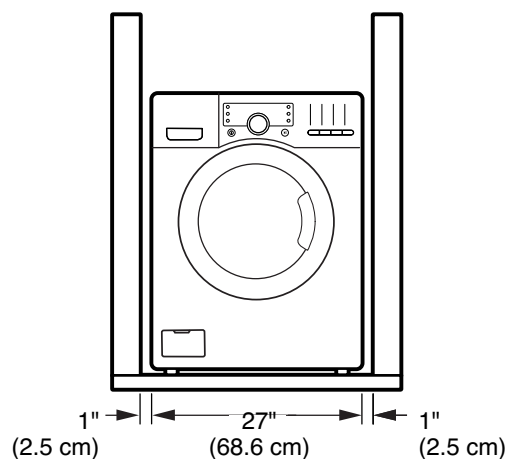
FLOORING

- To minimize noise and vibration, the washer **MUST** be installed on a solidly constructed floor. See the NOTE at right.
- Allowable slope under the entire washer is a maximum 1" difference from side to side or from front to back.
- Carpeting and soft tile surfaces are not recommended.
- Never install the washer on a platform or weakly supported structure.

CLEARANCES



To ensure sufficient clearance for water lines and airflow, allow minimum clearances of at least 1 in. (2.5 cm) at the sides and 4 in. (10 cm) behind the unit. Be sure to allow for wall, door, or floor moldings that may increase the required clearances.



Allow at least 21¹/₄ in. (54 cm) in front of the washer to open the door.

NOTE: Please note that the floor must be strong and rigid enough to support the weight of the washer, when fully loaded, without flexing or bouncing. If your floor has too much flex in it, you may need to reinforce it to make it more rigid. A floor that is adequate for a top-loading washer may not be rigid enough for a front loading washer, due to the difference in the spin speed and direction. If the floor is not solid, your washer may vibrate and you may hear and feel the vibration throughout your house.

INSTALLATION INSTRUCTIONS

UNPACKING AND REMOVING SHIPPING BOLTS

When removing the washer from the carton base, be sure to remove the foam tub support in the middle of the carton base. See drawing below.

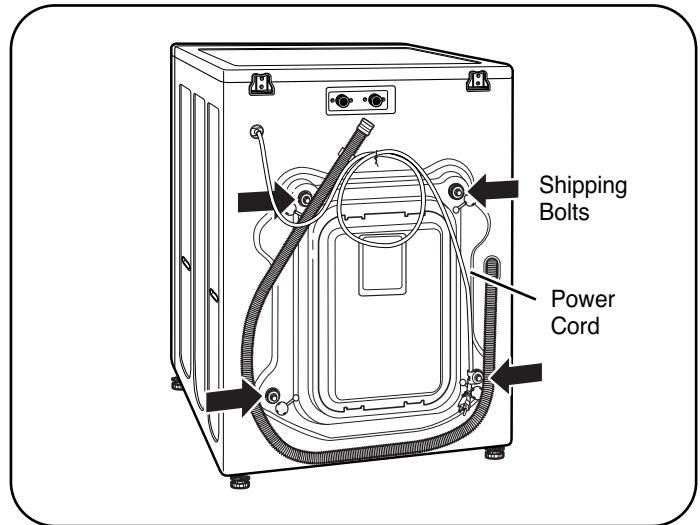
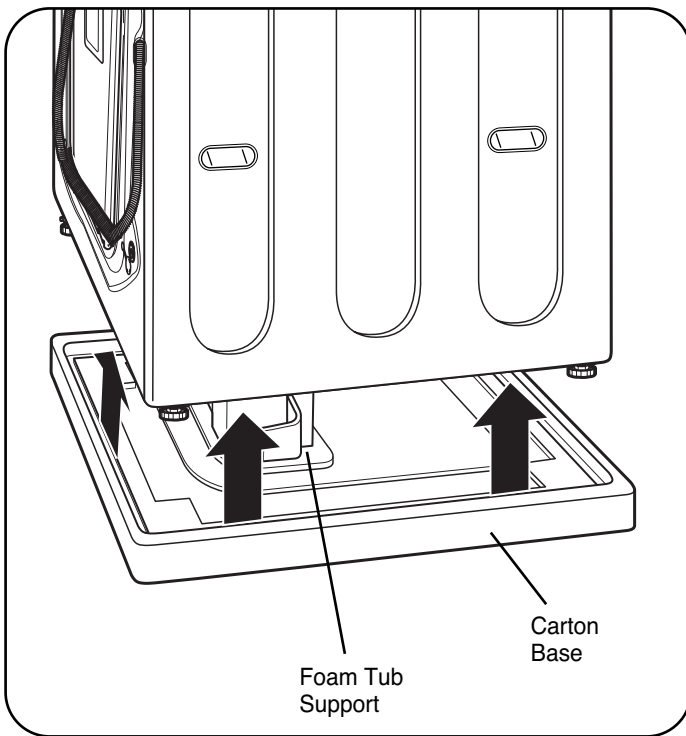
If you must lay the washer down to remove the base packaging materials, always protect the side of the washer and lay it carefully on its side. **DO NOT** lay the washer on its front or back.

To prevent internal damage during transport, the washer is equipped with 4 shipping bolts and plastic retainers.

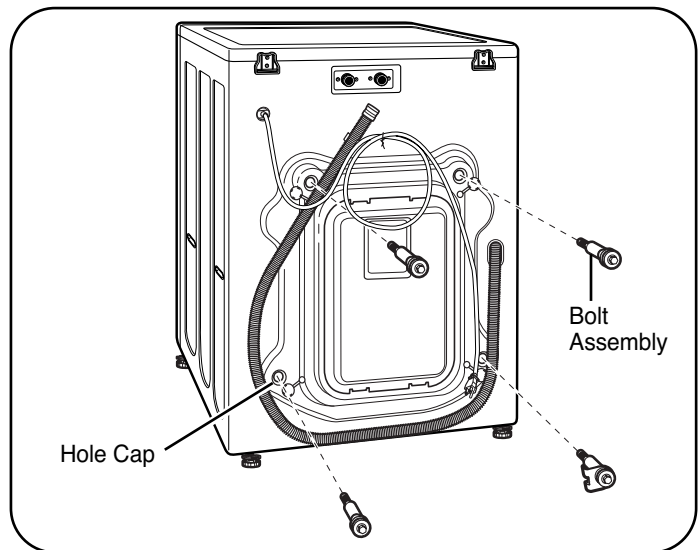
IMPORTANT:

- These shipping bolts and retainers **MUST NOT** be removed until just before moving the washer into its final position.
- These bolts and retainers **MUST** be removed before operating the washer.
- Failure to remove shipping bolts and retainers may cause severe vibration and noise, which can lead to permanent damage to the washer.

NOTE: The cord is secured to the back of the washer with a shipping bolt to help prevent operation with shipping bolts in place.



1. Starting with the bottom 2 shipping bolts, use the included wrench to fully loosen the 4 shipping bolts by turning them counterclockwise.



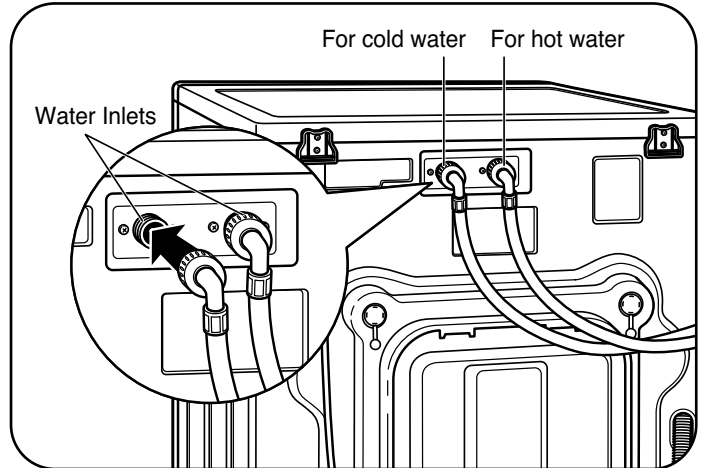
2. Remove the bolt assemblies by wiggling them slightly while pulling.
3. Locate the four hole caps included in the accessory pack and install them in the shipping bolt holes.

NOTE: Save the bolt assemblies for future use. To prevent damage to internal components, the bolt assemblies must be installed when transporting the washer.

INSTALLATION INSTRUCTIONS

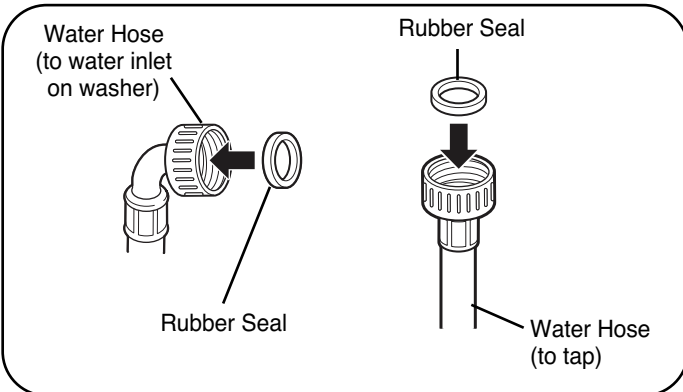
CONNECTING THE WATER LINES

- **IMPORTANT:** Use new hoses when installing the washer. Do NOT reuse old hoses.
- **IMPORTANT:** Use ONLY the inlet hoses provided with this laundry product. Aftermarket hoses are not guaranteed to fit or function correctly. Other hoses may not tighten correctly and could cause leaks. Subsequent damage to product or property will not be covered under the terms of the product warranty.
- Water supply pressure must be between 14.5 PSI and 116 PSI (100~800 kPa). If the water supply pressure is more than 116 PSI, a pressure reducing valve must be installed.
- Periodically check the hose for cracks, leaks, and wear, and replace the hose if necessary.
- Make sure that the water lines are not stretched, pinched, crushed, or kinked.
- The washer should never be installed or stored in a location subject to freezing temperatures. Damage to the water lines and internal mechanisms of the washer can result. If the washer was exposed to freezing temperatures prior to installation, allow it to stand at room temperature for several hours before use and check for leaks prior to operation.

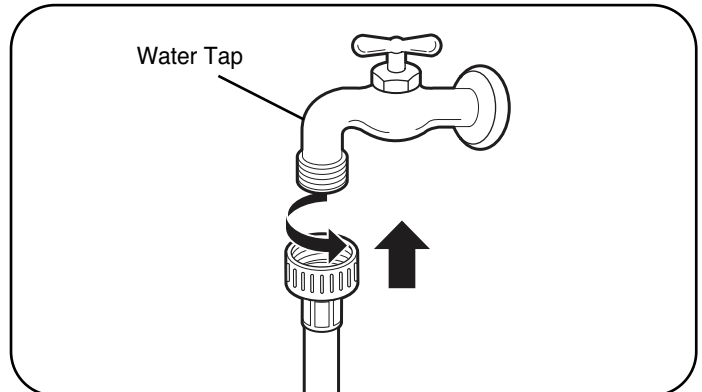


2. Attach the red, hot water line to the hot water inlet on the back of the washer. Attach the blue, cold water line to the cold water inlet on the back of the washer. Tighten the fittings securely.

NOTE: Be careful not to cross-thread the hose fittings since this will damage the valve and could result in property damage from leaks.



1. Inspect the threaded fitting on each hose and make sure there is a rubber seal in place in both ends.



3. Connect the water supply hoses to the HOT and COLD water faucets tightly by hand and then tighten another 2/3 turn with pliers. Turn ON the water faucets and check for leaks.

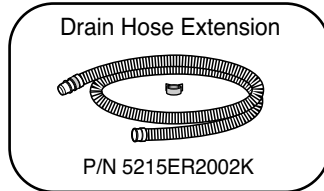
INSTALLATION INSTRUCTIONS

CONNECTING THE DRAIN HOSE

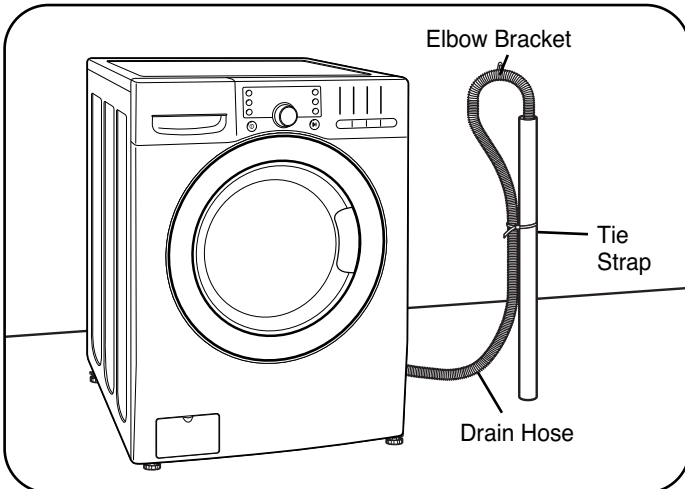
- The drain hose should always be properly secured. Failure to properly secure the drain hose can result in flooding and property damage.
- Do not install the end of the drain hose higher than 96 in. (244.8 cm) above the bottom of the washer.
- The drain must be installed in accordance with any applicable local codes and regulations.
- Make sure that the drain hose is not stretched, pinched, crushed, or kinked.

NOTE:

A drain hose extension kit is available if the drain hose is not long enough. Do not extend drain hose more than 6 feet, as this will cause poor draining resulting in poor wash and spin performance.



Option 1: Standpipe



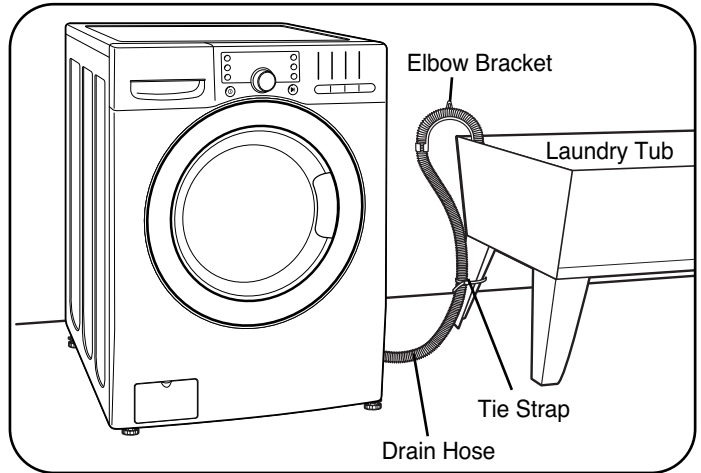
The elbow bracket should be installed near the end of the drain hose. Insert the end of the drain hose into the standpipe. Use tie strap to secure the drain hose in place.

NOTE:

- Total height of the hose end should not exceed 96 in. (244.8 cm) from the bottom of the washer.
- The drain hose should be inserted no more than 8–12 inches into the standpipe.

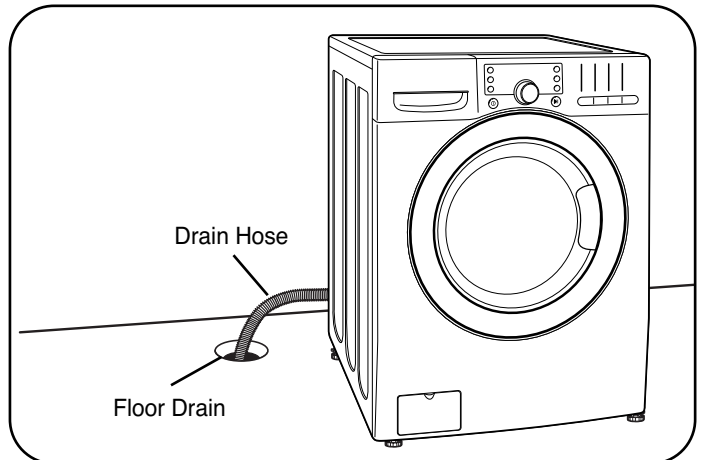
NOTE: If the drain hose is extended more than 4 inches beyond the end of the end of the elbow bracket, mold, or microorganisms could spread to the inside of the washer.

Option 2: Laundry Tub



The elbow bracket should be installed near the end of the drain hose. Hang the end of the drain hose over the side of the laundry tub. Use tie strap to secure the drain hose in place.

Option 3: Floor Drain

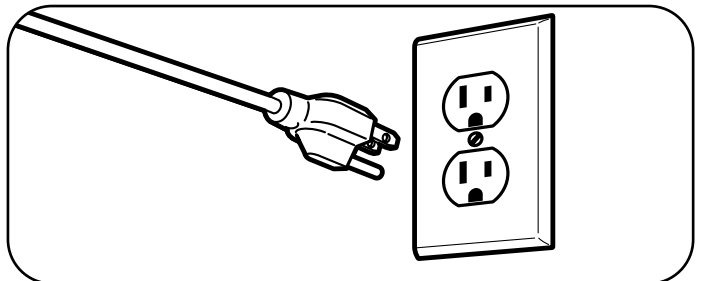


Insert the end of the drain hose into the floor drain. Secure the hose to prevent it from moving.

CONNECT TO THE POWER SUPPLY

Washer should be plugged into a 120-VAC, 60-Hz. grounded 3-prong outlet.

Plug in the washer.



INSTALLATION INSTRUCTIONS

LEVELING THE WASHER

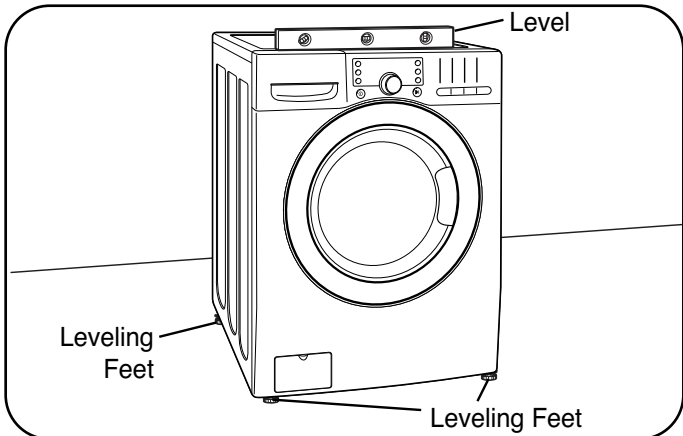
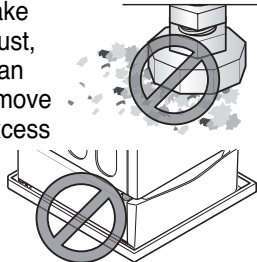
The drum of your new washer spins at very high speeds. To minimize vibration, noise, and unwanted movement, the floor must be a level, solid surface.

NOTE: Adjust the leveling feet only as far as necessary to level the washer. Extending the leveling feet more than necessary can cause the washer to vibrate.

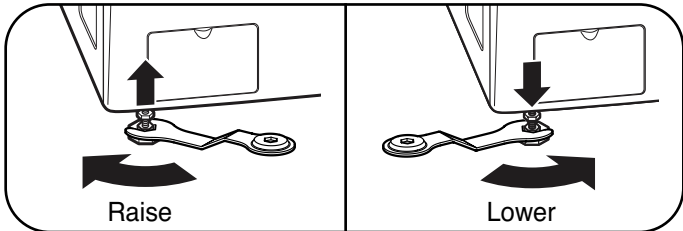
NOTE: Before installing the washer, make sure the floor is clean, dry and free of dust, dirt, water and oils so the washer feet can not slide easily. Leveling feet that can move or slide on the floor can contribute to excess vibration and noise due to poor contact with the floor. See **INSTALLATION OF NON-SKID PADS** below for more information.

NOTE: If a drip pan must be used, take extra care to follow the instructions provided with the drip pan and make sure the leveling feet are adjusted for firm and even contact with the pan. Use of drip pans and failure to properly level the machine may result in increased vibration and noise during operation.

- All four leveling feet must rest solidly on the floor. Attempt to rock the washer from corner to corner to make sure that all four leveling feet are in firm contact with the floor.

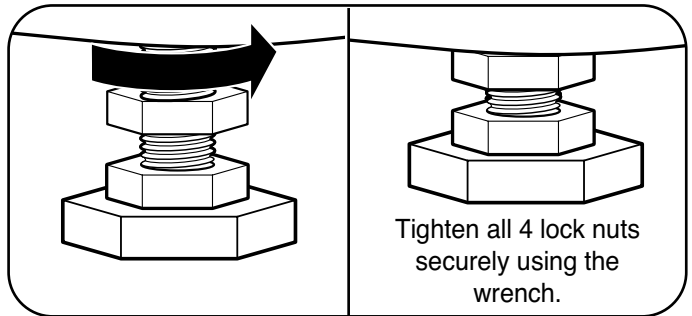


1. Position the washer in the final location, taking special care to not pinch, strain, or crush the water and drain lines. Place a level across the top of the washer.



2. Loosen locknuts using the wrench on all 4 leveling feet until you can turn the feet with the included wrench. Turning the leveling foot clockwise lowers the foot and raises the washer; turning the foot counterclockwise raises the foot and lowers the washer. Raise or lower the leveling feet until the washer is level from side to side and front to back. Make sure that all 4 leveling feet are in firm contact with the floor. Use a level when adjusting the feet to make sure the washer is level.

NOTE: If you are installing the washer on the optional pedestal, the washer leveling feet should be fully retracted. Use the leveling feet on the pedestal to level the washer.



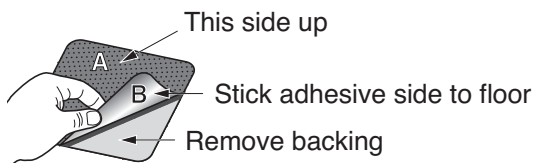
3. Once the washer is level from side to side and front to back, use the adjusting wrench to tighten all four lock nuts securely to prevent the legs from getting out of adjustment during operation. Make sure that all 4 leveling feet are in firm contact with the floor.

NOTE: To make sure that the washer is properly level, run the washer with a test load: place a medium-sized load of laundry in the machine. Then press **POWER**, select **EXPRESS WASH**, and then press the **START/PAUSE** button. See the following sections for additional information on cycle selection and operation. Verify that the washer does not rock or vibrate excessively during the spin cycle. If the washer vibrates or shakes, adjust the leveling feet, while the washer is spinning, until the vibrations are reduced to a minimum.

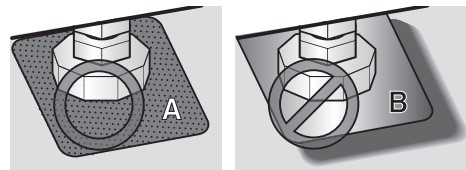
INSTALLATION OF NON-SKID PADS (optional)

Some floor surfaces are too slippery to prevent the washer from moving on the floor during heavily unbalanced loads. While it is normal for an occasional load to be out of balance, excess noise and vibration can result from the washer moving out of position. If these conditions are encountered, follow the instructions below for installation of the non-skid pads. These pads will help prevent the washer from moving during heavy out of balance conditions thereby reducing noise and vibration.

Non-skid pads



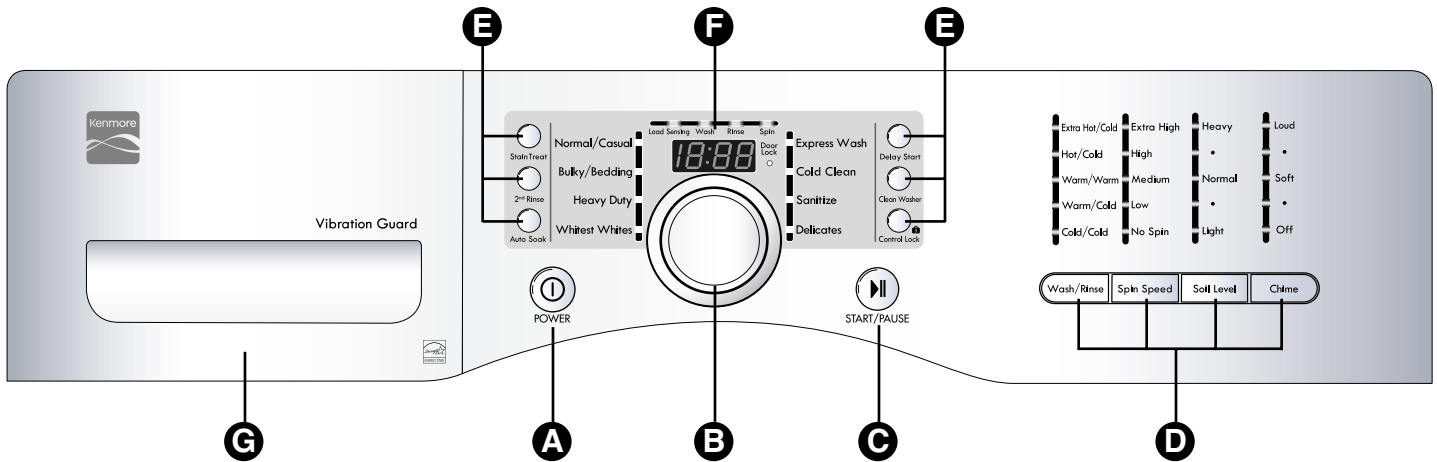
* Place the pads under both front feet.



HOW TO USE

WARNING: To reduce the risk of fire, electric shock, or injury to persons, read and follow this entire manual, including the Important Safety Instructions, before operating this washer.

CONTROL PANEL FEATURES



A POWER (ON/OFF) BUTTON

Press to turn the washer ON. Press again to turn the washer OFF.

NOTE: Pressing the POWER button during a cycle will cancel that cycle and any load settings will be lost. The door will unlock after a brief pause unless the water level or temperature is too high.

B CYCLE SELECTOR KNOB

Turn this knob to select the desired cycle. Once the desired cycle has been selected, the standard presets will be shown in the display. These settings can be adjusted using the cycle setting buttons anytime before starting the cycle. (See the cycle guide on page 14 for allowable settings. To protect your fabrics, not all settings are allowed in all cycles.)

C START/PAUSE BUTTON

Press this button to start the selected cycle. If the washer is running, use this button to pause the cycle without losing the current settings.

NOTE : If you do not press the START/PAUSE button within 4 minutes of selecting a cycle, the washer automatically turns OFF.

D CYCLE MODIFIER BUTTONS

Use these buttons to adjust the desired cycle options for the selected cycle. The lights above the buttons show the current selection. See page 19 for a complete description.

NOTE : Not all settings are available on all cycle selections. See chart on page 14 for details.

E SPECIAL CYCLE AND OPTION BUTTONS

These buttons are used to activate special cycles or options. See page 20 for details.

F TIME AND STATUS DISPLAY

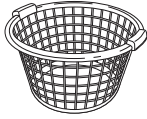
The display shows the estimated time remaining, cycle status, and door lock status. See page 18 for a complete description.

G DISPENSER

Dispenser drawer. This drawer contains the compartments for detergent and additives. See pages 16 -17 for complete information.

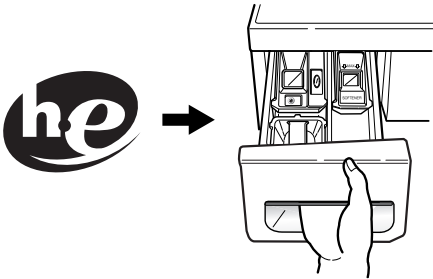
HOW TO USE

OPERATING THE WASHER



1 SORT LAUNDRY AND LOAD WASHER

Refer to page 15.



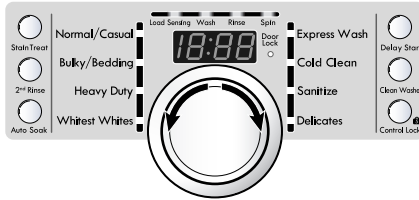
2 ADD DETERGENT AND OTHER PRODUCTS

Open the dispenser drawer and add detergent to the main wash compartment in the dispenser drawer. Add bleach and fabric softener as desired. See pages 16 and 17 for important information on detergents and dispenser use.



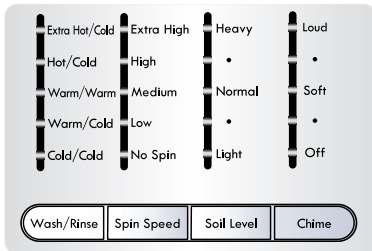
3 TURN ON THE WASHER

Press the POWER button to turn ON the washer. The lights around the Cycle Selector Knob will illuminate and a chime will sound, if turned on. Refer to page 12.



4 SELECT A CYCLE

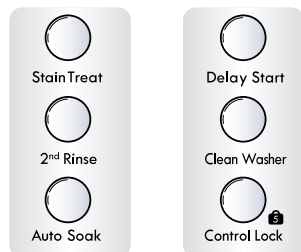
Turn the Cycle Selector Knob either direction to select the desired cycle. The preset Wash/Rinse Temperature, Spin Speed, Soil Level, and Option settings for that cycle will be shown. Refer to page 12.



5 SELECT CYCLE MODIFIERS

Default settings for the selected cycle can now be changed if desired. This can be done using the cycle modifier buttons as shown on page 19 (Wash/Rinse, Spin Speed, Soil Level, and Chime).

NOTE: To protect your fabrics, not all modifiers are available on all cycles.



6 SELECT CYCLE OPTIONS

Cycle options can also be added using the options buttons as shown on page 20 (Stain Treat, 2nd Rinse, Control Lock, Auto Soak, Clean Washer and Delay Start).

NOTE: Not all options are available on all cycles.



7 BEGIN CYCLE

Press the START/PAUSE button to begin the cycle. Once the cycle has been started, pressing the START/PAUSE again will pause the washer and retain the existing settings for up to 4 minutes.

HOW TO USE

CYCLE GUIDE

The cycle guide below shows the default settings, available options and recommended fabric types for each cycle. Allowable modifier adjustments are shown below the default setting for each cycle.

● = Available option

■ = Default setting

Cycle				Modifiers			Options		
Cycle	Fabric or Load Type	Display Time (Min.)	Wash Motion	Wash/Rinse Temperature	Spin Speed	Soil Level	AUTO SOAK	2 nd RINSE	STAIN TREAT
Normal/ Casual	Cotton, linen, towels, shirts, sheets, jeans, mixed loads	50-59	○	Warm/Cold	High	Normal	●	●	●
				Warm/Warm Hot/Cold Cold/Cold	Extra High No Spin Low Medium	Heavy Light			
Bulky/ Bedding	Large items such as blankets and comforters	59		Warm/Cold	Low	Normal	●	●	●
				Warm/Warm Hot/Cold Cold/Cold	Medium No Spin	Heavy Light			
Heavy Duty	Heavy soiled Cotton Fabrics	74-80	○	Warm/Cold	Extra High	Heavy	●	●	●
				Warm/Warm Hot/Cold Cold/Cold	No Spin Low Medium High	Light Normal			
Whitest Whites	White Fabrics	69-75	○	Hot/Cold	High	Normal	●	●	●
				Cold/Cold Warm/Cold Warm/Warm	Extra High No Spin Low Medium	Heavy Light			
Express Wash	Lightly soiled clothing and small loads	20		Hot/Cold	Extra High	Light		●	
				Cold/Cold Warm/Cold Warm/Warm	No Spin Low Medium High	Normal Heavy			
Cold Clean	Small loads of cotton, linen, towels, shirts, sheets, jeans, mixed loads	57-63	○	Cold/Cold	High	Normal	●	●	
					Extra High No Spin Low Medium	Light			
Sanitize	Heavily soiled items, such as work clothes, diapers, etc.	101-107		Extra Hot/Cold	High	Normal	●	●	●
					Extra High No Spin Low Medium	Heavy Light			
Delicates	Dress shirts/blouses nylons, sheer or lacy garments	42		Cold/Cold	Medium	Normal	●	●	
				Warm/Cold Warm/Warm	No Spin Low	Heavy Light			

NOTE: To protect your garments, not every wash/rinse temperature, spin speed, soil level, or option is available with every cycle.

○ **NOTE:** These cycles use various wash motions to enhance cleaning and/or fabric care performance. These wash motions may sound different at different stages of the wash cycle. This is normal.

NOTE: The washer automatically adjusts the wash time for the amount of laundry, water pressure, water heating time and other operating condition.




SORTING WASH LOADS

Fabric Care Labels




Many articles of clothing include a fabric care label. Using the chart below, adjust the cycle and options selections to care for your clothing according to the manufacturer's recommendations.

Fabric Care Labels




Machine wash cycle

		
Normal	Permanent press/ wrinkle resistant	Gentle/ delicate




Hand wash

		
Hand wash	Do not wash	Do not wring

Water temperature

		
Hot (50°C/120°F)	Warm (40°C/105°F)	Cold/cool (30°C/85°F)

Bleach symbols

		
Any bleach (when needed)	Only non-chlorine bleach (when needed)	Do not bleach

Grouping Similar Items

For the best washing results and to reduce the possibility of damage to the clothing, care should be taken to sort the clothing into loads that are made up of similar items. Mixing different fabric types and/or soil levels can poor wash performance, color transfer or discoloration, fabric damage or linting. Fabrics should be sorted into groups as described below.

Colors

Sort articles by color. Wash dark clothes together in a separate load from light colors or whites. Mixing dark clothes with light clothes can result in dye transfer or discoloration of the lighter clothes.

Soil Level

Wash heavily soiled clothes together. Washing lightly soiled clothes in the same load with heavily soiled clothes could result in poor wash performance for the lightly soiled clothing.

Fabric Type

Delicate articles should not be mixed with heavier or sturdier fabric types. Washing delicates in a load with heavy fabrics can result in damage to the more delicate fabrics. Washing heavier fabrics in a delicate load can result in poor wash performance for the heavier fabrics and possible damage to the delicates.

Lint Type

Some fabrics attract and bind lint to them while others give off lint in the laundry process. Avoid mixing these lint collectors and lint producers in the same load. Mixing these fabrics will result in pilling and linting on the lint collectors. (For example, lint collector – knit sweater; lint producer – terrycloth towels)

Loading the Washer

- **Check all pockets to make sure that they are empty.** Items such as clips, matchboxes, pens, coins, and keys can damage both your washer and your clothes.
- Close zippers, hooks, and drawstrings to prevent these items from snagging or tangling on other clothes.
- Pretreat heavily stained areas for best results.
- Combine large and small items in a load. Load large items first.
- Large items should not be more than half of the total wash load.
- The washer can be fully loaded, but the drum should not be tightly packed with items. The door of the washer should close easily.
- To prevent an out-of-balance load, do not wash single items. Add one or two similar items to the load. Large, bulky items, such as a blanket, comforter, or bedspread, should be washed individually.
- Do not wash or spin waterproof items, such as rain coats, sleeping bags, etc.
- When unloading the washer, check under the door seal for small items.

NOTE: Make sure the door seal area is clear when closing the door. Overloading the washer can cause items to get caught between the door and the seal. This can damage both the items and the seal.



**DO NOT OVERLOAD THE DRUM
MAKE SURE CLOTHING IS NOT
CAUGHT IN THE DOOR GASKET**

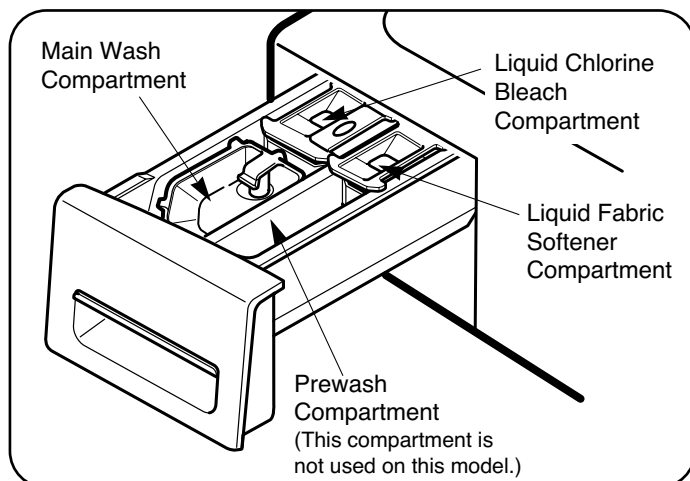
Sort Laundry...

by Colors	by Soil	by Fabric	by Lint
Whites	Heavy	Delicates	Lint Producer
Lights	Normal	Easy Care	Lint Collector
Darks	Light	Study	

ABOUT THE DISPENSER

The automatic dispenser consists of four compartments which hold:

- Liquid chlorine bleach.
- Liquid fabric softener.
- Liquid or powdered detergent for prewash. (This compartment is not used on this model.)
- Liquid or powdered detergent and color-safe bleach for main wash.



Pre-Wash Detergent Compartment

The dispenser drawer has a compartment that is labeled "Prewash". However, this model does not include a prewash option. Do not put detergent in this compartment. Detergent in this compartment will not be dispensed and will need to be manually cleaned out.

Main Wash Detergent Compartment

This compartment holds laundry detergent for the main wash cycle; this detergent is added to the load at the beginning of the cycle. Always use HE (High-Efficiency) detergent with your washing machine. Either powdered or liquid detergent may be used.

Never exceed the manufacturer's recommendations when adding detergent. Using too much detergent can result in detergent buildup in clothing and the washer.

NOTE: Liquid or powdered color-safe bleach may be added to the main wash compartment with detergent of the same type. **DO NOT** add liquid or powdered color-safe bleach to the bleach dispenser. **DO NOT** mix liquid and powdered cleaning agents within the same compartment.

Liquid Bleach Compartment

This compartment holds liquid chlorine bleach, which will be dispensed automatically at the proper time during the wash cycle.

- Do not add powdered or liquid color-safe bleach to this compartment. The bleach compartment is designed to dispense liquid chlorine bleach only. Powdered or liquid color-safe bleach will not dispense properly.
- Always follow the manufacturer's recommendations when adding bleach. Do not exceed the maximum fill line since this can cause the bleach to be dispensed immediately causing damage to fabrics. Using too much bleach can damage fabrics.
- Never pour undiluted liquid chlorine bleach directly onto the load or into the drum. Fabric damage can occur.

Fabric Softener Compartment

This compartment holds liquid fabric softener, which will be automatically dispensed during the final rinse cycle.

Never exceed the manufacturer's recommendations when adding softener. Using too much fabric softener can result in buildup in clothing and the washer. Either powdered or liquid fabric softener may be used.

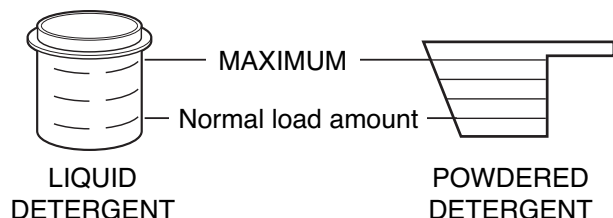
- Always follow the manufacturer's recommendations when adding fabric softener. Do not exceed the maximum fill line. Using too much fabric softener may stain clothes.
- Dilute concentrated fabric softeners with warm water. Do not exceed the maximum fill line.
- Never pour fabric softener directly onto the load or into the drum.

DETERGENT AND DISPENSER USE

A Word About Detergents

HE detergents produce fewer suds, dissolve more efficiently to improve washing and rinsing performance, and help to keep the interior of your washer clean.

Using non-HE detergent may cause oversudsing and unsatisfactory performance which could result in error codes, cycle failure, and machine damage.



For proper wash performance, always measure the detergent using the measure provided with the detergent by the manufacturer.

The normal amount needed for average loads is less than 1/2 of the recommended maximum. **Use less detergent** for soft water, light soil or smaller loads. **Never** use more than the maximum amount recommended by the detergent manufacturer.



**Designed to use only
HE (High-Efficiency) detergent**

IMPORTANT: Your washing machine is designed for use with only High-Efficiency (HE) detergents. HE detergents are formulated specifically for front-load washers and contain suds-reducing agents. Always look for the HE symbol when purchasing detergent.

IMPORTANT: Not all detergents are the same. Careful attention must be paid to the amount of detergent used to avoid overusing, poor rinsing and detergent buildup in clothing, and residue buildup that can contribute to odors in the machine. **NEVER** use a cup or scoop other than that supplied by the manufacturer of the detergent you are using. Never use more than the maximum amount recommended by the manufacturer of the detergent.

While HE detergents are designed for this type of washing machine, care must be used when measuring the detergent. For most normal loads, no more than 1/2 to 3/4 of a cup or scoop of HE detergent should be used.

NOTE: Extra care must be exercised when using **2X** and **3X** concentrated detergents because even a little bit extra can contribute to the problems mentioned above.

NOTE: Detergents designated as HE-COMPATIBLE may not provide optimal results.

Filling the Dispenser

To add detergent, bleach, and fabric softener to the automatic dispenser:

- 1 Open the dispenser lid.
- 2 Load the laundry products into the appropriate compartments.
- 3 Close the lid before starting the cycle.

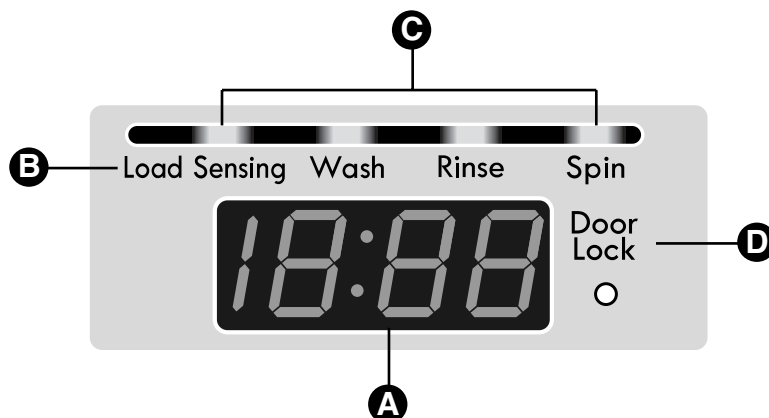
NOTE: It is normal for a small amount of water to remain in the bleach and softener compartments at the end of the cycle.

IMPORTANT: Do not place or store laundry products, such as detergent, bleach, or liquid fabric softener, on top of your washer or dryer. Wipe up any spills immediately. These products can damage the finish and controls.

NOTE: Do not put detergent or other laundry products in the Prewash compartment. This compartment is not used on this model

TIME AND STATUS DISPLAY

The time and status display shows the estimated time remaining, cycle progress, and door lock status.



A ESTIMATED TIME REMAINING

When the START/PAUSE is pressed, the washer automatically detects the wash load (weight) and optimizes the washing time, based on the selected cycle and options. The display will then indicate the estimated time remaining for the selected wash cycle.

NOTE:

- The time shown is estimated. For example, the time displayed may pause for a period of time while the machine is heating the water or balancing the load. Under certain conditions, the machine can pause for extended periods of time.
- Estimated time is based on normal operating conditions. Several external factors (room temperature, incoming water temperature, etc.) also affect the length of estimated time vs. actual time.

B LOAD-SENSING INDICATOR

This light will illuminate at the beginning of the cycle while the control measures the size of the load. Once the size has been determined, the control will adjust the cycle for optimum performance. Estimated time remaining will not be displayed until the load size has been determined and may be different for each load.

C CYCLE STATUS INDICATOR

These status LEDs illuminate to indicate which portion of the cycle is currently running. A blinking light indicates the active portion of the cycle. When that portion is complete, the light will remain steady.

D DOOR LOCK INDICATOR

Indicates that the door is locked. The washer door will lock while the washer is operating. The door can be unlocked by pressing the START/PAUSE to pause the washer.

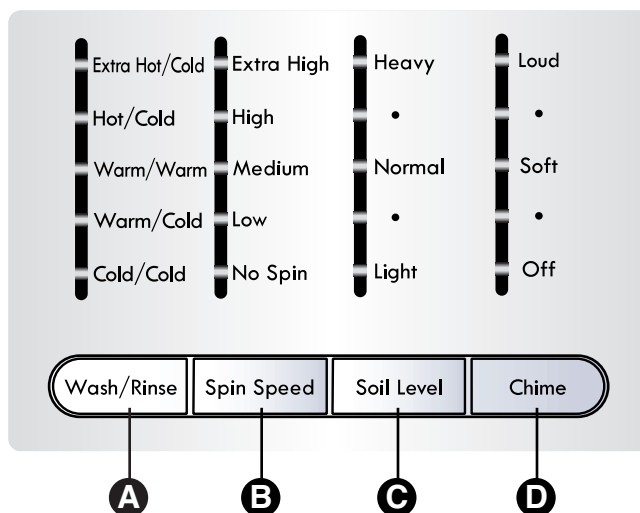
NOTE:

- If the temperature in the washer is too high, the door cannot be unlocked until the washer has cooled.
- If the water level is too high, the door will not unlock. To drain the water, press POWER, then press the SPIN SPEED button without selecting a cycle. Press START/PAUSE and the water will be drained and the clothes will be spun out. Do not try to force the door open, as it will damage the door.

CYCLE MODIFIER BUTTONS

Each cycle has default settings that are selected automatically. You may also customize these settings using the cycle modifier buttons. Press the button for the desired modifier until the indicator light for the desired value is lit. The washer automatically adjusts the water level for the type and size of wash load for best results and maximum efficiency. Due to the high-efficiency nature of this product, water levels may be much lower than expected. This is normal operation and cleaning/rinsing performance will not be compromised.

NOTE: To protect your garments, not every wash/rinse temperature, spin speed, soil level, or option is available with every cycle. See the Cycle Guide on page 14 for details.



A WASH/RINSE

Selects the wash and rinse temperature combination for the selected cycle. Press the WASH/RINSE button until the indicator light for the desired setting is lit.

- Your washer features a heating element to boost the hot water temperature for Extra Hot settings. This provides improved wash performance at normal water heater settings.
- Select the water temperature suitable for the type of load you are washing. Follow the garment fabric care labels for best results.
- Warm rinses are regulated at approximately 86°F (30°C).
- Warm rinses leave the clothes drier than cold rinses, but will result in increased energy consumption and greater wrinkling of clothes.
- Cold rinses use less energy. The actual rinse temperature depends on the temperature of the cold water at the faucet.

B SPIN SPEED

This extracts more water from clothes, reducing drying time and saving energy.

Press the SPIN SPEED button until the indicator light for the desired setting is lit. Some fabrics, such as delicates, require a slower spin speed.

The Drain & Spin cycle:

1. Press the POWER button to turn ON the washer.
2. Press the SPIN SPEED button to select the desired spin speed. For drain only, select the NO SPIN option.
3. Press the START/PAUSE button. The water will be drained and the clothes will be tumbled before the spin routine begins.

C SOIL LEVEL

Adjusts the selected cycle to allow more time for heavily soiled clothes or less time for lightly soiled clothes. Press the SOIL LEVEL button until the indicator light for the desired setting is lit.

D CHIME

Press repeatedly to adjust the volume of the chime. You may turn the end-of-cycle chime and keypad tones on or off with the CHIME button.

CYCLE OPTION BUTTONS

Your washing machine features several additional cycle options to customize cycles to meet your individual needs.

- 1 Turn ON the washer and turn the cycle selector knob to select the desired cycle.
- 2 Use the cycle modifier buttons to adjust the settings for that cycle.
- 3 Press the cycle option button(s) for the option(s) you would like to add. The button will light when that option is selected.
If the selected option is not allowed for the selected cycle, the chime will sound twice to inform you that it is not allowed.
- 4 Press the START/PAUSE button to start the cycle. The washer will start automatically after a brief delay for locking the door.

NOTE: To protect your garments, not every option is available with every cycle. See the CYCLE GUIDE on page 14 for details.

NOTE: If the START/PAUSE button is not pressed within 4 minutes, the control will shut off and the settings will be lost.

DELAY START



Delay Start

Once you have selected the cycle and other settings, press this button to delay the start of the wash cycle. Each press of the button increases the delay time by one hour, for up to 19 hours. Once the desired delay time is set, press the START/PAUSE button to start the delay time.

2nd RINSE



2nd Rinse

This option will add an extra rinse to the selected cycle. Use this option to help ensure the removal of detergent or bleach residue from fabrics.

STAIN TREAT



Stain Treat

Use this option for heavily soiled loads that need improved stain treatment. When STAIN TREAT is selected, the water temperature for the selected cycle will begin as warm water to help prevent the setting of certain types of stains. Then as the cycle progresses, the water will be heated to higher temperatures to help remove stains that require treatment at higher temperatures. This option is designed for optimum stain removal.

NOTE:

- If STAIN TREAT is selected with the SANITARY cycle, the cycle will begin with very hot water since that is default for that cycle and cannot be changed.

AUTO SOAK



Auto Soak

Use the AUTO SOAK option to presoak garments to help remove difficult spots or stains on fabrics. This option provides a 30 minute presoak prior to the start of the selected cycle.

- 1 Add detergent only to the Main wash compartment of the dispenser drawer. (See "Using the Dispenser" on pages 16-17.)
- 2 Select desired cycle.
- 3 Select cycle modifiers.
- 4 Press the START/PAUSE.

SPECIAL FUNCTIONS

CONTROL LOCK



Control Lock

Use this option to disable the controls. The washer can be locked during a cycle. This feature allows you to prevent children from changing cycles or operating the machine. Once set, the CONTROL LOCK must be

turned OFF before the controls can be used. Once the washer has shut off, the power button will allow the machine to be turned ON, but the controls will still be locked. When the controls are locked, "CL" will be displayed alternately with the estimated time remaining.

Press and hold the CONTROL LOCK button for 5 seconds to activate or deactivate the controls.

CLEAN WASHER



Clean Washer

A buildup of detergent residue can occur in the wash tub over time and can lead to a mildewy or musty smell. The CLEAN WASHER cycle is specially designed to remove this buildup using bleach or other cleaner designed specifically for cleaning front load washers. The CLEAN WASHER cycle should be run once a month, or more often under heavy use conditions or if odor is present.

- 1 Turn ON the washer and press the CLEAN WASHER button. Selecting any other cycle after CLEAN WASHER has been selected will cause the CLEAN WASHER cycle to be cancelled.
- 2 Fill the bleach dispenser to the MAX line with liquid chlorine bleach*. Do not overfill the bleach dispenser. Overfilling will cause the bleach to be dispensed immediately.
- 3 Press the START/PAUSE to start the cycle.
- 4 After the cycle has ended, open the door and allow the drum interior to dry completely.

NOTE: Do NOT use this cycle with clothes, and do NOT add detergent or fabric softener.

* For powdered tub cleaners, add the cleaner to the main wash compartment of the dispenser drawer. Place tablet cleaners directly into the tub. Always follow the cleaner manufacturers instructions and recommendations

CARE AND CLEANING

⚠ WARNING: To reduce the risk of fire, electric shock, or injury to persons, read and follow this entire manual, including the Important Safety Instructions, before operating this washer.

- **Unplug the washer before cleaning to avoid the risk of electric shock.** Failure to follow this warning can cause serious injury, fire, electrical shock, or death.
- **Never use harsh chemicals, abrasive cleaners, or solvents to clean the washer.** They will damage the finish.

REGULAR CLEANING

Cleaning the Exterior

Proper care of your washer can extend its life. The outside of the machine can be cleaned with warm water and a mild, non-abrasive household detergent.

Immediately wipe off any spills with a soft, damp cloth.

IMPORTANT: Do not use methylated spirits, solvents, or similar products. Never use steel wool or abrasive cleaners because they can damage the surface.

Care and Cleaning of the Interior

Use a towel or soft cloth to wipe around the washer door opening, door seal, and door glass. These areas should be kept clean to ensure a watertight seal. Be sure to wipe under the inside rubber seal to remove any moisture or soil.

Always remove items from the washer as soon as the cycle is completed. Leaving damp items in the washer can cause wrinkling, color transfer, and odor.

Run the CLEAN WASHER cycle once a month, or more often if needed, to remove detergent buildup and other residue.

Read these instructions carefully before beginning the CLEAN WASHER cycle.

- 1 Open the door and remove any clothing in the wash drum.
- 2 Open the dispenser drawer.
- 3 Add liquid chlorine bleach or tub cleaner.
Some powder or tablet tub cleaners which are manufactured for this purpose can be used.
(NOTE : Do not add any laundry detergent or fabric softener to the drawer when using CLEAN WASHER.)
- If using liquid chlorine bleach
Add liquid chlorine bleach to the bleach compartment of the drawer. (NOTE : Do not exceed the maximum fill line and do not pour undiluted liquid bleach directly into the wash drum.)
- If using powder cleaner
Remove the liquid detergent cup and add powder cleaner to the main wash compartment of the drawer.
- If using tablet cleaner
Add tablet cleaner to the wash drum directly.
(NOTE : Do not add tablet cleaner to the drawer.)
- 4 Close the drawer and washer door.
- 5 Select CLEAN WASHER and press START.

NOTE: It is recommended that CLEAN WASHER should be repeated monthly. If mildew or musty smell already exists, run CLEAN WASHER for 3 consecutive weeks. After CLEAN WASHER is complete or when the washer is not used, leave the washer door open for better ventilation and drying inside of the washer.

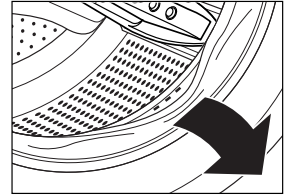
Door Seal and Glass Cleaning

Due to the location and nature of the door seal, some detergent and soil residue may build up on the door glass and seal.

Periodic cleaning with a bleach solution can help remove buildup and stains and can help sanitize the seal to prevent odors.

NOTE: Wear rubber gloves and eye protection while performing the following procedure:

- 1 Dilute 3/4 cup (177 ml) liquid chlorine bleach with 1 gallon (3.8 L) of warm/hot water.
- 2 Use this solution to wipe down all surfaces of the gasket and glass gasket to remove any deposits left there. (The gasket is stiff. Be sure to fold back the lip of the gasket to get under the edge where residue can build up.)
- 3 Wipe the gasket and glass with a dry cloth.
- 4 Leave the door open to allow the gasket to dry completely.



NOTE:

- Follow the manufacturer's instructions for proper use of bleach.
- Do not use undiluted bleach as this will damage the gasket.

Removing Mineral Buildup

If you live in an area with hard water, lime scale can form on internal components of the washer. Use of a water softener is recommended in areas with hard water.

Use a descaler, such as Washer Magic®, and run the CLEAN WASHER cycle before washing clothing.

Do NOT use steel wool or abrasive cleaners; they can damage the surface.

Storing the Washer

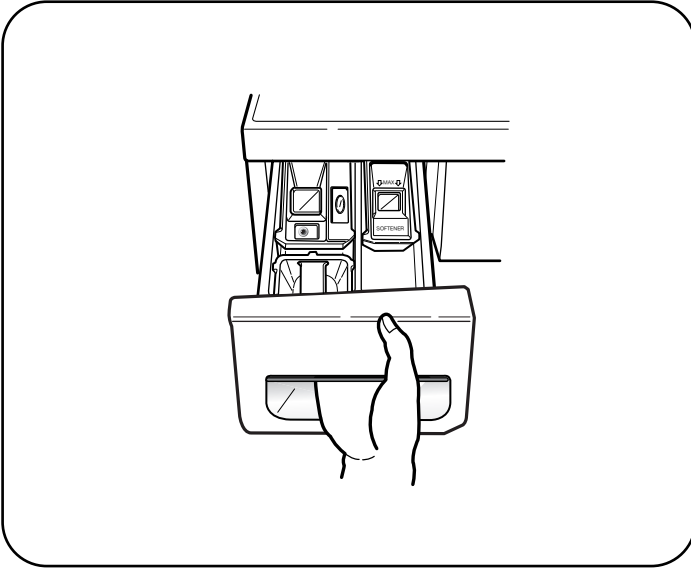
If the washer will not be used for an extended period of time and is in an area that could be exposed to freezing temperatures:

- 1 Turn OFF water supply tap.
- 2 Disconnect hoses from water supply and drain water from hoses.
- 3 Plug the power cord into a properly grounded electrical outlet.
- 4 Add 1 gallon of nontoxic recreational vehicle (RV) antifreeze to the empty wash drum. Close door.
- 5 Select the spin cycle and let washer spin for 1 minute to drain out all the water.
NOTE: Not all of the RV antifreeze will be expelled.
- 6 Unplug the power cord, dry the drum interior with a soft cloth, and close the door.
- 7 Remove the inserts from the dispenser. Drain any water in compartments and dry the compartments.
- 8 Store the washer in an upright position.
- 9 To remove the antifreeze from the washer after storage, run washer through a complete cycle using a small amount of detergent. Do not add laundry!

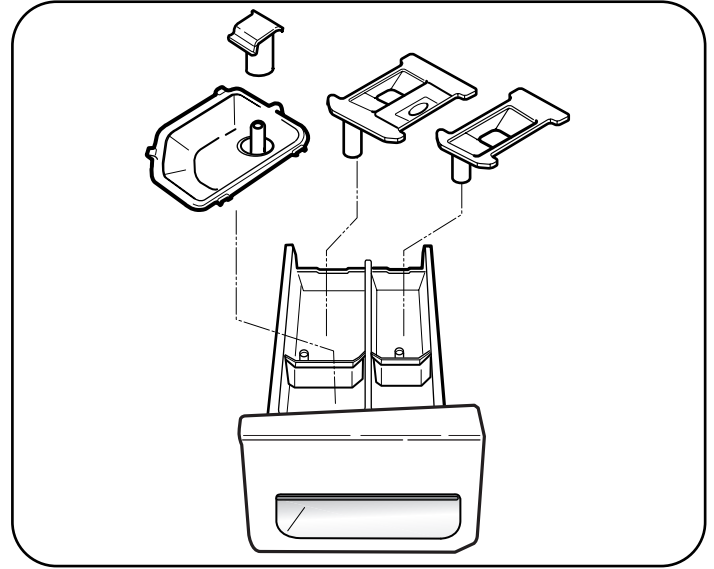
REGULAR CLEANING (cont.)

Cleaning the Dispenser

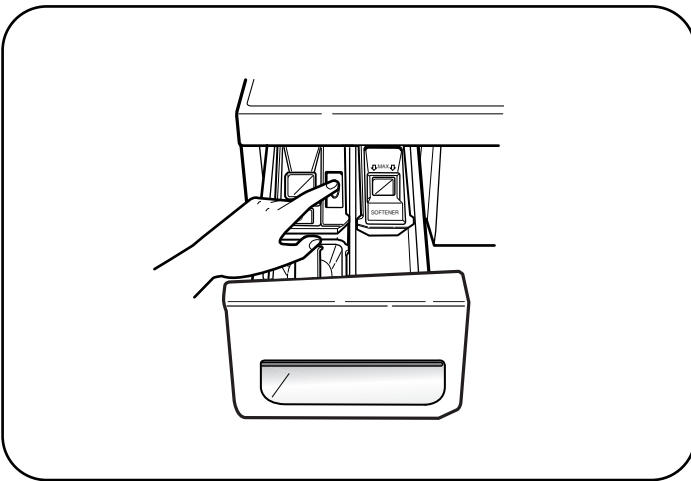
The dispenser should be cleaned periodically to remove buildup of detergent and other laundry products that can cause the dispenser not to dispense the laundry product properly.



1. Pull the dispenser drawer out until it stops.



3. Remove the liquid detergent box, softener and bleach inserts from their compartments.



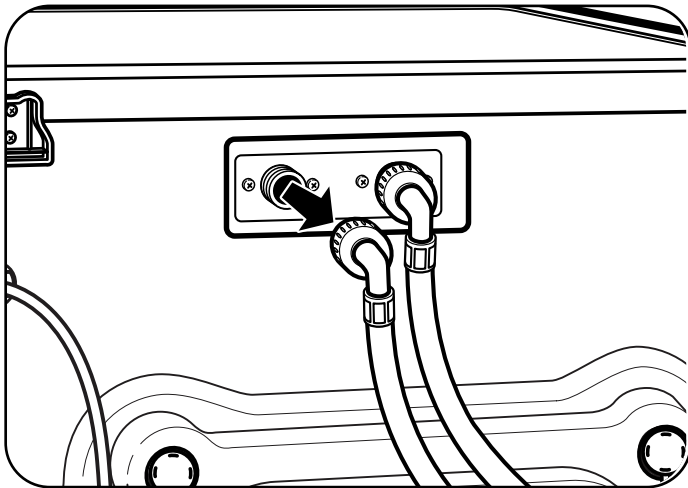
2. Press down the lock tab located between the bleach and softener compartments and slide the drawer out.

MAINTENANCE

Cleaning the Water Inlet Filters

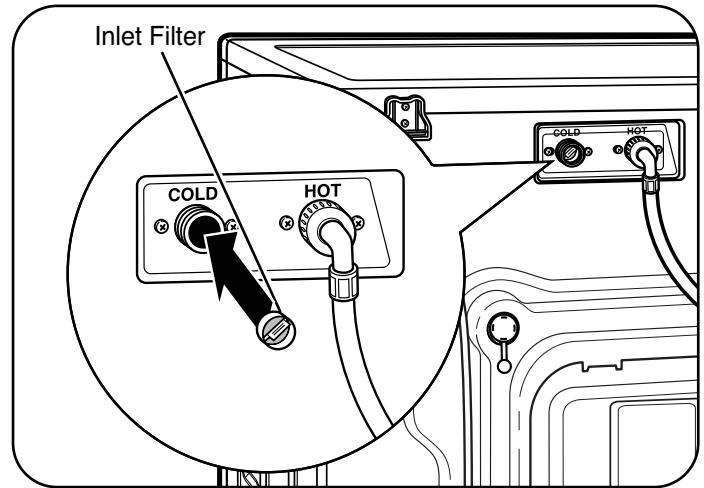
If the washer detects that water is not entering the dispenser, an error message will show on the display. Inlet valve filter screens could be plugged by hard water scale, sediment in the water supply, plumbing scale, etc.

NOTE: The inlet screens protect the delicate parts of the fill valve from being damaged by particles that may get into the valves with the water supply. Operating the washer with the filters removed could cause a valve to fail open resulting in flooding and/or property damage.



1. Turn OFF both water taps completely. Unscrew the hot and cold water lines from the back of the washer.

IMPORTANT: Use ONLY the inlet hoses provided with this laundry product. Aftermarket hoses are not guaranteed to fit or function correctly. Other hoses may not tighten correctly and could cause leaks. Subsequent damage to product or property will not be covered under the terms of the product warranty.

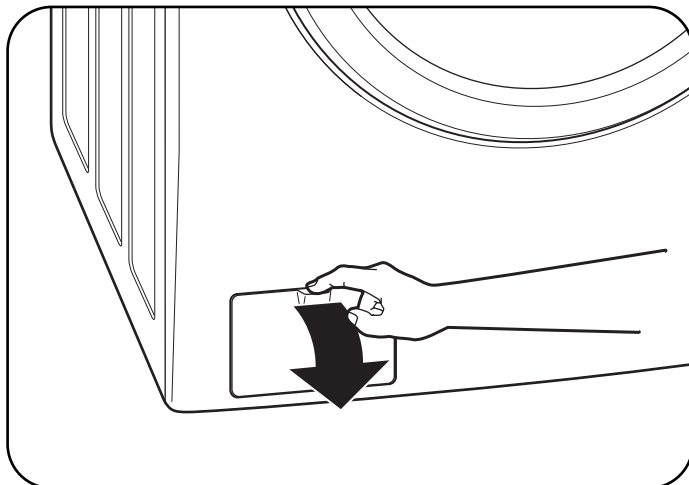


2. Carefully remove the filters from the water valves and soak them in white vinegar or a lime scale remover, following the manufacturer's instructions. Rinse thoroughly before reinstalling. Press the filters back into place and reattach the water lines.

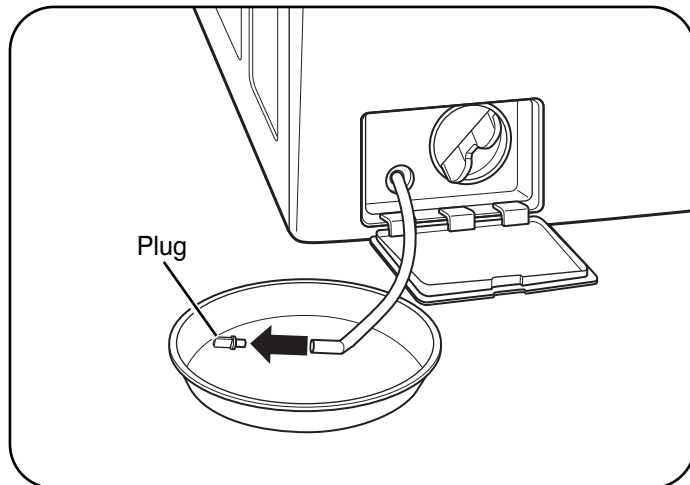
MAINTENANCE (cont.)

Cleaning the Drain Pump Filter

Your Washer is equipped with a filter that helps prevent excess lint and foreign objects like buttons, keys, and coins from causing damage to the pump. If the washer fails to drain properly, unplug the washer and allow the water to cool, if necessary, before proceeding.

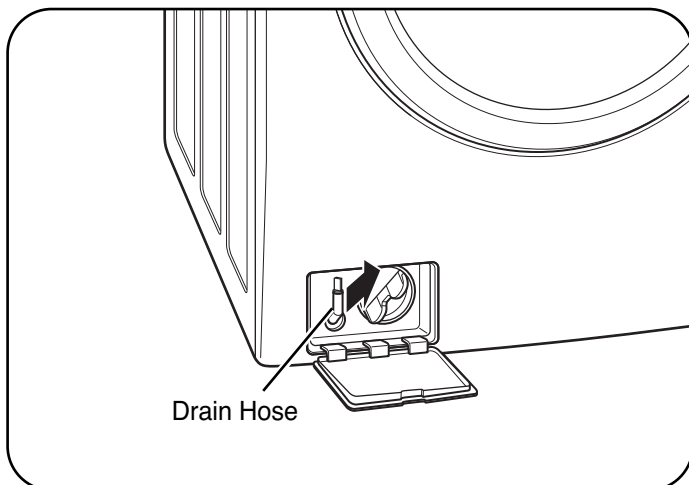


1. Open the drain pump filter access panel.

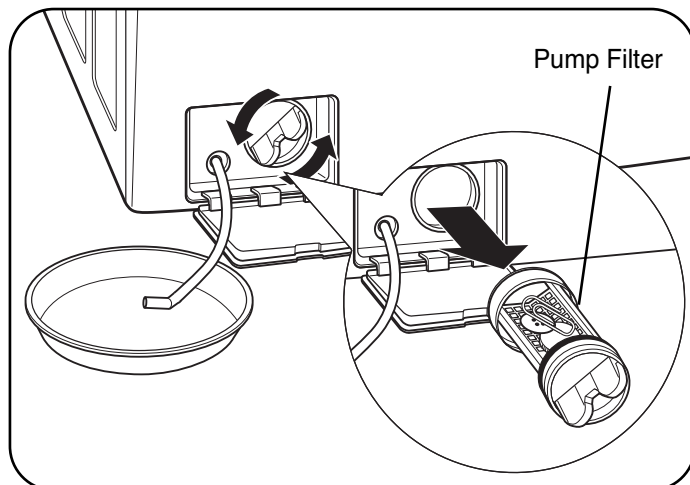


3. Remove the plug from the drain hose, and allow the water to drain completely.

NOTE: If there is a large amount of water in the tub, you may have to empty your container several times.



2. Unclip the drain hose and pull it out. Place the end of the drain hose into a shallow pan or a floor drain. Use care not to pull the hose out too far or it may not drain properly.



4. Twist the pump filter counterclockwise to remove. Remove any lint and foreign objects from the pump filter. Reverse the above steps to reinstall the drain pump filter and drain hose. Be sure to close the cover panel when finished.

TROUBLESHOOTING GUIDE

NORMAL SOUNDS YOU MAY HEAR

The following sounds may be heard while the washer is operating. They are normal.

Clicking:

Door lock relay when the door locks and unlocks.

Spraying or hissing:

Water spraying or circulating during the cycle.

Humming or gurgling:

Drain pump pumping water from the washer at the end of a cycle.

Splashing:

Clothes tumbling in the drum during the wash and rinse cycles.

BEFORE CALLING FOR SERVICE

Your washing machine is equipped with an automatic error-monitoring system to detect and diagnose problems at an early stage. If your washer does not function properly or does not function at all, check the following before you call for service.

Rattling and clanking noise

Check if...

Then...

Foreign objects, such as keys, coins, or safety pins, may be in drum or pump.	Stop washer and check drum and drain filter for foreign objects. If noise continues after washer is restarted, call for service.
---	--

Thumping sound

Check if...

Then...

Heavy wash loads may produce a thumping sound.	This is normal. If sound continues, washer is probably out of balance. Stop and redistribute wash load.
Washer load may be out of balance. Washing shoes or tightly tangled clothes.	Pause the cycle and redistribute the load after the door unlocks.

Vibrating noise

Check if...

Then...

Shipping bolts and/or packaging materials not removed.	See Unpacking and Removing Shipping Bolts in the Installation Requirements on page 8.
Wash load may be unevenly distributed in the drum.	Pause the cycle and redistribute the load after the door unlocks.
Not all leveling feet are resting firmly and evenly on the floor.	See Leveling the Washer in the Installation Instructions on page 11.
Floor not rigid enough.	Make sure that the floor is solid and does not flex. See Flooring in the Installation Requirements on page 7.

Water leaking around washer

Check if...

Then...

Fill hose connection is loose at tap or washer.	Check hoses. Check and tighten hose connections.
House drain pipes are clogged.	Unclog drain pipe. Contact a plumber if necessary.
Drain hose has come out of drain. Drain hose is not inserted far enough.	Tie drain hose to inlet hose or standpipe to prevent it from coming out during drain. It should be inserted about 8-12 inches into the standpipe.

Excessive sudsing

Check if...

Then...

Too much detergent or incorrect detergent.	 Only use detergent with the HE (High-Efficiency) logo. See Detergent Use in the How to Use section on page 16-17.
--	---

TROUBLESHOOTING GUIDE

BEFORE CALLING FOR SERVICE (cont.)

Staining

Check if...	Then...
Were bleach or softener added directly to the wash load in the drum?	Laundry chemicals must be loaded into the dispenser.
Washer not unloaded promptly.	Always remove items from the washer as soon as possible after the cycle is complete.
Clothes not properly sorted.	Always wash dark colors separately from light colors and whites to prevent discoloration. If possible, do not wash heavily soiled items with lightly soiled ones.

Water in the washer drains slowly or not at all, or the display shows:

Check if...	Then...
Drain hose is kinked, pinched, or clogged.	Make sure the drain hose is free of clogs, kinks, etc., and is not pinched behind or under the washer.
The drain filter is clogged.	Clean the drain filter. See Maintenance in the Care and Cleaning section on page 24.
Drain discharge is more than 96" above bottom of washer.	Adjust or repair drain.

Washer fills with water slowly or not at all, or the display shows:

Check if...	Then...
Water supply taps are not open fully.	Make sure that the water taps are open fully.
Water line hoses are kinked, pinched, or crushed.	Make sure the hoses are not kinked or pinched. Be careful when moving the washer.
Water inlet filters are clogged.	Clean the inlet filters. See Maintenance in the Care and Cleaning section on page 23.
Water pressure to tap or house is too low.	Check another faucet in the house to make sure that household water pressure is adequate.
Water supply connected with leak-limiting hoses.	Hoses designed to limit leaks if a hose fails can trip falsely and prevent washer from filling.

Washer will not turn ON

Check if...	Then...
Power cord is not properly plugged in.	Make sure that the plug is plugged securely into a grounded, 3-prong, 120-VAC, 60-Hz. outlet.
House fuse is blown, circuit breaker has tripped, or power outage has occurred.	Reset circuit breaker or replace fuse. Do not increase fuse capacity. If the problem is a circuit overload, have it corrected by a qualified electrician.

Cycle won't start, or the display shows:

Check if...	Then...
The door is not closed properly.	Make sure that the door is closed properly and press the START/PAUSE button. After starting a cycle, it may take a few moments before the drum begins to turn or spin. The washer will not operate unless the door is locked.
	If the door is closed and locked and the open door error message is displayed, call for service.

TROUBLESHOOTING GUIDE

BEFORE CALLING FOR SERVICE (cont.)

Door will not unlock when cycle is stopped or paused

Check if...	Then...
Interior temperature of washer is too high.	The washer door has a safety feature to prevent burns. For example, if the washer is paused during the hot wash portion of a sanitary cycle, the interior temperature of the drum will be very hot, so the door will not unlock. This is normal. Allow the washer to cool until the DOOR LOCK indicator turns OFF on the display.
Water level in washer is too high.	To drain the water, press POWER, then press the SPIN SPEED button without selecting a cycle.

Wash cycle time is longer than usual

Check if...	Then...
The washer automatically adjusts the wash time for the amount of laundry, water pressure, water heating time and other operating conditions.	This is normal. The washer adjusts cycle time automatically to provide optimal results for the selected cycle. The time remaining shown in the display is only an estimate. Actual time may vary.

Musty or mildewy odor in washer

Check if...	Then...
Incorrect or too much detergent has been used.	Use only HE (High-Efficiency) detergent in accordance with the manufacturer's instructions.
Inside of tub not cleaned properly.	Run the CLEAN WASHER cycle regularly. Be sure to wipe around and under the door seal frequently. See Care and Cleaning of the Interior in Care and Cleaning on page 21.
	Clean around door seal/glass to prevent odor or mildew: <ol style="list-style-type: none"> 1. Wipe dry the door seal/glass and the door opening area. 2. Wipe around the inner drum/door seal and the lower door seal. 3. For difficult-to-remove odors, use Affresh available at your local Sears store or online at www.partsdirect.com.

Wrinkling

Check if...	Then...
Washer not unloaded promptly.	Always remove items from the washer as soon as the cycle is complete.
Washer overloaded.	The washer can be fully loaded but the drum should not be tightly packed, and the door should close easily.
Hot and cold water inlet hoses are reversed.	Hot water rinse can set wrinkles in garments. Check the inlet hose connections.

TROUBLESHOOTING GUIDE

BEFORE CALLING FOR SERVICE (cont.)

The display shows: 

Check if...

Then...

Load is too small.	Add 1 or 2 similar items to help balance the load.
Load is out of balance.	Pause the cycle and redistribute the load after the door unlocks.
	The washer has an imbalance detection and correction system. If individual heavy articles are loaded (bath mat, bath robe, etc.) and the imbalance is too great, the washer will make several attempts to restart the spin cycle. If an imbalance is still detected, the washer will stop and the error code will be displayed.

The display shows: 

Check if...

Then...

Control error.	Unplug the washer and wait 60 seconds. Reconnect power and try again. If the error reappears, call for service.
----------------	---

The display shows: 

Check if...

Then...

Water level is too high due to a faulty water valve.	Close the water taps, unplug the washer, and call for service.
--	--

The display shows: 

Check if...

Then...

The water level sensor is not working correctly.	Close the water taps, unplug the washer, and call for service.
--	--

The display shows: 

Check if...

Then...

Thermal overload protection circuit in the motor has been tripped.	Allow the washer to stand for 30 minutes to allow the motor to cool; then restart the cycle. If the LE error code persists, call for service.
--	---

The display shows: 

Check if...

Then...

A power failure has occurred.	If the power to the washer has been interrupted during a cycle, the "PF" error code will be displayed the next time the washer is turned ON. This will alert you to the fact that the previous cycle may not have been completed. Select any cycle to clear the error code and use the washer.
-------------------------------	--

Kenmore Limited Warranty

When installed, operated and maintained according to all instructions supplied with the product, if this appliance fails due to a defect in material and workmanship within one year from the date of purchase, call 1-800-4-MY-HOME® to arrange for free repair.

If the direct drive motor is defective in material or workmanship within the second through tenth year from purchase date, call 1-800-4-MY-HOME® to receive a free replacement motor. After the first year from purchase date, you will be responsible for the labor cost of motor installation.

If this appliance is ever used for other than private family purposes, this warranty applies for only 90 days from the date of purchase.

This warranty covers only defects in material and workmanship. Sears will NOT pay for:

1. Expendable items that can wear out from normal use, including but not limited to filters, belts, light bulbs, and bags.
2. A service technician to instruct the user in correct product installation, operation or maintenance.
3. A service technician to clean or maintain this product.
4. Damage to or failure of this product if it is not installed, operated or maintained according to all the instructions supplied with the product.
5. Damage to or failure of this product resulting from accident, abuse, misuse or use for other than its intended purpose.
6. Damage to or failure of this product caused by the use of detergents, cleaners, chemicals or utensils other than those recommended in all instructions supplied with the product.
7. Damage to or failure of parts or systems resulting from unauthorized modifications made to this product.

Disclaimer of Implied warranties; limitation of remedies

Customer's sole and exclusive remedy under this limited warranty shall be product repair as provided herein. Implied warranties, including warranties of merchantability or fitness for a particular purpose, are limited to one year or the shortest period allowed by law. Sears shall not be liable for incidental or consequential damages. Some states and provinces do not allow the exclusion or limitation of incidental or consequential damages, or limitation on the duration of implied warranties of merchantability or fitness, so these exclusions or limitations may not apply to you.

This warranty applies only while this appliance is used in the United States or Canada.

This warranty gives you specific legal rights, and you may also have other rights which vary from state to state.

Sears, Roebuck and Co., Hoffman Estates, IL 60179
Sears Canada Inc., Toronto, Ontario, Canada M5B 2B8

TABLA DE CONTENIDOS

MENSAJES DE LA SEGURIDAD.....	32
INSTRUCCIONES IMPORTANTE DE SEGURIDAD.....	32-35
REQUISITOS DE CONEXIÓN A TIERRA.....	35
CARACTERÍSTICAS Y BENEFICIOS	
Piezas y componentes clave	36
Accesorios incluidos	36
Accesorios opcionales	36
REQUISITOS DE INSTALACIÓN	
Dimensiones y especificaciones clave	37
Escoja el lugar adecuado.....	37
Tipo de piso	37
Espacios de instalación	37
INSTRUCCIONES PARA LA INSTALACIÓN	
Desembalaje y retiro de los pernos de embalaje.....	38
Conexión de las tuberías de agua	39
Conexión de la manguera de drenaje.....	40
Conectar al tomacorriente.....	40
Nivelación de la lavadora.....	41
Instalación de las almohadillas antideslizantes (opcional).....	41
CÓMO USAR	
Características del panel de control.....	42
Cómo usar la lavadora.....	43
Guía de ciclos	44
Clasificación de las cargas de lavado.....	45
Detalles sobre el depósito.....	46
Uso del detergente y el dispensador	47
La pantalla de tiempo y estado	48
Botones modificadores de ciclo	49
Botones de opción de ciclo.....	50
DELAY START (inicio retardado)	50
2 nd RINSE (2 nd enjuague).....	50
STAIN TREAT (convite de mancha)	50
AUTO SOAK (remojo automatico).....	50
Funciones especiales	50
CONTROL LOCK (bloqueo del control)	50
CLEAN WASHER (limpieza de la lavadora)	50
MANTENIMIENTO Y LIMPIEZA	
Limpieza regular	51-52
Limpieza del exterior.....	51
Mantenimiento y limpieza del interior.....	51
Limpieza de la junta de la puerta.....	51
Eliminación de la acumulación de cal.....	51
Almacenamiento de la lavadora.....	51
Limpieza del depósito	52
Mantenimiento	53-54
Limpieza de los filtros de entrada de agua	53
Limpieza del filtro de la bomba de drenaje	54
RESOLUCIÓN DE PROBLEMAS	
Sonidos normales que podría escuchar	55
Antes de llamar a mantenimiento	55-58
GARANTÍA.....	59

REGISTRO DE PRODUCTO

En el espacio de abajo, registre la fecha de compra, modelo y número de serie de su producto. Usted encontrará el número de modelo y de serie impreso en una placa de identificación ubicada dentro de la puerta de la lavadora. Tenga esta información disponible cuando se comunique con Sears en relación a su producto.

Nº de modelo _____

Fecha de compra _____

Nº de serie _____

Guardé estas instrucciones y su recibo de venta para referencia futura.

ACUERDOS DE PROTECCIÓN

Acuerdos Maestros de Protección

Felicitaciones por haber efectuado una compra inteligente. Su nuevo producto Kenmore® está diseñado y fabricado para brindar años de funcionamiento confiable. Pero como con todos los productos, puede requerir mantenimiento preventivo o reparaciones de vez en cuando. Ahí es cuando contar con un Acuerdo Maestro de Protección puede ayudarlo a ahorrar tiempo y dinero.

El Acuerdo Maestro de Protección también lo ayuda a extender la vida útil de su nuevo producto. El Acuerdo* incluye los siguientes puntos:

- **Piezas y mano de obra** requeridos para mantener los productos en buen funcionamiento **bajo un uso normal**, no sólo defectos. Nuestra cobertura va **mucho más allá de la garantía del producto**. Sin deducibles ni fallas funcionales excluidas de la cobertura—**una protección real**.
- **Servicio experto** mediante un grupo de más de 10.000 **técnicos autorizados de Sears**, lo que significa que alguien en quien confía va a trabajar en su producto.
- **Visitas a su domicilio ilimitadas y servicio en todo el país**, todas las veces que nos necesite, cuando nos necesite.
- **Garantía por defectos de fabricación**—reemplazo de su producto si se producen cuatro o más fallas dentro de los doce meses.
- **Reemplazo del producto** si éste no puede repararse.
- **Control de mantenimiento preventivo anual** a pedido, sin cargos extra.
- **Ayuda rápida por teléfono**—Lo llamamos "**resolución rápida**". Soporte telefónico de un representante de Sears sobre todos los productos. Piense en nosotros como un "manual de usuario que habla."
- **Protección de picos de tensión** contra daños eléctricos debido a fluctuaciones de la energía.
- **Protección anual de \$250 por pérdida de comida** que se haya producido como resultado una falla mecánica de cualquier refrigerador o freezer cubierto.
- **Reintegro por alquiler** si la reparación de su producto tarda más de lo prometido.
- **10% descuento** del precio normal de cualquier servicio de reparación no cubierto y de piezas relacionadas instaladas.

Una vez que adquiera el Acuerdo, sólo tiene que hacer un llamado telefónico para programar el servicio. Puede llamar en cualquier momento de día o de noche, o coordinar un servicio técnico online.

El Acuerdo Maestro de Protección es una compra libre de riesgo. Si usted lo cancela por cualquier razón durante el período de garantía del producto, le devolveremos la totalidad del dinero, o una devolución prorrateada en cualquier momento después de que expire el período de garantía. ¡Adquiera hoy su Acuerdo Maestro de Protección!

Se aplican algunas limitaciones y exclusiones. Para consultar precios e información adicional en los EE.UU., llame al 1-800-827-6655.

***La cobertura en Canadá varía en algunos ítems. Para más detalles, llame a Sears Canadá a 1-800-361-6655. Servicio de Instalación Sears**

Para la instalación profesional Sears de electrodomésticos, dispositivos para apertura de puertas de garajes, calentadores de agua y otros ítems domésticos importantes, en los EE.UU. o Canadá, llame al 1-800-4-MY-HOME®.

MENSAJES DE LA SEGURIDAD

En este manual y en su electrodoméstico figuran muchos mensajes importantes de seguridad. Lea y cumpla siempre con todos los mensajes de seguridad.



Éste es el símbolo de alerta de seguridad.

Este símbolo lo alerta sobre posibles riesgos que pueden resultar en daños sobre la propiedad y/o lesiones físicas graves o la muerte.

Todos los mensajes de seguridad estarán a continuación del símbolo de alerta de seguridad y con la palabra PELIGRO o ADVERTENCIA. Estas palabras significan:

PELIGRO

Si no se siguen estas instrucciones de seguridad se pueden producir daños sobre la propiedad y/o lesiones graves o la muerte.

ADVERTENCIA

Si no se siguen estas instrucciones de seguridad se pueden producir daños sobre la propiedad y/o lesiones graves o la muerte.

Todos los mensajes de seguridad le indicarán cuál es el riesgo potencial, le dirán cómo reducir las posibilidades de sufrir heridas y qué puede suceder si no se siguen las instrucciones.

INSTRUCCIONES IMPORTANTE DE SEGURIDAD

ADVERTENCIA

Para reducir el riesgo de fuego, de descarga eléctrica, o de lesión a las personas al usar esta aplicación, siga las precauciones básicas, incluyendo el siguiente.

- Antes de usar, la lavadora debe estar correctamente instalada como se describe en este manual.
- No lave artículos que han sido limpiados, lavados, remojados o salpicados previamente con gasolina, disolventes de limpieza en seco, u otras sustancias inflamables o explosivas, ya que emanan vapores que podrían encenderse o explotar.
- No agregue gasolina, disolventes de limpieza en seco u otras sustancias explosivas al agua de lavado. Estas sustancias emanan vapores que podrían encenderse o explotar.
- Bajo ciertas condiciones, se puede producir gas hidrógeno en un sistema de agua caliente que no se haya usado por un plazo de 2 semanas o más. **EL GAS HIDRÓGENO ES EXPLOSIVO.** Si no se ha usado el sistema de agua caliente durante tal período, antes de utilizar la lavadora, abra todas las llaves de agua caliente y deje que el agua fluya durante algunos minutos. Esto liberará cualquier gas hidrógeno acumulado. Ya que el gas es inflamable, no fume ni use ninguna llama abierta durante este período.
- No deje que los niños jueguen en la lavadora o dentro de ella. Cuando se usa la lavadora cerca de los niños se necesita supervisión minuciosa.
- Antes de poner la lavadora fuera de servicio o de tirarla, quite la puerta para prevenir que los niños se metan dentro.
- No instale ni guarde la lavadora cuando esté expuesta a la intemperie o temperaturas de congelamiento.
- No toque los controles.
- No repare ni cambie ninguna pieza de la lavadora ni intente dar un mantenimiento diferente al descrito en este manual. Recomendamos enfáticamente que el mantenimiento lo brinde una persona calificada.
- Vea las Instrucciones de instalación para referirse a los requisitos de puesta a tierra.
- Siga SIEMPRE las instrucciones de mantenimiento de fábrica provistas por el fabricante de las prendas.
- No coloque artículos expuestos a aceite comestible en su lavadora. Los artículos contaminados con aceites comestibles podrían contribuir a la formación de una reacción química que cause que una carga de lavado se incendie.
- Use suavizadores de tela o productos para eliminar estática únicamente del modo recomendado por el fabricante.
- Esta lavadora no está diseñada para uso marino o instalaciones móviles tales como vehículos recreativos, aeronaves, etc.
- Cierre las llaves de agua y desenchufe la lavadora si ha dejado la lavadora sin funcionar por un período prolongado de tiempo, como durante las vacaciones.
- El material de embalaje podría resultar peligroso para los niños. ¡Existe el peligro de sufrir sofocación! Mantenga todos los elementos de embalaje fuera del alcance de los niños.
- Antes de cargar la lavadora, siempre revise que no haya objetos extraños en su interior. Mantenga la puerta cerrada cuando no se use.

ADVERTENCIA

Para reducir el riesgo de fuego, de descarga eléctrica, o de lesión a las personas al usar esta aplicación, siga las precauciones básicas, incluyendo el siguiente.

- **Desenchufe la lavadora antes de limpiar la misma** para evitar el riesgo de descargas eléctricas.
- **Al limpiar la lavadora nunca utilice químicos de corte, limpiadores abrasivos o solventes.** Los mismos dañarán su aspecto.
- **No coloque trapos grasosos o aceitosos sobre la lavadora.** Estas sustancias despiden vapores que podrían prender fuego los materiales.
- **No lave prendas que estén sucias con aceite vegetal o de cocina.** Las mismas pueden quedar con algo de aceite luego del lavado.
- **Desconecte este electrodoméstico del tomacorriente antes de realizar cualquier función de mantenimiento. Colocar los controles en la posición OFF (apagado) no desconecta el electrodoméstico de la toma de corriente.** Si no se cumple con esta advertencia se podrán producir heridas graves, incendios, descargas eléctricas o muerte.
- **No combine detergentes, suavizantes de tela y otros productos de lavandería de diferentes fabricantes en una misma carga, a menos que así se especifique en la etiqueta.**
- **No mezcle el blanqueo de la clorina con amoníaco a ácidos tales como vinagre. Siga las direcciones del paquete al usar productos del lavadero.** Un uso indebido puede producir gases venenosos, lo que puede resultar en heridas graves o la muerte.
- **No coloque las manos dentro de la lavadora cuando sus partes estén en movimiento. Antes de cargar, descargar o agregar prendas, presione la perilla selectora de ciclos y espere hasta que el tambor se detenga totalmente antes de colocar las manos dentro.** Si no se cumple con esta advertencia se podrán producir heridas graves, incendios, descargas eléctricas o muerte.

⚠️ ADVERTENCIA

- **Consulte las INSTRUCCIONES DE INSTALACIÓN para un procedimiento detallado de conexión a tierra.** Junto con la lavadora se encuentran las instrucciones de instalación como referencia. Si cambiará de lugar la lavadora, contrate a una persona del servicio calificada para que la controle y reinstale. Si no se cumple con esta advertencia se podrán producir heridas graves, incendios, descargas eléctricas o muerte.
- **Nunca, bajo ninguna circunstancia, corte o elimine el tercer cable (tierra) del cable de corriente.** Si no se cumple con esta advertencia se podrán producir heridas graves, incendios, descargas eléctricas o muerte.
- **Para su seguridad personal, este electrodoméstico debe estar adecuadamente conectado a tierra.** Si no se cumple con esta advertencia se podrán producir heridas graves, incendios, descargas eléctricas o muerte.
- **El cable de corriente de este electrodoméstico contiene un enchufe de 3 cables (conexión a tierra) que se conecta a un tomacorriente de pared estándar de 3 cables (conexión a tierra)** para minimizar la posibilidad de riesgos de descargas eléctricas por parte del mismo.
- **La lavadora deberá estar conectada a un tomacorriente con conexión a tierra de 120VAC, 60 Hz.** Si no se cumple con esta advertencia se podrán producir heridas graves, incendios, descargas eléctricas o muerte.
- **Contrate a un electricista calificado para que controle el tomacorriente y el circuito eléctrico con el fin de asegurar que el enchufe esté correctamente conectado a tierra.** Si no se cumple con esta advertencia se podrán producir heridas graves, incendios, descargas eléctricas o muerte.
- **En caso de contar con un tomacorriente de pared de 2 cables, es su responsabilidad y obligación reemplazarlo por un tomacorriente de pared de 3 cables correctamente conectado a tierra.** Si no se cumple con esta advertencia se podrán producir heridas graves, incendios, descargas eléctricas o muerte.
- **No instale sobre alfombra. Instale la lavadora sobre un suelo firme.** Si no se cumple con esta advertencia se podrán producir daños por filtraciones.
- **No elimine el cable de conexión a tierra. No use un adaptador o prolongador. Enchufe en un tomacorriente con conexión a tierra de 3 cables.** Si no se cumple con esta advertencia se podrán producir heridas graves, incendios, descargas eléctricas o muerte.
- **La lavadora debería estar siempre conectada a un enchufe específico con un índice de voltaje equivalente al que figura en su etiqueta de características técnicas.** Esto garantiza el mejor funcionamiento y además previene la sobrecarga de los circuitos del hogar, lo cual podría ocasionar riesgos de incendio debido al recalentamiento de cables.
- **Nunca desenchufe su lavadora empujando el cable de corriente.** Siempre tome su enchufe firmemente y empuje el mismo hacia fuera para retirarlo. Si no se cumple con esta advertencia se podrán producir heridas graves, incendios, descargas eléctricas o muerte.
- **Repáre o reemplace de inmediato todos los cables de corriente pelados o con cualquier tipo de daño. No use un cable con cortaduras o abrición sobre su extensión o extremos.** Consulte a una persona calificada del servicio técnico. Si no se cumple con esta advertencia se podrán producir heridas graves, incendios, descargas eléctricas o muerte.
- **Al instalar o cambiar de lugar la lavadora, evite todo tipo de cortes u otros daños en el cable de corriente.** Si no se cumple con esta advertencia se podrán producir heridas graves, incendios, descargas eléctricas o muerte.
- **La lavadora debe ser instalada y conectada a tierra por una persona especializada del servicio técnico cumpliendo con los códigos locales** para prevenir riesgos de descargas y asegurar la estabilidad durante el funcionamiento.
- **La lavadora es pesada. Se necesitan dos o más personas para instalar y trasladar el electrodoméstico.** Si esto no se cumple se podrán producir diversas heridas.
- **Ubique e instale la lavadora evitando su exposición a temperaturas bajo cero o a condiciones climáticas en áreas exteriores.** Si no se cumple con esta advertencia se podrán producir daños por filtraciones.
- **Con el fin de reducir el riesgo de descargas eléctricas no instale la lavadora en espacios húmedos.** Si no se cumple con esta advertencia se podrán producir heridas graves, incendios, descargas eléctricas o muerte.

INSTRUCCIONES IMPORTANTE DE SEGURIDAD

⚠ ADVERTENCIA: RIESGO PARA NIÑOS

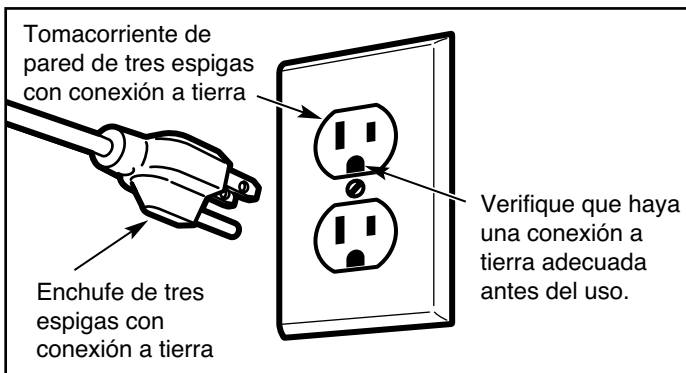
- **No permita que los niños jueguen en o en la lavadora. La supervisión cercana de niños es necesaria cuando la lavadora se utiliza cerca de niños. Como los niños crecen, enséñeles al uso apropiado, seguro de todas las aplicaciones.** La falta de conformarse con estas advertencias podía dar lugar a daños corporales serios.
- **Destruya el cartón, la bolsa de plástico, y otros materiales de embalaje después de la lavadora se desempaquetan. Los niños pudieron utilizarlos para el juego. Los cartones cubiertos con las mantas, las colchas, o las hojas plásticas pueden convertirse en compartimientos herméticos.** La falta de conformarse con estas advertencias podía dar lugar a daños corporales serios.
- **Guarde los productos del lavadero fuera del alcance de los niños. Para evitar daños corporales, observe todas las advertencias en etiquetas del producto.** La falta de conformarse con estas advertencias podía dar lugar a daños corporales serios.
- **Quite la puerta al compartimiento que se lava para evitar el peligro de los niños o de los pequeños animales que consiguen atrapados adentro antes de que su lavadora se quite de servicio o se deseche.** Falta de hacer puede dar lugar tan a daños corporales o a muerte serios.

REQUISITOS DE CONEXIÓN A TIERRA

IMPORTANTE: Lea cuidadosamente. PARA CONECTAR LA ELECTRICIDAD

⚠ ADVERTENCIA

Una conexión inapropiada del conductor de equipo a tierra puede resultar en riesgo de recibir una descarga eléctrica. Verifique con un electricista calificado si tiene dudas sobre si el aparato está correctamente conectado a tierra. No modifique la clavija provista con el aparato. Si no encaja con la toma de corriente, haga instalar una toma de corriente adecuada por un electricista calificado. No seguir estas instrucciones de seguridad puede ocasionar lesiones graves, de fuego, de descarga eléctrica, o la muerte.



INSTRUCCIONES PARA LA CONEXIÓN A TIERRA

Este aparato debe ser conectado a tierra. Dado el caso de descompostura ó mal funcionamiento, la conexión a tierra reduce el riesgo de recibir una descarga eléctrica proveyendo una vía de menor resistencia a la corriente eléctrica. Este aparato está equipado con un cable que tiene un conductor de equipo a tierra y una clavija de tierra. El enchufe debe ser conectada en una toma de corriente adecuada que esté propiamente instalada y conectada a tierra de acuerdo con los códigos y ordenanzas locales.

CARACTERÍSTICAS Y BENEFICIOS

PIEZAS Y COMPONENTES CLAVE

A CAJÓN DE DEPÓSITO DE DETERGENTE

Hay cuatro compartimientos debajo de la tapa, una para cada uno prelavado, lavado principal, blanqueador líquido, and suavizante líquido de telas.

B PANTALLA DE LED DEL PANEL DE CONTROL

La pantalla LED de lectura sencilla muestra opciones de ciclo, configuraciones, el estado del ciclo y tiempo restante estimado durante el funcionamiento.

NOTA: Los sensores de la lavadora detectan automáticamente el tamaño de la carga para optimizar el tiempo de lavado, en base al ciclo seleccionado y las opciones.

C MOTOR DE ACCIÓN DIRECTA

El motor direct-drive proporciona un rendimiento y fiabilidad mejorados al tiempo que aumenta la eficacia energética. (El motor no es visible.)

D TAMBOR DE ACERO INOXIDABLE DE ULTRA CAPACIDAD

El tambor de acero inoxidable ultra grande ofrece una durabilidad extraordinaria y está inclinado para mejorar la eficiencia y permitir el acceso fácil para prendas grandes.

E COMPUERTA DE SEGURIDAD DE FÁCIL ACCESO

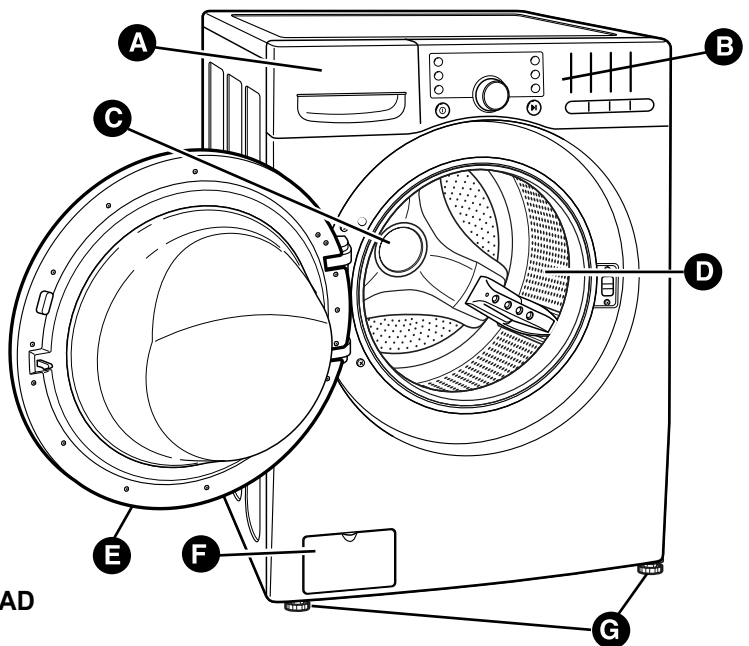
Las cerraduras de puerta extra grande que lo normal durante la operación y tienen una característica del retardo para evitar que la puerta sea abierta hasta que resulte seguro hacerlo.

F PANEL DE ACCESO AL FILTRO

Brinda fácil acceso al filtro de la bomba de drenaje, el cual le permite limpiar el filtro o retirar ítems perdidos sin necesidad de llamar al servicio técnico.

G PATAS NIVELADORAS CON TUERCAS DE FIJACIÓN DE AJUSTE A MANO

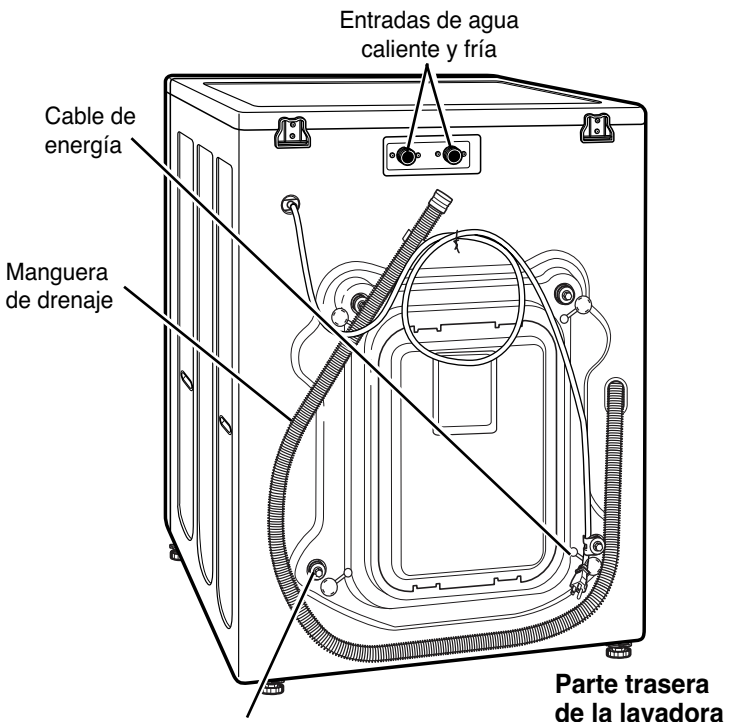
Cuatro patas niveladoras (dos en la parte frontal y dos en la trasera) ajustables para mejorar la estabilidad de la lavadora en pisos desnivelados. Los pies de nivelación se ajustan y bloquean en su posición usando la llave de ajuste incluida con la lavadora.



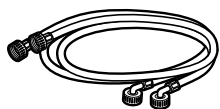
E COMPUERTA DE SEGURIDAD DE FÁCIL ACCESO

F PANEL DE ACCESO AL FILTRO

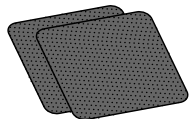
G PATAS NIVELADORAS CON TUERCAS DE FIJACIÓN DE AJUSTE A MANO



Accesorios incluidos



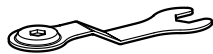
Mangueras de agua fría y caliente



Almohadillas antideslizantes



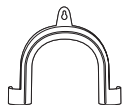
Tapón (4) (para tapar los agujeros de los pernos para transporte)



Llave (para sacar los pernos de embalaje y ajustar las patas niveladoras)



Correa de amarre (para asegurar la manguera de drenaje)



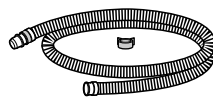
Abrazadera de codo (para asegurar la manguera de drenaje)

Pernos de embalaje/retenciones (4)

NOTA: Los pernos/retenciones **DEBEN** quitarse antes de la operación. Consérvelos para uso futuro. Ver página 38.

Accesorios Opcionales

Extensión de la manguera de drenaje



P/N 5215ER2002K

Kit de apilao (Para secadora)



D26 17002 (Blanco)
D26 17008 (Jengibre)
D26 17009 (Rojo chile)

REQUISITOS DE INSTALACIÓN

DIMENSIONES Y ESPECIFICACIONES CLAVE

Descripción	Lavadora de carga frontal
Requisitos eléctricos	120 VAC/60 Hz.
Dimensiones	27" (anchura) X 29 ³ / ₄ " (profundidad) X 38 ¹¹ / ₁₆ " (altura), 51 ¹ / ₈ " (profundidad con puerta abierto) 68,6 cm (anchura) X 75,6 cm (profundidad) X 98,3 cm (altura), 129,8 cm (profundidad con puerta abierto)
Peso neto	183 lb. (83 kg)

ESCOJA EL LUGAR ADECUADO

! ADVERTENCIA

- **La lavadora es pesada. Se necesitan dos o más personas para instalar y trasladar el electrodoméstico.** Si no se cumple con esto, se pueden producir daños sobre la propiedad o lesiones físicas graves.
- **Almacene e instale la lavadora en un lugar no expuesto a temperaturas inferiores a las de congelación ni a la intemperie.** Si no se cumple con esta advertencia se podrán producir heridas graves, incendios, descargas eléctricas o muerte.
- **Para su seguridad personal, este electrodoméstico debe ser conectado a tierra adecuadamente.** Si no se cumple con esta advertencia se podrán producir heridas graves, incendios, descargas eléctricas o muerte.
- **Conecte a tierra la lavadora siguiendo todos los códigos y ordenanzas legales.** Si no se cumple con esta advertencia se podrán producir heridas graves, incendios, descargas eléctricas o muerte.
- La apertura de la base no debe estar obstruida por una alfombra cuando la lavadora se instale en un piso alfombrado.
- **No elimine el cable de conexión a tierra. No use un adaptador o prolongador. Enchufe en un tomacorriente con conexión a tierra de 3 cables.** Si no se cumple con esta advertencia se podrán producir heridas graves, incendios, descargas eléctricas o muerte.

Tomacorriente

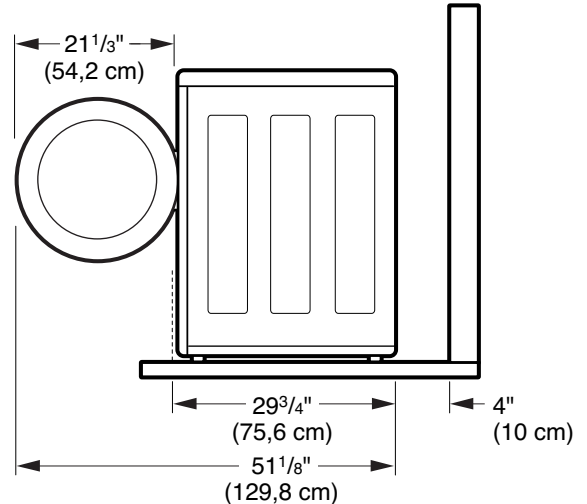
- El tomacorriente debe estar dentro de un área mínima de 1,5 m (60 pulgadas) a cualquiera de los lados de la lavadora.
- El electrodoméstico y el tomacorriente deben estar colocados de forma tal que se pueda acceder al enchufe fácilmente.
- No sobrecargar el tomacorriente con más de un electrodoméstico.
- El tomacorriente deberá estar puesto a tierra de acuerdo con los códigos y las regulaciones de cableado actuales.
- Se recomienda utilizar un fusible de demora de tiempo o disyuntor.

NOTA: Es responsabilidad y obligación personal del dueño del producto pedir a un persona del servicio técnico calificado que instale el tomacorriente adecuado.

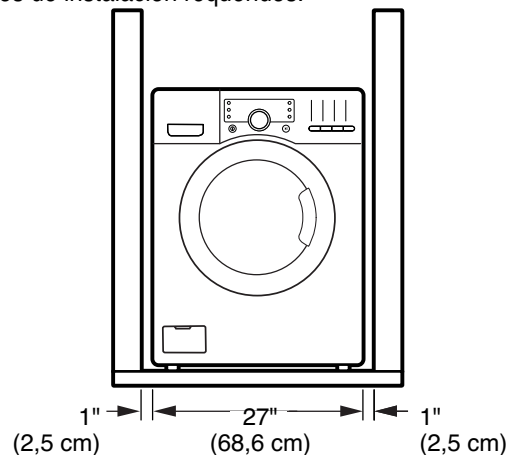
TIPO DE PISO

- Para minimizar el ruido y vibración, se DEBE instalar la lavadora en un piso sólidamente construido. Ver la NOTA a la derecha.
- La cuesta permisible debajo de la lavadora entera es una diferencia máxima de 1" de lado a lado o del frente a la parte trasera.
- No se recomiendan las superficies alfombradas o de baldosas blandas.
- Nunca instale la lavadora en una plataforma o estructura soportada con poca solidez.

ESPACIOS DE INSTALACIÓN



Para asegurar que se haya dotado de suficiente espacio para las tuberías de agua y flujo de aire, deje espacios mínimos de por lo menos 2,5 cm (1 pulgada) en los lados y 10 cm (4 pulgadas) detrás de la unidad. No olvidar prever espacio para las molduras de pared, puerta o piso que podrían aumentar los espacios de instalación requeridos.



Deje por lo menos 54 cm (21,25 pulgadas) al frente de la lavadora para poder abrir la compuerta.

NOTA: Tome en cuenta que el piso debe ser lo suficientemente fuerte y rígido para soportar el peso de la lavadora cuando se encuentra completamente cargada, sin flexionarse ni rebotar. Si su piso tiene mucha flexión, podría necesitar reforzarlo para hacerlo más rígido. Un piso adecuado para una lavadora de carga por la parte superior podría no ser lo suficientemente rígido para una de carga frontal debido a la diferencia en la dirección y velocidad del centrifugado. Si el piso no es sólido, su lavadora podría vibrar y la vibración podría sentirse en toda la casa.

INSTRUCCIONES PARA LA INSTALACIÓN

DESEMBALAJE Y RETIRO DE LOS PERNOS DE EMBALAJE

Al retirar la lavadora de la base de cartón, asegúrese de quitar el soporte de base de espuma colocado en la mitad de la base de cartón. Consulte el siguiente dibujo.

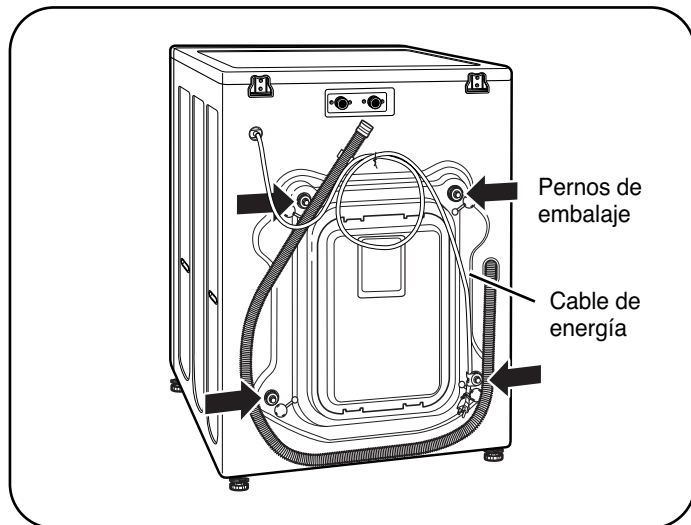
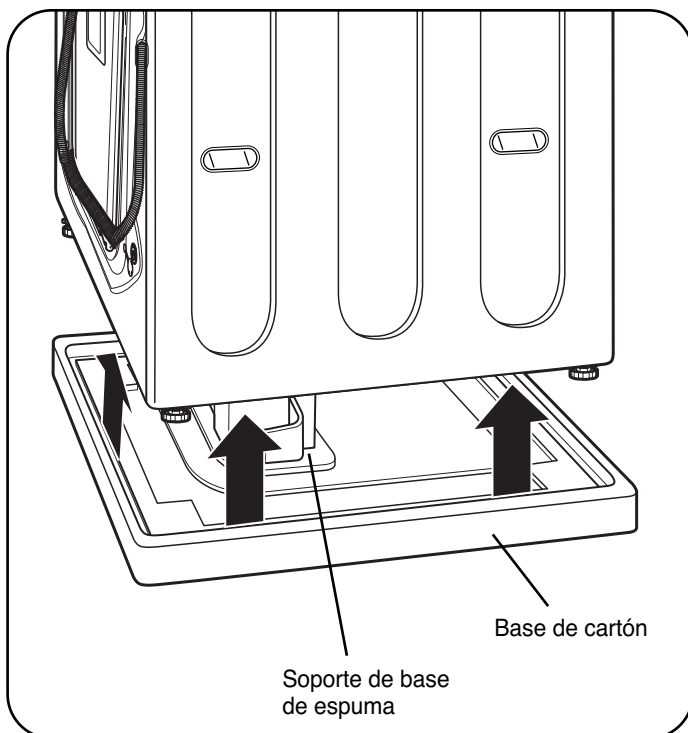
Si debe asentar la lavadora hacia abajo para quitar los materiales de embalaje de la base, siempre proteja el lado de la lavadora y dépositela con cuidado sobre su lado. **NO** asiente la lavadora sobre su parte frontal o posterior.

Para prevenir daños en el interior durante el transporte, la lavadora está equipada con cuatro pernos de embalaje y sujetadores plásticos.

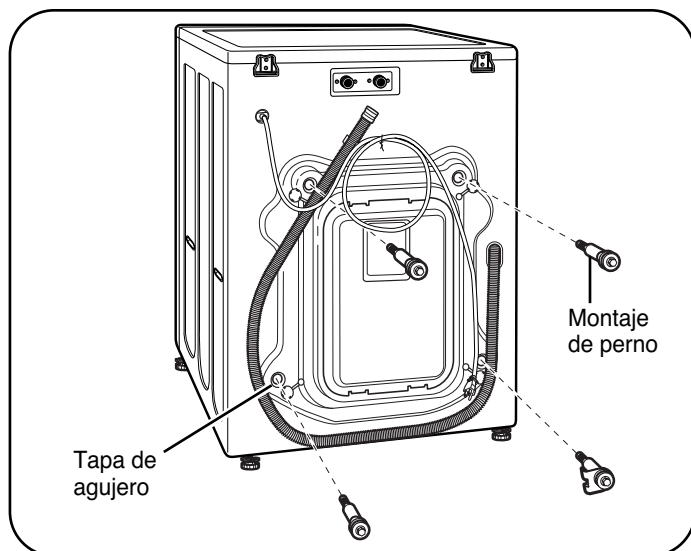
IMPORTANTE:

- Estos tornillos y tensores de embalaje **NO SE DEBEN** retirar hasta antes de mover la lavadora a su posición final.
- Se **DEBEN** quitar estos pernos y sujetadores antes de poner en funcionamiento la lavadora.
- De lo contrario se podría causar vibración y ruido severos, que podrían causar daños permanentes a la lavadora.

NOTA: El cable está asegurado a la parte posterior de la lavadora con un perno de embalaje para prevenir el funcionamiento con los pernos colocados.



1. Comenzando por los 2 pernos de embalaje inferiores, use la llave incluida para aflojar totalmente los 4 pernos de embalaje rotándolos en sentido contrario a las agujas del reloj.

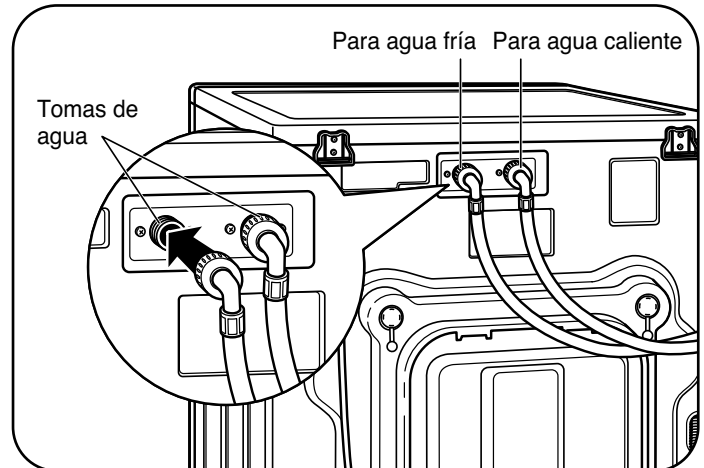


2. Retire los ensamblajes de los tornillos moviendo los mismos suavemente al retirarlos.
3. Ubique las cuatro tapas de orificio incluidas en el paquete de accesorios e instálelas en los orificios de los pernos de embalaje.

NOTA: Guarde las juntas de tornillos para un uso futuro. Para evitar daños sobre los componentes internos, las juntas de tornillos deben ser instaladas al transportar la lavadora.

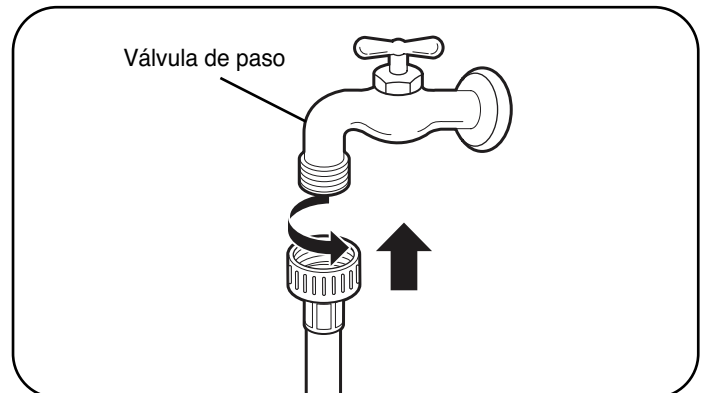
CONEXIÓN DE LAS TUBERÍAS DE AGUA

- **IMPORTANTE:** Cuando instale la lavadora use mangueras nuevas. NO reutilice mangueras viejas.
- **IMPORTANTE:** Usar **SOLAMENTE** las mangueras de la entrada proporcionadas de este producto del lavadero. Las mangueras del mercado de accesorios no están garantizadas para caber o para funcionar correctamente. Otras mangueras pueden no apretar correctamente y podrían causar los escapes. El daños subsecuente al producto o a la propiedad no serán cubiertos de conformidad con la garantía del producto.
- La presión de suministro de agua debe estar entre 14,5 libras por pulgada cuadrada y 116 libras por pulgada cuadrada (100~800 kPa). Si la presión de suministro de agua es superior a 116 libras por pulgada cuadrada, debe instalar una válvula reductora de presión.
- Revise periódicamente que la manguera no tenga rajaduras, fugas y desgaste, y reemplácela de ser necesario.
- Asegúrese de que las tuberías de agua no se encuentren extendidas, apretadas, aplastadas o curvadas.
- Nunca se debe instalar ni almacenar la lavadora en un lugar expuesto a temperaturas de congelamiento. Pueden dañarse las tuberías de agua y mecanismos internos de la lavadora. Si la arandela fue expuesta a las temperaturas de congelación antes de la instalación, permita que se coloque en la temperatura ambiente por varias horas antes de usar y verifique la presencia de pérdidas antes del funcionamiento.

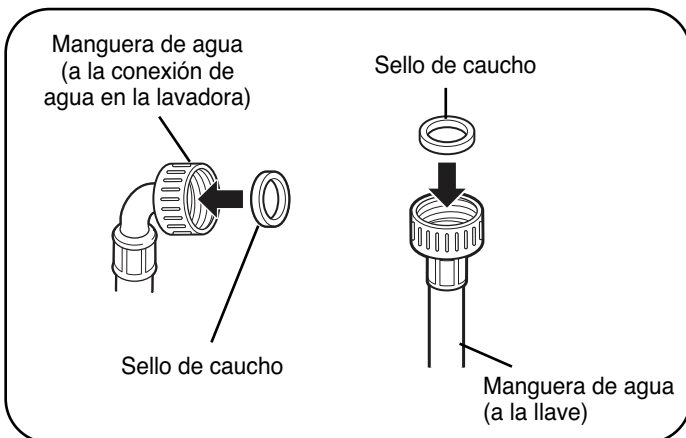


2. Sujete la línea roja de agua caliente a la entrada de agua caliente ubicada en la parte trasera de la lavadora. Sujete la línea azul de agua fría a la entrada de agua fría ubicada en la parte trasera de la lavadora. Ajuste las conexiones con firmeza.

NOTA: Asegúrese de no enroscar mal los accesorios de la manguera porque esto dañará la válvula y puede provocar daños a la propiedad debido a pérdidas.



3. Conecte las tuberías de agua a las llaves de paso de agua caliente y fría y apriete las conexiones con la mano. A continuación, utilice unos alicates para apretarlas otro 2/3 de vuelta. Abra las llaves de paso del agua y revise si hay fugas.



1. Inspeccione el accesorio roscado de cada manguera y verifique que haya un sello de goma en ambos extremos.

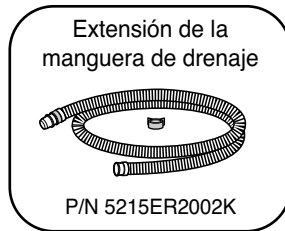
INSTRUCCIONES PARA LA INSTALACIÓN

CONEXIÓN DE LA MANGUERA DE DRENAJE

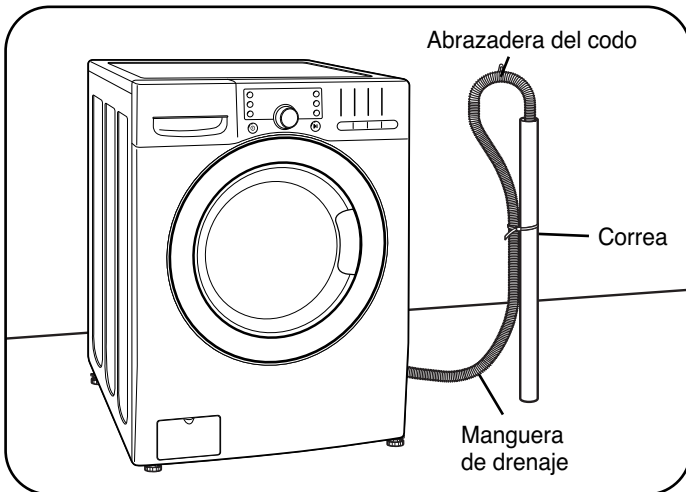
- La manguera de drenaje siempre debe estar asegurada adecuadamente. No asegurar adecuadamente la manguera de drenaje puede resultar en inundación o daños a la propiedad.
- No instalar el extremo de la manguera a una altura de más de 2,44 m (96 pulgadas) sobre la parte inferior de la lavadora.
- El drenaje debe instalarse según todos los códigos y regulaciones locales vigentes.
- Asegúrese de que la manguera de drenaje no se estire, pinche, rompa ni retuerza.

NOTA:

Tiene a su disposición un kit de extensión para la manguera de drenaje si ésta no dispusiera de la suficiente longitud. No use mangueras de drenaje de longitud superior a 6 pies, ya que se producirá una descarga de agua deficiente y, como consecuencia, un mal rendimiento del lavado y centrifugado.



Opción 1: Tubo vertical



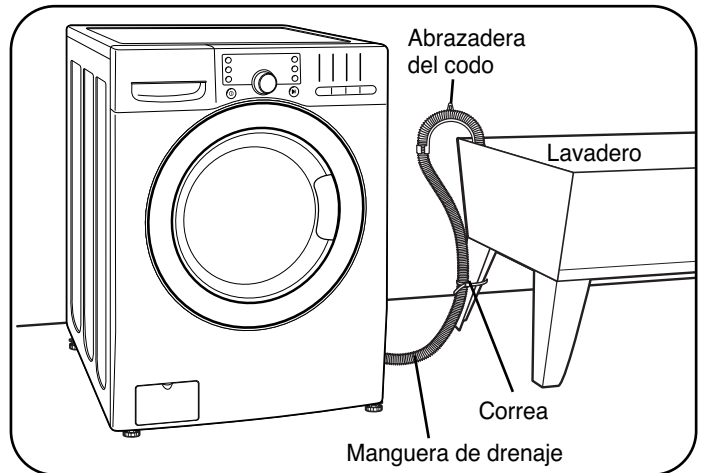
El soporte del codo debe instalarse cerca del extremo de la manguera de desagüe. Inserte el extremo de la manguera de drenaje en el tubo vertical. Utilice la correa para asegurar la manguera en su lugar.

NOTA:

- La altura total de extremo de la manguera no deberá sobrepasar 244,8 cm (96 pulgadas) desde la parte inferior de la lavadora.
- La manguera de desagüe no debe introducirse más de 8–12 pulgadas dentro de la columna vertical.

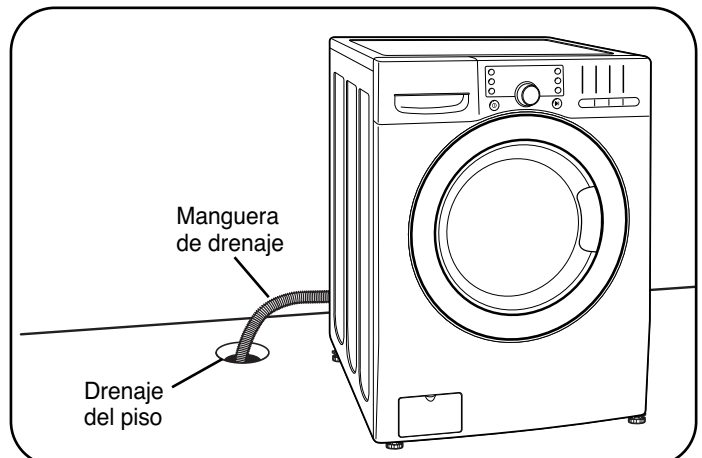
NOTA: Si la tubería de drenaje se extiende más de 2 pulgadas después del final de la abrazadera de codo, se podrían acumular moho o microorganismos en el interior de la lavadora.

Opción 2: Lavadero



El soporte del codo debe instalarse cerca del extremo de la manguera de desagüe. Cuelgue el extremo de la manguera sobre el lado del lavadero. Utilice la correa para asegurar la manguera en su lugar.

Opción 3: Drenaje del piso

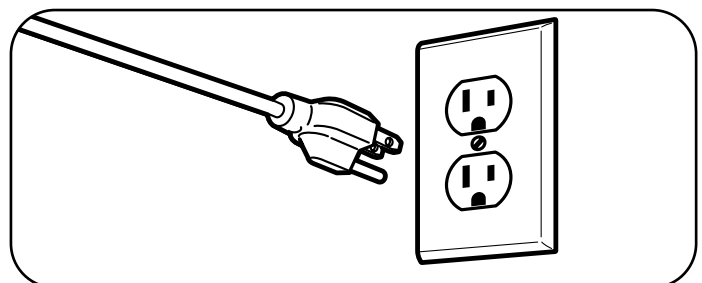


Inserte el extremo de la manguera de drenaje en el drenaje del piso. Asegure la manguera para prevenir su movimiento.

CONECTAR AL TOMACORRIENTE

La lavadora se debe estar conectada a un tomacorriente de 120-VAC, 60-Hz., con 3 cables con conexión a tierra.

Enchufe la lavadora.



INSTRUCCIONES PARA LA INSTALACIÓN

NIVELACIÓN DE LA LAVADORA

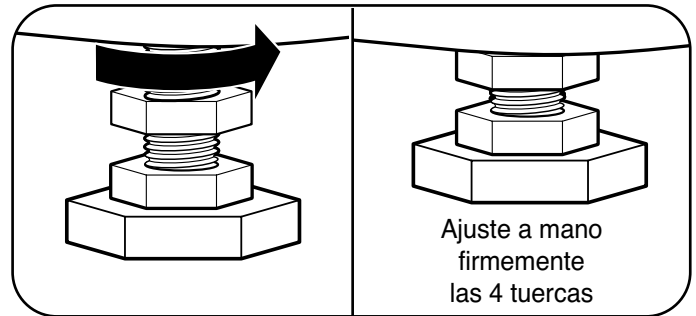
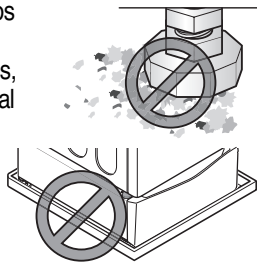
El tambor de su nueva lavadora centrifuga a velocidades muy altas. Para minimizar la vibración, el ruido y movimiento no deseados, el piso deberá ser una superficie perfectamente nivelada y sólida.

NOTA: Fije las patas niveladoras solo en la medida necesaria para nivelar la lavadora. La extensión de las patas niveladoras más de lo necesario puede causar vibración de la lavadora.

NOTA: Antes de instalar la lavadora, retire los objetos extraños del suelo y límpielo. La presencia de polvo, agua, aceite, detergentes, etc., podría producir vibraciones debido al mal contacto de las patas con el suelo.

NOTA: Antes de instalar la lavadora, asegúrese de que el piso esté limpio, seco y libre de polvo, suciedad, agua y aceites, ya que los pies de apoyo del electrodoméstico podrían deslizarse con dificultad. Los pies de apoyo podrían moverse o deslizarse, conllevando una vibración y ruido excesivos derivados de un contacto deficiente con el piso. Examine la sección **INSTALACIÓN DE ALMOHADILLAS ANTIDESLIZANTES** que aparece a continuación, para obtener más información.

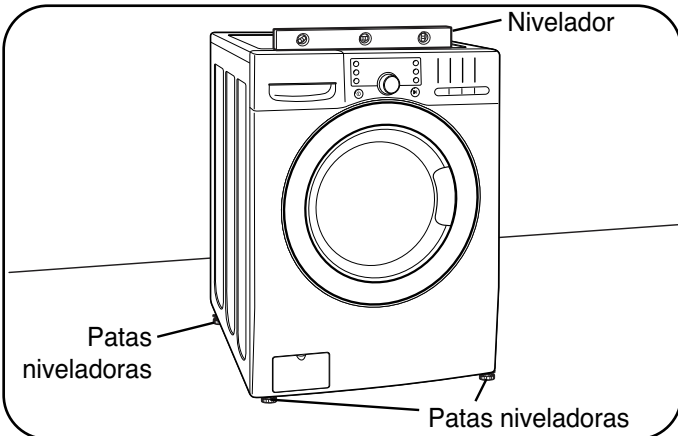
• Las 4 patas niveladoras deberán apoyarse firmemente en el piso. Intente mover la lavadora de una esquina hacia otra para asegurar que los cuatro pies de nivelación tengan un contacto firme sobre el piso.



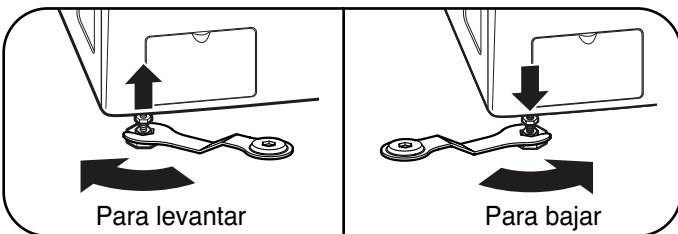
3. Una vez que la lavadora se encuentre nivelada de lado a lado y atrás y adelante, use la llave de ajuste para apretar firmemente todas las tuercas de seguridad y así prevenir el desajuste de los pies de nivelación durante el funcionamiento. Asegúrese de que las 4 patas niveladoras se encuentran haciendo contacto firme con el piso.

NOTA: Para asegurar que la lavadora está nivelada adecuadamente, hágala funcionar con una carga de prueba: coloque una carga de tamaño medio en la máquina. Luego, apriete **POWER (ENCENDIDO)**, Seleccione **EXPRESS WASH (lavado expreso)**, y el botón de **START/PAUSE (INICIO/PAUSA)**. Vea las siguientes secciones para obtener información adicional sobre la selección y el funcionamiento de ciclos.

Verifique que la lavadora no se meza o vibre excesivamente durante el ciclo de centrifugado. Si la lavadora vibra o las sacudidas, ajuste los pies de nivelación, mientras la lavadora está girando, hasta que las vibraciones se reduzcan a un mínimo.



1. Coloque la lavadora en el lugar final, tomando la precaución especial de no apretar, forzar ni aplastar las tuberías de drenaje y agua. Coloque un nivelador en la parte superior de la lavadora.



2. Afloje las tuercas de seguridad en las 4 patas niveladoras hasta que pueda girar la pata con la llave incluida. Girar el pie nivelador en dirección hacia las agujas del reloj lleva el mismo hacia abajo y eleva la lavadora; girar el pie en contra de las agujas del reloj eleva el pie y lleva la lavadora hacia abajo. Eleve o lleve hacia abajo los pies niveladores hasta que la lavadora esté nivelada de un lado a otro y desde el frente hasta atrás. Asegúrese que los cuatro pies niveladores tengan un contacto firme sobre el piso.

NOTA: Si está instalando la lavadora sobre un pedestal opcional, los pies niveladores se deberán plegar totalmente. Use los pies niveladores sobre el pedestal para nivelar la lavadora.

INSTALACIÓN DE LAS ALMOHADILLAS ANTIDESLIZANTES (opcional)

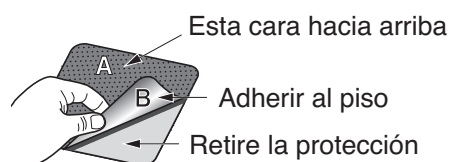
Las superficies de algunos pisos son demasiado deslizantes para evitar que la lavadora se mueva sobre el piso durante los ciclos de lavado de cargas fuertemente desbalanceadas.

Aunque se considera normal el desbalanceo puntual de ciertas cargas, se pueden producir ruidos y vibraciones excesivos debidos al desplazamiento de la lavadora.

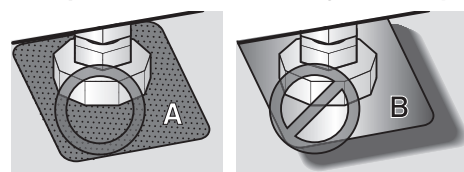
Si se produjesen estas condiciones, siga las instrucciones expuestas a continuación relativas a la instalación de las almohadillas antideslizantes.

Estas almohadillas antideslizantes ayudarán a evitar que la lavadora se desplace durante los ciclos de lavado con carga fuertemente desbalanceada, al mismo tiempo que reducirán el ruido y la vibración.

Almohadillas antideslizantes



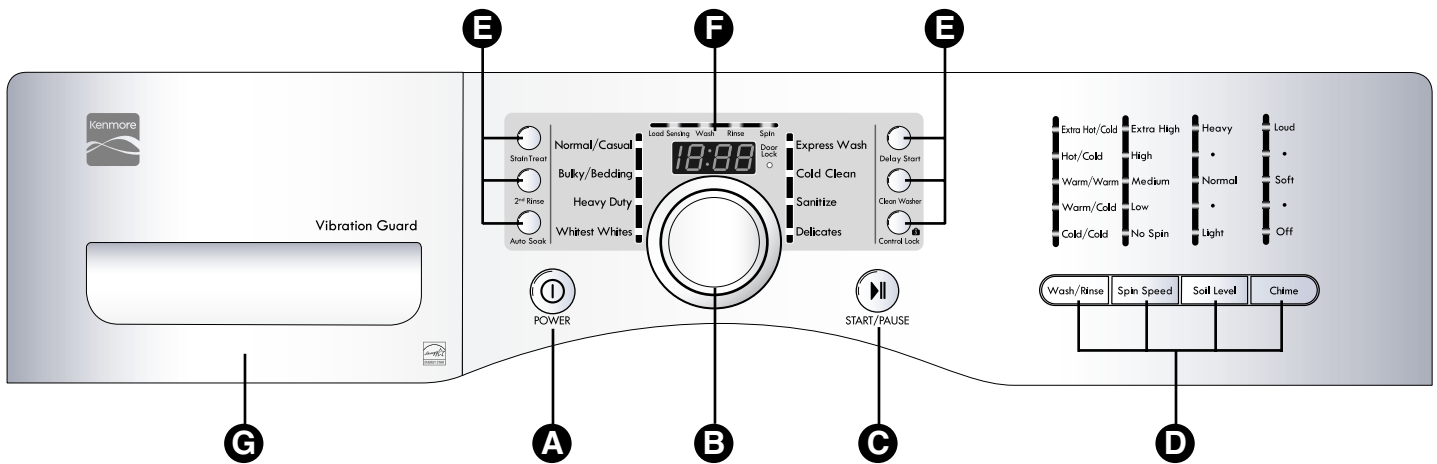
* Coloque las almohadillas bajo ambos pies frontales



CÓMO USAR

ADVERTENCIA: Para reducir el riesgo de incendios, descargas eléctricas o heridas, lea este manual en su totalidad, incluyendo las Instrucciones Importantes de Seguridad, antes de operar la lavadora.

CARACTERÍSTICAS DEL PANEL DE CONTROL



A BOTÓN POWER ON/OFF (ENCENDIDO/APAGADO)

Apriete el botón para POWER (ENCENDER) la lavadora. Apriete nuevamente para APAGAR la lavadora.

NOTA: Aprestar el botón de POWER (ENCENDER) durante un ciclo cancelará ese ciclo y borrará cualquier programación de carga. La puerta se destrabará después de una breve pausa a menos que el nivel de agua o la temperatura son muy elevados.

B PERILLA SELECTORA DE CICLOS

Dé vuelta a esta perilla para seleccionar el ciclo deseado. Una vez que se ha seleccionado el ciclo deseado, las precolocaciones estándar serán demostradas en la exhibición. Estos ajustes se pueden ajustar usando los botones del ajuste del ciclo en cualquier momento antes de comenzar el ciclo. (Ver la tabla de ciclos de la página 44 con las configuraciones permitidas. Para proteger sus telas, no todas las configuraciones se permiten en todos los ciclos).

C BOTÓN DE INICIO/PAUSA

Apriete el botón para INICIAR el ciclo seleccionado. Si la lavadora está funcionando, utilice este botón para PAUSAR el ciclo sin perder la programación actual.

NOTA: Si no aprieta el botón de START/PAUSE (INICIO/PAUSA) en un plazo de 4 minutos después de seleccionar un ciclo, la lavadora se apagará automáticamente.

D BOTONES DE PROGRAMACIÓN DE CICLOS

Utilice estos botones para seleccionar las opciones de ciclo deseadas para el ciclo seleccionado. Las luces ubicadas sobre los botones muestran la selección actual. Ver la página 49 para una descripción completa.

NOTA : No todas las configuraciones están disponibles en todas las selecciones de ciclos. Para más detalles, lea el cuadro de la página 44.

E BOTONES ESPECIALES DE CICLOS Y OPCIONES

Estos botones se usan para activar los ciclos y opciones especiales. Para más detalles, lea el cuadro de la página 50.

F PANTALLA DE TIEMPO Y ESTADO

La pantalla muestra el tiempo restante estimado, estado del ciclo y estado del bloqueo de la puerta. Ver la página 48 para una descripción completa.

G DISPENSADOR

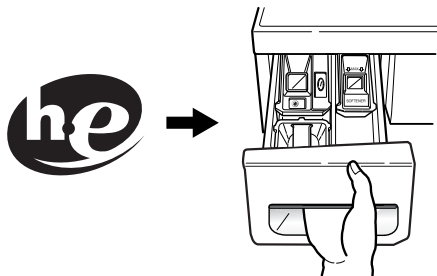
Gaveta del dispensador. Esta gaveta aloja los compartimentos para el detergente y los aditivos. Ver la página 46-47 para una descripción completa.

CÓMO USAR LA LAVADORA




1 CLASIFIQUE LA ROPA Y CARGUE LA LAVADORA

Consulte la página 45.



2 AÑADIR DETERGENTE Y OTROS PRODUCTOS

Abra la gaveta del dispensador y añada detergente  al compartimento principal de lavado. Añada la lejía y el suavizante que desee. Examine la página 46 y 47 para obtener información importante sobre el uso de detergentes y el dispensador.



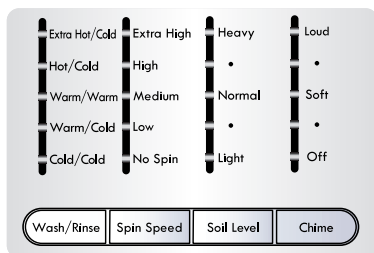
3 ENCIENDA LA LAVADORA

Presione el botón POWER (ENCENDIDO/APAGADO) para encender la lavadora. Los testigos luminosos que rodean el mando del selector de ciclo se iluminarán y emitirán un aviso sonoro al girarlo. Consulte la página 42.



4 SELECCIONAR UN CICLO

Gire el mando selector de ciclo en cualquier sentido para escoger el ciclo que desee. Se mostrarán los ajustes preestablecidos de temperatura de Wash/Rinse (lavado/enjuague), Spin Speed (velocidad de centrifugado), Soil Level (nivel de suciedad) y opciones para este ciclo. Consulte la página 42.

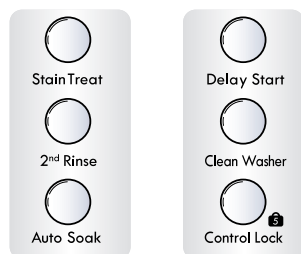


5 SELECCIONE LOS MODIFICADORES DE CICLO

Los ajustes predeterminados para el ciclo escogido podrán cambiarse ahora si lo desea. Esto puede llevarse a cabo usando los botones modificadores de ciclo tal y como se indica en la página 49.

(Wash/Rinse (lavado/enjuague), Spin Speed (velocidad de centrifugado), Soil Level (nivel de suciedad) y Chime (aviso sonoro).

NOTA: Para proteger sus telas, no todas las configuraciones se permiten en todos los ciclos.



6 SELECCIONE LAS OPCIONES DE CICLO

También puede incorporar opciones de ciclos por medio de los botones de opciones, tal como se indica en la página 50 (Stain Treat (convite de mancha), 2nd Rinse (2nd enjuague), Auto Soak (remojo automatico), Delay Start (inicio retardado), Clean Washer (limpieza de la lavadora) y Control Lock (bloqueo del control)).

NOTA: No todas las opciones están disponibles en todos los ciclos.



7 COMIENZE EL CICLO

Gire la perilla del START/PAUSE (INCIO/PAUSA) para comenzar el mismo. Una vez iniciado el ciclo, si se presiona la Perilla del START/PAUSE (INCIO/PAUSA) nuevamente la lavadora se detendrá y retendrá las configuraciones existentes durante 4 minutos.

CÓMO USAR

GUÍA DE CICLOS

La siguiente guía de ciclos muestra las opciones permitidas y los tipos de tela recomendadas para cada ciclo.

● = Opción disponible

■ = Configuración por omisión

Ciclo				Modificadores			Options		
Ciclo	Tipo de tela	Tiempo (min.)	Movimiento de lavado	Temp. Lavado/Enjuague	Velocidad de centrifugado	Nivel de suciedad	Auto Soak	2 nd Enjuague	Tratamiento anti-manchas
Normal/Casual (Normal/Informal)	Algodón, lino, toallas, camisas, vaqueros, jeans, cargas mixtas	50-59	○	Tibio/Frío	Alto	Normal			
				Tibio/Tibio	Extra alto	Pesado	●	●	●
				Caliente/Frío	No exprimido	Leve			
Bulky Bedding (Voluminos/ Ropa de cama)	Prendas grandes tales como mantas y edredones	59		Tibio/Frío	Bajo	Normal			
				Tibio/Tibio	Medio	Pesado	●	●	●
				Caliente/Frío	No exprimido	Leve			
Heavy Duty (Deber Pesado)	Algodón pesado manchado fabrics	74-80	○	Tibio/Frío	Extra alto	Pesado			
				Tibio/Tibio	No exprimido	Leve	●	●	●
				Caliente/Frío	Bajo	Normal			
Whitest Whites (Blancos blanquísimos)	Prendas blancas	69-75	○	Caliente/Frío	Alto	Normal			
				Frío/Frío	Extra alto	Pesado	●	●	●
				Tibio/Frío	No exprimido	Leve			
Express Wash (Lavado expreso)	Ropa ligeramente sucia y cargas	20		Caliente/Frío	Extra alto	Leve			
				Frío/Frío	No exprimido	Normal		●	
				Tibio/Frío	Bajo	Pesado			
Cold Clean (Limpieza en frío)	Cargas pequeñas de algodón, lino, toallas, camisas, sábanas, tejanos y cargas mixtas.	57-63	○	Frío/Frío	Alto	Normal			
					Extra alto	Leve	●	●	
					No exprimido				
Sanitize (Desinfección)	Ropa interior muy sucia, ropa de trabajo, pañales, etc.	101-107		Extra caliente/Frío	Alto	Normal			
					Extra alto	Pesado	●	●	●
					No exprimido	Leve			
Delicates (Artículos delicados)	Camisas de etiqueta/ blusas, prendas de nylon, muy finas o de encaje	42		Frío/Frío	Medio	Normal			
				Tibio/Frío	No exprimido	Pesado	●	●	
				Tibio/Tibio	Bajo	Leve			

NOTA: Para proteger sus prendas de vestir, no todas las temperaturas de lavado/enjuague, velocidades de centrifugado, niveles de suciedad u opciones están disponibles en cada ciclo.

○ **NOTA:** estos ciclos usan varios movimientos de lavado para mejorar el rendimiento de la limpieza y/o del cuidado de los tejidos. Estos movimientos de lavado podrían sonar de forma diferente a lo largo de los distintos ciclos de lavado. Esto se considera normal.

NOTA: La lavadora programa automáticamente el tiempo de lavado según la cantidad de prendas de lavado, presión del agua, tiempo de calentamiento del agua y otras condiciones de funcionamiento.

CLASIFICACIÓN DE LAS CARGAS DE LAVADO

Etiquetas de cuidado de las telas

La mayoría de las prendas de vestir disponen de una etiqueta. Usando el cuadro expuesto a continuación, ajuste el ciclo y opciones para tratar sus prendas según las recomendaciones proporcionadas por el fabricante.

Etiquetas de cuidado de las telas

Ciclo de lavado a máquina

Normal	Planchado permanente/ Antiarrugas	Suave/ Delicado

Lavado manual

Lavado manual	No lavar	No escurrir

Temperatura del agua

Caliente (50°C/120°F)	Tibia (40°C/105°F)	Fria (30°C/85°F)

Símbolos del blanqueador

Cualquier blanqueador (cuando se necesita)	Cualquier blanqueador sin cloro (cuando se necesita)	No blanquear

Agrupamiento de prendas similares

Para los mejores resultados de lavado y reducir la posibilidad de daño a la ropa, el cuidado debería ser tomado para clasificar la ropa en las cargas que están compuesto de artículos similares. La mezcla de tipos de tela diferentes y/o niveles de suelo puede pobre lavar al funcionamiento, colorear la transferencia o la decoloración, el daño de tela o linting. Las telas deberían ser clasificadas en grupos como descrito debajo.

Colores

Artículos de clase por color. Lave a la ropa oscura juntos en una carga separada de colores ligeros(de luz) o blancos. La mezcla de la ropa oscura con la ropa ligera(de luz) puede causar la transferencia de tinte o la decoloración de la ropa ligera.

Nivel de Suelo

Lave a la ropa pesadamente manchada juntos. El lavado de la ropa ligeramente manchada en la misma carga con la ropa pesadamente manchada podría causar pobre lavan al funcionamiento para la ropa ligeramente manchada.

Tipo de Tela

Artículos delicados no deberían ser mezclados con tipos de tela más pesados o sturdier. El lavado delicates en una carga con telas pesadas puede causar el daño a las telas más delicadas. El lavado de telas más pesadas en una carga delicada puede causar pobre lavan al funcionamiento para las telas más pesadas y el daño posible al delicates.

Tipo de Hilas

Algunas telas atraen y les atan hilas mientras los otros emiten hilas en el proceso de lavandería. Evite mezclar a estos colectores de hilas y productores de hilas en la misma carga. La mezcla de estas telas causará pilling y linting sobre los colectores de hilas. (Por ejemplo, el colector de hilas - teje el suéter; productor de hilas - terrycloth toallas)

Carga de la lavadora

- **Revise todos los bolsillos para asegurarse de que estén vacíos.** Artículos como clips, cerillos, plumas, monedas y llaves pueden dañar su lavadora o sus prendas.
- Cierre las cremalleras, ganchos y cordones para prevenir que estos artículos se enganchen o enreden en otras prendas.
- Trate previamente las áreas muy manchadas para obtener los mejores resultados.
- Combine prendas grandes y pequeñas en una carga. Cargue primero las prendas grandes.
- Las prendas grandes no deberán ser más de la mitad de la carga de lavado total.
- Se puede cargar la lavadora completamente, pero el tambor no puede quedar colmado de prendas. La compuerta de la lavadora deberá cerrar con facilidad.
- Para prevenir una carga fuera de balance, no lave prendas solas. Añada una o das prendas similares a la carga. Las prendas grandes, que requieren mucho espacio, tales como sábanas, cubrecamas o colchas se deben lavar individualmente.
- No lave ni centrifugue prendas impermeables, tales como abrigos para la lluvia, bolsas de dormir, etc.
- Cuando descargue la lavadora, revise debajo del sello de la compuerta para controlar que no haya artículos pequeños.

NOTA: Asegúrese de que el área del burlete de la puerta esté despejada al cerrar la misma. Sobrecargar la lavadora puede hacer que los ítems queden atrapados entre la puerta y el burlete. Esto puede dañar los ítems y el burlete.



**NO SOBRECARGUE EL TAMBOR
ASEGÚRESE VISTIENDO NO ES COGIDO EN LA
JUNTA DE PUERTA**

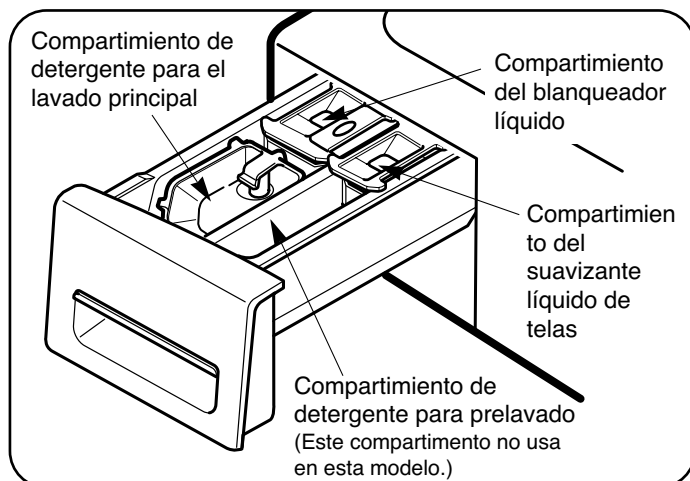
Clasifique los grupos de lavado...

por colores	por nivell de sudiedad	por tipo de tela	por hilas
Ropa blanca	Pesada	Delicada	Producteurr de peluche
Liviana	Normal	Mantenimie nto fácil	Recolectora de hilachas
Oscura	Liviana	Resistente	

DETALLES SOBRE EL DEPÓSITO

El cajón de suministro automático consiste en 4 compartimentos que almacenan:

- Blanqueador líquido.
- Suavizante líquido de telas.
- Detergente líquido o en polvo para el prelavado. (Este compartimento no se usa en este modelo.)
- Detergente líquido o en polvo y cloro a prueba de decoloramiento para el lavado principal.



Compartimiento de detergente para prelavado

La gaveta del dispensador dispone de un compartimento etiquetado con la denominación "Prewash" (prelavado). Sin embargo, este modelo no incluye la opción de prelavado. No vierta detergente en este compartimento. El detergente que se vierta en este compartimento no será dispensado y deberá vaciarse manualmente.

Compartimiento de detergente para el lavado principal

Este compartimento alberga el detergente para el ciclo de lavado principal; este detergente se agrega a la carga al comenzar el ciclo. Use siempre detergente tipo HE (alta eficiencia) con su lavadora. Se puede utilizar tanto detergente líquido como en polvo.

Cuando agregue detergente **nunca** sobrepase las recomendaciones del fabricante. Utilizar demasiado detergente puede resultar en la acumulación del mismo en las prendas y en la lavadora.

NOTA: Se puede agregar el blanqueador a prueba de decoloramiento líquido o en polvo al compartimento de lavado principal utilizando detergente del mismo tipo. **NO** agregue blanqueador líquido o en polvo a prueba de colores en el distribuidor de blanqueador. **NO** mezcle agentes limpiadores líquidos y en polvo dentro del mismo compartimento.

Compartimiento de blanqueador líquido

Este compartimento alberga blanqueador líquido, que se suministrará automáticamente en el momento adecuado del ciclo de lavado.

- No agregue blanqueador a prueba de decoloramiento líquido o en polvo a este compartimento. El compartimento del blanqueador está diseñado para distribuir blanqueador de cloro líquido únicamente. Los blanqueadores en polvo o líquidos a prueba de colores no se distribuirán de forma apropiada.
- Siga siempre las recomendaciones del fabricante cuando agregue blanqueador. No supere la línea de llenado máximo ya que el blanqueador podría derramarse inmediatamente provocando daños a las telas. Usar demasiado blanqueador puede dañar las telas.
- Nunca descargue blanqueador líquido no diluido directamente en la carga o en el tambor. Puede dañar las telas.

Compartimiento del suavizante

Este compartimento alberga el suavizante líquido de telas, que se suministrará automáticamente durante el ciclo de enjuague final.

Nunca supere las recomendaciones del fabricante cuando agregue suavizante. Utilizar demasiado suavizante puede provocar una acumulación en las prendas y en la lavadora. Puede utilizarse suavizante para telas en polvo o líquido.

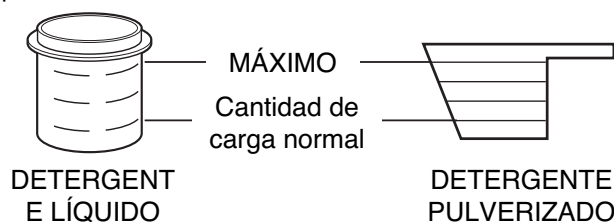
- Siga siempre las recomendaciones del fabricante cuando agregue suavizante. No exceda la línea de llenado máxima. Usar demasiado suavizante puede causar que las telas se manchen.
- Diluya los suavizadores de tela concentrados junto con agua caliente. No exceda la línea de llenado máxima.
- Nunca agregue suavizador de tela directamente en la carga o en el tambor.

USO DEL DETERGENTE Y EL DISPENSADOR

Información Sobre Detergentes

Los detergentes de alta eficiencia producen menos espuma, se disuelven más eficientemente para mejorar el desempeño de lavado y enjuague, y ayudan a mantener limpio el interior de su lavadora.

Utilizar un detergente que no sea HE puede provocar una espuma excesiva y un desempeño poco satisfactorio que podría generar errores de código, fallas en el ciclo y daños al aparato.



Para conseguir un rendimiento de lavado correcto, mida siempre el detergente según las indicaciones del fabricante.

La cantidad normal necesaria para cargas medias es sobre 1/2 a 3/4 del máximo recomendado. **Use menos detergente** para suave de agua, alumbre(encienda) el suelo o más pequeñas cargas. **Nunca** use más que la cantidad máxima recomendada por el fabricante detergente.



Diseñada para usar con el detergente tipo HE (Alta eficiencia)

IMPORTANTE: Su lavadora está diseñada para usarse exclusivamente con detergentes de alta eficiencia (HE). Los detergentes de alta eficiencia están formulados específicamente para las lavadoras de carga frontal y contienen agentes reductores de espuma. Busque siempre el símbolo de alta eficiencia (HE) cuando compra detergente.

IMPORTANTE: No todos los detergentes son los mismos. La atención cuidadosa debe ser pagada por la suma del detergente solía evitar oversudsing, aclarar pobre y la acumulación detergente en la ropa, y la acumulación de residuo que puede contribuir a olores en la máquina. **NUNCA** use una taza o la cucharada otra que esto suministrado por el fabricante del detergente que usted usa. Nunca use más que la cantidad máxima recomendada por el fabricante del detergente.

Mientras **ÉL** los detergentes son diseñados para este tipo de lavadora, cuidado debe estar acostumbrado midiendo el detergente. Para la mayoría de las cargas normales, no más que 1/2 a 3/4 de una taza o la cucharada de **ÉL** el detergente debería ser usado. **NOTE:** El cuidado suplementario debe ser ejercido usando 2X y 3X detergentes concentrados porque aún un poquito extra puede contribuir a los problemas mencionados anteriormente.

Cómo llenar el distribuidor

Para añadir detergente, blanqueador, y suavizante al cajón de suministro automático:

- 1 Abra la tapa de depósito.
- 2 Cargue los productos de lavado en los compartimientos adecuados.
- 3 Cierre la tapa antes de iniciar el ciclo.

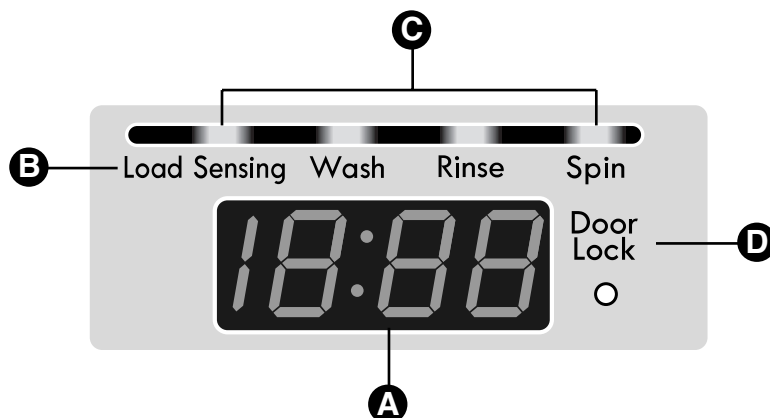
NOTA: Es normal que quede un poco de agua en los compartimientos de blanqueado y suavizante al final del ciclo.

IMPORTANTE: No coloque o almacene productos de lavado como detergente, blanqueador o suavizante líquido en la parte superior de su lavadora o secadora. Limpie inmediatamente cualquier derrame. Estos productos pueden dañar el acabado y los controles.

NOTA: No vierta detergente ni otros productos de lavado en el compartimento de prelavado. Este compartimento no se usa en este modelo.

LA PANTALLA DE TIEMPO Y ESTADO

La pantalla de tiempo y estado muestra el tiempo restante estimado, el progreso del ciclo y el estado de la puerta.



A TIEMPO RESTANTE ESTIMADO

Cuando se aprieta el botón START/PAUSE (INCIO/PAUSA), la lavadora detecta automáticamente la carga de lavado (peso) y optimiza el tiempo de lavado, en base al ciclo y las opciones seleccionados. Luego la pantalla indicará el tiempo restante estimado para dicho ciclo.

NOTA:

- El tiempo exhibido es estimado. Por ejemplo, el tiempo exhibido se puede pausar durante un período mientras la máquina está calentando el agua o equilibrando la carga. Bajo ciertas condiciones, la máquina se puede pausar por períodos de tiempo prolongados.
- El tiempo estimado está basado en condiciones de funcionamiento normal. Varios factores externos (temperatura del ambiente, temperatura del agua que entra, etc.) también pueden afectar la duración del tiempo estimado en relación al tiempo real del lavado.

B INDICADOR DEL SENSOR DE CARGA

Este piloto se iluminará al comenzar el ciclo, mientras el control calcula el tamaño de la carga. Una vez determinado el tamaño, el control ajustará el ciclo para obtener el rendimiento óptimo. El tiempo restante estimado no se mostrará hasta que se haya determinado la carga, pudiendo ser diferente para cada carga.

C INDICADOR DE ESTADO DEL CICLO

Éstos LEDs de estado se iluminan para indicar la parte del ciclo en ejecución. Una luz parpadeando indica la parte activa del ciclo. Al completarse dicha parte, la luz permanecerá fija.

D INDICADOR DE SEGURO DE LA COMPUERTA

Indica que la compuerta está asegurada. La compuerta de la lavadora se asegurará mientras la lavadora se encuentra funcionando. Se puede liberar la compuerta apretando el botón START/PAUSE (INCIO/PAUSA) ubicado en la parte superior de la lavadora.

NOTA:

- Si la temperatura en la lavadora es demasiado alta, no se podrá liberar la compuerta hasta que se haya enfriado la lavadora.
- Si el nivel de agua es demasiado alto, la puerta no se desbloqueará. Para descargar el agua, pulse el botón POWER (ENCENDER), a continuación, pulse el botón de SPIN SPEED (velocidad de centrifugado) sin escoger ningún ciclo. Pulse el botón de START/PAUSE (INCIO/PAUSA) y el agua será drenada y las prendas serán centrifugadas. No intente forzar la apertura de la puerta, podría dañarla.

BOTONES MODIFICADORES DE CICLO

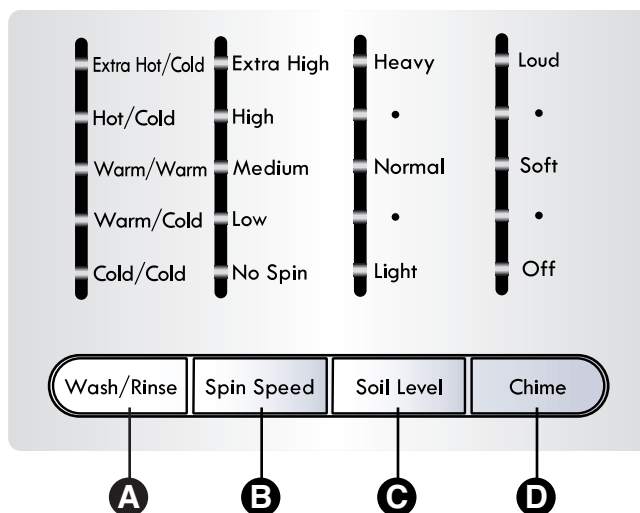
Cada ciclo tiene ajustes preprogramables que se seleccionan automáticamente. Usted también puede personalizar estas configuraciones utilizando los botones modificadores de ciclo.

Presione el botón para la modificación deseada hasta que se encienda la luz indicadora del valor deseado.

La lavadora ajusta automáticamente el nivel de agua según el tipo y tamaño de la carga de lavado para proporcionar los mejores resultados y eficiencia máxima. Debido a la

naturaleza altamente eficaz de este producto, es posible que los niveles de agua sean más bajos de lo esperado. El funcionamiento normal y la limpieza/enjuague no se verán comprometidos.

NOTA: Para proteger sus prendas de vestir, no todas las temperaturas de Wash/Rinse (lavado/enjuague), Spin Speed (velocidad de centrifugado), Soil Level (nivel de suciedad) y opciones están disponibles en cada ciclo. Vea la Guía en página 44 de ciclos para obtener más detalles.



A WASH/RINSE (lavado/enjuague)

Selecciona la combinación de temperatura de lavado y enjuague para el ciclo seleccionado. Apriete el botón WASH/RINSE (lavado/enjuague) hasta que la luz que indica el ajuste deseado se encienda.

- Su lavadora contiene un elemento de calentamiento que propulsa la temperatura del agua caliente para ajustes extra calientes (Extra Hot). Esto brinda un desempeño de lavado mejorado que con los ajustes de calefactor de agua normales.
- Seleccione la temperatura de agua adecuada para el tipo de carga que se encuentra lavando. Para mejores resultados, siga las etiquetas de cuidado de las prendas.
- Los enjuagues tibios se regulan en aproximadamente 86°F (30°C).
- Los enjuagues tibios dejan las prendas más secas que los enjuagues fríos, pero elevarán el consumo de energía y las prendas se arrugarán más.
- Los enjuagues fríos utilizan menos energía. La temperatura de enjuague real depende de la temperatura del agua fría del grifo.

B SPIN SPEED (velocidad de centrifugado)

START/PAUSE (INICIO/PAUSA) Este extrae más agua de las prendas, reduciendo el tiempo de secado y ahorrando energía.

Apriete el botón SPIN SPEED (velocidad de centrifugado) hasta que la luz que indica el ajuste deseado se encienda. Algunas telas, como las delicadas, requieren una velocidad de centrifugado más lenta.

El ciclo de Drain & Spin (drenaje y centrifugado):

1. Apriete el botón POWER (ENCENDER) para encender la lavadora.
2. Pulse el botón SPIN SPEED (velocidad de centrifugado) para escoger la velocidad a la que desee centrifugar. Para descargar el agua únicamente, escoja la opción NO SPIN.
3. Apriete el botón START/PAUSE (INICIO/PAUSA). El agua será descargada y se voltearán las prendas antes de que comience el programa de centrifugado.

C SOIL LEVEL (nivel de suciedad)

Ajusta el ciclo seleccionado para permitir más tiempo de lavado para prendas muy sucias o menos tiempo para prendas levemente sucias. Presione el botón SOIL LEVEL (nivel de suciedad) hasta que la luz que indica el ajuste deseado se encienda.

D CHIME (aviso sonoro)

Pulse repetidamente para ajustar el volumen del aviso sonoro. Podrá activar o desactivar el aviso sonoro y los tonos de tecla mediante el botón CHIME (aviso sonoro).

BOTONES DE OPCIÓN DE CICLO

Su lavadora dispone de varias opciones de ciclo adicionales, las cuales personalizan los ciclos para cumplir con sus necesidades individuales.

- 1 Encienda la lavadora y gire la perilla selectora de ciclos para seleccionar el ciclo deseado.
- 2 Utilice los botones modificadores de ciclo para ajustar las configuraciones para ese ciclo.
- 3 Apriete el(los) botón(es) de opción de ciclo para la opción que desea añadir. El botón LED se encenderá cuando se selecciona esa opción.
- 4 Apriete el botón START/PAUSE (INCIO/PAUSA) para iniciar el ciclo. La lavadora se iniciará automáticamente después de un breve período para trabar la puerta.

NOTA: Para proteger sus prendas, no todas las opciones están disponibles para todos los ciclos. Vea la Guía de ciclos para obtener más detalles.

NOTA: Si no pulsa el botón START/PAUSE (INCIO/PAUSA) tras 4 minutos, se desactivará el control y los cambios se perderán.

DELAY START (inicio retardado)



Delay Start

Una vez que haya seleccionado el ciclo y otros ajustes, apriete este botón para demorar el inicio del ciclo de lavado. Cada vez que se aprieta este botón se aumenta el tiempo de demora en lapsos de

1 hora, hasta 19 horas. Una vez ajustado el tiempo de retardo, pulse el botón START/PAUSE (INCIO/PAUSA) para iniciar el tiempo de retardo.

2nd RINSE (2nd enjuague)



2nd Rinse

Esta opción agregará un enjuague extra al ciclo seleccionado. Utilice esta opción para ayudar a asegurar el retiro del detergente o a blanquear residuo de telas.

STAIN TREAT (convite de mancha)



Stain Treat

Use esta opción para cargas con manchas difíciles que necesiten un tratamiento anti-manchas mejorado. Al escoger la función STAIN TREAT (convite de mancha), el agua comenzará el ciclo escogiendo a

temperatura media, para ayudar a prevenir la fijación de ciertos tipos de manchas. Entonces, a medida que el ciclo avanza, el agua irá calentándose a temperaturas cada vez mayores para ayudar a eliminar las manchas que exigen tratamientos a mayores temperaturas. Esta opción está diseñada para una óptima eliminación de manchas.

NOTA:

- Si escoge la función STAIN TREAT (convite de mancha) junto con el ciclo SANITIZE (desinfección), el programa comenzará con agua muy caliente; ajuste predeterminado para este ciclo que no puede cambiarse.

AUTO SOAK (remojo automático)



Auto Soak

Use la opción AUTO SOAK (remojo automático) para remojar las prendas y poder eliminar las manchas difíciles de los tejidos. Esta opción activa un ciclo de remojo de 30 minutos antes de iniciar el ciclo seleccionado.

- 1 Añada detergente únicamente en el compartimento de lavado principal del cajón dispensador. (Consulte la sección "Uso del dispensador" en las páginas 46-47.)
- 2 Seleccione el ciclo deseado.
- 3 Seleccione las opciones del ciclo.
- 4 Presione el botón START/PAUSE (INCIO/PAUSA).

FUNCIONES ESPECIALES

CONTROL LOCK (bloqueo del control)



Control Lock

Use esta opción para deshabilitar los controles. Se puede bloquear a la lavadora durante un ciclo. Esta función le permitirá evitar que los niños cambien los ciclos o pongan en funcionamiento la máquina. Una

vez activada, el CONTROL LOCK (bloqueo del control) debe desactivarse antes de poder usar los controles. Una vez apagada la lavadora, el botón permitirá prender la máquina, pero los controles continuarán bloqueados. Al bloquear los controles, el mensaje "CL" se alternará en pantalla con el tiempo restante estimado. Mantenga pulsado el botón CONTROL LOCK (bloqueo del control) durante 5 segundos para activar o desactivar los controles.

CLEAN WASHER (limpieza de la lavadora)



Clean Washer

Puede ocurrir la acumulación de residuos de detergente en el lavadero después de algún tiempo, lo que puede causar un olor a humedad o moho. El ciclo CLEAN WASHER (limpieza de la lavadora) está específicamente diseñado para eliminar estas acumulaciones usando lejía u otro limpiador formulado específicamente para la limpieza de lavadoras de carga frontal. El ciclo de CLEAN WASHER (limpieza de la lavadora) se debe activar una vez por mes, o con mayor frecuencia bajo condiciones de uso difíciles o si aparecen olores.

- 1 Prenda la lavadora y pulse el botón CLEAN WASHER (limpieza de la lavadora). Escoger cualquier otro ciclo tras CLEAN WASHER (limpieza de la lavadora), cancelará el ciclo de CLEAN WASHER (limpieza de la lavadora).
- 2 Llene el dispensador de blanqueador hasta la línea MAX con lejía de cloro líquida*. No llene el dispensador de lejía en exceso. Llenarlo en exceso provocará una dispensación inmediata de la lejía.
- 3 Pulse el botón START/PAUSE (INCIO/PAUSA) para iniciar el ciclo.
- 4 Después que haya terminado el ciclo, abra la compuerta y permita que el interior del tambor se seque completamente.

NOTA: NO use este ciclo con prendas, NI añada detergente o suavizante.

* Al usar limpiadores en polvo para tinas, añádalo en el compartimento de lavado principal de la gaveta del dispensador. Introduzca los limpiadores en pastillas directamente en la tina. Siga siempre las instrucciones y recomendaciones proporcionadas por los fabricantes de los limpiadores.

ADVERTENCIA: Para reducir el riesgo de incendio, choque eléctrico o lesiones físicas, lea y cumpla completamente este manual, incluyendo las instrucciones importantes de seguridad, antes de poner en funcionamiento esta lavadora.

- **Desenchufe la lavadora antes de limpiar la misma para evitar el riesgo de descargas eléctricas.** Si no se cumple con esta advertencia se podrán producir heridas graves, incendios, descargas eléctricas o muerte.
- **Al limpiar la lavadora nunca utilice químicos de corte, limpiadores abrasivos o solventes.** Los mismos dañarán su aspecto.

LIMPIEZA REGULAR

Limpieza del exterior

El mantenimiento adecuado de su lavadora podría prolongar su vida útil. El exterior de la unidad puede limpiarse con agua tibia y un detergente de jabón medio, no abrasivo. Limpie inmediatamente cualquier clase de fuga, con un trapo suave húmedo.

IMPORTANTE: No use alcohol desnaturalizado, disolventes o productos similares.

Nunca use limpiadores abrasivos o de lana metálica; pueden dañar la superficie.

Mantenimiento y limpieza del interior

Use una toalla o trapo suave para pasar por la apertura de la compuerta de la lavadora, el burlete y/o la compuerta de vidrio. Estas áreas deben mantenerse limpias para asegurar la impermeabilidad. Asegúrese de limpiar debajo del sello de caucho interior para eliminar cualquier resto de humedad o suciedad.

Siempre remueva artículos de la lavadora tan pronto como se complete el ciclo. De lo contrario se podrían causar arrugas, transferencias de color y mal olor.

Active el ciclo de CLEAN WASHER (limpieza de la lavadora) una vez al mes, o con mayor frecuencia si es necesario, para eliminar la acumulación de detergente y otros residuos.

Lea detenidamente estas instrucciones antes de iniciar el ciclo CLEAN WASHER (limpieza de la lavadora).

- 1 Abra la puerta y retire cualquier prenda existente en el tambor de lavado.
- 2 Abra el compartimento del dispensador.
- 3 Añada lejía de cloro líquida o limpiador de cubetas. Pueden usarse algunos limpiadores de cubetas en polvo o pastillas fabricadas a tal efecto. (NOTA: no añada ningún detergente o suavizante para ropa al realizar la CLEAN WASHER (limpieza de la lavadora)).
 - **Si usa lejía de cloro líquida**
Añada lejía de cloro líquida en el compartimento para lejía del dispensador. (NOTA: no rebese la línea de llenado máximo y no vierta lejía líquida sin diluir directamente dentro del tambor de lavado).
 - **Si usa limpiador en polvo**
Retire el recipiente de detergente líquido y añada limpiador en polvo al compartimento de lavado principal del dispensador.
 - **Si usa limpiador en pastillas**
Añada el limpiador en pastillas directamente al tambor de lavado. (NOTA: no añada limpiador en pastillas al dispensador).
- 4 Cierre el dispensador y la puerta de la lavadora.
- 5 Escoja el programa CLEAN WASHER (limpieza de la lavadora) y pulse INICIO.

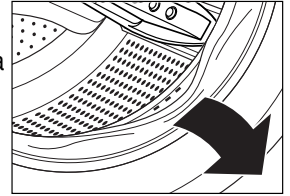
NOTA: Se recomienda usar el programa de CLEAN WASHER (limpieza de la lavadora) una vez al mes. Si ya se hubiera formado moho o se percibiese olor a humedad, ejecute el programa de CLEAN WASHER (limpieza de la lavadora) semanalmente durante 3 semanas. Una vez completado el programa de CLEAN WASHER (limpieza de la lavadora) o cuando la lavadora no vaya a usarse, deje la puerta de la máquina abierta para lograr una ventilación y un secado interior óptimo.

Limpieza de la junta de la puerta

Debido a la ubicación y naturaleza de la junta de la puerta, puede acumularse sobre ella detergente y residuos. Una limpieza periódica con una solución de blanqueador puede ayudar a quitar residuos y manchas y puede ayudar a desinfectar la junta para prevenir olores.

NOTA: Use guantes de goma y protección ocular mientras realiza el siguiente procedimiento:

- 1 Diluya 3/4 taza (177 ml) de lejía líquida con 1 galón (3,8 L) de agua tibia/caliente.
- 2 Utilice esta solución para limpiar todas las superficies de la junta a fin de quitar los depósitos. (La junta está rígida. Asegúrese de doblar el reborde de la junta para llegar bajo el extremo donde pueden acumularse residuos).
- 3 Limpie la junta con un paño seco.
- 4 Deje la puerta abierta para que la junta se seque por completo. No use lejía sin diluir porque puede dañar la junta.



NOTA:

- Siga las instrucciones del fabricante para un uso adecuado de la lejía.
- Si la junta no puede limpiarse adecuadamente, ésta debe cambiarse.

Eliminación de la acumulación de cal

Si vive en un área con agua dura, se pueden formar depósitos calcáreos a partir de los componentes internos de la lavadora. Se recomienda el uso de ablandador de agua en áreas con agua dura. Use el despuntador, tal como el Lavador Mágico (Washer Magic®) y haga funcionar el ciclo de CLEAN WASHER (limpieza de la lavadora) antes de lavar la ropa.

NO use lana de acero ni limpiadores abrasivos; pueden dañar la superficie.

Almacenamiento de la lavadora

Si no se utilizará la lavadora por un período prolongado de tiempo y se encuentra en un área que puede estar expuesta a temperaturas de congelamiento:

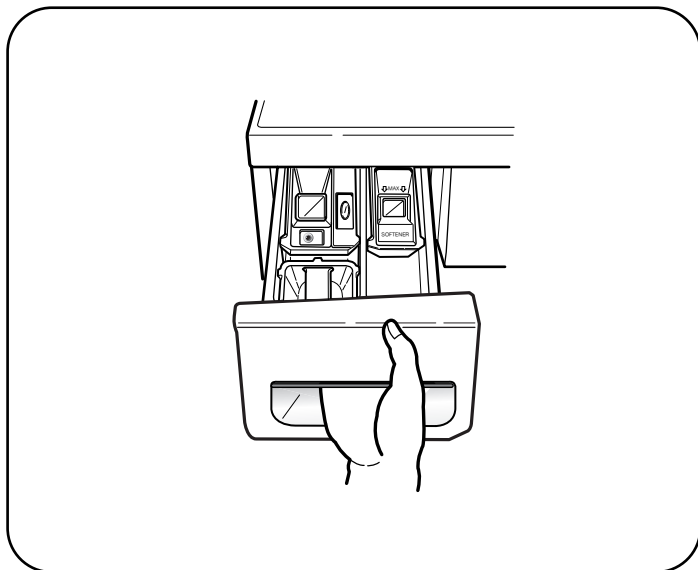
- 1 Cierre la llave de suministro de agua.
- 2 Desconecte las mangueras del suministro de agua y drene el agua de las mangueras.
- 3 Conecte el cable eléctrico a un tomacorriente conectado a tierra correctamente.
- 4 Añada 3,8 litros de anticongelante para vehículo recreacional en el tambor vacío de la lavadora. Cierre la compuerta.
- 5 Seleccione el ciclo de centrifugado y deje que la lavadora centrifugue por 1 minuto para drenar el agua.

NOTA: NO todo el anticongelante para vehículo recreacional será expulsado.
- 6 Desconecte el cable eléctrico, seque el interior del tambor con un trapo suave, y cierre la compuerta.
- 7 Quite los insertos del depósito. Drenecualquier resto de agua en los compartimientos y séquelos.
- 8 Almacene la lavadora en posición vertical.
- 9 Para eliminar el anticongelante de la lavadora después del almacenamiento, active la lavadora por un ciclo completo utilizando detergente. **¡No añada prendas para lavar!**

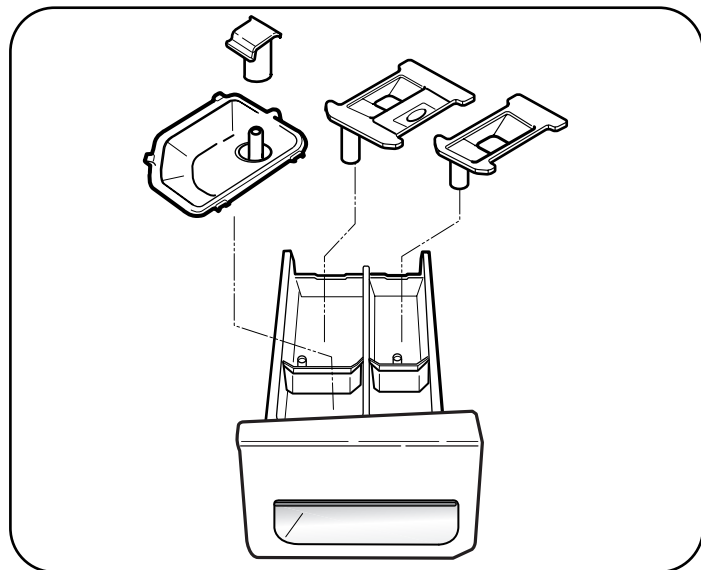
LIMPIEZA REGULAR (cont.)

Limpieza del depósito

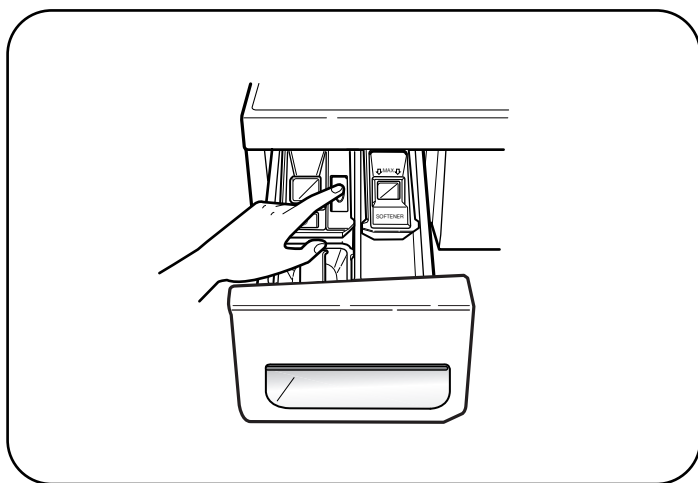
Se debe limpiar el depósito periódicamente para eliminar la acumulación de detergente y otros productos de lavandería que pueden hacer que el dispensador no distribuya el producto de lavado de forma adecuada.



1. Tire del cajón de depósito hasta que se detenga.



3. Remueva la caja del detergente líquido, blanqueador y suavizante de sus compartimentos.



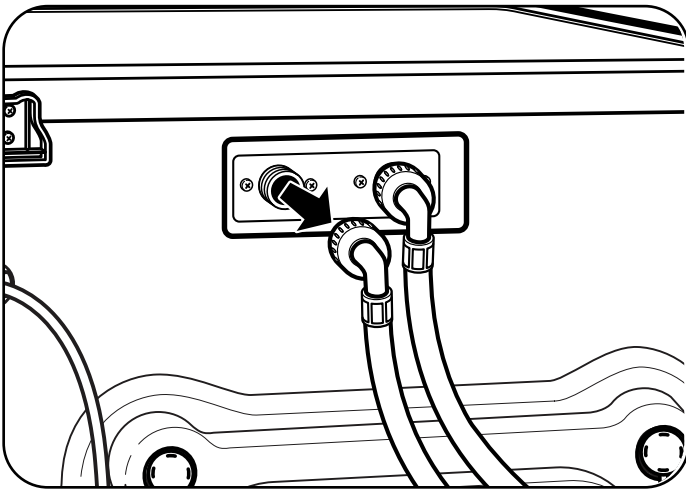
2. Presione abajo la lengüeta de la cerradura en el relleno del blanqueo. Quite el cajón.

MANTENIMIENTO

Limpieza de los filtros de entrada de agua

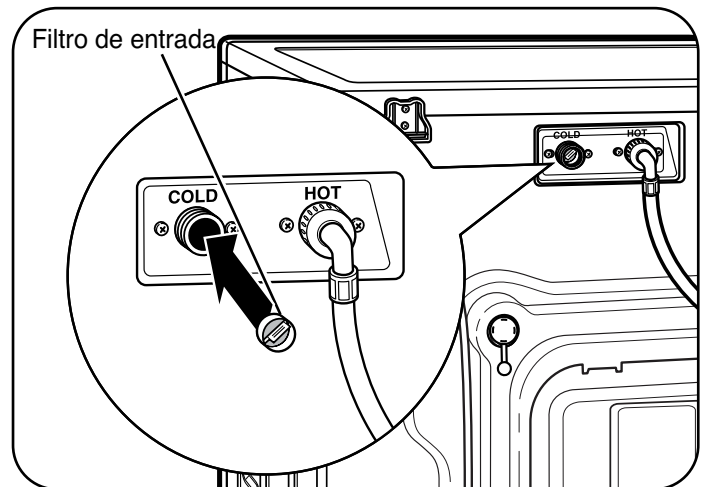
Si la lavadora detecta que el agua no está ingresando al cajón de depósito, se mostrará un mensaje de error en la pantalla. Los filtros de la válvula de entrada pueden enchufarse debido al sarro de agua dura, sedimentos en el suministro de agua, sarro en la tubería, etc.

NOTA: Los filtros de entrada evitan que las piezas delicadas de la válvula de llenado se dañen debido a partículas que pueden ingresar a las válvulas con el suministro de agua. Operar la lavadora sin los filtros puede provocar que una válvula se abra por error, lo que provocaría un derrame y/o daños a la propiedad.



1. Cierre ambas llaves de agua completamente. Desatornille las tuberías de agua caliente y fría de la parte posterior de la lavadora.

IMPORTANTE: Usar SOLAMENTE las mangueras de la entrada proporcionadas de este producto del lavadero. Las mangueras del mercado de accesorios no están garantizadas para caber o para funcionar correctamente. Otras mangueras pueden no apretar correctamente y podrían causar los escapes. El daños subsecuente al producto o a la propiedad no serán cubiertos de conformidad con la garantía del producto.

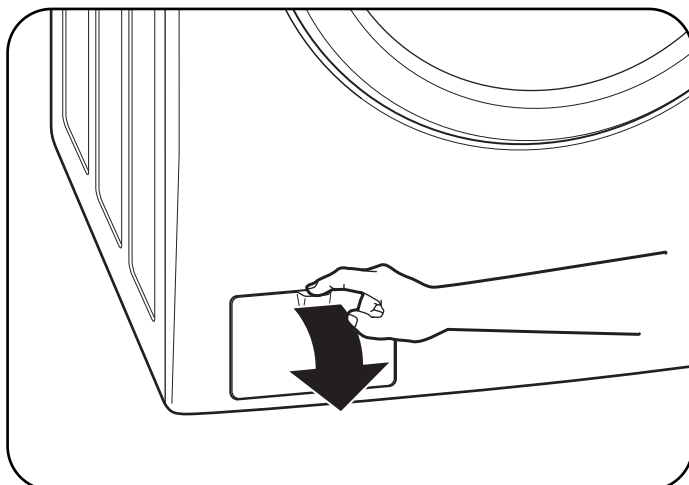


2. Con cuidado, quite los filtros de las válvulas de agua y empápelos en el vinagre blanco o un removedor de la escala de la cal, después de las instrucciones del fabricante. Aclare a fondo antes de reinstalar. Presione los filtros nuevamente dentro de lugar y reate las líneas de agua.

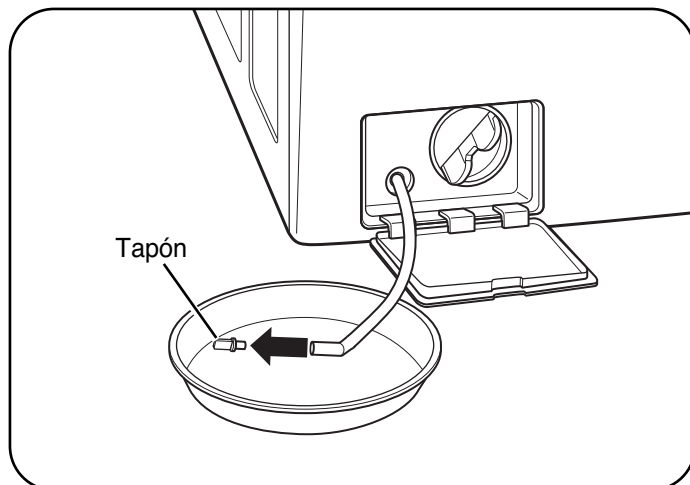
MANTENIMIENTO (cont.)

Limpieza del filtro de la bomba de drenaje

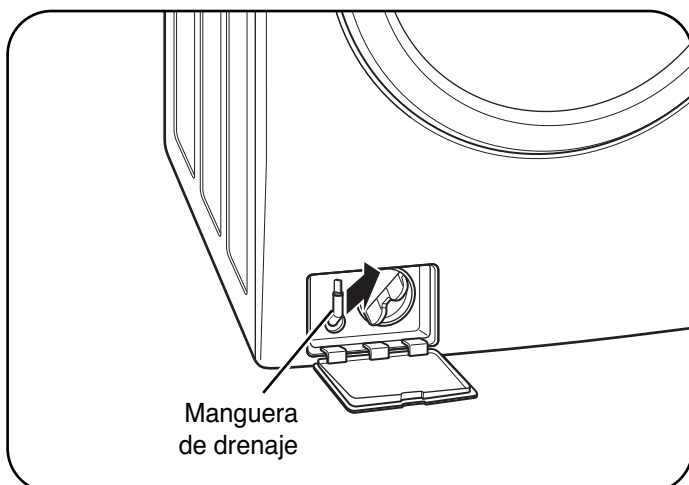
Su lavadora se encuentra equipada con un filtro que ayuda a evitar que la acumulación de pelusas y objetos extraños como botones, llaves y monedas provoquen daños a la bomba. Si la lavadora no drena adecuadamente, desconéctela y deje enfriar el agua, de ser necesario, antes de continuar.



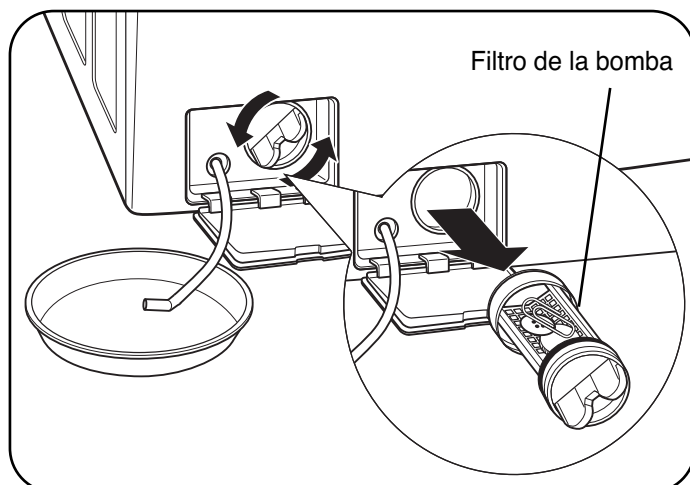
1. Abra el filtro del panel de acceso de la bomba de desagüe.



3. Quite el tapón de la manguera de drenaje, y deje que el agua drene completamente.



2. Unclip la manga de desagüe y saquéela. Coloque el extremo de la manguera de desagüe dentro de una bandeja poco profunda o un desagüe de piso. Tenga cuidado de no tirar demasiado de la manguera hacia fuera porque no drenará de manera adecuada.



4. Gire el filtro de la bomba en sentido contrario a las agujas del reloj para quitarlo. Quite cualquier depósito de pelusa o objetos extraños del filtro de la bomba. Siga las indicaciones anteriores (pero a la inversa) para reinstalar el filtro de la bomba de drenaje y la manguera de drenaje. Asegúrese de cerrar el panel de cubierta cuando haya terminado.

SONIDOS NORMALES QUE PODRÍA ESCUCHAR

Se pueden escuchar los siguientes sonidos mientras la lavadora se encuentra en funcionamiento. Son normales.

Chasquido:

El seguro de la compuerta se vuelve a colocar cuando la misma se cierra y abre.

Sonido de chorro o sibilante:

Chorro de agua o en circulación durante el ciclo.

Zumbido o gorgoteo:

La bomba de drenaje bombea agua de la lavadora al final de un ciclo.

Salpicadura:

Las prendas dan vueltas en el tambor durante los ciclos de lavado y enjuague.

ANTES DE LLAMAR A MANTENIMIENTO

Su lavadora está equipada con un sistema de monitoreo de error automático para la detección y el diagnóstico de problemas en una etapa temprana. Si su lavadora no funciona adecuadamente o no funciona del todo, revise lo siguiente antes de llamar a mantenimiento.

Ruidos de traqueteo

Controle si...

Luego...

Objetos extraños, tales como llaves, monedas, o imperdibles, pueden encontrarse en el tambor o bomba.	Detenga la lavadora y revise que no se encuentren objetos extraños en el tambor y el filtro de drenaje. Si el ruido continúa después de que se vuelva a encender la lavadora, llame a mantenimiento.
---	--

Sonido de golpes

Controle si...

Luego...

Las cargas pesadas pueden producir sonidos de golpes	Esto es normal. Si el sonido continúa, la lavadora probablemente está desbalanceada. Detenga la lavadora y vuelva a distribuir la carga de lavado.
La lavadora podría estar desbalanceada. Lavado de calzado o vestimenta enredada.	Pause el ciclo y redistribuya la carga cuando la puerta se destrabe.

Ruido de vibración

Controle si...

Luego...

No se han quitado los pernos y/o los materiales de embalaje.	Lea Desempaque y eliminación de los tornillos de envío en Requisitos de instalación en la página 38.
La carga de lavado podría estar distribuida de manera desigual en el tambor.	Pause el ciclo y redistribuya la carga cuando la puerta se destrabe.
No todas las patas niveladoras se encuentran apoyadas firmemente en el piso.	Lea Nivelación de la lavadora en las Instrucciones de instalación en la página 41.
El piso no es lo suficientemente rígido.	Asegúrese que el piso es sólido y no flexiona. Lea sobre Superficies en los Requisitos de instalación en la página 37.

Fugas de agua alrededor de la lavadora

Controle si...

Luego...

La conexión de la manguera de llenado está floja en la llave o en la lavadora.	Revise las mangueras. Revise y ajuste las conexiones de la manguera.
Las tuberías de drenaje del hogar están taponadas.	Destape la tubería de drenaje. Póngase en contacto con un plomero de ser necesario.
La manguera de drenaje se salió del drenaje. La manguera de drenaje no está lo suficientemente insertada.	Ajuste la manguera de drenaje a la ficha de entrada o tubo vertical para evitar que se suelte durante el drenaje. Se debería insertar entre 8 y 12 pulgadas dentro del tubo vertical.

Cantidades excesivas de espuma

Controle si...

Luego...

Demasiado detergente o detergente incorrecto.	 Use sólo detergente con el logo HE (Alta Eficiencia). Lea Use del detergente en la sección de Uso en la página 46-47.
---	---

RESOLUCIÓN DE PROBLEMAS

ANTES DE LLAMAR A MANTENIMIENTO (cont.)

Telas manchadas

Controle si...	Luego...
¿Se agregaron los blanqueadores o suavizantes directamente sobre la carga de lavado en el tambor?	Los químicos de lavado se deben cargar en el dispensador.
No ha descargado la lavadora con rapidez.	Siempre retire los ítems de la lavadora lo antes posible luego del ciclo de lavado.
No han sido clasificadas las prendas correctamente.	Siempre lave las prendas de colores oscuros separadas de las de colores claros y de color blanco para evitar manchas. De ser posible, no lave prendas muy sucias con otras menos sucias.

El agua en la lavadora drena demasiado lento o no drena, o la pantalla muestra:

Controle si...	Luego...
La manguera de drenaje está retorcida, apretada o taponada.	Asegúrese de que la manguera de drenaje esté libre de taponamientos, dobladuras, etc., y no está apretada debajo de la lavadora.
El filtro de drenaje está taponado.	Limpie el filtro de drenaje. Lea Mantenimiento en la sección de Cuidado y limpieza en la página 54.
La descarga de drenaje está a más de 96" sobre la parte inferior de la lavadora.	Ajuste o repare el drenaje.

La lavadora se llena con agua lentamente o no se llena del todo o la pantalla muestra:

Controle si...	Luego...
Las llaves de agua no están completamente abiertas.	Asegúrese de que las llaves de agua estén abiertas completamente.
Las mangueras de la tubería de agua están curvadas, apretadas aplastada.	Asegúrese de que las mangueras de agua no están agarradas o curvadas. Tenga cuidado al transportar la lavadora.
Los filtros de la entrada de agua están taponados.	Limpie los filtros de entrada. Lea Mantenimiento en la sección de Cuidado y limpieza en la página 53.
La presión de agua hacia la llave u hogar es muy baja.	Revise otra llave en el hogar para asegurar que la presión de agua del hogar es adecuada.
Suministro de agua conectado a las manguera con limitador de goteo.	Mangueras diseñadas para limitar goteos en caso de que una de éstas e impida que se llene la lavadora.

La lavadora no se enciende

Controle si...	Luego...
El cable eléctrico no está enchufado adecuadamente.	Asegúrese de que el enchufe está conectado de manera segura a un tomacorriente de 3 patas, con conexión a tierra de 120 V AC, 60 Hz.
El fusible del hogar está quemado, el cortacircuitos se ha accionado, o ha ocurrido una interrupción eléctrica.	Reactive el disyuntor o cambie el fusible. No aumente la capacidad del fusible. Si el problema se debe a una sobrecarga de circuito, pida a un electricista calificado que solucione el problema.

Si la lavadora no centrifuga, o el mensaje indica:

Controle si...	Luego...
La compuerta no está cerrada adecuadamente.	Asegúrese de que la compuerta está adecuadamente cerrada y apriete el botón INICIO/PAUSA. Después de iniciar un ciclo, puede demorar algunos momentos antes que el tambor empiece a girar o centrifugar. La lavadora no centrifuga a menos que la compuerta esté cerrada.
	Si la compuerta está cerrada y asegurada y se muestra el mensaje de error de compuerta abierta, llame a mantenimiento.

RESOLUCIÓN DE PROBLEMAS

ANTES DE LLAMAR A MANTENIMIENTO (cont.)

La compuerta no se abre cuando se ha detenido o pausado el ciclo

Controle si...	Luego...
Ea temperatura interior de la lavadora es demasiado elevada.	La compuerta de la lavadora dispone de un seguro para prevenir quemaduras. Por ejemplo, si la lavadora se detiene durante la parte de lavado con agua caliente en un ciclo de limpieza, la temperatura interior del tambor será muy caliente, de modo que la puerta no se destrabará. Esto es normal. Deje que la lavadora se enfríe hasta que el indicador del DOOR LOCK (seguro de la compuerta) se apague en la pantalla.
El nivel del agua en la lavadora es demasiado alto.	Para descargar el agua, pulse el botón POWER (ENCENDER) a continuación, pulse el botón de SPIN SPEED (velocidad de centrifugado) sin escoger ningún ciclo.

El tiempo de ciclo de lavado toma más tiempo de lo normal

Controle si...	Luego...
La lavadora programa automáticamente el tiempo de lavado según la cantidad de prendas de lavado, presión del agua, tiempo de calentamiento del agua y otras condiciones de funcionamiento.	Esto es normal. La lavadora programa automáticamente el ciclo de tiempo para brindar resultados óptimos para el ciclo seleccionado. El tiempo restante que aparece en la pantalla es sólo estimado. El tiempo real puede variar.

Olor a humedad o moho en la lavadora

Controle si...	Luego...
Se ha utilizado demasiado detergente o el detergente incorrecto.	Utilice detergente de alta eficiencia HE (High-Efficiency) únicamente, según las instrucciones del fabricante.
El interior del lavadero no se ha limpiado adecuadamente.	Active el ciclo CLEAN WASHER (limpieza de lavadero) de manera regular. Asegúrese de limpiar alrededor y debajo del sello de la compuerta con frecuencia. Lea Cuidado y limpieza del interior en Cuidado y limpieza en la página 51.
	<p>Limpie alrededor del sellado/vidrio de la puerta para evitar olores o moho:</p> <ol style="list-style-type: none"> 1. Seque con un paño el sellado/vidrio de la puerta y el área de apertura de la puerta. 2. Limpie alrededor del tambor interno/sellado de la puerta y el sellado inferior de la puerta. 3. En caso de haber olores difíciles de eliminar use Affresh, disponible en su tienda local de Sears o a través de Internet en www.partsdirect.com.

Prendas arrugadas

Controle si...	Luego...
No ha descargado la lavadora con rapidez.	Siempre remueva artículos de la lavadora tan pronto termine el ciclo.
Ha sobrecargado la lavadora.	Se puede cargar la lavadora completamente, pero el tambor no puede quedar colmado de prendas. La compuerta de la lavadora deberá cerrar con facilidad.
Las mangueras de agua han sido invertidas de entrada.	El ciclo de enjuague con agua caliente puede aumentar las arrugas. Verifique la conexión de las mangueras.

RESOLUCIÓN DE PROBLEMAS

ANTES DE LLAMAR A MANTENIMIENTO (cont.)

La pantalla muestra: LE

Controle si...

Luego...

La carga es demasiado pequeña.	Añada 1 ó 2 prendas similares para ayudar a balancear la carga.
La carga está desbalanceada.	Vuelva a acomodar las prendas para ayudar a balancear la carga cuando la puerta se destrabe.
	La lavadora cuenta con un sistema de detección y corrección de desbalances. Si se cargan artículos pesados individuales (alfombra de baño, bata de baño, etc.) y hay demasiado desbalance, la lavadora realizará algunos intentos para reiniciar el ciclo de centrifugado. Si aún se detecta desbalance, la lavadora se detendrá y se mostrará el código de error.

La pantalla muestra: EE

Controle si...

Luego...

Error de control.	Desenchufe la lavadora y espere 60 segundos. Vuelva a conectarla e inténtelo de nuevo. Si el error se vuelve a producir, llame al servicio técnico.
-------------------	---

La pantalla muestra: FE

Controle si...

Luego...

El nivel del agua es demasiado alto debido a una válvula de agua con falla.	Cierre las llaves de agua, desconecte la lavadora, y llame a mantenimiento.
---	---

La pantalla muestra: PE

Controle si...

Luego...

El sensor de nivel del agua no está funcionando correctamente.	Cierre las llaves de agua, desconecte la lavadora, y llame a mantenimiento.
--	---

La pantalla muestra: LE

Controle si...

Luego...

El circuito de protección termal de carga en el motor se ha activado.	Deje la lavadora en espera por 30 minutos para permitir que se enfríe el motor; luego reinicie el ciclo. Si aparece el código de error LE, desenchufe la lavadora y llame a mantenimiento.
---	--

La pantalla muestra: PF

Controle si...

Luego...

Ha ocurrido un corte de corriente.	Si se interrumpe el encendido de la lavadora durante un ciclo, el código de error "PF" aparecerá la próxima vez que se encienda la lavadora. Esto lo alertará sobre el hecho de que es posible que el ciclo previo no se haya completado. Seleccione cualquier ciclo para eliminar el código de error y usar la lavadora.
------------------------------------	---

ESPAÑOL

Garantía Limitada de Kenmore

Si este electrodoméstico fallara debido a un defecto de materiales o mano de obra dentro del año de la fecha de compra, llame al 1-800-4-MY-HOME® para solicitar su reparación gratuita, siempre y cuando se instale, opere o mantenga de acuerdo con todas las instrucciones suministradas con el producto.

Si el motor Direct Drive presenta defectos de materiales o de fabricación del segundo al décimo año a partir de la fecha de compra, llame al teléfono 1-800-4-MY-HOME® para recibir un motor de repuesto gratis. Después del primer año a partir de la fecha de compra, usted será responsable del coste de la mano de obra para instalar el motor.

Si este electrodoméstico alguna vez se usa con propósitos que exceden el uso familiar, esta garantía sólo tendrá una validez de 90 días desde la fecha de adquisición.

Esta garantía sólo cubre defectos de material y de mano de obra. Sears NO PAGARÁ:

1. Elementos prescindibles que pueden gastarse debido al uso normal, incluyendo pero sin limitarse a, filtros, correas, bombitas de luz y sacos.
2. Un técnico que capacite al usuario sobre la instalación de producto, operación y mantenimiento correctos.
3. Un técnico que limpie o mantenga este producto.
4. Daños o fallas de este producto si no se instala, opera o mantiene de acuerdo con todas las instrucciones suministradas con el producto.
5. Daños o fallas de este producto como resultado de accidentes, abuso, uso inadecuado o uso diferente para el que fue diseñado.
6. Daños o fallas de este producto provocados por el uso de detergentes, limpiadores, químicos o utensilios diferentes de los recomendados en todas las instrucciones suministradas con el producto.
7. Daños o fallas de piezas o sistemas como resultado de modificaciones sin autorización hechas a este producto.

Descargo de responsabilidad de garantías implícitas; limitación de acciones legales

Las únicas y exclusivas acciones legales del cliente bajo esta garantía limitada serán la reparación del producto como se señala aquí. Las garantías implícitas, incluyendo garantías de comerciabilidad y aptitud para un objetivo particular, se encuentran limitadas a un año o al período más corto permitido por la ley. Sears no será responsable de daños incidentales o resultantes. Algunos estados no permiten la exclusión o limitación de daños o limitaciones incidentales o resultantes, o limitaciones sobre la duración de garantías implícitas o de comerciabilidad o aptitud, por lo tanto las limitaciones o exclusiones anteriores pueden no aplicarse en su caso.

Esta garantía podrá aplicarse sólo si este artefacto se utiliza en los EE. UU. o Canadá.

Esta garantía le otorga derechos legales específicos y usted puede contar con otros derechos, que pueden variar de estado a estado.

Sears, Roebuck and Co., Hoffman Estates, IL 60179
Sears Canada, Toronto, Ontario, Canada M5B 2B8

