

This Owner's Manual is provided and hosted by [Appliance Factory Parts](#).



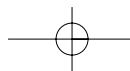
HAMILTON BEACH 24708 Owner's Manual

[Shop genuine replacement parts for HAMILTON
BEACH 24708](#)



[Find Your HAMILTON BEACH Small Appliance Parts - Select From 252 Models](#)

----- Manual continues below -----



READ BEFORE USE
LIRE AVANT D'UTILISER
LEA ANTES DE USAR

Visit hamiltonbeach.com for
delicious recipes and to register
your product online!



Consulter hamiltonbeach.ca pour les
recettes délicieuses et pour enregistrer
votre produit!

Visite hamiltonbeach.com para recetas
deliciosas y para registrar su producto
en línea.

Questions?
Please call us – our friendly
associates are ready to help.

USA: 1.800.851.8900

CAN: 1.800.267.2826

MEX: 01 800 71 16 100

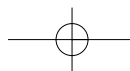
*Le invitamos a leer cuidadosamente
este instructivo antes de usar su
aparato.*

Hamilton E

Toaster



English
Français
Español



WARNING

To reduce the risk of fire:

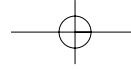
- Do not operate while unattended.
- Do not use in toaster mode with food that has been spread with butter, jelly, frosting, etc.
- Do not use in toaster mode with rice cakes, fried foods, frozen prepared foods or non-bread items.
- Do not use in toaster mode with toaster pastries. Always cook toaster pastries in a toaster oven broiler.
- Do not cover or use near curtains, walls, cabinets, paper or plastic products, cloth towels, etc.
- Closely supervise when used by or near children.
- Always unplug Toastation™ when not in use.

Failure to follow these instructions can result in death or fire.

IMPORTANT SAFEGUARDS

When using electrical appliances, basic safety precautions should always be followed to reduce the risk of fire, electric shock or injury to persons, including the following:

1. Read all instructions.
2. Do not touch hot surfaces. Use handles or knobs.
3. To protect against electrical shock do not immerse cord, plug, or toaster oven in water or other liquid. See instructions for Care and Cleaning.
4. Close supervision is necessary when any appliance is used by or near children.
5. Unplug from outlet when not in use and before cleaning. Allow to cool before cleaning appliance and putting on or taking off parts.
6. Do not operate any appliance with a damaged cord or plug, or after the appliance malfunctions or is dropped or damaged in any manner. Call our toll-free customer assistance number for information on examination, repair or adjustment.
7. The use of accessory attachments not recommended by the appliance manufacturer may cause injuries.
8. Do not use outdoors.
9. Do not let cord hang over edge of table or counter surfaces, including the stove.
10. Do not place on or near a hot gas or electric burner or heated oven.
11. To disconnect, turn all controls to Off, then remove plug from wall outlet.
12. Use extreme caution when removing tray or dishes. Grease is hot.
13. Do not clean with metal scouring pads. Pieces of metal can scratch pad and touch electrical parts, creating a risk of electric shock.
14. Oversize foods or metal utensils must not be inserted into oven as they may create a fire or risk of electric shock.



15. A fire may occur if the toaster oven is covered, touching or near flammable material, including curtains, draperies, walls, and the like, when in operation. Do not store any item on top of the appliance when in operation.
16. Extreme caution should be exercised when using containers constructed of other than metal or glass.
17. Do not store any materials, other than appliance manufacturer recommended accessories, in this oven when not in use.
18. Do not place any of the following materials in the oven: paper, cardboard, plastic, and the like.
19. Do not cover crumb tray or any part of the oven with metal foil. This will cause overheating of the oven.
20. To turn the oven off, turn temperature knob to OFF position. To stop a toast cycle, push the CANCEL button or lift up on the bread lifter.

21. Do not place eyes or face in close proximity with glass door in the event that the safety glass breaks.
22. Do not use appliance for other than intended use.
23. Before using this appliance, move it 2 to 4 inches or any object on the countertop. Remove any objects that have been placed on top of the appliance. Do not use where heat may cause a problem.
24. If plug gets hot, please call a qualified electrician.
25. The oven door is not a shelf. Do not place anything on it.
26. Use extreme caution when extending loaded rack to extended rack.

SAVE THESE INSTRUCTIONS!

OTHER CONSUMER SAFETY INFORMATION

This appliance is intended for household use only.

WARNING! Shock Hazard: This appliance has a polarized plug (one wide blade) that reduces the risk of electric shock. The plug fits only one way into a polarized outlet. Do not defeat the safety purpose of the plug by modifying the plug in any way or using an adaptor. If the plug does not fit, reverse the plug. If it still does not fit, have an electrician replace the outlet.

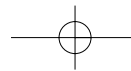
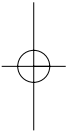
The length of the cord used on this appliance was selected to reduce the hazards of becoming tangled in, or tripping over a longer cord. If a longer cord is necessary an approved extension cord may be used. The electrical rating of the extension cord must be equal to or greater than the rating of the appliance.

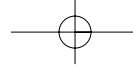
This appliance is equipped with a fully tempered safety glass door. The tempered glass is four times stronger than ordinary glass and is more resistant to breakage. Tempered glass can break, but it breaks into pieces with no sharp edges. Care must be taken to avoid scratching door surface or nicking edges. If the door is scratched or nicked, call our toll-free customer assistance number.

When heavy foods are on the oven rack, do not pull the rack more than halfway. To baste or check for doneness, do not touch the oven and place on heat-resistant countertop surface.

Do not place bake pan directly on heat shields that cover the heating elements.

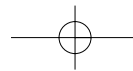
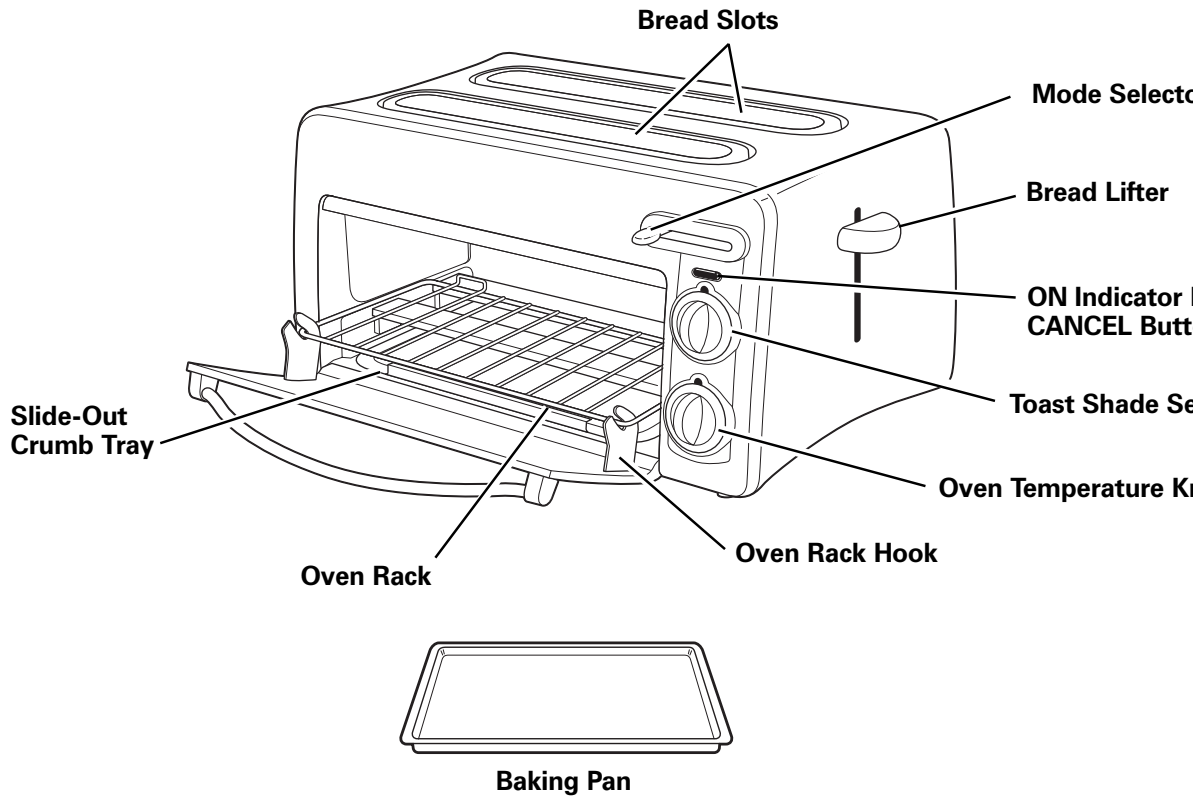
To avoid an electrical circuit overload, do not operate other high-wattage appliance on the same circuit with this appliance.

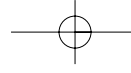




Parts and Features

Although this manual illustrates the 4-slice model, the warnings and instructions also apply to the 2-slice model.

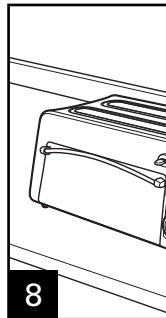
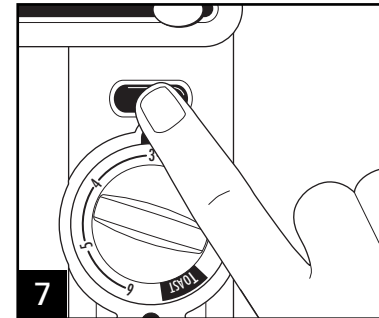
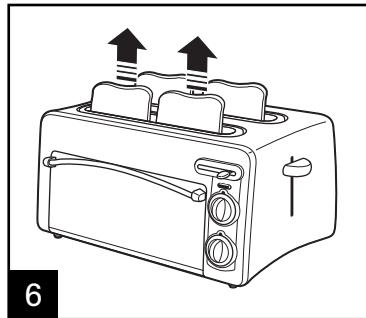
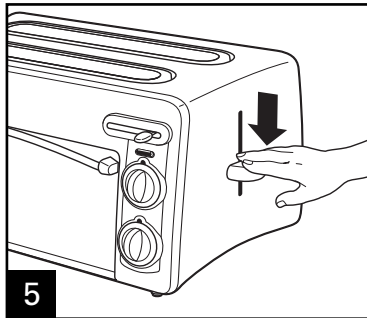
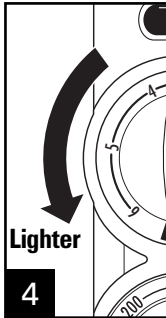
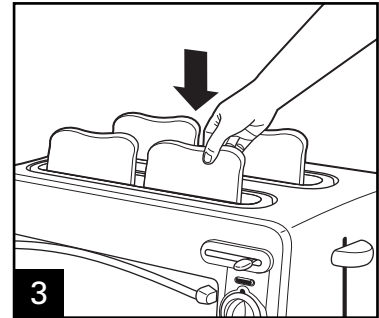
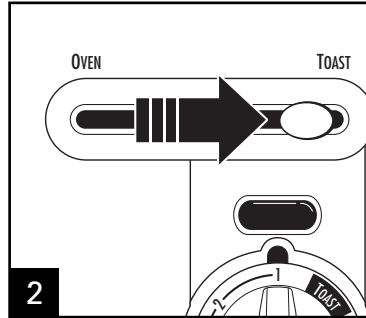
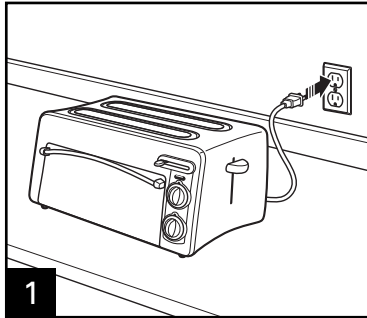




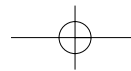
Toast Mode

NOTE: The bread lifter will not latch down unless the toaster is plugged in.

Although this manual illustrates the 4-slice model, the warnings and instructions also apply to the 2-slice model.



Press CANCEL button to stop toasting at any time.



Toast Mode

Although this manual illustrates the 4-slice model, the warnings and instructions also apply to the 2-slice model.

FOOD	Shade Setting	Mode/Temp.
Regular bread	2 - 5	Toaster
English muffins	4	Toaster
Bagels	3 - 6	Toaster
Frozen bread or buns	4	Toaster
Frozen waffles	4	Toaster
Toaster pastries* (such as Pop Tarts®)	N/A	Oven/350°F (180°C) for 2 minutes
Frozen prepared foods* (such as Toaster Strudel™ or Hot Pockets®)	N/A	Oven/350°F (180°C) follow manufacturers' instructions

To remove food that becomes lodged in food slots, disconnect from outlet and allow toaster to cool. Turn toaster upside down and shake. Do not use fork or other utensil that could damage heating element or result in risk of fire or electrical shock.

* Pop Tart is a registered trademark of the Kellogg Co.

™ Toaster Strudel is a trademark of the Pillsbury Co.

® Hot Pockets is a registered trademark of Nestlé

*Do not heat in toaster – use toaster oven portion of Toastation with Mode Selector set to oven position. NEVER heat cracked, broken or warped pastries, and NEVER leave unattended.

Oven Mode

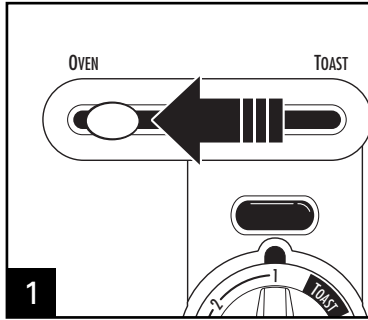
Although this manual illustrates the 4-slice model, the warnings and instructions also apply to the 2-slice model.

NOTE: Wash baking pan before using.

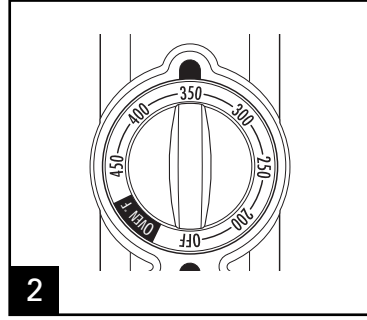
⚠ WARNING

Fire Hazard.

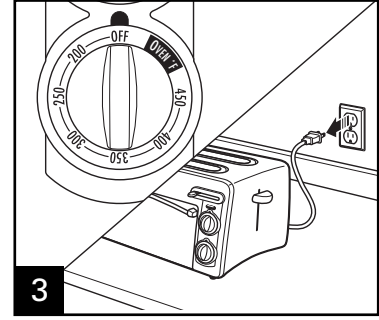
- Do not leave oven unattended during operation.
- Keep one inch between food and heating elements.
- Do not use oven cooking bags.
- Do not heat foods in plastic containers.
- Follow food manufacturers instructions.



1 Make sure Mode Selector is in "OVEN" position (slot closed).



2 Select temperature. Let preheat for 5-8 minutes, depending on temperature.

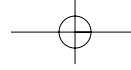


3 When finished, turn OFF and unplug.

Toastation™ is intended to prepare foods most commonly cooked in a toaster oven: appetizers, pizza, bagels, chicken nuggets, fries and toaster pastries. It was designed with these foods in mind. Taller items (potatoes, muffins) and meats for broiling should not be cooked or reheated in the Toastation™.

- **Most foods should be baked** according to package or recipe directions. Watch carefully and adjust time or temperature if needed.
- **To reheat pizza**, never place box in oven. Cook at 450°F (230°C) for 3 minutes or until ready.
- **For crisp crust pizza**, cook frozen pizza directly on oven rack.

- **For soft crust pizza**, cook on baking pan.
- **For a homemade crust pizza** (or any soft dough) cook on a baking pan.
- **To toast regular toaster pastry or frozen pastry**, cook on oven rack. If pastry has a glaze or frosting, cook on oven rack.
- When toasting, **condensation** may form on the inside of the oven is enclosed so moisture is slow to escape. Wipe door to dry and make clean-up easier.
- **Remove food immediately** or heat remaining in oven. Food will continue to bake and dry out your food.



Cleaning



WARNING

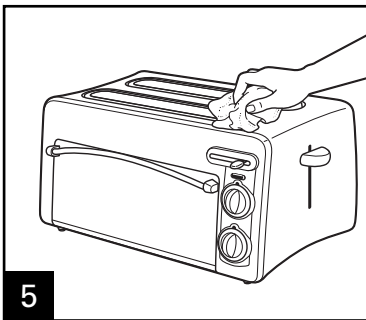
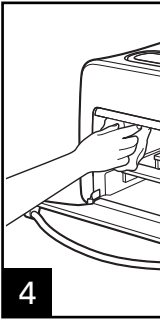
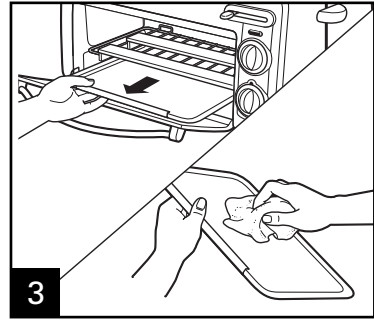
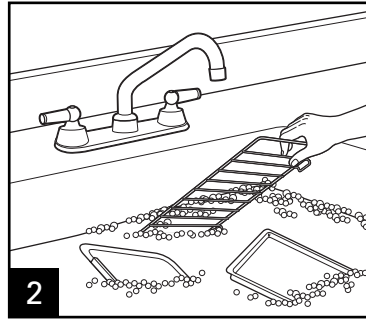
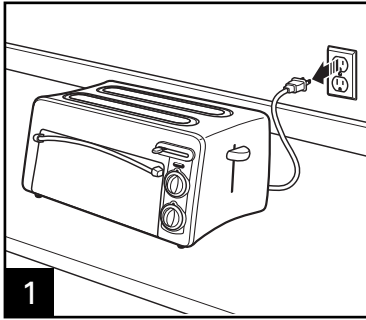
Electrical Shock Hazard.

Do not clean with metal scouring pads.

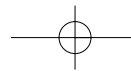
Pieces can break off pad and touch electrical parts.

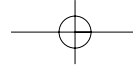
Although this manual illustrates the 4-slice model, the warnings and instructions also apply to the 2-slice model.

Your Toastation™ should be cleaned regularly for best performance and long life. Regular cleaning will also reduce the risk of fire hazard.



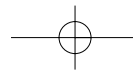
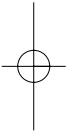
To clean inside oven walls, bottom of glass door with damp cloth. Repeat with dry cloth.

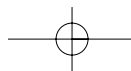




Troubleshooting

PROBLEM	PROBABLE CAUSE/SOLUTION
Oven will not heat.	<ul style="list-style-type: none">• Check to make sure electrical outlet is working and the oven is plugged in. Turn Knob to 350°F (180°C). The Indicator Light should now be lit.• Make sure Mode Selector is set to OVEN.
Moisture forms on inside of oven door when toasting.	<ul style="list-style-type: none">• This is normal when toasting in a toaster oven. Moisture is slower to escape from than from a toaster. The amount of moisture will differ between fresh bread, bag pastries.
An odor and smoke comes from oven.	<ul style="list-style-type: none">• Smoke and odor is normal during the first use of most heating appliances. This will clear after the initial heating period.
Indicator Light stays on.	<ul style="list-style-type: none">• Turn Temperature Control Knob to OFF. If light stays on, unplug unit and call our customer service number for information on examination, repair or electrical or adjustment. Do not continue to use your toaster oven.• The oven indicator will be illuminated during TOASTING if the Oven Temperature is set to the OFF position.
Some foods burn and some are not done.	<ul style="list-style-type: none">• Adjust oven temperature or cooking time for best results with your recipes.





Limited Warranty

This warranty applies to products purchased in the U.S. or Canada.

This product is warranted to be free from defects in material and workmanship for a period of one (1) year from the date of original purchase, except as noted below. During this period, we will repair or replace this product at our option. THE FOREGOING WARRANTY IS IN LIEU OF ANY OTHER WARRANTY OR CONDITION, WHETHER EXPRESS OR IMPLIED, WRITTEN OR ORAL INCLUDING, WITHOUT LIMITATION, ANY STATUTORY WARRANTY OR CONDITION OF MERCHANTABILITY OR FITNESS FOR A PARTICULAR PURPOSE. ANY LIABILITY IS EXPRESSLY LIMITED TO AN AMOUNT EQUAL TO THE RETAIL PRICE PAID, AND ALL CLAIMS FOR SPECIAL, INCIDENTAL AND CONSEQUENTIAL DAMAGES ARE HEREBY EXCLUDED. There is no warranty with respect to the following, which may be supplied with this product, including without limitation: glass containers, cutter/strainers, blades, seals, gaskets, clutches, motor brushes, and/or agitators, etc. This warranty is only valid for the original consumer purchaser and does not cover a defect resulting from abuse, misuse, neglect, or failure to clean product regularly in accordance with manufacturer's instructions, use for commercial purposes, or any use not in conformity with the printed directions. This warranty gives you specific legal rights, and you may also have other rights which vary from state to state, or province to province. Some states or provinces do not allow limitations on implied or special, incidental or consequential damages, so the foregoing limitations may not apply to you.

If you have a claim under this warranty, DO NOT RETURN THE APPLIANCE TO THE STORE! Please call our CUSTOMER SERVICE NUMBER. (For faster service please have model, series, and type numbers ready for operator to assist you.)

CUSTOMER SERVICE NUMBERS

In the U.S. 1.800.851.8900

In Canada 1.800.267.2826

In Mexico 01.800.71.16.100

hamiltonbeach.com

KEEP THESE NUMBERS FOR FUTURE REFERENCE!

