

This Owner's Manual is provided and hosted by [Appliance Factory Parts](#).



# LG 88842 Owner's Manual

[Shop genuine replacement parts for LG 88842](#)



[Find Your LG Dryer Parts - Select From 451 Models](#)

----- Manual continues below -----



## Dryers

Use & Care Guide and Installation Instructions

## Secadoras

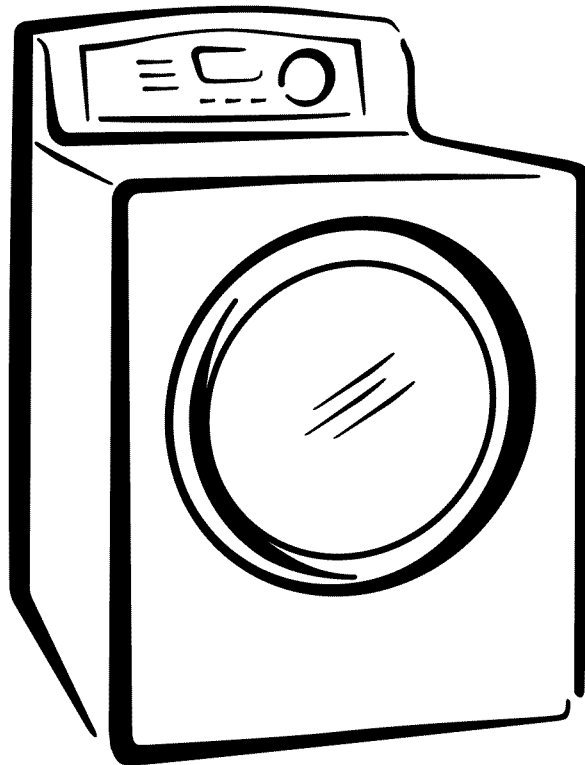
Guía de uso y cuidado e Instrucciones de instalación

### Models/Modelos

*Electric/Eléctrico* 796.8884\*

*Gas/AGas* 796.9884\*

\* = color number, número de color



## TABLE OF CONTENTS

### IMPORTANT SAFETY INSTRUCTIONS

|   |     |
|---|-----|
| Basic Safety Precautions                              | 3-6 |
| Special Requirements for Manufactured or Mobile Homes | 6   |

### FEATURES AND BENEFITS

|                          |   |
|--------------------------|---|
| Key Parts and Components | 7 |
|--------------------------|---|

### INSTALLATION INSTRUCTIONS

|                                  |        |
|----------------------------------|--------|
| Key Dimension and Specifications | 8      |
| Location Requirements            | 8      |
| Choose the Proper Location       | 8      |
| Clearances                       | 8      |
| Gas Requirements                 | 9      |
| Connecting Gas Dryers            | 9, 10  |
| Electrical Requirements          | 11     |
| Connecting Electric Dryers       | 11, 12 |
| Venting Requirements             | 13     |
| Venting the Dryer                | 13, 14 |
| Leveling the Dryer               | 15     |
| Reversing the Door Swing         | 15     |
| Final Installation Check         | 16     |

### HOW TO USE

|   |    |
|---|----|
| Control Panel Features                  | 17 |
| Operating the Dryer                     | 18 |
| Cycle Guide                             | 19 |
| Sorting Loads                           | 20 |
| Loading the Dryer                       | 20 |
| Check the Lint Screen Before Every Load | 20 |
| Time and Status Display                 | 21 |
| Cycle Modifier Buttons                  | 22 |
| Cycle Option Buttons                    | 23 |
| My Cycle                                | 23 |
| Special Functions                       | 24 |

### USER-MAINTENANCE INSTRUCTIONS

|                  |    |
|------------------|----|
| Regular Cleaning | 25 |
|------------------|----|

### TROUBLESHOOTING GUIDE

|                            |       |
|----------------------------|-------|
| Before Calling for Service | 26-28 |
|----------------------------|-------|

|          |    |
|----------|----|
| WARRANTY | 30 |
|----------|----|

## PRODUCT RECORD

In the space below, record the date of purchase, model, and serial number of your product. You will find the model and serial number printed on an identification plate located inside the dryer door. Have these items of information available whenever you contact Sears concerning your product.

Model No. \_\_\_\_\_

Date of Purchase \_\_\_\_\_

Serial No. \_\_\_\_\_

Save these instructions and your sales receipt for future reference.

## PROTECTION AGREEMENTS

### Master Protection Agreements

*Congratulations on making a smart purchase.* Your new Kenmore® product is designed and manufactured for years of dependable operation. But like all products, it may require preventive maintenance or repair from time to time. That's when having a Master Protection Agreement can save you money and aggravation.

The Master Protection Agreement also helps extend the life of your new product. Here's what the Agreement\* includes:

- **Parts and labor** needed to help keep products operating properly **under normal use**, not just defects. Our coverage goes **well beyond the product warranty**. No deductible, no functional failure excluded from coverage—**real protection**.
- **Expert service** by a force of more than 10,000 authorized **Sears service technicians**, which means someone you can trust will be working on your product.
- **Unlimited service calls and nationwide service**, as often as you want us, whenever you want us.
- **"No-lemon" guarantee**—replacement of your covered product if four or more product failures occur within twelve months.
- **Product replacement** if your covered product can't be fixed.
- **Annual Preventive Maintenance Check** at your request—no extra charge.
- **Fast help by phone**—we call it **Rapid Resolution**. Phone support from a Sears representative on all products. Think of us as a "talking owner's manual."
- **Power surge protection** against electrical damage due to power fluctuations.
- **\$250 food loss protection annually** for any food spoilage that is the result of mechanical failure of any covered refrigerator or freezer.
- **Rental reimbursement** if repair of your covered product takes longer than promised.
- **10% discount** off the regular price of any non-covered repair service and related installed parts.

Once you purchase the Agreement, a simple phone call is all that it takes for you to schedule service. You can call anytime day or night or schedule a service appointment online.

The Master Protection Agreement is a risk free purchase. If you cancel for any reason during the product warranty period, we will provide a full refund, or a prorated refund anytime after the product warranty period expires. Purchase your Master Protection Agreement today!

**Some limitations and exclusions apply.**

**For prices and additional information in the U.S.A. call 1-800-827-6655.**

**\*Coverage in Canada varies on some items.**

**For full details call Sears Canada at 1-800-361-6665.**

### Sears Installation Service

For Sears professional installation of home appliances, garage door openers, water heaters, and other major home items, in the U.S.A. or Canada, call 1-800-4-MY-HOME®.

## SAFETY MESSAGES

We have provided many important safety messages in this manual and on your appliance. Always read and obey all safety messages.



This is the safety alert symbol.

This symbol alerts you to potential hazards that can result in property damage and/or serious bodily harm or death.

All safety messages will follow the safety alert symbol and either the word DANGER or WARNING. These words mean:

### DANGER

Failure to follow these safety instructions may result in property damage and/or serious bodily harm or death.

### WARNING

Failure to follow these safety instructions may result in property damage and/or serious bodily harm or death.

All safety messages will tell you what the potential hazard is, tell you how to reduce the chance of injury, and tell you what can happen if the instructions are not followed.

## IMPORTANT SAFETY INSTRUCTIONS

### WARNING

#### READ ALL INSTRUCTIONS BEFORE USE

For your safety, the information in this manual must be followed to minimize the risk of fire or explosion, electric shock, or to prevent property damage, personal injury, or loss of life.

To reduce the risk of fire, electric shock, or injury to persons when using this appliance, follow basic precautions, including the following:

- Read all instructions before using the dryer.
- Before use, the dryer must be properly installed as described in this manual.
- Do not place items exposed to cooking oils in your dryer. Items contaminated with cooking oils may contribute to a chemical reaction that could cause a load to catch fire.
- Do not dry articles that have been previously cleaned in, washed in, soaked in, or spotted with gasoline, dry-cleaning solvents, or other flammable or explosive substances, as they give off vapors that could ignite or explode.
- Do not reach into the dryer if the drum or any other part is moving.
- Do not repair or replace any part of the dryer or attempt any servicing unless specifically recommended in this Use and Care Guide or in published user-repair instructions that you understand and have the skills to carry out.
- Do not tamper with the controls.
- Before the dryer is removed from service or discarded, remove the door to the drying compartment.
- Do not allow children to play on or in the dryer. Close supervision of children is necessary when the dryer is used near children.
- Do not use fabric softeners or products to eliminate static unless recommended by the manufacturer of the fabric softener or product.
- Do not use heat to dry articles containing foam rubber or similarly textured rubber-like materials.
- Keep the area around the exhaust opening and adjacent surrounding areas free from the accumulation of lint, dust, and dirt.
- The interior of the dryer and exhaust vent should be cleaned periodically by qualified service personnel.
- Do not install or store the dryer where it will be exposed to the weather.
- Always check the inside of the dryer for foreign objects.
- Clean the lint screen before or after each load.

## IMPORTANT SAFETY INSTRUCTIONS

### WARNING

For your safety, the information in this manual must be followed to minimize the risk of fire or explosion, electric shock, or to prevent property damage, personal injury, or loss of life.

- Do not store or use gasoline or any other liquid with flammable vapors in the vicinity of this appliance or any other appliances.
- Installation and service must be performed by a qualified installer, service agency, or the gas supplier.

#### WHAT TO DO IF YOU SMELL GAS:

1. Do not try to light a match or cigarette, or turn on any gas or electrical appliance.
2. Do not touch any electrical switches. Do not use any phone in your building.
3. Clear the room, building, or area of all occupants.
4. Immediately call your gas supplier from a neighbor's phone. Follow the gas supplier's instructions carefully.
5. If you cannot reach your gas supplier, call the fire department.

### CALIFORNIA SAFE DRINKING WATER AND TOXIC ENFORCEMENT ACT

This act requires the governor of California to publish a list of substances known to the state to cause cancer, birth defects, or other reproductive harm and requires businesses to warn customers of potential exposure to such substances.

Gas appliances can cause minor exposure to four of these substances, namely benzene, carbon monoxide, formaldehyde, and soot, caused primarily by the incomplete combustion of natural gas or LP fuels.

Properly adjusted dryers will minimize incomplete combustion. Exposure to these substances can be minimized further by properly venting the dryer to the outdoors.

### WARNING

To reduce the risk of fire, electric shock, or injury to persons when using this appliance, follow basic precautions, including the following:

- **Properly ground dryer to conform with all governing codes and ordinances.** Follow details in the installation instructions. Electrical shock can result if the dryer is not properly grounded.
- **Before use, the dryer must be properly installed as described in this manual.** Electrical shock can result if the dryer is not properly grounded.
- **Install and store the dryer where it will not be exposed to temperatures below freezing or exposed to the weather.**
- **All repairs and servicing must be performed by an authorized servicer unless specifically recommended in this Owner's Guide. Use only authorized factory parts.** Failure to follow this warning can cause serious injury, fire, electrical shock, or death.
- **To reduce the risk of electric shock, do not install the dryer in humid spaces.** Failure to follow this warning can cause serious injury, fire, electrical shock, or death.
- **Connect to a properly rated, protected, and sized power circuit to avoid electrical overload.** Improper power circuit can melt, creating an electrical shock and/or a fire hazard.
- **Remove all packing items and dispose of all shipping materials properly.** Failure to do so can result in death, explosion, fire, or burns.
- **Place dryer at least 18 in. above the floor for a garage installation.** Failure to do so can result in death, explosion, fire, or burns.
- **Keep all packaging from children.** Packaging material can be dangerous for children. There is a risk of suffocation.

## IMPORTANT SAFETY INSTRUCTIONS

### WARNING

#### SAFETY INSTRUCTIONS FOR INSTALLATION

##### Exhaust/Ducting:

- **Gas dryers MUST be exhausted to the outside.** Failure to follow these instructions can result in fire or death.
- **The dryer exhaust system must be exhausted to the outside of the dwelling. If the dryer is not exhausted outdoors, some fine lint and large amounts of moisture will be expelled into the laundry area.** An accumulation of lint in any area of the home can create a health and fire hazard.
- **Use only rigid metal or flexible metal 4-in. diameter ductwork inside the dryer cabinet or for exhausting to the outside. Use of plastic or other combustible ductwork can cause a fire.** Punctured ductwork can cause a fire if it collapses or becomes otherwise restricted in use or during installation.
- **Ductwork is not provided with the dryer, and you should obtain the necessary ductwork locally. The end cap should have hinged dampers to prevent backdraft when the dryer is not in use.** Failure to follow these instructions can result in fire or death.
- **The exhaust duct must be 4-in. (10 cm) in diameter with no obstructions. The exhaust duct should be kept as short as possible. Make sure to clean any old ducts before installing your new dryer.** Failure to follow these instructions can result in fire or death.
- **Rigid or semi-rigid metal ducting is recommended for use between the dryer and the wall. In special installations when it is impossible to make a connection with the above recommendations, a UL-listed flexible metal transition duct may be used between the dryer and wall connection only. The use of this ducting will affect drying time.** Failure to follow these instructions can result in fire or death.
- **DO NOT use sheet metal screws or other fasteners which extend into the duct; they can catch lint and reduce the efficiency of the exhaust system.** Secure all joints with duct tape. For complete details, follow the Installation Instructions. Failure to follow these instructions can result in fire or death.

### WARNING

#### SAFETY INSTRUCTIONS FOR CONNECTING ELECTRICITY

To reduce the risk of fire, electric shock, or injury to persons when using this appliance, follow basic precautions, including the following:

- **Do not, under any circumstances, cut or remove the ground prong from the power cord.** To prevent personal injury or damage to the dryer, the electrical power cord must be plugged into a properly grounded outlet.
- **For personal safety, this dryer must be properly grounded.** Failure to do so can result in electrical shock or injury.
- **Refer to the installation instructions in this manual for specific electrical requirements for your model.** Failure to follow these instructions can create an electrical shock hazard and/or a fire hazard.
- **This dryer must be plugged into a properly grounded outlet. Electrical shock can result if the dryer is not properly grounded. Have the wall outlet and circuit checked by a qualified electrician to make sure the outlet is properly grounded.** Failure to follow these instructions can create an electrical shock hazard and/or a fire hazard.
- **The dryer should always be plugged into its own individual electrical outlet which has a voltage rating that matches the rating plate.** This provides the best performance and also prevents overloading house wiring circuits which could cause a fire hazard from overheated wires.
- **Never unplug your dryer by pulling on the power cord. Always grip plug firmly and pull straight out from the outlet.** The power cord can be damaged, resulting in a risk of fire and electrical shock.
- **Immediate repair or replace all power cords that have become frayed or otherwise damaged. Do not use a cord that shows cracks or abrasion damage along its length or at either end.** A damaged power cord can melt, creating an electrical shock and/or a fire hazard.
- **When installing or moving the dryer, be careful not to pinch, crush, or damage the power cord.** This will prevent injury and prevent damage to the dryer from fire and electrical shock.

## IMPORTANT SAFETY INSTRUCTIONS

### GROUNDING INSTRUCTIONS

#### WARNING

**For your safety, the information in this manual must be followed to minimize the risk of fire or explosion, electric shock, or to prevent property damage, personal injury, or loss of life.**

This appliance must be grounded. In the event of malfunction or breakdown, grounding will reduce the risk of electric shock by providing a path of least resistance for electric current. This appliance must be equipped with a cord having an equipment-grounding conductor and a grounding plug. The plug must be plugged into an appropriate outlet that is properly installed and grounded in accordance with all local codes and ordinances.

**Improper connection of the equipment-grounding conductor can result in a risk of electric shock.** Check with a qualified electrician or service person if you are in doubt as to whether the appliance is properly grounded.

Do not modify the plug provided with the appliance. If it does not fit the outlet, have a proper outlet installed by a qualified electrician.

This appliance must be connected to a grounded metal, permanent wiring system or an equipment grounding conductor must be run with the circuit conductors and connected to the equipment grounding terminal or lead on the appliance.

Electrical shock can result if the dryer is not properly grounded.

### SPECIAL REQUIREMENTS FOR MANUFACTURED OR MOBILE HOMES

#### WARNING

**To reduce the risk of fire, electric shock, or injury to persons when using this appliance, follow basic precautions, including the following:**

- Any installation in a manufactured or mobile home must comply with the Manufactured Home Construction and Safety Standards Title 24 CFR, Part 32-80 or Standard CAN/CSA0Z240 MH and local codes and ordinances. If you are uncertain whether your proposed installation will comply with these standards, please contact a service and installation professional for assistance.
- A gas dryer must be permanently attached to the floor.
- **A 4-wire connection is required for all manufactured or mobile home installations, as well as all new construction after January 1, 1996. A 4-wire connection must be used where local codes do not permit grounding through the neutral wire.** Failure to do so can result in fire, explosion, or death.
- To reduce the risk of combustion and fire, the dryer must be vented to the outside.
- DO NOT vent the dryer under a manufactured home or mobile home.
- Electric dryers may be vented to the outside using the back, left, right, or bottom panel.
- Gas dryers may be vented to the outside using the back, left, or bottom panel. Gas dryers may not be vented to the outside using the right side panel because of the burner housing.
- The dryer exhaust duct must be affixed securely to the manufactured or mobile home structure, and the exhaust duct must be made of a material that will resist fire and combustion. It is recommended that you use a rigid or flexible metal duct.
- DO NOT connect the dryer exhaust duct to any other duct, vent, chimney, or other exhaust duct.
- Make sure the dryer has adequate access to outside fresh air to ensure proper operation. The opening for outside fresh air must be at least 25 in<sup>2</sup> (163 cm<sup>2</sup>).
- It is important that the clearance of the duct from any combustible construction be at least 2 in. (5 cm), and when venting the dryer to the outdoors, the dryer can be installed with a clearance of 1 in. (2.5 cm) at the sides and back of the dryer.
- Please be aware that venting materials are not supplied with the dryer. You should obtain the venting materials necessary for proper installation.

## SAVE THESE INSTRUCTIONS

# FEATURES AND BENEFITS

## KEY PARTS AND COMPONENTS

There are several important components that are referenced in this manual.

### **A EASY-TO-USE CONTROL PANEL**

Rotate the Cycle Selector Knob to select the desired dry cycle. Add cycle options or adjust settings with the touch of a button. Press the Cycle Selector Knob to start the selected dry cycle.

### **B TIME AND STATUS DISPLAY**

The easy-to-read LED display shows cycle options and information and provides cycle status during operation.

### **C CHECK VENT (Duct Blockage Sensing System)**

The Check Vent (Duct blockage sensing system) detects and alerts you to blockages in the exhaust system that reduce airflow from the dryer. Maintaining clean exhaust system ducts improves operating efficiency and helps minimize service calls, saving you money.

### **D ULTRA-CAPACITY STAINLESS STEEL DRUM WITH DRUM LIGHT**

The ultra-large stainless steel drum offers superior durability. The drum is equipped with a light that illuminates when the dryer door is open and turns off when the door is closed.

### **E EASY-ACCESS REVERSIBLE DOOR**

Wide-opening, see-through glass door provides easy access for loading and unloading. Door swing can be reversed to adjust for installation location.

### **F FRONT-MOUNT LINT SCREEN**

Front-mounted lint screen allows for easy access and cleaning between loads.

### **G LEVELING FEET**

Four leveling feet (two in front, and two in back) adjust to improve dryer stability on uneven floors.

### **H DRYING RACK (Included Accessory)**

Use the drying rack with the RACK DRY cycle option. The drying rack allows items such as sweaters, delicates, and gym shoes to be placed in a flat position for drying.

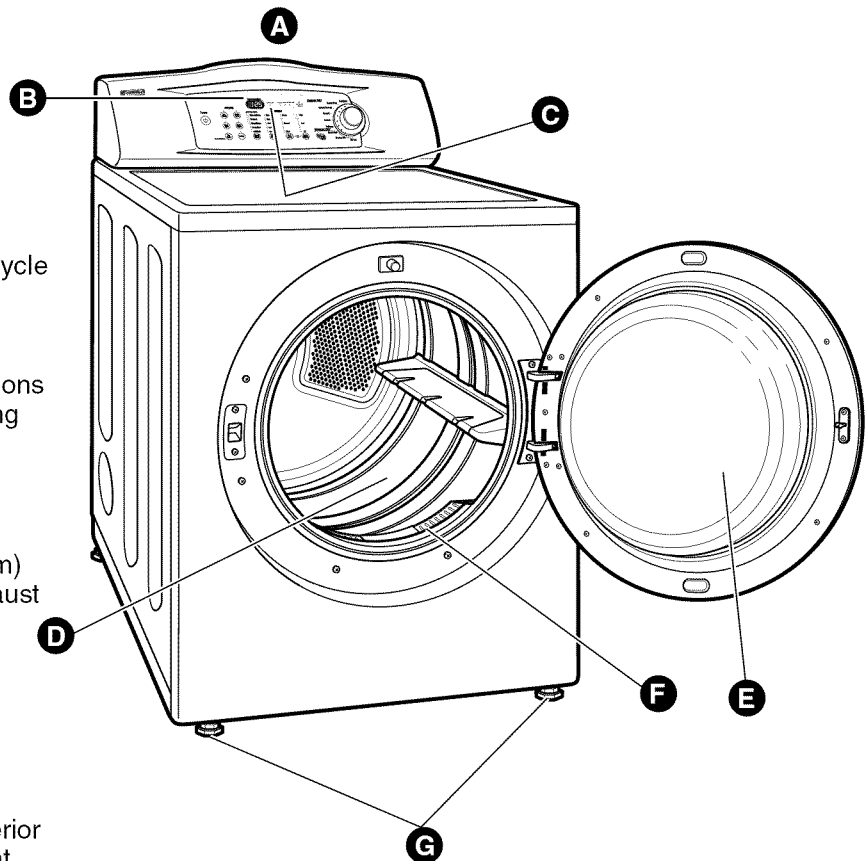
For special installation applications, the following kits are available. Go to [www.searspartsdirect.com](http://www.searspartsdirect.com), or call 1-800-4-MY-HOME® for ordering information.

### **I LP CONVERSION KIT (P/N 383EEL3002A)**

This LP conversion kit contains all required parts to change the dryer gas connections from Natural Gas (NG) to Liquefied Propane Gas (LP).

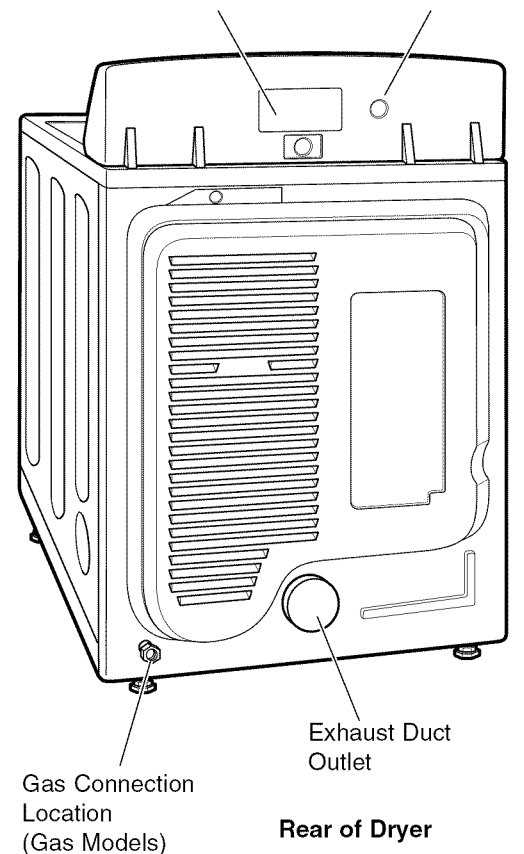
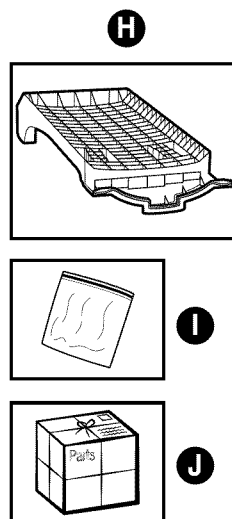
### **J SIDE VENT KIT (P/N 383EEL9001B)**

The side vent kit contains the necessary parts to change the dryer from a rear vent to a side vent location.



Terminal Block Access Panel (Electric Models)

Power Cord Location (Gas Models)



Gas Connection Location (Gas Models)

Exhaust Duct Outlet

Rear of Dryer

# INSTALLATION INSTRUCTIONS

## KEY DIMENSIONS AND SPECIFICATIONS

|                         |  |
|-------------------------|--|
| Description             | Dryer (Gas and Electric)   |
| Electrical Requirements | Please refer to the rating label.  |
| Gas Requirements* NG:   | 6–8 in. WC   |
| Gas Requirements* LP:   | 10–13 in. WC   |
| Dimensions              | 27"(W) X 30"(D) X 38 11/16"(H), 50" (D with door open)<br>68.6 cm (W) X 76.1 cm (D) X 98.3 cm (H), 127 cm (D with door open) |
| Net Weight              | 126 lb. (57.2 kg)  |
| Drying Capacity         | IEC 7.3 cu. ft. (22.5 lbs./10.2 kg)  |

\*Gas Models only.

## LOCATION REQUIREMENTS

### IMPORTANT:

**Read all installation instructions completely before installing and operating your dryer!**

It is important that you review this entire manual before installing and using your dryer. Detailed instructions concerning electrical connections, gas connections, and exhaust requirements are provided on the following pages.

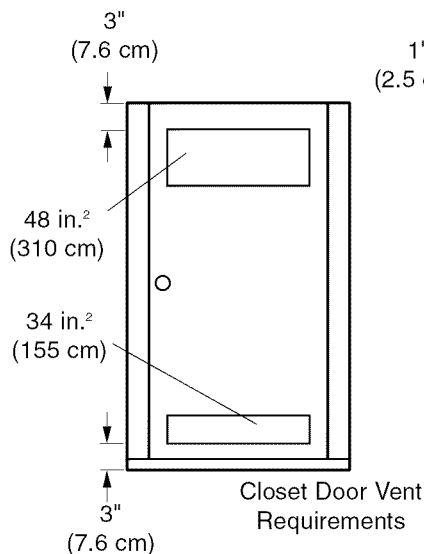
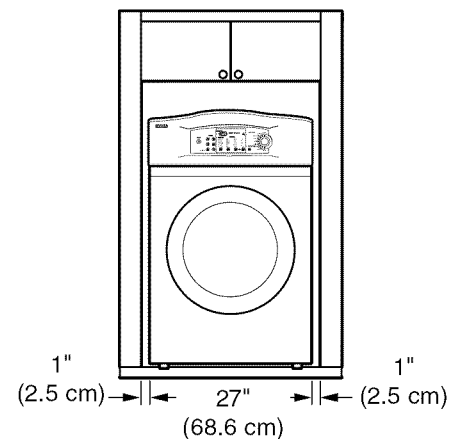
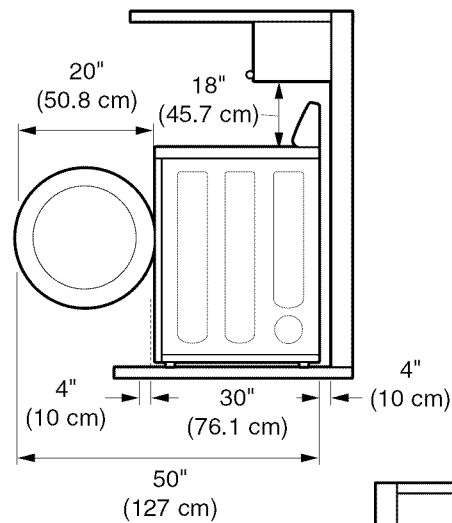
### CHOOSE THE PROPER LOCATION

- Store and install the dryer where it will not be exposed to temperatures below freezing or exposed to outdoor weather conditions.
- Choose a location with a solid, level floor.
- If the dryer is being installed in a garage, place the dryer at least 18 in. (46 cm) above the floor.
- Properly ground the dryer to conform with all governing codes and ordinances.
- To reduce the risk of electric shock, do not install the dryer in damp or wet locations.

**IMPORTANT:** If you are installing your dryer in a manufactured or mobile home, please refer to the section *Special Requirements for Manufactured or Mobile Homes* on page 6.

### CLEARANCES

- Most installations require a minimum 5 1/2 in. (14 cm) clearance behind the dryer for the exhaust ducting.
- Allow minimum clearances of at least 1 in. (2.5 cm) on the sides and back to minimize vibration and noise.
- Allowing additional clearance for installation and servicing is recommended.
- Be sure to allow for wall, door, or floor moldings that may increase the required clearances.
- Allow at least 21 in. (53.3 cm) in front of the dryer to open the door.



### Additional Instructions for closet installations:

- The closet door must allow for sufficient airflow. Refer to the diagram to the left for minimum vent opening requirements. Alouvered door is also acceptable.
- Make sure that there is at least 18 in. (46 cm) of clearance above the dryer.

# INSTALLATION INSTRUCTIONS

## GAS REQUIREMENTS (GAS MODELS ONLY)

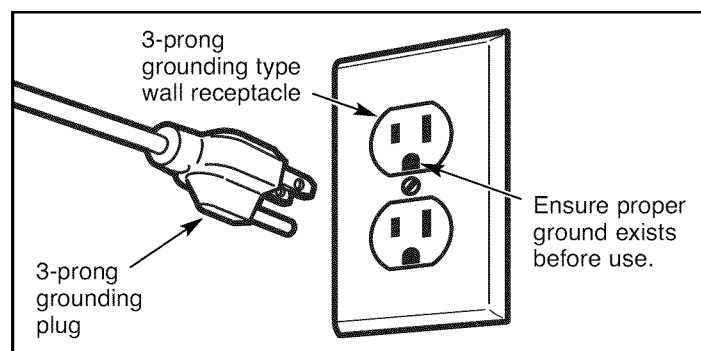
### CONNECTING GAS DRYERS

**⚠ WARNING:** To reduce the risk of fire, electric shock, or injury to persons when using this appliance, follow basic precautions, including the following:

- **Gas supply requirements:**  
As shipped from the factory, this dryer is configured for use with (NG) natural gas. It can be converted for use with LP (Liquefied Propane) gas. Gas pressure must not exceed 8-in. water column for (NG), or 13-in. water column for (LP).
- **A qualified service or gas company technician must connect the dryer to the gas service.** Failure to do so can result in fire, explosion, or death.
- **Isolate the dryer from the gas supply system by closing its individual manual shutoff valve during any pressure testing of the gas supply.** Failure to do so can result in fire, explosion, or death.
- **Supply line requirements:**  
Your laundry room must have a rigid gas supply line to your dryer. In the United States, an individual manual shutoff valve **MUST** be installed within at least 6 ft. (1.8 m) of the dryer, in accordance with the National Fuel Gas Code ANSI Z223.1. A 1/8-in. NPT pipe plug must be installed. Failure to do so can result in fire, explosion, or death.
- **If using a rigid pipe, the rigid pipe should be 1/2-in. IPS.** If acceptable under local codes and ordinances and when acceptable to your gas supplier, 3/8-in. approved tubing may be used where lengths are less than 20 ft. (6.1 m). Larger tubing should be used for lengths in excess of 20 ft. (6.1 m). Failure to do so can result in fire, explosion, or death.
- **Connect the dryer to the type of gas shown on the nameplate.** Failure to do so can result in fire, explosion, or death.
- **To prevent contamination of the gas valve, purge the gas supply of air and sediment before connecting the gas supply to the dryer. Before tightening the connection between the gas supply and the dryer, purge remaining air until the odor of gas is detected.** Failure to do so can result in fire, explosion, or death.
- **DO NOT use an open flame to inspect for gas leaks. Use a noncorrosive leak detection fluid.** Failure to do so can result in fire, explosion, or death.
- **Use only a new AGA- or CSA-certified gas supply line with flexible stainless steel connectors.** Failure to do so can result in fire, explosion, or death.
- **Securely tighten all gas connections.** Failure to do so can result in fire, explosion, or death.
- **Use Teflon® tape or a pipe-joint compound that is insoluble in Liquefied Petroleum (LP) gas on all pipe threads.** Failure to do so can result in fire, explosion, or death.
- **DO NOT attempt any disassembly of the dryer; any disassembly requires the attention and tools of an authorized and qualified service person or company.** Failure to do so can result in fire, explosion, or death.

### Electrical Requirements for Gas Models Only

- **Do not, under any circumstances, cut or remove the third (ground) prong from the power cord.** Failure to follow this warning can result in fire, explosion, or death.
- **For personal safety, this dryer must be properly grounded.** Failure to follow this warning can result in fire, explosion, or death.
- **The power cord of this dryer is equipped with a 3-prong (grounding) plug which mates with a standard 3-prong (grounding) wall outlet to minimize the possibility of electric shock hazard from this appliance.** Failure to follow this warning can result in fire, explosion, or death.
- **This dryer must be plugged into a 120-VAC, 60-Hz. grounded outlet protected by a 15-ampere fuse or circuit breaker.** Failure to follow this warning can result in fire, explosion, or death.
- **Where a standard 2-prong wall outlet is encountered, it is your personal responsibility and obligation to have it replaced with a properly grounded 3-prong wall outlet.** Failure to follow this warning can result in fire, explosion, or death.



# INSTALLATION INSTRUCTIONS

## CONNECTING GAS DRYERS (cont.)

**⚠ WARNING:** To reduce the risk of fire, electric shock, or injury to persons when using this appliance, follow basic precautions, including the following:

- **Installation and service must be performed by a qualified installer, service agency, or the gas supplier.** Failure to do so can result in fire, explosion, or death.
- **Use only a new stainless steel flexible connector and a new AGA-certified connector.** Failure to do so can result in fire, explosion, or death.
- **Agas shutoff valve must be installed within 6 ft. (1.8 m) of the dryer.** Failure to do so can result in fire, explosion, or death.
- **The dryer is configured for Natural Gas when shipped from the factory. Make sure that the dryer is equipped with the correct burner nozzle for the type of gas being used (Natural Gas or Liquefied Petroleum).** Failure to do so can result in fire, explosion, or death.
- **If necessary, the correct nozzle (for the LP nozzle kit, order part number 4948EL4002B) should be installed by a qualified technician and the change should be noted on the dryer.** Failure to do so can result in fire, explosion, or death.
- **All connections must be in accordance with local codes and regulations.** Failure to do so can result in fire, explosion, or death.
- **Gas dryers MUST exhaust to the outdoors.** Failure to do so can result in fire, explosion, or death.

### Connecting the Gas Supply

**NOTE:** This dryer is configured from the factory set for Natural Gas (NG). If dryer is to be used with LP gas, it must be converted by a qualified service technician.

1. Make sure that the gas supply to the laundry room is turned OFF and the dryer is unplugged. Confirm that the type of gas available in your laundry room is appropriate for the dryer.
2. Remove the shipping cap from the gas fitting at the back of the dryer. Be careful not to damage the threads of the gas connector when removing the shipping cap.
3. Connect the dryer to your laundry room's gas supply using a new flexible stainless steel connector with a 3/8-in. NPT fitting.

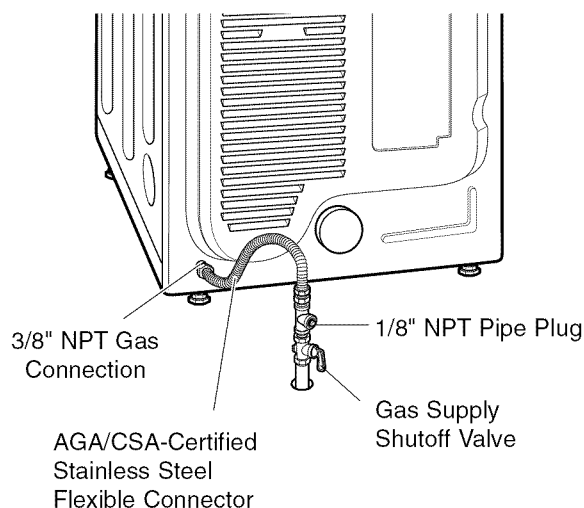
**NOTE:** DO NOT use old connectors.

4. Securely tighten all connections between the dryer and your laundry room's gas supply.
5. Turn on your laundry room's gas supply.
6. Check all pipe connections (both internal and external) for gas leaks with a noncorrosive leak-detection fluid.
7. Proceed to *Venting Requirements on page 13.*

### High-Altitude Installations

The BTU rating of this dryer is AGA-certified for elevations below 10,000 feet.

If your gas dryer is being installed at an elevation above 10,000 feet, it must be derated by a qualified technician or gas supplier.



# INSTALLATION INSTRUCTIONS

## ELECTRICAL REQUIREMENTS

### CONNECTING ELECTRIC DRYERS

**⚠ WARNING:** To help prevent fire, electric shock, serious injury, or death, the wiring and grounding must conform to the latest edition of the National Electrical Code, ANSI/NFPA 70 and all applicable local regulations. Please contact a qualified electrician to check your home's wiring and fuses to ensure that your home has adequate electrical power to operate the dryer.

#### *Special Electrical Requirements for Mobile or Manufactured Homes*

**⚠ WARNING:** To reduce the risk of fire, electric shock, or injury to persons when using this appliance, follow basic precautions, including the following:

- Any installation in a manufactured or mobile home must comply with the Manufactured Home Construction and Safety Standards Title 24 CFR, Part 32-80 or Standard CAN/CSA0Z240 MH and local codes and ordinances.
- **A 4-wire connection is required for all mobile and manufactured home installations, as well as all new construction after January 1, 1996.** Failure to do so can result in fire, explosion, or death.

#### *Electrical Requirements for Electric Models Only*

**⚠ WARNING:** To reduce the risk of fire, electric shock, or injury to persons when using this appliance, follow basic precautions, including the following:

- **This dryer must be connected to a grounded metal, permanent wiring system, or an equipment-grounding conductor must be run with the circuit conductors and connected to the equipment-grounding terminal or lead on the dryer.** Failure to do so can result in fire, explosion, or death.
- **The dryer has its own terminal block that must be connected to a separate 240 VAC, 60-Hertz, single-phase circuit, fused at 30 amperes. The circuit must be fused on both sides of the line. ELECTRICAL SERVICE FOR THE DRYER SHOULD BE OF THE MAXIMUM RATE VOLTAGE LISTED ON THE NAMEPLATE. DO NOT CONNECT DRYER TO 110-, 115-, OR 120-VOLT CIRCUIT.** Heating elements are available for field installation in dryers which are to be connected to an electrical service of a different voltage than that listed on the rating plate. Failure to follow these instructions can result in fire, explosion, or death.
- **If branch circuit to dryer is 15 ft. (4.5 m) or less in length, use UL (Underwriters Laboratories) listed No.-10 AWG wire (copper wire only), or as required by local codes. If over 15 ft. (4.50 m), use UL-listed No.-8 AWG wire (copper wire only), or as required by local codes. Allow sufficient slack in wiring so dryer can be moved from its normal location when necessary.** Failure to do so can result in fire, explosion, or death.
- **The power cord (pigtail) connection between wall receptacle and dryer terminal block IS NOT supplied with the dryer. Type of pigtail and gauge of wire must conform to local codes and with instructions on the following pages.** Failure to follow these instructions can result in fire, explosion, or death.
- **A 4-wire connection is required for all new construction after January 1, 1996. A 4-wire connection must be used where local codes do not permit grounding through the neutral wire.** Failure to do so can result in fire, explosion, or death.

# INSTALLATION INSTRUCTIONS

## CONNECTING ELECTRIC DRYERS (cont.)

### WARNING

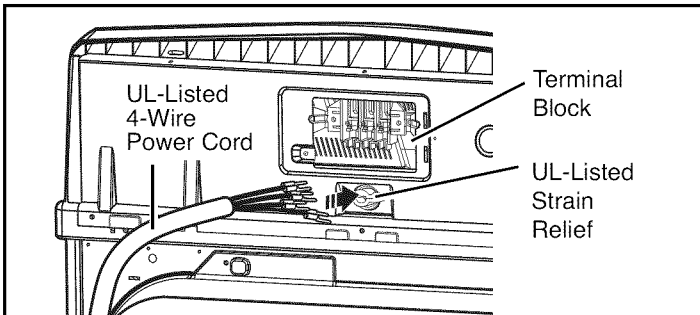
- Connect the power cord to the terminal block. Each colored wire should be connected to same color screw. Wire color indicated on manual is connected to the same color screw in block. Failure to follow these instructions may result in a short or overload.

#### Four-Wire Power Cord

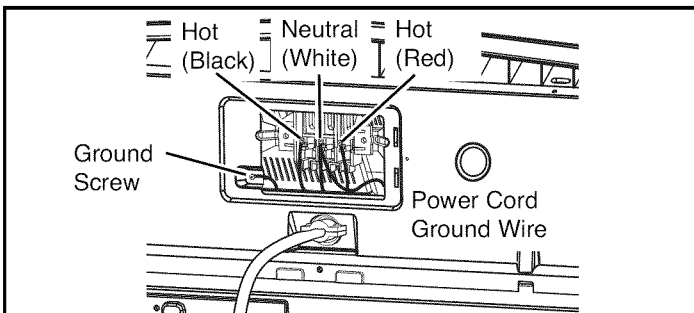


- A 4-wire connection is required for all mobile and manufactured home installations, as well as all new construction after January 1, 1996.

- A UL-listed strain relief is required.
- Use a **30-amp, 240-volt, 4-wire, UL-listed power cord with #10 AWG-minimum copper conductor** and closed loop or forked terminals with upturned ends.



1. Remove the terminal block access cover on the upper back of the dryer.
2. Install a UL-listed strain relief into the power cord through-hole.
3. Thread a **30-amp, 240-volt, 4-wire, UL-listed power cord with #10 AWG-minimum copper conductor** through the strain relief.



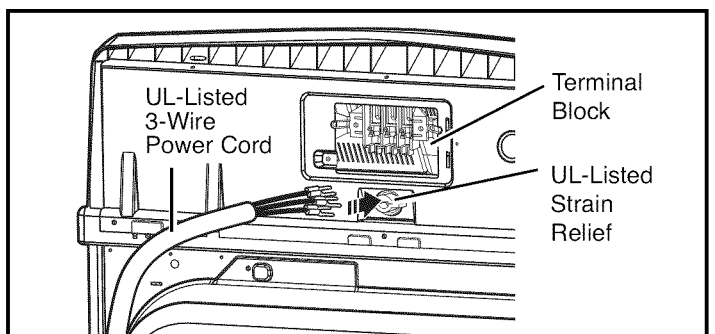
4. Transfer the dryer's ground wire from behind the green ground screw to the center screw of the terminal block.
5. Attach the two hot leads of the power cord to the outer terminal block screws.
6. Attach the white neutral wire to the center screw of the terminal block.
7. Attach the power cord ground wire to the green ground screw.
8. **TIGHTEN ALL SCREWS SECURELY.**
9. Reinstall the terminal block access cover.

#### Three-Wire Power Cord

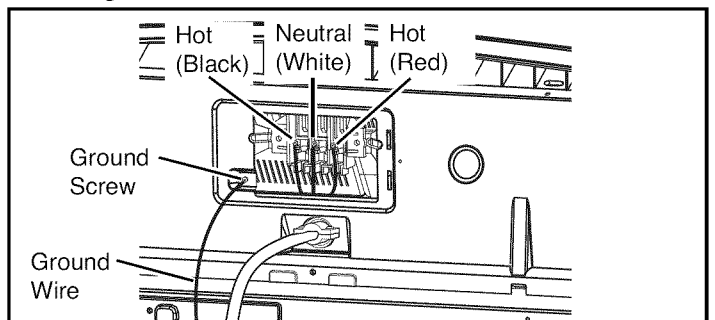


- A 3-wire connection is **NOT** permitted on new construction after January 1, 1996.
- A UL-listed strain relief is required.

- Use a **30-amp, 240-volt, 3-wire, UL-listed power cord with #10 AWG-minimum copper conductor** and closed loop or forked terminals with upturned ends.



1. Remove the terminal block access cover on the upper back of the dryer.
2. Install a UL-listed strain relief into the power cord through-hole.
3. Thread a **30-amp, 240-volt, 3-wire, UL-listed power cord with #10 AWG-minimum copper conductor** through the strain relief.



4. Attach the two hot leads of the power cord to the outer terminal block screws.
5. Attach the neutral wire to the center terminal block screw.
6. Connect the external ground (if required by local codes) to the green ground screw.
7. **TIGHTEN ALL SCREWS SECURELY.**
8. Reinstall the terminal block access cover.

# INSTALLATION INSTRUCTIONS

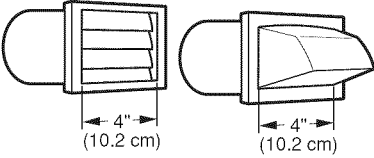
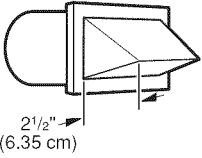
## VENTING REQUIREMENTS

### VENTING THE DRYER

**⚠️ WARNING:** To reduce the risk of fire, electric shock, or injury to persons when using this appliance, follow basic precautions, including the following:

- **Do not crush or collapse ductwork.** Failure to follow these instructions can result in fire or death.
- **Do not allow ductwork to rest on or contact sharp objects.** Failure to follow these instructions can result in fire or death.
- **If connecting to existing ductwork, make sure it is suitable and clean before installing the dryer.** Failure to follow these instructions can result in fire or death.
- **Venting must conform to local building codes.** Failure to follow these instructions can result in fire or death.
- **Gas dryers MUST exhaust to the outdoors.** Failure to follow these instructions can result in fire or death.
- **Use only 4-in. (10-cm) rigid or flexible metal ductwork inside the dryer cabinet and for venting outside.** Failure to follow these instructions can result in fire or death.
- **To reduce the risk of fire, combustion, or accumulation of combustible gases, DO NOT exhaust dryer air into an enclosed and unventilated area, such as an attic, wall, ceiling, crawl space, chimney, gas vent, or concealed space of a building.** Failure to follow these instructions can result in fire or death.
- **To reduce the risk of fire, DO NOT exhaust the dryer with plastic or thin foil ducting.** Failure to follow these instructions can result in fire or death.
- **The exhaust duct must be 4 in. (10 cm) in diameter with no obstructions. The exhaust duct should be kept as short as possible. Make sure to clean any old ducts before installing your new dryer.** Failure to follow these instructions can result in fire or death.
- **Rigid or semirigid metal ducting is recommended for use between the dryer and the wall. In special installations when it is impossible to make a connection with the above recommendations, a UL-listed flexible metal transition duct may be used between the dryer and wall connection only. The use of this ducting will affect drying time.** Failure to follow these instructions can result in fire or death.
- **DO NOT use sheet metal screws or other fasteners which extend into the duct that could catch lint and reduce the efficiency of the exhaust system. Secure all joints with duct tape.** Failure to follow these instructions can result in fire or death.
- **To maximize operating results, please observe the duct length limitations noted in the chart below.** Failure to follow these instructions can result in fire or death.
- **Ductwork is not provided with the dryer. You should obtain the necessary ductwork locally. The end cap should have hinged dampers to prevent backdraft when the dryer is not in use.** Failure to follow these instructions can result in fire or death.

### Selecting and Verifying Duct Length Chart

| Wall Cap Type  | Number of 90° Elbows | Max. Length of 4-In. Dia. Rigid Metal Duct | Max. Length of 4-In. Dia. Flexible Metal Duct |
|--|----------------------|--|---|
| <b>Recommended</b><br>                      | 0                    | 65 ft. (19.8 m)                            | 45 ft. (13.7 m)                               |
|  | 1                    | 55 ft. (16.8 m)                            | 35 ft. (10.7 m)                               |
|  | 2                    | 47 ft. (13.7 m)                            | 30 ft. (9.1 m)                                |
|  | 3                    | 36 ft. (11.0 m)                            | 25 ft. (7.6 m)                                |
|  | 4                    | 28 ft. (8.5 m)                             | 20 ft. (6.1 m)                                |
| <b>Only for Short-Run Installations</b><br> | 0                    | 55 ft. (16.8 m)                            | 35 ft. (10.7 m)                               |
|  | 1                    | 47 ft. (13.7 m)                            | 27 ft. (8.1 m)                                |
|  | 2                    | 41 ft. (12.5 m)                            | 21 ft. (6.4 m)                                |
|  | 3                    | 30 ft. (9.1 m)                             | 17 ft. (5.2 m)                                |
|  | 4                    | 22 ft. (6.7 m)                             | 15 ft. (4.5 m)                                |

**NOTE:** Deduct 6 ft. (1.8 m) for each additional elbow. It is not recommended to use more than four 90° elbows.

# INSTALLATION INSTRUCTIONS

## VENTING THE DRYER (cont.)

### *Using the Selecting and Verifying Duct Length Chart (page 13)*

1. Select the type of wall cap.
2. Select row that matches the number of elbows required in the dryer duct run.
3. Select the duct type. The length shown in the chart at this point is the maximum allowable duct length for your installation. Longer duct length will result in reduced drying performance, longer dry times and increased energy consumption.

DO NOT exceed maximum length for the duct type and

### **Routing and Connecting Ductwork**

Follow the guidelines below to maximize drying performance and reduce lint buildup and condensation in the ductwork.

**NOTE:** Ductwork and fittings are NOT included and **must** be purchased separately.

- Use 4-in. (10-cm) diameter rigid or semirigid metal ductwork.
- The exhaust duct run should be as short as possible.
- Use as few elbow joints as possible.
- The male end of each section of exhaust duct **must** point away from the dryer.
- Use duct tape on all duct joints.
- Insulate ductwork that runs through unheated areas in order to reduce condensation and lint buildup on duct surfaces.

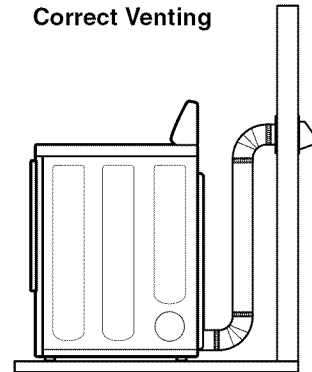
 **WARNING:** Failure to follow these guidelines will result in poor performance, product failure, and/or result in fire or death.

**IMPORTANT:** Failure to exhaust the dryer per the guidelines included within these instructions may result in unsatisfactory dryer performance. All venting and ductwork beyond the exterior of the dryer is the responsibility of the consumer. Product failure as a result of improper venting is not covered by the manufacturer's warranty.

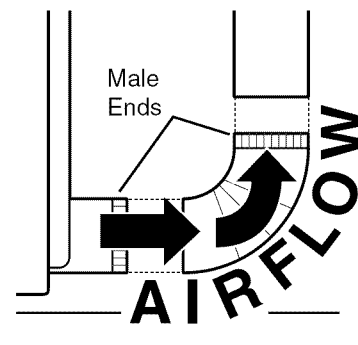
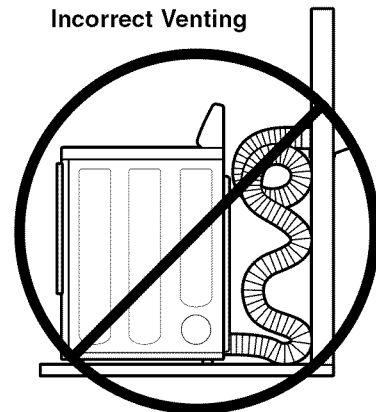
### **Connecting the Dryer Vent**

1. Verify all ducts and elbows are clean and free from any blockages.
2. Measure duct length. DO NOT exceed the maximum length listed in the chart on *page 13*.
3. Connect dryer exhaust to existing ductwork.
  - Use duct tape or clamps only.
  - DO NOT use screws to secure ductwork.
  - Use rigid or semirigid metal duct.
  - DO NOT use plastic or thin metal foil tubing for ductwork.
  - The male end of each elbow must always point in the direction of the airflow.

Correct Venting



Incorrect Venting



# INSTALLATION INSTRUCTIONS

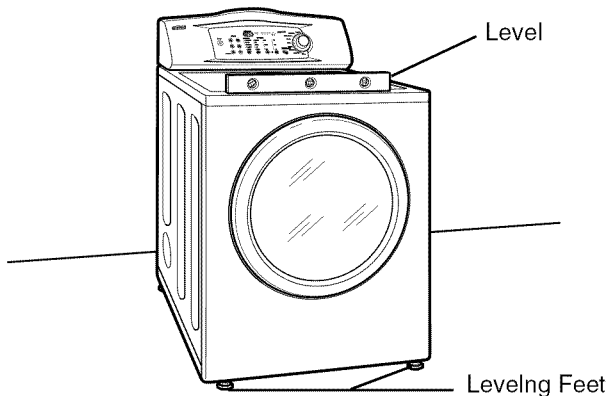
## LEVELING THE DRYER

### WARNING

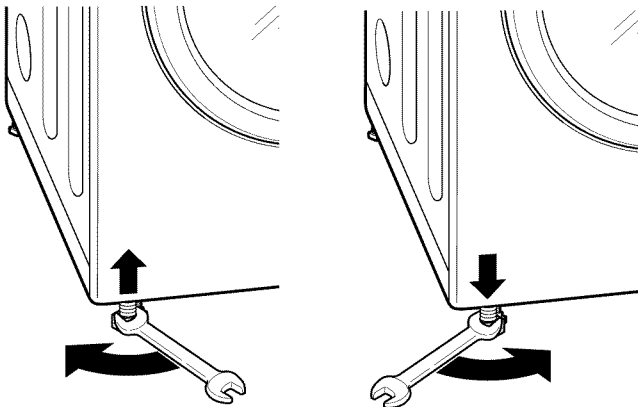
- Wear gloves during installation.
- Failure to follow these instructions can result in injury.

To ensure that the dryer provides optimal drying performance, it must be level. To minimize vibration, noise, and unwanted movement, the floor must be a level, solid surface.

**NOTE:** Adjust the leveling feet only as far as necessary to level the dryer. Extending the leveling feet more than necessary can cause the dryer to vibrate.



1. Position the dryer in the final location. Place a level across the top of the dryer.
  - All four leveling feet must rest solidly on the floor. Gently push on the top corners of the dryer to make sure that the dryer does not rock from corner to corner.

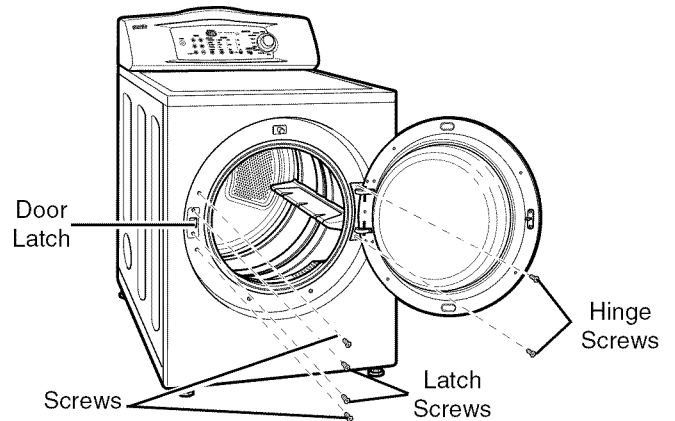


2. Use a wrench to turn the leveling feet. Turning the foot clockwise lowers the foot and raises the dryer; turning the foot counterclockwise raises the foot and lowers the dryer. Raise or lower the leveling feet until the dryer is level from side-to-side and front-to-back. Make sure that all 4 leveling feet are in firm contact with the floor.

**NOTE:** If you are installing the dryer on the optional pedestal, the dryer leveling feet should be fully retracted. Use the leveling feet on the pedestal to level the dryer.

## REVERSING THE DOOR SWING

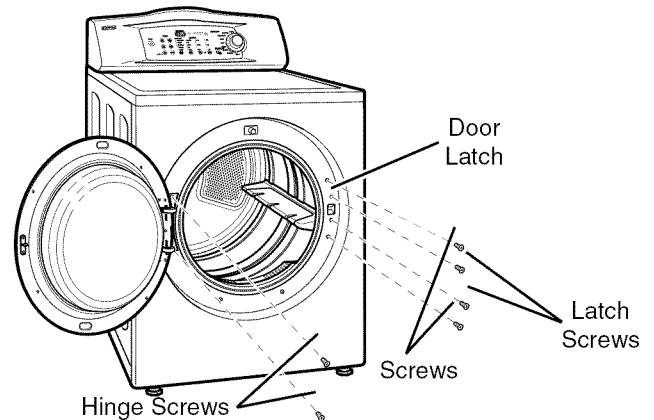
The swing of the dryer door can be reversed to fit your installation location.



1. Open the dryer door.

**NOTE:** Be sure to support the weight of the door before removing the hinge screws.

2. Using a Phillips screwdriver, remove the 2 hinge screws that secure the door hinge to the dryer door opening.
3. Remove the 2 latch screws and the latch from the dryer door opening.
4. Remove the two screws above and below the latch.



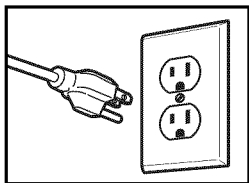
5. Carefully turn the door up-side-down so the hinge is reversed. Reattach the door to the opposite side of the door opening.
6. Reinstall the door latch with the original latch screws.
7. Replace the remaining screws in the open holes.
8. Test the door swing to make sure the door moves freely and latches securely.

# INSTALLATION INSTRUCTIONS

## FINAL INSTALLATION CHECK

Once you have completed the installation of the dryer and it is in its final location, confirm proper operation with the following steps and tests.

1. Is gas turned ON? (Gas Models only)
2. Is dryer plugged in? Dryer should always be plugged in to the proper outlet.



Gas dryer should use a 120-VAC, 60-Hz. grounded 3-prong outlet.



Electric dryer should use a 4-wire connection which is required for all mobile and manufactured home installations, as well as all new construction after January 1, 1996.

-- OR --



A 3-wire connection.  
NOTE: A 3-wire connection is NOT permitted on new construction after January 1, 1996.

3. Is dryer vent ductwork connected?
4. Is dryer level?
5. Perform the following tests before using the dryer.

## Testing Dryer Heating

### GAS MODELS

1. Close the dryer door.
2. Press the Power button to turn the dryer on.
3. Turn Cycle Selector Knob to Normal drying cycle.
4. Press the Cycle Selector Knob to start the dryer.  
When the dryer starts, the igniter should ignite the main burner.

**NOTE:** If all air is not purged from the gas line, the gas igniter may turn off before the main burner ignites. If this happens, the igniter will reattempt gas ignition until all the air is purged from the gas line.

### ELECTRIC MODELS

1. Close the dryer door.
2. Press the Power button to turn the dryer on.
3. Turn Cycle Selector Knob to Normal drying cycle.
4. Press the Cycle Selector Knob to start the dryer.  
The exhaust air should be warm after the dryer has been operating for 3 minutes.

## Checking Venting

Vent ductwork should be checked for lint buildup and cleaned at least once per year. If any noticeable reduction in drying performance occurs, check ductwork for obstructions and blockages.

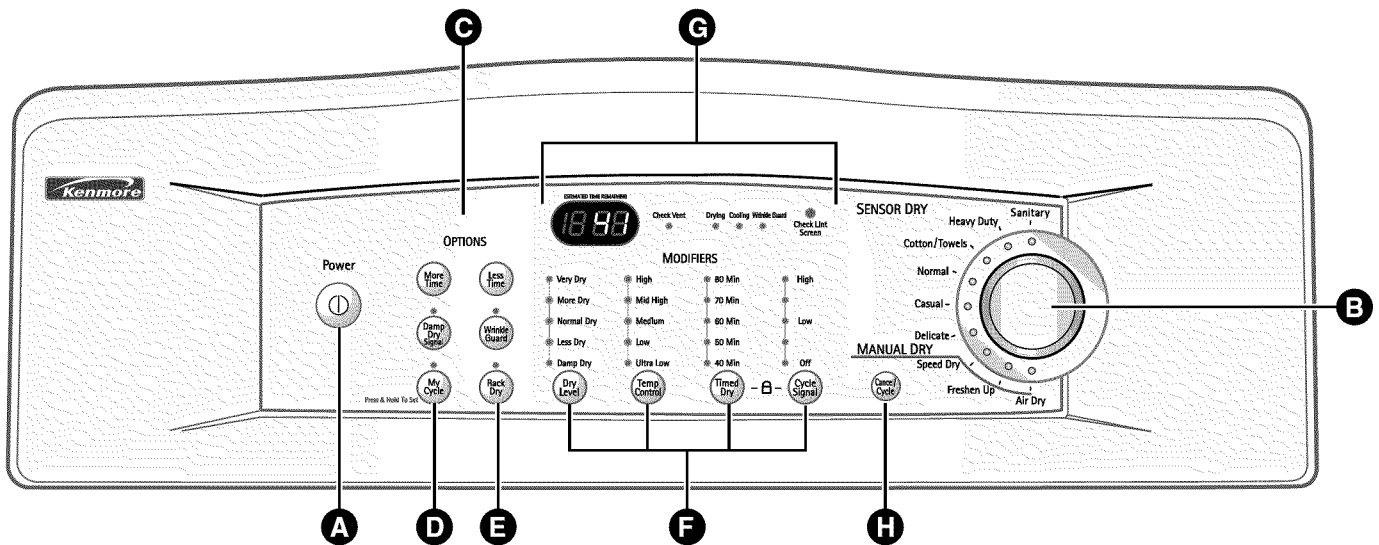
## Checking Levelness

Once the dryer is in its final location, recheck the dryer to be sure it is level. Make sure it is level front to back and side to side, and that all 4 leveling feet rest firmly on the floor.

# HOW TO USE

**WARNING:** To reduce the risk of fire, electric shock, or injury to persons, read this entire manual, including the Important Safety Instructions, before operating this dryer.

## CONTROL PANEL FEATURES



### A POWER (On/Off) BUTTON

Press to turn the dryer ON. Press again to turn the dryer OFF.

**NOTE:** Pressing the Power button during a cycle will cancel that cycle and any load settings

### B CYCLE SELECTOR KNOB-START/PAUSE

This knob is a dual function knob that is used both to select a cycle and to start or pause a cycle. Turn this knob to select the desired cycle. Once the desired cycle has been selected, the standard presets will be shown in the display. These settings can be adjusted using the Cycle Modifier or Option buttons anytime before starting the cycle. (See the cycle guide on page 19 for allowable settings. To protect your fabrics, not all settings are allowed in all cycles.)

Press this knob to START the selected cycle. If the dryer is running, use this knob to PAUSE the cycle without losing the current settings.

**NOTE:** If the dryer is stopped more than 4 minutes, the dryer will automatically turn off.

### C OPTION BUTTONS

The option buttons allow you to select additional cycle options. Certain buttons also allow you to activate special functions by pressing and holding the button for 3 seconds.

MORE TIME and LESS TIME options are not available with sensor dry cycles.

For detailed information about the individual options, please see the following pages.

### D MY CYCLE BUTTON

Press the MY CYCLE button to select the memorized cycle. Cycle selections and settings are memorized by pressing and holding the button for 3 seconds. (See page 23.)

### E RACK DRY BUTTON

The RACK DRY button selects preset temperature and time settings to rack dry items.

### F CYCLE MODIFIER BUTTONS

Use these buttons to adjust the desired cycle options for the selected cycle. The lights above the buttons show the current selection. See page 22 for a complete description (**NOTE:** Some settings are not allowed on some cycles.)

### G TIME AND STATUS DISPLAY

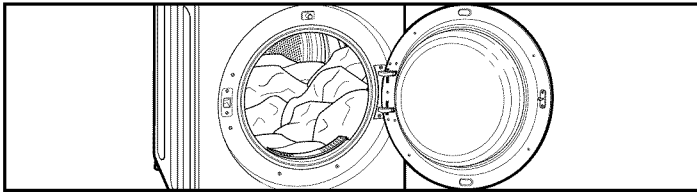
The display shows the estimated time remaining and the cycle status. The display also monitors the vent and lint screen status. See page 21 for a complete description.

### H CANCEL/CYCLE BUTTON

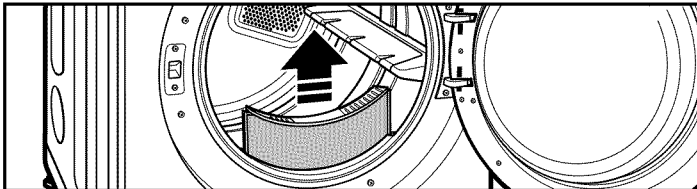
The CANCEL/CYCLE button is used to stop the dryer and reset the controls.

# HOW TO USE

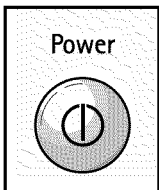
## OPERATING THE DRYER



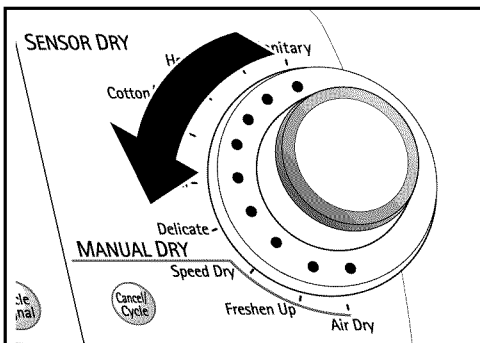
- 1 SORT LAUNDRY AND LOAD DRYER**  
Refer to page 20.



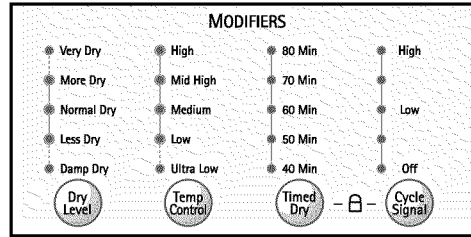
- 2 CHECK THE LINT FILTER**  
Refer to page 20.



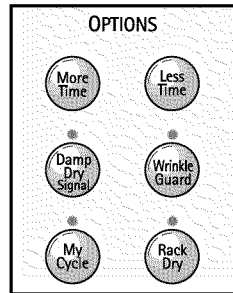
- 3 TURN ON DRYER**  
Press the Power button to turn on the dryer. The lights around the Cycle Selector Knob will illuminate. Refer to page 17.



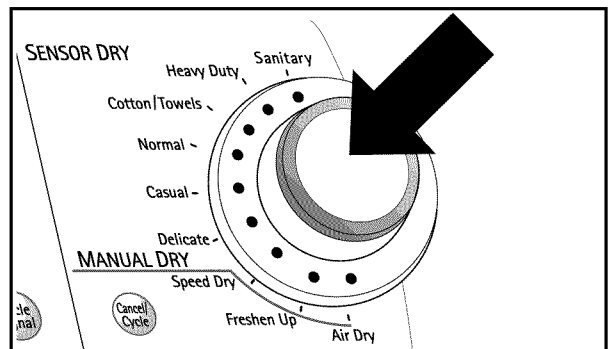
- 4 SELECT CYCLE**  
Turn the Cycle Selector Knob to the desired cycle. The display will show the preset Dry Level, Temperature, Time, and Option settings for that cycle. Manual Dry cycles also allow you to select a Timed Dry setting. Refer to page 17.



- 5 SELECT CYCLE MODIFIERS**  
Dry Level, Temp Control, Timed Dry and Cycle Signal  
Refer to page 22.



- 6 SELECT CYCLE OPTIONS**  
More Time, Less Time, Damp Dry Signal, Wrinkle Guard, My Cycle and Rack Dry  
Refer to page 23.



- 7 BEGIN CYCLE**  
Press the Cycle Selector Knob to begin the cycle. Pressing the Cycle Selector Knob after the dryer is running will Pause the dryer and retain the existing setting up to 4 minutes. Refer to page 17.

When the load is finished, the Cycle Signal (if set) will sound. If you have set the Wrinkle Guard option, the dryer will tumble the load periodically for up to 3 hours. Refer to page 23 for Wrinkle Guard details.

Remove items from the dryer immediately after the end of the cycle to prevent further wrinkling.

Checking and cleaning the lint screen after every load is essential for dryer performance and preventing lint buildup and/or vent blockage.

# HOW TO USE

## CYCLE GUIDE

The cycle guide below shows the options and recommended fabric types for each cycle.

● = available option

| Type       | Cycle  | Fabric Type  | Dry Level  | Temperature | Time in Min. | More Time/<br>Less Time | Wrinkle Guard | Damp Dry |
|------------|--|--|------------|-------------|--------------|-------------------------|---------------|----------|
| SENSOR DRY | Heavy Duty                                   | Jeans, heavyweight items   | Normal     | High        | 54           |                         | ●             | ●        |
|            |  |  | Adjustable |             |              |                         |               |          |
|            | Cotton/Towels                                | Denims, towels, heavy cottons  | Normal     | Medium High | 55           |                         | ●             | ●        |
|            |  |  | Adjustable |             |              |                         |               |          |
|            | Normal                                       | Work clothes, corduroys, etc.  | Normal     | Medium      | 41           |                         | ●             | ●        |
|            |  |  | Adjustable |             |              |                         |               |          |
| Casual     | Permanent press, synthetic items             | Normal   | Low        | 36          |              | ●                       | ●             |          |
|            |  | Adjustable   |            |             |              |                         |               |          |
| Delicate   | Lingerie, sheets, blouses                    | Normal   | Low        | 32          |              | ●                       | ●             |          |
|            |  | Adjustable   |            |             |              |                         |               |          |
| Sanitary   | Work clothes, heavy cottons, corduroys, etc. | Very Dry   | High       | 70          |              | ●                       |               |          |
|            |  | Non-Adjustable   |            |             |              |                         |               |          |
| MANUAL DRY | Speed Dry                                    | For small loads with short drying times                                | Off        | High        | 25           | ●                       | ●             |          |
|            |  |  |            | Adjustable  | Adjustable   |                         |               |          |
|            | Freshen Up                                   | For removing light wrinkles from clothing                              | Off        | Medium High | 20           | ●                       | ●             |          |
|            |  |  |            | Adjustable  | Adjustable   |                         |               |          |
|            | Air Dry                                      | For items that require heat-free drying such as plastics or rubber     | Off        | No Heat     | 30           | ●                       | ●             |          |
|            |  |  |            |             | Adjustable   |                         |               |          |
|            | Time Dry                                     | For general drying; time, temperature, and options can be set manually | Off        | High        | 60           | ●                       | ●             |          |
|            |  |  |            | Adjustable  | Adjustable   |                         |               |          |
|            | Rack Dry                                     | Wool sweaters, silk, lingerie  | Off        | Off         | 50           | ●                       |               |          |
|            |  |  |            | Ultra Low   | Ultra Low    |                         |               |          |
|            |  |  | Low        | Low         |              |                         |               |          |

### Sensor Dry Cycles

Sensor Dry cycles utilize a unique dual sensor system to detect and compare the moisture level in clothes and in the air and adjust the drying time as needed to ensure superior results. The dryer automatically sets the dryness level and temperature at the recommended setting for each cycle. The estimated time remaining will be shown in the display.

**NOTE:** To protect your garments, not every dry level, temperature, or option is available with every cycle.

### Manual Dry Cycles

Use Manual Dry cycles to select a specific amount of drying time and a drying temperature. When a Manual Dry cycle is selected, the ESTIMATED TIME REMAINING display shows the actual time remaining in your cycle. You can change the actual time in the cycle by pressing MORE TIME or LESS TIME. Press and hold the MORE TIME or LESS TIME buttons to rapidly change the time.

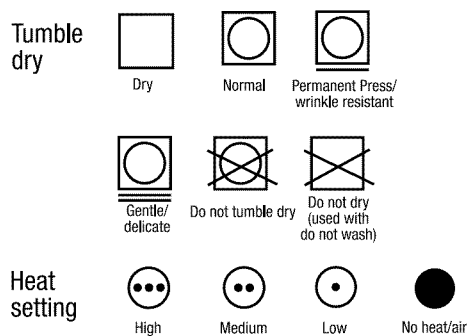
# HOW TO USE

**WARNING:** To reduce the risk of fire, electric shock, or injury to persons, read this entire manual, including the Important Safety Instructions, before operating this dryer.

## SORTING LOADS

### Fabric Care Labels

Most articles of clothing feature fabric care labels that include instructions for proper care.



### Grouping Similar Items

For best results, sort clothes into loads that can be dried with the same drying cycle.

Different fabrics have different care requirements, and some fabrics will dry more quickly than others. For best fabric care results, always dry fabrics with similar care requirements together.

## LOADING THE DRYER

**WARNING:** To reduce the risk of fire, electric shock, or injury to persons when using this appliance, follow basic precautions, including the following:

- Check all pockets to make sure that they are empty. Items such as clips, pens, coins, and keys can damage both your dryer and your clothes. Flammable objects such as lighters or matches could ignite, causing a fire. Failure to do so can result in fire, explosion, or death.
- Never dry clothes that have been exposed to oil, gasoline, or other flammable substances. Washing clothes will not completely remove oil residues. Failure to obey this warning can result in fire, explosion, or death.

### Loading Tips

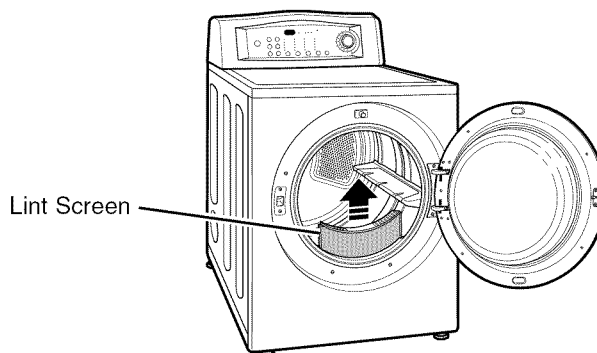
- Combine large and small items in a load.
- Damp clothes will expand as they dry. Do not overload the dryer; clothes require room to tumble dry properly.
- Close zippers, hooks, and drawstrings to prevent these items from snagging or tangling on other clothes.

## CHECK THE LINT SCREEN BEFORE EVERY LOAD

Always make sure the lint screen is clean before starting a new load; a clogged lint screen will increase drying times.

To clean, pull the lint screen straight up and roll any lint off the screen with your fingers. Do not rinse or wash the screen to remove lint. Push the lint screen firmly back into place. See "Regular Cleaning" on page 25 for more information.

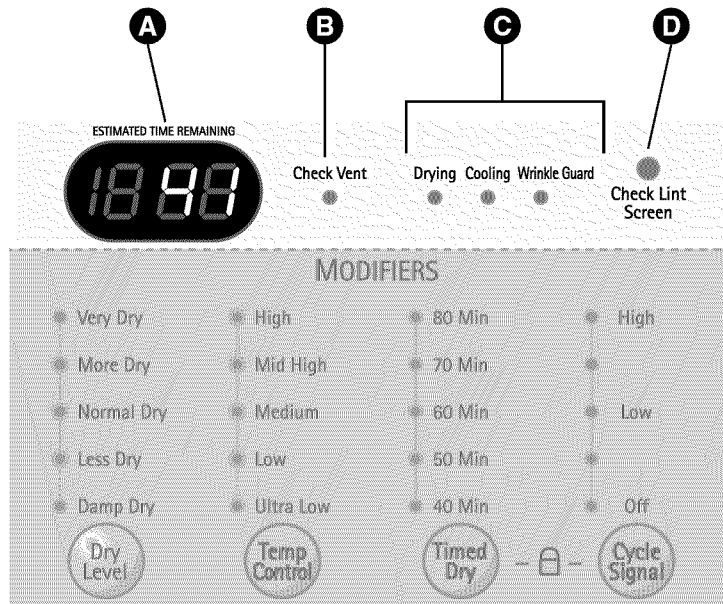
Always ensure the lint screen is properly installed before running the dryer. Running the dryer with a loose or missing lint screen may damage the dryer and articles in the dryer.



# HOW TO USE

## TIME AND STATUS DISPLAY

The Time and Status Display shows the estimated time remaining, cycle progress, lint screen status, and vent status. When the dryer is turned on, the display will illuminate.



### **A** ESTIMATED TIME REMAINING

When the START/PAUSE button is pressed, the display will indicate the estimated time remaining for the selected drying cycle.

### **B** CHECK VENT (Duct Blockage Sensing System)

The Check Vent (Duct blockage sensing system) detects and alerts you to blockages in the ductwork that reduce airflow from the dryer. This improves operating efficiency and help minimize service calls, saving you money.

If the Check Vent LED is blinking, the dryer ductwork has a blockage that needs to be removed immediately.

If the Check Vent LED is not blinking, the ductwork is free from blockages.

### **C** CYCLE STATUS INDICATOR

This portion of the display shows which stage of the drying cycle is currently underway (DRYING, COOLING, or WRINKLE GUARD).

### **D** LINT SCREEN INDICATOR

The dryer automatically detects reduced airflow caused by a full lint screen. The Check Lint Screen indicator will light before each load as a reminder to check the lint screen before starting each load. If the lint screen becomes clogged during a load, the indicator will come on to let you know that the screen should be cleaned immediately for maximum efficiency. Always clean the lint screen before every cycle.

# HOW TO USE

## CYCLE MODIFIER BUTTONS

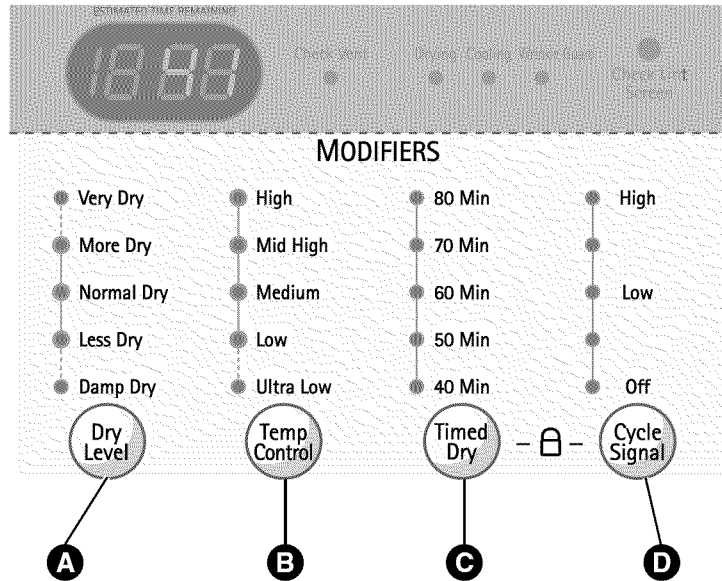
Each cycle has preset settings that are selected automatically. You may also customize these settings using the cycle modifier buttons.

SENSOR DRY cycles have preset settings that are selected automatically and cannot be changed.

MANUAL DRY cycles have default settings, but you may also customize the settings using the cycle modifier buttons.

Press the button for the desired modifier until the indicator light for the desired value is lit.

**NOTE:** To protect your garments, not every dryness level, temperature, or option is available with every cycle. See the Cycle Guide on page 19 for details.



### **A** DRY LEVEL

Selects the level of dryness for the cycle. Press the DRY LEVEL button repeatedly to scroll through available settings.

- This option is only available with MANUAL DRY cycles.
- The dryer will automatically adjust the cycle time. Selecting VERY DRY or MORE DRY will increase the cycle time, while LESS DRY or DAMP DRY will decrease the cycle time.
- Use a LESS DRY or DAMP DRY setting for items that you wish to iron.

### **B** TEMP CONTROL

Adjusts the temperature setting from ULTRA LOW to HIGH. This allows precise care of your fabrics and garments. Press the TEMP CONTROL button repeatedly to scroll through available settings.

### **C** TIMED DRY

Allows you to manually select the drying time in 10-minute increments. Use this cycle for small loads or to remove wrinkles. Use the MORE TIME/LESS TIME buttons to add or reduce the drying time in 1-minute increments.

### **D** CYCLE SIGNAL

Adjusts the volume of the end-of-cycle signal or turns off the signal. Press button repeatedly until the desired volume is shown on the display.

## CYCLE OPTION BUTTONS

Your dryer features several additional cycle options to customize cycles to meet your individual needs. Certain option buttons also feature a special function (see the following page for details) that can be activated by pressing and holding that option button for 3 seconds.

### To Add Cycle Options to a Cycle:

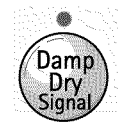
1. Turn on the dryer.
2. Turn the Cycle Selector Knob to select the desired cycle.
3. Use the Cycle Modifier buttons to adjust the settings for that cycle.
4. Press the Cycle Option button(s) for the option you would like to add. A confirmation message will be shown in the display.
5. Press the Cycle Selector Knob to start the cycle. The dryer will start automatically.

### WRINKLE GUARD



Selecting this option will tumble the load periodically for a few seconds without heat. This will continue for up to 3 hours after the selected cycle, or until the door is opened. This prevents wrinkling of unremoved dry items until they can be removed.

### DAMP DRY SIGNAL



With this option, the dryer will beep when the load is approximately 80% dry. This allows you to remove faster drying lightweight items or items that you would like to iron or hang while still slightly damp. This option is only available with Sensor Dry cycles.

## MY CYCLE



MY CYCLE allows you to store any special combination of settings that you use frequently. It allows you to save drying levels, temperatures, times, and options for a cycle, and then recall them at the touch of a button.

### To store MY CYCLE:

1. Turn on the dryer.
2. Select a cycle.
3. Use the cycle modifier buttons to adjust the settings for that cycle.
4. Set any other desired cycle options.
5. Press and hold the MY CYCLE button for 3 seconds. You will hear two beeps to confirm the settings have been stored.

**IMPORTANT:** You can only save one My Cycle program at a time. If you press and hold the MY CYCLE button for 3 seconds, you will overwrite any previously stored My Cycle settings.

### To recall MY CYCLE:

1. Press and release the MY CYCLE button. The stored settings will be displayed.
2. Press and release the Cycle Selector Knob to start the cycle. The dryer will start automatically.

**NOTE:** Once My Cycle has been recalled, any of the memorized modifiers or options can be adjusted. However, if the Cycle Selector Knob is rotated, My Cycle will be cancelled.

## SPECIAL FUNCTIONS

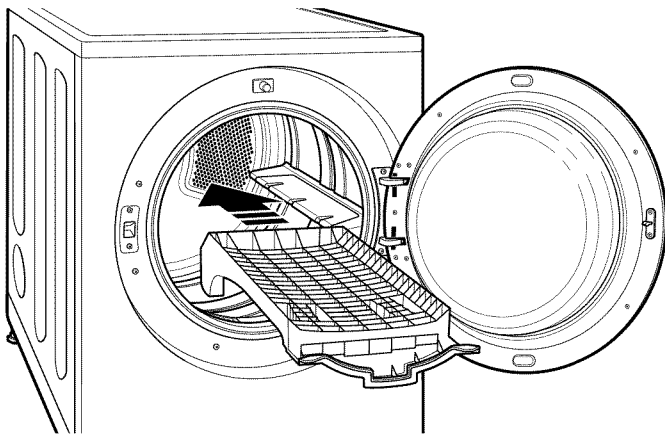
### RACK DRY



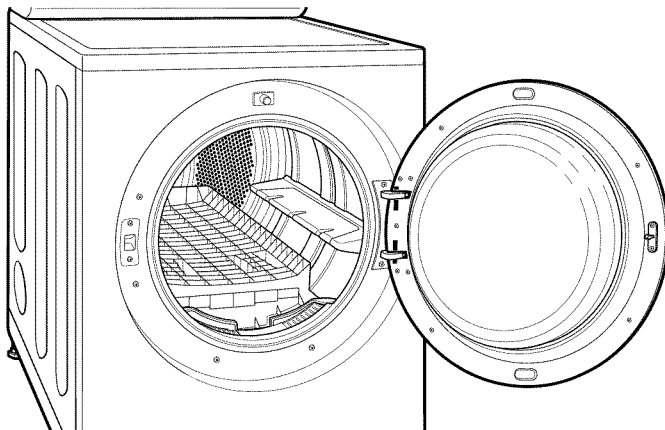
Use RACK DRY with items, such as wool sweaters, silk, and lingerie, that should dry flat. RACK DRY can also be used with items that should not be tumbled, such as gym shoes or stuffed animals.

**NOTE:** NEVER use the rack with a tumble dry cycle.

### Install the Drying Rack



1. With the dryer door open, slide the rack into the dryer drum.



2. Make sure it is seated evenly on the edge of the inner door rim and resting flat on the inside of the dryer.

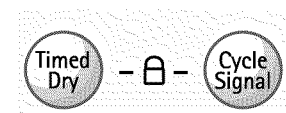
**NOTE:** Be sure to remove the drying rack after using the RACK DRY cycle.

### SANITARY CYCLE

When the Sanitary Cycle is selected on the Cycle Selector Knob, the dryer automatically sets the temperature to HIGH and the dryness level to VERY DRY.

**NOTE:** Do not use this cycle with delicate fabrics.

### CHILD LOCK



Use this option to prevent cycle settings from being changed while the dryer is operating. Press and hold the TIMED DRY and CYCLE SIGNAL for 3 seconds to activate

or deactivate CHILD LOCK. "CL" will be shown in the display alternately with the estimated time remaining. All controls will be disabled. The CHILD LOCK will automatically be cancelled when the dryer completes the cycle.

# USER MAINTENANCE INSTRUCTIONS

**⚠ WARNING:** To reduce the risk of fire, electric shock, or injury to persons when using this appliance, follow basic precautions, including the following:

- **Unplug the dryer before cleaning to avoid the risk of electric shock.** Failure to follow this warning can cause serious injury, fire, electrical shock, or death.
- **Never use harsh chemicals, abrasive cleaners, or solvents to clean the dryer.** They will damage the finish.

## REGULAR CLEANING

### *Cleaning the Exterior*

Proper care of your dryer can extend its life. The outside of the machine can be cleaned with warm water and a mild, nonabrasive household detergent. Immediately wipe off any spills with a soft, damp cloth.

**IMPORTANT:** Do not use methylated spirits, solvents, or similar products.

**NEVER** use steel wool or abrasive cleansers because they can damage the surface.

### *Cleaning the Interior*

Wipe around the door opening and seal with a soft, damp cloth to remove lint and dust buildup that could damage the door seal.

Clean the window with a soft cloth dampened with warm water and a mild, nonabrasive household detergent; then wipe dry.

**NEVER** use steel wool or abrasive cleansers; they can scratch or damage the surface.

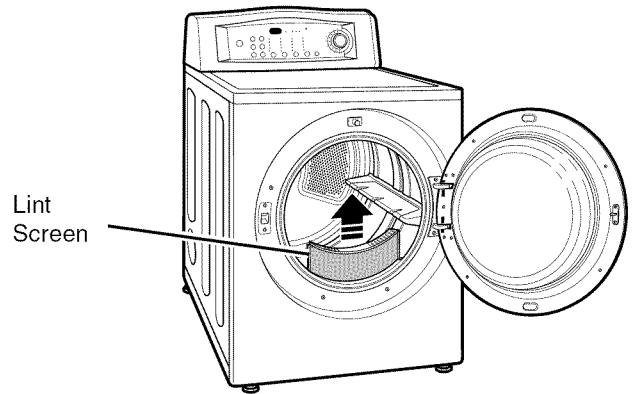
### *Cleaning Around and Under the Dryer*

Vacuum lint and dust from around the dryer and underneath it regularly.

### *Maintaining Ductwork*

Vent ductwork should be checked for lint buildup and cleaned at least once per year. If any noticeable reduction in drying performance occurs, check ductwork for obstructions and blockages. If the CHECK VENT indicator illuminates, the exhaust system should be checked immediately for damage or obstructions. The CHECK VENT indicator signals a serious reduction in exhaust airflow which will greatly reduce energy efficiency and increase drying times. Damaged or restricted exhaust systems are not covered by the dryer warranty. Damage to the dryer that is caused by damaged, restricted, or otherwise inadequate exhaust systems is not covered by the dryer warranty.

### *Cleaning the Lint Screen*

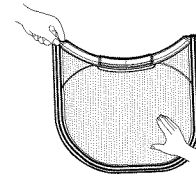


**ALWAYS** make sure the lint filter is clean before every cycle. The Check Lint Screen Light on the control panel will blink before every cycle to remind you.

**NOTE:** **NEVER** operate the dryer without the lint screen.

#### *To remove lint between cycles:*

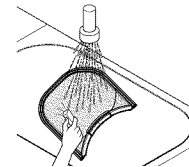
1. Open the dryer door.



2. Pull the lint screen straight up. Then:
3. Roll any lint off the screen with your fingers.

#### *Periodic thorough cleaning:*

Some fabric softeners can buildup on the lint screen over time. This buildup can restrict the airflow through the screen reducing dryer efficiency and lengthening dry times. If the screen looks dark or dirty when held up to the light, follow these steps to clean:



1. Use hot soapy water and a stiff brush to clean the screen.
2. Make sure the filter is completely dry before reinstalling and using the dryer.

**NOTE:** **NEVER** operate the dryer with a wet lint screen.

## TROUBLESHOOTING GUIDE

### BEFORE CALLING FOR SERVICE

Your dryer is equipped with an automatic error-monitoring system to detect and diagnose problems at an early stage. If your dryer does not function properly or does not function at all, check the following before you call for service.

#### Dryer will not turn on

| Check if...   | Then...   |
|---|---|
| Power cord is not properly plugged in.  | Make sure that the plug is plugged securely into a grounded outlet matching the dryer's rating plate.   |
| House fuse is blown, circuit breaker has tripped, or power outage has occurred. | Reset circuit breaker or replace fuse. Do not increase fuse capacity. If the problem is a circuit overload, have it corrected by a qualified electrician. |

#### Dryer does not heat

| Check if...   | Then...   |
|---|---|
| House fuse is blown, circuit breaker has tripped, or power outage has occurred. | Reset circuit breaker or replace fuse. Do not increase fuse capacity. If the problem is a circuit overload, have it corrected by a qualified electrician.                     |
| Gas supply or service turned off (gas models only).                             | Confirm that the house gas shutoff and the dryer gas shutoff are both fully open. Even if gas is not supplied to the dryer, it will run and no error codes will be displayed. |

#### Greasy or dirty spots on clothes

| Check if...                                   | Then...   |
|---|---|
| Fabric softener used incorrectly.             | Confirm and follow the instructions provided with your fabric softener.   |
| Clean and dirty clothes being dried together. | Make sure to use your dryer to dry only clean items, because dirty items can soil clean clothes placed in the same or subsequent loads.   |
| Clean and dirty clothes being dried together. | Stains on dried clothes are actually stains that weren't removed during the washing process. Make sure that clothes are being completely cleaned according to the instructions for your washer and detergent. |

#### Excess static in clothes after drying

| Check if...  | Then...  |
|--|--|
| Fabric softener not used or used incorrectly.            | Use a fabric softener to reduce static electricity. Be sure to follow the manufacturer's instructions.   |
| Clothes dried too long (overdried).                      | Overdrying a load of laundry can cause a buildup of static electricity. Adjust settings and use a shorter drying time, or use SENSOR DRY cycles. |
| Drying synthetics, permanent press, or synthetic blends. | These fabrics are naturally more prone to static buildup. Try using fabric softener, LESS DRY dryness level, and/or shorter TIMED DRY time.      |

## TROUBLESHOOTING GUIDE

### BEFORE CALLING FOR SERVICE (cont.)

#### Drying time is not consistent

##### Check if...

##### Then...

|  |   |
|--|---|
| Heat settings, load size, or dampness of clothing is not consistent. | The drying time for a load will vary depending on the type of heat used (electric, natural, or LP gas), the size of the load, the type of fabrics, the wetness of the clothes, and the condition of the exhaust ducts and lint filter. Even an unbalanced load in the washer can cause poor spinning resulting in wetter clothes which will take longer to dry. |
|--|---|

#### Clothes take too long to dry

##### Check if...

##### Then...

|   |  |
|---|--|
| Load is not properly sorted.  | Separate heavy items from lightweight items. Larger and heavier items take longer to dry. Light items in a load with heavy items can fool the sensor because the light items dry faster.   |
| Large load of heavy fabrics.  | Heavy fabrics take longer to dry because they tend to retain more moisture. To help reduce and maintain more consistent drying times for large and heavy fabrics, separate these items into smaller loads of a consistent size.  |
| Dryer controls are not set properly.  | Use the appropriate control settings for the type of load you are drying. Some loads may require an adjustment of the dryness level for proper drying.   |
| Lint filter needs to be cleaned.  | Make sure the lint filter is cleaned before every load. With some loads that produce high amounts of lint, it may be necessary to pause the cycle and clean the filter during the cycle.   |
| Exhaust ducts blocked, dirty, or duct run is too long.                          | Blocked vents can add significant drying time to a load. Confirm that the exhaust ductwork is properly configured and free of debris, lint, and obstructions. Make sure that outside wall dampers can open properly and are not blocked, jammed, or damaged. Refer to the installation instructions at the beginning of this manual for proper venting guidelines. |
| House fuse is blown, circuit breaker has tripped, or power outage has occurred. | Reset circuit breaker or replace fuse. Do not increase fuse capacity. If the problem is a circuit overload, have it corrected by a qualified electrician.  |
| Dryer is overloaded.  | Divide larger loads into smaller loads for drying.   |
| Dryer is underloaded.   | If you are drying a very small load, add a few extra items to ensure proper tumbling action. If the load is too small, the electronic control cannot properly sense the dryness of the load and may shut off too soon. Use timed dry or add some extra wet clothes to the load.  |

# TROUBLESHOOTING GUIDE

## BEFORE CALLING FOR SERVICE (cont.)

### Clothes are wrinkled

#### Check if...

#### Then...

|  |   |
|--|---|
| Clothes dried too long (overdried).              | Overdrying a load of laundry can lead to wrinkled clothes. Try a shorter drying time or LESS DRY setting and remove items while they still retain a slight amount of moisture.      |
| Clothes left in dryer too long after cycle ends. | Remove items from the dryer immediately at the end of the cycle. Use the WRINKLE CARE option to tumble the clothes briefly at intervals at the end of the cycle, for up to 3 hours. |

### Clothes are shrinking

#### Check if...

#### Then...

|   |  |
|---|--|
| Garment care instructions are not being followed. | To avoid shrinkage, please carefully follow the fabric care instructions for your garment, because some fabrics will naturally shrink when washed. Other fabrics can be washed but will shrink when dried in a dryer. Use a low or no heat setting and/or the RACK DRY option. |
|---|--|

### Check vent indicator is blinking

#### Check if...

#### Then...

|   |  |
|---|--|
| Ductwork is too long or has too many turns/restrictions.                      | Install a shorter or straighter duct run. See the Installation Instructions for details.   |
| Partial blockage of the ductwork due to lint buildup or other foreign object. | Ductwork should be checked/cleaned immediately. Dryer can be used in this condition, but drying times will be longer and energy consumption will be increased. |

### Display shows error code TE1 or TE2

#### Check if...

#### Then...

|                              |  |
|------------------------------|--|
| Temperature sensing failure. | Turn off the dryer and call for service. |
|------------------------------|--|

### Lint on clothes

#### Check if...

#### Then...

|                                       |  |
|---------------------------------------|--|
| Lint filter not cleaned properly.     | Make sure the lint filter is cleaned before every load. With some loads that produce high amounts of lint, it may be necessary to clean the filter during the cycle.       |
| Laundry not sorted properly.          | Some fabrics are lint producers (i.e., a fuzzy white cotton towel) and should be dried separately from clothes that are lint trappers (i.e., a pair of black linen pants). |
| Excess static in clothes.             | Static can cause lint to cling to clothing. See <i>Excess Static in Clothes After Drying</i> section on page 26.   |
| Dryer is overloaded.                  | Divide larger loads into smaller loads for drying.   |
| Tissue, paper, etc., left in pockets. | Check pockets thoroughly before washing and drying clothes.  |



## WARRANTY

### One-Year Limited Warranty

When installed, operated and maintained according to all instructions supplied with the product, if this appliance fails due to a defect in material and workmanship within one year from the date of purchase, call 1-800-4-MY-HOME® to arrange for free repair.

If this appliance is ever used for other than private family purposes, this warranty applies for only 90 days from the date of purchase.

**This warranty covers only defects in material and workmanship. Sears will NOT pay for:**

1. Expendable items that can wear out from normal use, including but not limited to filters, belts, light bulbs, and bags.
2. A service technician to instruct the user in correct product installation, operation or maintenance.
3. A service technician to clean or maintain this product.
4. Damage to or failure of this product if it is not installed, operated or maintained according to all the instructions supplied with the product.
5. Damage to or failure of this product resulting from accident, abuse, misuse or use for other than its intended purpose.
6. Damage to or failure of this product caused by the use of detergents, cleaners, chemicals or utensils other than those recommended in all instructions supplied with the product.
7. Damage to or failure of parts or systems resulting from unauthorized modifications made to this product.

#### **Disclaimer of implied warranties; limitation of remedies**

Customer's sole and exclusive remedy under this limited warranty shall be product repair as provided herein. Implied warranties, including warranties of merchantability or fitness for a particular purpose, are limited to one year or the shortest period allowed by law. Sears shall not be liable for incidental or consequential damages. Some states and provinces do not allow the exclusion or limitation of incidental or consequential damages, or limitation on the duration of implied warranties of merchantability or fitness, so these exclusions or limitations may not apply to you.

This warranty applies only while this appliance is used in the United States or Canada.

This warranty gives you specific legal rights, and you may also have other rights which vary from state to state.

Sears, Roebuck and Co., Hoffman Estates, IL 60179  
Sears Canada Inc., Toronto, Ontario, Canada M5B 2B8

## TABLA DE CONTENIDOS

### INSTRUCCIONES IMPORTANTE DE SEGURIDAD

|  |       |
|--|-------|
| Precauciones básicas de seguridad . . . . .                            | 32–35 |
| Requisitos especiales para viviendas móviles o prefabricadas . . . . . | 35    |

### CARACTERÍSTICAS Y BENEFICIOS

|                                      |    |
|--------------------------------------|----|
| Piezas y componentes clave . . . . . | 36 |
|--------------------------------------|----|

### INSTRUCCIONES PARA LA INSTALACIÓN

|   |        |
|---|--------|
| Dimensiones y especificaciones claves . . . . .               | 37     |
| Requisitos de ubicación . . . . .                             | 37     |
| Escoja el lugar adecuado . . . . .                            | 37     |
| Espacios de instalación . . . . .                             | 37     |
| Requerimientos de gas . . . . .                               | 38     |
| Conexión de secadoras a gas . . . . .                         | 38, 39 |
| Requerimientos eléctricos . . . . .                           | 40     |
| Cómo conectar las secadoras eléctricas . . . . .              | 40, 41 |
| Requerimientos de ventilación . . . . .                       | 42     |
| Conexión del conducto de ventilación de la secadora . . . . . | 42, 43 |
| Nivelación de la secadora . . . . .                           | 44     |
| Cómo invertir el sentido de la puerta . . . . .               | 44     |
| Revisión de instalación final . . . . .                       | 45     |

### CÓMO USAR

|  |    |
|--|----|
| Características del panel de control . . . . .           | 46 |
| Cómo operar la secadora . . . . .                        | 47 |
| Guía de ciclos . . . . .                                 | 48 |
| Clasificación de cargas . . . . .                        | 49 |
| Cómo cargar de la secadora . . . . .                     | 49 |
| Revise el filtro de pelusa antes de cada carga . . . . . | 49 |
| Pantalla de tiempo y estado . . . . .                    | 50 |
| Botones modificadores de ciclo . . . . .                 | 51 |
| Botones de opción de ciclo . . . . .                     | 52 |
| Mi ciclo . . . . .                                       | 52 |
| Funciones especiales . . . . .                           | 53 |

### MANTENIMIENTO Y LIMPIEZA

|                            |    |
|----------------------------|----|
| Limpieza regular . . . . . | 54 |
|----------------------------|----|

### RESOLUCIÓN DE PROBLEMAS

|   |       |
|---|-------|
| Antes de llamar a mantenimiento . . . . . | 55-57 |
|---|-------|

|                           |    |
|---------------------------|----|
| <b>GARANTÍA</b> . . . . . | 59 |
|---------------------------|----|

## REGISTRO DE PRODUCTO

En el espacio de abajo, registre la fecha de compra, modelo y número de serie de su producto. Usted encontrará el número de modelo y de serie impreso en una placa de identificación ubicada dentro de la puerta de la secadora. Tenga esta información disponible cuando se comunique con Sears en relación a su producto.

Nº de modelo. \_\_\_\_\_

Fecha de compra \_\_\_\_\_

Nº de serie \_\_\_\_\_

Guarde estas instrucciones y su recibo de venta para referencia futura.

## ACUERDOS DE PROTECCIÓN

### Acuerdos Maestros de Protección

*Felicitaciones por haber efectuado una compra inteligente.* Su nuevo producto Kenmore® está diseñado y fabricado para brindar años de funcionamiento confiable. Pero como con todos los productos, puede requerir mantenimiento preventivo o reparaciones de vez en cuando. Ahí es cuando contar con un Acuerdo Maestro de Protección puede ayudarlo a ahorrar tiempo y dinero.

El Acuerdo Maestro de Protección también lo ayuda a extender la vida útil de su nuevo producto. El Acuerdo\* incluye los siguientes puntos:

- **Piezas y mano de obra** requeridos para mantener los productos en buen funcionamiento **bajo un uso normal**, no sólo defectos. Nuestra cobertura va **mucho más allá de la garantía del producto**. Sin deducibles ni fallas funcionales excluidas de la cobertura—**una protección real**.
- **Servicio experto** mediante un grupo de más de 10.000 **técnicos autorizados de Sears**, lo que significa que alguien en quien confía va a trabajar en su producto.
- **Visitas a su domicilio ilimitadas y servicio en todo el país**, todas las veces que nos necesite, cuando nos necesite.
- **Garantía por defectos de fabricación**—reemplazo de su producto si se producen cuatro o más fallas dentro de los doce meses.
- **Reemplazo del producto** si éste no puede repararse.
- **Control de mantenimiento preventivo anual** a pedido, sin cargos extra.
- **Ayuda rápida por teléfono**—Lo llamamos “**resolución rápida**”. Soporte telefónico de un representante de Sears sobre todos los productos. Piense en nosotros como un “manual de usuario que habla.”
- **Protección de picos de tensión** contra daños eléctricos debido a fluctuaciones de la energía.
- **Protección anual de \$250 por pérdida de comida** que se haya producido como resultado una falla mecánica de cualquier refrigerador o freezer cubierto.
- **Reintegro por alquiler** si la reparación de su producto tarda más de lo prometido.
- **10% descuento** del precio normal de cualquier servicio de reparación no cubierto y de piezas relacionadas instaladas.

Una vez que adquiera el Acuerdo, sólo tiene que hacer un llamado telefónico para programar el servicio. Puede llamar en cualquier momento de día o de noche, o coordinar un servicio técnico online.

El Acuerdo Maestro de Protección es una compra libre de riesgo. Si usted lo cancela por cualquier razón durante el período de garantía del producto, le devolveremos la totalidad del dinero, o una devolución prorrateada en cualquier momento después de que expire el período de garantía. ¡Adquiera hoy su Acuerdo Maestro de Protección!

**Se aplican algunas limitaciones y exclusiones.**

**Para consultar precios e información adicional en los EE.UU., llame al 1-800-827-6655.**

**\*La cobertura en Canadá varía en algunos ítems. Para más detalles, llame a Sears Canadá a 1-800-361-6665.**

**Servicio de Instalación Sears**

Para la instalación profesional Sears de electrodomésticos, dispositivos para apertura de puertas de garajes, calentadores de agua y otros ítems domésticos importantes, en los EE.UU. o Canadá, llame al 1-800-4-MY-HOME®.

## MENSAJES DE SEGURIDAD

En este manual y en su electrodoméstico figuran muchos mensajes importantes de seguridad. Lea y cumpla siempre con todos los mensajes de seguridad.



Éste es el símbolo de alerta de seguridad.

Este símbolo lo alerta sobre posibles riesgos que pueden resultar en daños sobre la propiedad y/o lesiones físicas graves o la muerte.

Todos los mensajes de seguridad estarán a continuación del símbolo de alerta de seguridad y con la palabra PELIGRO o ADVERTENCIA. Estas palabras significan:

### PELIGRO

Si no se siguen estas instrucciones de seguridad se pueden producir daños sobre la propiedad y/o lesiones graves o la muerte.

### ADVERTENCIA

Si no se siguen estas instrucciones de seguridad se pueden producir daños sobre la propiedad y/o lesiones graves o la muerte.

Todos los mensajes de seguridad le indicarán cuál es el riesgo potencial, le dirán cómo reducir las posibilidades de sufrir heridas y qué puede suceder si no se siguen las instrucciones.

## INSTRUCCIONES IMPORTANTE DE SEGURIDAD

### ADVERTENCIA

#### LEA TODAS LAS INSTRUCCIONES ANTES DE USAR

Para su seguridad, la información de este manual debe seguirse al pie de la letra a fin de minimizar el riesgo de incendio o explosión, descarga eléctrica, o para prevenir daños, lesiones personales o la muerte.

Para minimizar el riesgo de incendio o explosión, descarga eléctrica, o para prevenir lesiones personales cuando use electrodomésticos, se deben seguir precauciones básicas de seguridad, incluyendo las siguientes:

- Lea todas las instrucciones antes de usar la secadora.
- Antes de usar, la secadora debe estar correctamente instalada como se describe en este manual.
- No seque artículos que hayan sido limpiados, lavados, remojados o salpicados previamente con gasolina, disolventes de limpieza en seco u otras substancias inflamables o explosivas, ya que emanan vapores que podrían encenderse o explotar, incluso después del lavado.
- No coloque artículos que hayan sido expuestos a aceites, incluyendo aceites comestibles, en su secadora. Los artículos contaminados con aceites comestibles podrían contribuir a la generación de una reacción química que podría ocasionar que una carga se incendie.
- No introduzca las manos en la secadora cuando el tambor o las otras partes estén en movimiento.
- No repare o reemplace ninguna parte de la secadora ni intente reparar la misma a menos que esto se recomiende en forma específica en esta Guía de Uso y Cuidado o en instrucciones de reparación publicadas las cuales comprende y sabe aplicar.
- No altere los controles.
- Antes de que la secadora quede fuera de uso, retire la puerta del compartimiento de secado.
- No deje que los niños jueguen en la secadora ni dentro de ella. Cuando se usa la secadora cerca de los niños, se necesita una supervisión estricta.
- Use suavizadores de tela o productos para eliminar estática únicamente del modo recomendado por el fabricante.
- No use calor para secar artículos que contienen caucho espumoso o materiales de textura similar al caucho.
- Evite la acumulación de pelusa, polvo o tierra alrededor del área de la apertura de ventilación y áreas adyacentes.
- La parte interior de la secadora y el conducto de ventilación se deberán limpiar periódicamente, y la misma deberá ser realizada por personal calificado del servicio.
- No instale ni coloque esta secadora en lugares donde pueda estar expuesta a variables climáticas.
- Antes de cargar la secadora, siempre revise que no haya objetos extraños en su interior.
- Retire la pelusa del filtro antes o después de cada carga.

## INSTRUCCIONES IMPORTANTE DE SEGURIDAD

### ⚠ ADVERTENCIA

Por su seguridad, se debe seguir la información indicada en este manual para minimizar el riesgo de incendio o explosión, descarga eléctrica, o para prevenir daños a la propiedad, lesiones personales o muerte.

- No almacene o use gasolina ni ningún otro tipo de vapores o líquidos inflamables cerca de este electrodoméstico ni de ningún otro electrodoméstico.
- Únicamente un técnico calificado de mantenimiento, agencia de mantenimiento o compañía de gas deberán realizar el mantenimiento y la instalación.

#### QUÉ HACER SI HUELE GAS:

1. No intente encender un cigarrillo o fósforo, ni encender ningún electrodoméstico a gas o eléctrico.
2. No toque ningún interruptor eléctrico. No use ningún teléfono en su edificio.
3. No permita que ninguna persona se encuentre en la habitación, edificio o área.
4. Llame a su compañía de gas inmediatamente desde el teléfono de un vecino. Siga las instrucciones de su compañía de gas al pie de la letra.
5. Si no puede comunicarse con su compañía de gas, llame al departamento de bomberos.

### LEY EJECUTIVA PARA LA SEGURIDAD DEL AGUA POTABLE Y LOS TÓXICOS DE CALIFORNIA (CALIFORNIA SAFE DRINKING WATER AND TOXIC ENFORCEMENT ACT)

Esta ley requiere que el gobernador de California publique un listado de sustancias conocidas en el estado que causan cáncer, defectos congénitos u otras lesiones reproductivas, y obliga a los negocios a alertar a los clientes sobre la posible exposición a tales sustancias.

Los electrodomésticos a gas pueden causar exposición leve a cuatro de estas sustancias, principalmente benceno, monóxido de carbono, formaldehído y hollín, generado principalmente por la combustión parcial del gas natural o los combustibles LP (petróleo líquido).

Las secadoras calibradas adecuadamente minimizarán la combustión parcial. Para minimizar incluso más la exposición a estas sustancias, se puede dotar a la secadora de la ventilación adecuada al exterior.

### ⚠ ADVERTENCIA

Para reducir el riesgo de incendio, descargas eléctricas o heridas al usar su electrodoméstico, siga las precauciones básicas, incluyendo lo siguiente:

- **Conecte la secadora adecuadamente a tierra según todos los códigos y las regulaciones vigentes.** Siga los detalles en las instrucciones de instalación. Si la secadora no se encuentra adecuadamente conectada a tierra se pueden producir descargas eléctricas.
- **Antes de usar, la secadora debe estar correctamente instalada como se describe en este manual.** Si la secadora no se encuentra adecuadamente conectada a tierra se pueden producir descargas eléctricas.
- **Instale y almacene la secadora en un lugar no expuesto a temperaturas inferiores al punto de congelación ni expuesto a la intemperie.**
- **Todas las reparaciones y controles deberán ser realizados por un centro de servicio autorizado a menos que se den otras recomendaciones específicas en el Manual del Usuario. Utilice sólo piezas de fábrica autorizadas.** Si no se cumple con esta advertencia se podrán producir heridas graves, incendios, descargas eléctricas o muerte.
- **Con el fin de reducir el riesgo de descargas eléctricas, no instale la secadora en espacios húmedos.** Si no se cumple con esta advertencia se podrán producir heridas graves, incendios, descargas eléctricas o muerte.
- **Conecte un circuito eléctrico clasificado, protegido y adecuado para evitar sobrecarga eléctrica.** Un circuito eléctrico inadecuado se puede fundir, creando descargas eléctricas y/o riesgo de incendio.
- **Quite todos los elementos de embalaje y deseche adecuadamente todos los materiales de envío.** Si no se cumple con esto se podrá producir una explosión, incendio, quemaduras o muerte.
- **Coloque la secadora a un altura mínima de 18 pulgadas encima del piso para una instalación en el garaje.** Si no se cumple con esto se podrá producir una explosión, incendio, quemaduras o muerte.
- **Mantenga todos los envoltorios alejados de los niños.** Los materiales de los envoltorios pueden resultar peligrosos para los niños. Existe riesgo de asfixia.

## INSTRUCCIONES IMPORTANTE DE SEGURIDAD

### ⚠ ADVERTENCIA

#### INSTRUCCIONES IMPORTANTE PARA LA INSTALACIÓN

##### Conducto de escape/Tubería:

- **Conducto de escape/Tubería.** Si no se siguen estas instrucciones se podrá producir incendio o muerte.
- **El sistema de ventilación de la secadora debe tener un conducto de ventilación al exterior de la habitación. Si la secadora no tiene un conducto de ventilación al exterior, pelusa fina y grandes cantidades de humedad ingresará en la área de lavado.** La acumulación de pelusa en cualquier parte de la casa puede crear riesgos de salud e incendio.
- **Use únicamente sistemas de ventilación de metal rígido o flexible de 4 pulgadas de diámetro dentro del gabinete de la secadora o para ventilación al exterior. Los sistemas de ventilación de plástico u otro material pueden causar incendios.** Los sistemas de ventilación agujereados pueden causar incendios si se colapsan o bloquean durante el uso o la instalación.
- **No se provee el sistema de ventilación con la secadora; el mismo deberá obtenerse localmente. La tapa terminal deberá tener reguladores de tiro con bisagras para prevenir el retorno de descarga cuando no se usa la secadora.** Si no se siguen estas instrucciones se podrá producir incendio o muerte.
- **El conducto de escape deberá tener 10 cm (4 pulg.) de diámetro sin obstrucciones. El conducto de escape deberá mantenerse lo más corto posible. Asegúrese de limpiar cualquier tipo de conducto antiguo antes de instalar su secadora nueva.** Si no se siguen estas instrucciones se podrá producir incendio o muerte.
- **Se recomiendan conductos rígidos o semirígidos para usar entre la secadora y la pared. En instalaciones particulares cuando es imposible realizar una conexión siguiendo las recomendaciones antes indicadas, únicamente se puede utilizar un conducto metálico de transición aprobado por UL entre la secadora y la conexión de pared. Usar este tipo de conducto afectará el tiempo de secado.** Si no se siguen estas instrucciones se podrá producir incendio o muerte.
- **NO utilice tornillos de lámina de metal ni otro tipo de aseguradores que extiendan dentro del conducto y puedan atrapar pelusa y reducir la eficiencia del sistema de escape.** Asegure todas las uniones con cinta adhesiva impermeable. Para más detalles, siga las Instrucciones de Instalación. Si no se siguen estas instrucciones se podrá producir incendio o muerte.

### ⚠ ADVERTENCIA

#### INSTRUCCIONES IMPORTANTE PARA CONECTAR LA ELECTRICIDAD

Para reducir el riesgo de incendio, descargas eléctricas o heridas al usar su electrodoméstico, siga las precauciones básicas, incluyendo lo siguiente:

- **Bajo ninguna circunstancia, corte o quite la tercera pata (puesta a tierra) del cable eléctrico.** Para evitar heridas a nivel personal o daños sobre la secadora, el cable de corriente eléctrica debe estar conectado en una conexión a tierra en condiciones adecuadas.
- **Por motivos de seguridad personal, este electrodoméstico debe estar conectado a tierra adecuadamente.** Si esto no se cumple se podrán producir descargas eléctricas o heridas.
- **Consulte las instrucciones de instalación de este manual para obtener los requisitos eléctricos específicos de su modelo.** Si estas instrucciones no se cumplen se podrán producir descargas eléctricas y/o riesgo de incendio.
- **La secadora deberá estar conectada a un enchufe adecuadamente conectado a tierra. Si la secadora no se encuentra adecuadamente conectada a tierra se pueden producir descargas eléctricas. Contrate a un electricista calificado para que controle el tomacorriente y el circuito eléctrico para asegurar que el enchufe esté correctamente conectado a tierra.** Si estas instrucciones no se cumplen se podrán producir descargas eléctricas y/o riesgo de incendio.
- **La secadora siempre debe estar enchufada a su tomacorriente individual, con la clasificación de tensión correspondiente a la placa de datos de servicio.** Esto proporciona el mejor desempeño y previene a la vez sobrecarga de los circuitos de cableado del hogar, lo que podría producir un incendio debido a los cables sobrecalentados.
- **Nunca desenchufe su secadora empujando el cable de corriente. Siempre tome su enchufe firmemente y empuje el mismo hacia fuera para retirarlo.** El cable de corriente se puede cortar debido a cualquier movimiento de su parte central, resultando en una descarga eléctrica.
- **Repáre o reemplace de inmediato todos los cables de corriente pelados o con cualquier tipo de daño. No use un cable con cortaduras o abrasión sobre su extensión o extremos.** Este cable de corriente se puede fundir, creando descargas eléctricas y/o riesgo de incendio.
- **Al instalar o cambiar de lugar la secadora, evite todo tipo de cortes u otros daños en el cable de corriente.** Esto evitará heridas o daños debido a incendios o descargas eléctricas sobre la secadora.

## INSTRUCCIONES IMPORTANTE DE SEGURIDAD

### INSTRUCCIONES DE CONEXIÓN A TIERRA

#### ADVERTENCIA

Por su seguridad, se debe seguir la información indicada en este manual para minimizar el riesgo de incendio o explosión, descarga eléctrica, o para prevenir daños a la propiedad, lesiones personales o muerte.

Este electrodoméstico deberá estar conectado a tierra. En caso de avería o mal funcionamiento, la conexión a tierra reducirá el riesgo de descargas eléctricas al brindar un camino con una resistencia menor para la corriente eléctrica. Este electrodoméstico debe estar equipado con un cable con un conductor para la conexión a tierra del equipo y un enchufe con conexión a tierra. El enchufe deberá estar conectado a una toma de corriente instalada en forma adecuada y con conexión a tierra de acuerdo con todos los códigos y ordenanzas locales.

Una conexión inapropiada del conductor de conexión a tierra del equipo puede provocar riesgos de descargas eléctricas. Consulte a un electricista calificado o personal del servicio si tiene dudas de que el electrodoméstico se encuentre conectado a tierra apropiadamente.

No modifique el enchufe que se entrega con el electrodoméstico. Si no coincide con la toma de corriente, contrate a un electricista calificado para que instale una toma de corriente en forma adecuada.

Este electrodoméstico debe estar conectado a un sistema de cableado de metal permanente con conexión a tierra o se debe tender un conducto para la conexión a tierra del equipo con los conductores del circuito y conectado al terminal de tierra del equipo o al conductor de suministro del electrodoméstico.

Si la secadora no se encuentra adecuadamente conectada a tierra, se pueden producir descargas eléctricas.

### REQUISITOS ESPECIALES PARA VIVIENDAS MÓVILES O PREFABRICADAS

#### ADVERTENCIA

Para reducir el riesgo de incendio, descarga eléctrica o lesiones a personas cuando utilice este artefacto, deben seguirse precauciones básicas de seguridad, incluyendo las siguientes:

- Cualquier instalación en una vivienda móvil o prefabricada debe realizarse de conformidad con los Estándares de seguridad y construcción de viviendas prefabricadas, Título 24 CFR, Parte 32-80 o estándar CAN/CSA0Z240 MH y con los códigos y regulaciones locales. Si no está seguro de si la instalación que ha propuesto cumple con estos estándares, llame a un técnico de mantenimiento e instalación para obtener ayuda.
- Una secadora de gas debería fijarse permanentemente sobre el piso.
- **Desde el 1 de enero de 1996, se requiere una conexión de 4 hilos en todas las instalaciones de casas prefabricadas o rodantes, como en las construcciones nuevas. Debe utilizarse una conexión de 4 hilos donde los códigos locales no permiten la conexión a tierra a través del cable neutral. No hacerlo puede provocar un incendio, una explosión o la muerte.**
- Para reducir el riesgo de combustión e incendio, se debe ventilar la secadora hacia el exterior.
- NO ventile la secadora debajo de una vivienda móvil o prefabricada.
- Las secadoras eléctricas deben ventilarse hacia el exterior usando el panel trasero, izquierdo, derecho o inferior.
- Las secadoras a gas deben ventilarse al exterior usando el panel trasero, izquierdo o inferior. Las secadoras a gas no deben ventilarse hacia el exterior usando el panel derecho debido a la carcasa del quemador.
- El conducto de escape de la secadora debe estar bien fijado a la estructura de la vivienda móvil o prefabricada, y el conducto de escape debe estar fabricado de un material resistente al fuego y la combustión. Se recomienda el uso de un conducto de metal rígido o flexible.
- NO conecte el conducto de escape de la secadora a ningún otro conducto, respiradero, chimenea ni a ningún otro tipo de conducto de escape.
- Asegúrese de que la secadora disponga de acceso adecuado al aire fresco del exterior para garantizar un funcionamiento adecuado. La abertura para la toma de aire fresco exterior debe ser de por lo menos 25 pulgadas<sup>2</sup> (163 cm<sup>2</sup>).
- Es importante que el espacio libre del conducto con respecto a cualquier material combustible de construcción sea de por lo menos 2 pulgadas (5 cm) y que, cuando se ventile la secadora al exterior, se pueda instalar la secadora dejando un espacio libre de 1 pulgadas (2,5 cm) a los lados y la parte trasera de la secadora.
- Tenga en cuenta que los materiales de ventilación no se proveen con la secadora. Debe obtener los materiales de ventilación necesarios para una instalación adecuada.

## GUARDE ESTAS INSTRUCCIONES

# CARACTERÍSTICAS Y BENEFICIOS

## PIEZAS Y COMPONENTS CLAVE

Hay varios componentes importantes adicionales a los cuales se hace referencia en este manual.

### **A** PANEL DE CONTROL FÁCIL PARA USAR

Gire la perilla selectora de ciclos al ciclo de secado deseado. Añada los ajustes de ciclo o programe las opciones con el toque de un botón. Presione la perilla selectora de ciclo para iniciar el ciclo de secado seleccionado.

### **B** PANTALLA DE TIEMPO Y ESTADO

La pantalla LED de fácil lectura muestra las opciones e información de ciclo e brinda el estado del ciclo durante la operación.

### **C** VERIFICAR VENTILACIÓN (Sistema Sensor de Bloqueo de Conducto)

La verificación de ventilación (sistema sensor de bloqueo de conducto) detecta bloqueos en el sistema de salida que reducen la corriente de aire desde la secadora y lo alerta sobre los mismos. Mantener limpios los conductos del sistema de salida mejora la eficiencia de operación y ayuda a reducir las visitas para efectuar reparaciones, lo que ahorra dinero.

### **D** TAMBOR DE ACERO INOXIDABLE DE CAPACIDAD SUPERIOR ILUMINADO

El tambor de acero inoxidable de gran capacidad ofrece durabilidad superior. El tambor está equipado con una luz amarilla que se ilumina al abrir la puerta de la secadora y se apaga cuando se cierra.

### **E** PUERTA REVERSIBLE DE FÁCIL ACCESO

La puerta de vidrio transparente y de amplia apertura ofrece acceso para carga y descarga. Se puede invertir el sentido de la puerta para adaptarlo al lugar de la instalación.

### **F** FILTRO DE PELUSA MONTADO AL FRENTE

El filtro de pelusa montado al frente permite un fácil acceso y limpieza entre cargas.

### **G** PATAS NIVELADORAS

Cuatro patas niveladoras (dos en la parte frontal y dos en la trasera) ajustables para mejorar la estabilidad de la secadora en pisos desnivelados.

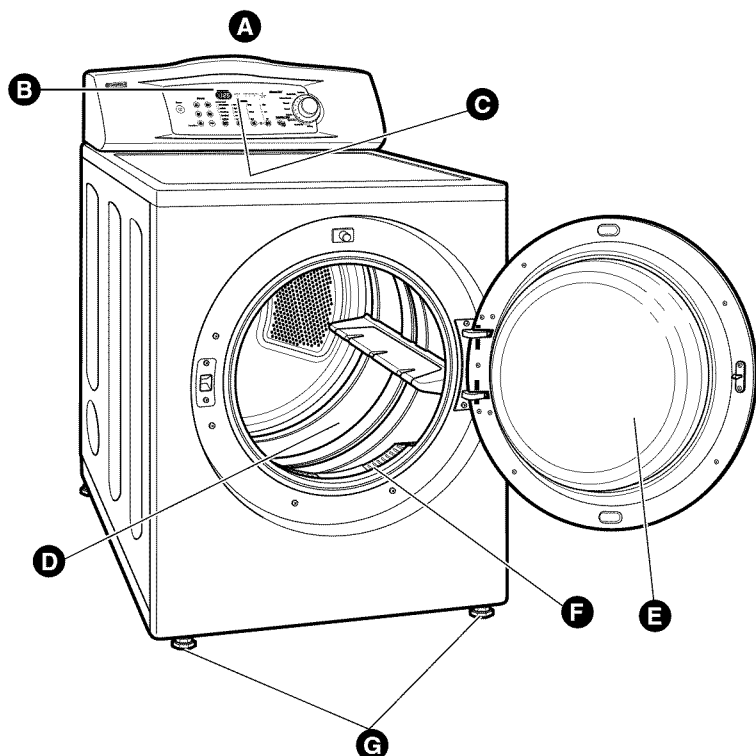
### **H** SECADO EN BANDEJA (Accesorio Incluido)

Use el estante de secado con la opción de ciclo RACK DRY (secado en estante) El estante de secado permite colocar los artículos como sacos, prendas delicadas, calzado deportivo, en una posición horizontal para secarlos.

Para aplicaciones especiales de instalación, los siguientes kits están disponibles. Para solicitar información, visite [www.searspartsdirect.com](http://www.searspartsdirect.com), o llame al 1-800-4-MY-HOME®.

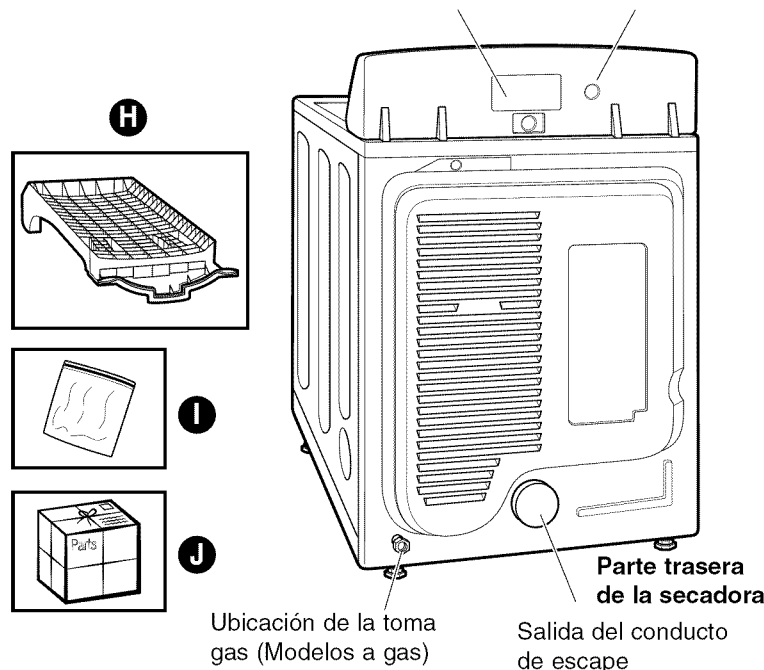
### **I** KIT DE CONVERSIÓN DE GAS LP (P/N 383EEL3002A)

Este kit de conversión de gas LP contiene todas las piezas requeridas para cambiar las conexiones de gas de la secadora de Gas Natural (NG) a Gas Propano Licuado (LP).



Panel de acceso del bloque terminal (Modelos eléctricos)

Ubicación del cable eléctrico (Modelos a gas)



### **J** KIT DE VENTILACIÓN LATERAL (P/N 383EEL9001B)

El kit de ventilación lateral contiene las piezas necesarias para cambiar la ventilación trasera de la secadora a una lateral.

# INSTRUCCIONES PARA LA INSTALACIÓN

## DIMENSIONES Y ESPECIFICACIONES CLAVES

|                        |  |
|------------------------|--|
| Descripción            | Secadora (gas y eléctrica)   |
| Requisitos Eléctricos  | Consulte la etiqueta de clasificación.   |
| Requisitos de Gas* NG: | 6–8 pulg. CA   |
| Requisitos de Gas* LP: | 10–13 pulg. CA   |
| Dimensiones            | 27"(A) X 30"(P) X 38"11/16" (A), 50"(P con la puerta abierta)<br>68,6 cm (A) X 76,1 cm (P) X 98,3 cm (A), 127 cm (P con la puerta abierta) |
| Peso Neto              | 126 lb. (57,2 kg)  |
| Capacidad de Secado    | IEC 7,3 pies cúbicos (22.5 lbs./10,2 kg)   |

\*Sólo Modelos a Gas.

## REQUISITOS DE UBICACIÓN

### ¡IMPORTANTE:

¡Lea todas las instrucciones de instalación completamente antes de instalar y hacer funcionar su secadora!

Es importante que revise todo este manual antes de instalar y usar su secadora. Se proporcionan instrucciones detalladas pertinentes a las conexiones eléctricas, de gas y los requisitos de escape en las siguientes páginas.

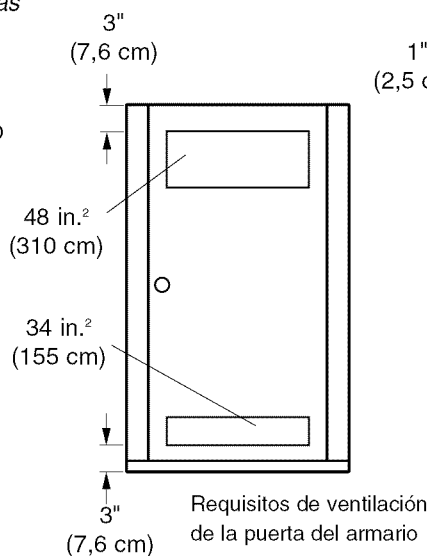
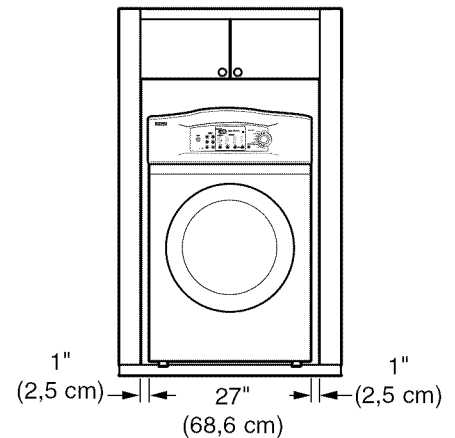
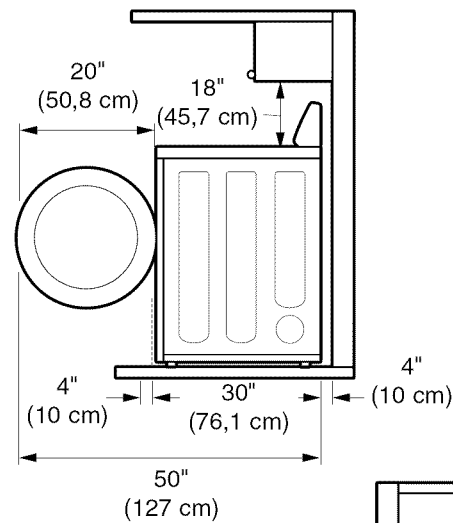
### ESCOJA EL LUGAR ADECUADO

- Almacene e instale la secadora en un lugar no expuesto a temperaturas inferiores a las de congelación ni a la intemperie.
- Escoja una ubicación con un piso rígido y nivelado.
- Si va a instalar la secadora en el garaje, colóquela a una altura mínima de 18 pulgadas (46 cm) por encima del piso.
- Conecte la secadora adecuadamente a tierra según todos los códigos y las regulaciones vigentes.
- Para reducir el riesgo de descarga eléctrica, no instale la secadora en sitios húmedos ni mojados.

**¡IMPORTANTE:** Si instala la secadora en una vivienda móvil o prefabricada, por favor consulte la sección de *Requisitos especiales para viviendas móviles o prefabricadas* en la página 35.

### ESPACIOS DE INSTALACIÓN

- La mayoría de instalaciones requieren un espacio mínimo de 5 1/2 pulgadas (14 cm) detrás de la secadora para la instalación del conducto de escape.
- Deje espacios mínimos de por lo menos 1 pulgada (2,5 cm) a los lados y parte trasera para minimizar la vibración y el ruido.
- Se recomienda disponer de espacio adicional para la instalación y el mantenimiento.
- No olvidar prever espacio para las molduras de pared, puerta o piso que podrían aumentar los espacios de instalación requeridos.
- Deje por lo menos 21 pulgadas (53,3 cm) al frente de la secadora para abrir la puerta.



### Instrucciones adicionales para las instalaciones en armarios:

- La puerta del closet debe permitir una corriente de aire suficiente. Consulte el diagrama de la izquierda para requerimientos mínimos de abertura de la ventilación. También se permite una puerta con persianas.
- Asegúrese que se dispone de por lo menos 18 pulgadas (46 cm) de espacio de instalación sobre la secadora.

# INSTRUCCIONES PARA LA INSTALACIÓN

## REQUERIMIENTOS DE GAS (SÓLO MODELOS DE GAS)

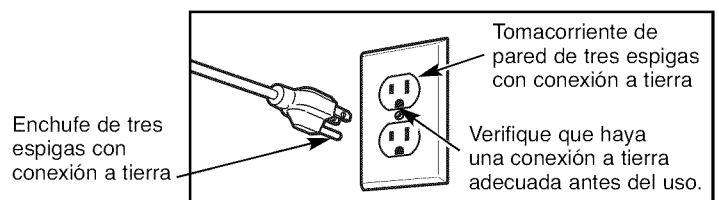
### CONEXIÓN DE SECADORAS A GAS

**⚠ ADVERTENCIA:** Para reducir el riesgo de incendio, descargas eléctricas o heridas al usar su electrodoméstico, siga las precauciones básicas, incluyendo lo siguiente:

- **Requisitos de suministro de gas:**  
Como enviado de fábrica, si configura la secadora para uso con NG (gas natural). Puede convertirse para usar con gas LP (propano líquido). La presión de gas no debe sobrepasar la columna de agua de 8 pulgadas NG, o la columna de agua 13 pulgadas LP.
- Un técnico calificado de mantenimiento o de la compañía de gas debe conectar la secadora al suministro de gas. Si no se cumple con esto se podrá producir una explosión, incendio o muerte.
- Aísle la secadora del sistema de suministro de gas cerrando su válvula de corte individual manual durante cualquier tipo de prueba de presión del suministro de gas. Si no se cumple con esto se podrá producir una explosión, incendio o muerte.
- **Requisitos de la línea de suministro:**  
Su cuarto de lavado debe tener una línea rígida de suministro de gas para la secadora. En los EE. UU., se debe instalar una válvula de corte manual individual a una distancia de máxima de 6 pies (1,8 m) de la secadora, de acuerdo con el Código Nacional de Gas Combustible ANSI Z223.1. Se debe instalar un tapón de tubería de 1/8 pulgadas NPT. Si no se cumple con esto se podrá producir una explosión, incendio o muerte.
- Si se usa tubería rígida, la tubería rígida deberá ser de 1/2 pulgadas IPS. Si es aceptable según los códigos y las regulaciones locales, y cuando sea aceptable según su compañía proveedora de gas, se puede usar tubería de 3/8 pulgadas aprobada, cuando las longitudes sean menores de 20 pies (6,1 m). Se debe usar tubería más larga en caso de longitudes que exceden los 20 pies (6,1 m). Si no se cumple con esto se podrá producir una explosión, incendio o muerte.
- Conecte la secadora al tipo de gas indicado en la placa del nombre. Si no se cumple con esto se podrá producir una explosión, incendio o muerte.
- Para prevenir la contaminación de la válvula de gas, elimine el aire y sedimento del suministro de gas antes de conectar el suministro de gas a la secadora. Antes de ajustar la conexión entre el suministro de gas y la secadora, purgue el aire hasta que se detecte olor a gas. Si no se cumple con esto se podrá producir una explosión, incendio o muerte.
- NO use una llama abierta para inspeccionar las fugas de gas. Use un fluido anticorrosivo para detección de fugas. Si no se cumple con esto se podrá producir una explosión, incendio o muerte.
- Utilice únicamente una línea de suministro de gas nueva certificada por AGA o CSA, con conectores flexibles de acero inoxidable. Si no se cumple con esto se podrá producir una explosión, incendio o muerte.
- Ajuste bien todas las conexiones de gas. Si no se cumple con esto se podrá producir una explosión, incendio o muerte.
- Use cinta de Teflon® o un compuesto para conexiones de tubería insoluble en gas de petróleo líquido (LP) en todas las roscas de tubería. Si no se cumple con esto se podrá producir una explosión, incendio o muerte.
- NO intente desmontar ningún componente de la secadora; cualquier desmontaje requiere de la atención y herramientas de un técnico o compañía de mantenimiento autorizado y calificado. Si no se cumple con esto se podrá producir una explosión, incendio o muerte.

### Requisitos eléctricos para modelos a gas únicamente

- Bajo ninguna circunstancia, corte o quite la tercera pata (puesta a tierra) del cable eléctrico. Si no se cumple con esto se podrá producir una explosión, incendio o muerte.
- Por motivos de seguridad personal, la secadora debe estar conectada a tierra adecuadamente. Si no se cumple con esto se podrá producir una explosión, incendio o muerte.
- El cable eléctrico de esta secadora está equipado con un enchufe de 3 patas (conexión a tierra) que se conecta a un tomacorriente de pared de tres patas (con conexión a tierra) para minimizar la posibilidad de peligro de descarga eléctrica de este electrodoméstico. Si no se cumple con esto se podrá producir una explosión, incendio o muerte.
- Se debe enchufar esta secadora a un tomacorriente conectado a tierra de 120 V CA, 60 Hz protegido por un fusible o cortacircuitos de 15 amperios. Si no se cumple con esto se podrá producir una explosión, incendio o muerte.
- En caso de disponer de un tomacorriente de pared estándar de 2 patas, debe cambiarlo por uno de 3 patas conectado a tierra adecuadamente. Si no se cumple con esto se podrá producir una explosión, incendio o muerte.



# INSTRUCCIONES PARA LA INSTALACIÓN

## CONEXIÓN DE SECADORAS AGAS (cont.)

**⚠ ADVERTENCIA:** Para reducir el riesgo de incendio, descargas eléctricas o heridas al usar su electrodoméstico, siga las precauciones básicas, incluyendo lo siguiente:

- **La instalación y el mantenimiento deben proveerse por un instalador calificado, agencia de mantenimiento o compañía de gas.** Si no se cumple con esto se podrá producir una explosión, incendio o muerte.
- **Use únicamente un conector de acero inoxidable nuevo y un conector certificado por AGA nuevo.** Si no se cumple con esto se podrá producir una explosión, incendio o muerte.
- **Se debe instalar una válvula de corte de gas a una distancia máxima de 6 pies (1,8 m) de la secadora.** Si no se cumple con esto se podrá producir una explosión, incendio o muerte.

- **La secadora está configurada para gas natural cuando se envía de fábrica. Asegúrese de que la secadora está equipada con la boquilla de quemador correcta para el tipo de gas que se usará (gas natural o petróleo líquido, LP).** Si no se cumple con esto se podrá producir una explosión, incendio o muerte.
- **De ser necesario, un técnico calificado debe instalar la boquilla correcta (para el kit de boquilla LP, ordene la pieza de pedido Núm. 4948EL4002B) y se debe anotar el cambio en la secadora.** Si no se cumple con esto se podrá producir una explosión, incendio o muerte.
- **Se deben realizar todas las conexiones según los códigos y las regulaciones locales.** Si no se cumple con esto se podrá producir una explosión, incendio o muerte.
- **Las secadoras de gas DEBEN ventilar hacia el exterior.** Si no se cumple con esto se podrá producir una explosión, incendio o muerte.

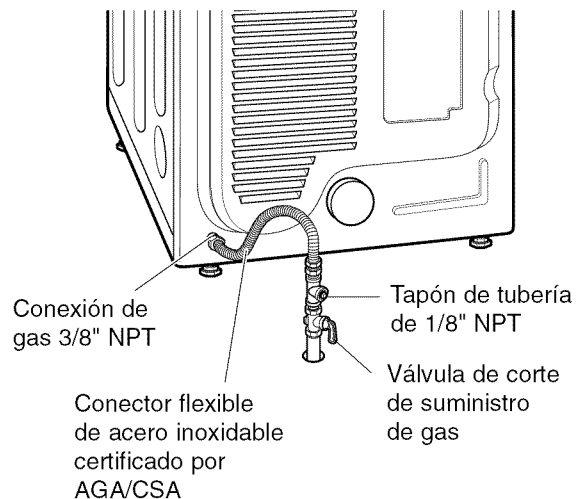
### Conexión del suministro de gas

**NOTA:** Esta secadora se encuentra configurada de fábrica para funcionar con Gas Natural (NG). Si la secadora va a utilizarse con las LP, un técnico calificado debe realizar la conversión.

1. Verifique que el suministro de gas del cuarto de lavandería esté apagado y que la secadora se encuentre desenchufada. Confirme que el tipo de gas disponible en su cuarto de lavandería sea el apropiado para la secadora.
2. Quite la tapa de envío de la conexión de gas localizada de la parte trasera de la secadora. Asegúrese de no dañar la rosca del conector de gas al quitar la tapa de envío.
3. Conecte la secadora al suministro de gas de su cuarto de lavado usando un conector de acero inoxidable flexible nuevo con una conexión de 3/8 pulgadas NPT.

**NOTE:** DO NOT use old connectors.

4. Sujete bien todas las conexiones entre la secadora y el suministro de gas del cuarto de lavandería.
5. Encienda el suministro de gas del cuarto de lavandería.
6. Verifique todas las conexiones de las tuberías (internas y externas) en busca de pérdidas de gas con un fluido de detección de pérdidas no corrosivo.
7. Continúe con los requerimientos de ventilación de la página 42.



### Instalaciones en lugares de gran altitud

La clasificación BTU para esta secadora es certificación AGA para elevaciones por debajo de los 10,000 pies.

Si va a instalar su secadora a más de 10,000 pies, debe ser desclasificada por un técnico calificado o compañía de gas.

## REQUERIMIENTOS ELÉCTRICOS

### CÓMO CONECTAR LAS SECADORAS ELÉCTRICAS

**⚠️ ADVERTENCIA:** Para ayudar a evitar incendios, descargas eléctricas, heridas graves o muerte, el cableado e instalación a tierra deben cumplir con la última edición del Código Eléctrico Nacional, ANSI/NFPA 70 y todas las regulaciones locales aplicables. Por favor comuníquese con un electricista calificado para que controle el cableado y los fusibles y así asegurar que su casa posee energía eléctrica adecuada para operar la secadora.

### *Requisitos eléctricos especiales para viviendas móviles o prefabricadas*

**⚠️ ADVERTENCIA:** Para reducir el riesgo de incendio, descargas eléctricas o heridas al usar su electrodoméstico, siga las precauciones básicas, incluyendo lo siguiente:

- Cualquier instalación en una vivienda móvil o prefabricada debe realizarse de conformidad con los Estándares de seguridad y construcción de viviendas prefabricadas, Título 24 CFR, Parte 32-80 o estándar CAN/CSA0Z240 MH y con los códigos y regulaciones locales.
- **Se requiere una conexión de 4 hilos en todas las instalaciones de viviendas móviles y prefabricadas, así como en todas las construcciones nuevas posteriores al 1 de enero de 1996.** Si no se cumple con esto se podrá producir una explosión, incendio o muerte.

### *Requisitos eléctricos únicamente para modelos eléctricos*

**⚠️ ADVERTENCIA:** Para reducir el riesgo de incendio, descargas eléctricas o heridas al usar su electrodoméstico, siga las precauciones básicas, incluyendo lo siguiente:

- **Esta secadora debe estar conectada a un sistema de cableado metálico permanente conectado a tierra, o se debe tender un conductor de conexión a tierra de equipo con los conductores de circuito y conectado a la terminal de conexión a tierra del equipo o conductor de la secadora.** Si no se cumple con esto se podrá producir una explosión, incendio o muerte.
- **La secadora tiene su propio bloque terminal, el cual debe conectarse a un circuito de una sola fase de 240 V CA, de 60 Hz, protegido con fusible de 30 amperios (el circuito debe tener protección de fusible a ambos terminales de la línea). EL SUMINISTRO ELÉCTRICO DE LA SECADORA DEBERÁ SER DE LA MÁXIMA CLASIFICACIÓN DE VOLTAJE LISTADA EN LA PLACA DE CARACTERÍSTICAS. NO CONECTE LA SECADORA A UN CIRCUITO DE 110, 115 Ó 120 VOLTIOS.** Se dispone de elementos de calentamiento para instalación de campo en secadoras que deben conectarse a un suministro eléctrico de voltaje diferente al listado en la placa de datos de servicio. Si no se cumple con esto se podrá producir una explosión, incendio o muerte.
- **Si un circuito de ramal a la secadora es de 15 pies (4,5 m) o menos de longitud, use alambre listado por UL (Underwriters Laboratories) Núm.-10 AWG (únicamente alambre de cobre), o según lo requieran las leyes locales.** Si es más largo de 15 pies (4,50 m), use alambre listado por UL (Underwriters Laboratories) Núm.-8 AWG (únicamente alambre de cobre), o según lo requieran las leyes locales. Disponga de suficiente dotación de cableado, de manera de poder mover la secadora de su ubicación normal cuando sea necesario. Si no se cumple con esto se podrá producir una explosión, incendio o muerte.
- **NO se provee la conexión en espiral del cable eléctrico entre la caja de pared y el bloque terminal de la secadora con la misma. El tipo de conexión en espiral y el calibre del alambre deben seguir los códigos locales y las instrucciones indicadas en las siguientes páginas.** Si no se cumple con esto se podrá producir una explosión, incendio o muerte.
- **Desde el 1 de enero de 1996, se requiere una conexión de 4 hilos en todas las construcciones nuevas. Debe utilizarse una conexión de 4 hilos donde los códigos locales no permiten la conexión a tierra a través del cable neutral.** No hacerlo puede provocar un incendio, una explosión o la muerte.

# INSTRUCCIONES PARA LA INSTALACIÓN

## CÓMO CONECTAR LAS SECADORAS ELÉCTRICAS (cont.)

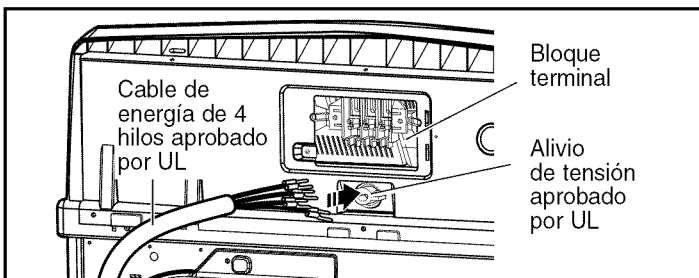
### ⚠ ADVERTENCIA:

- Conecte el cable de energía al bloque terminal. Cada cable de color debe estar conectado a un tornillo del mismo color. El color del cable indicado en el manual se conecta al tornillo del mismo color del bloque. No seguir estas instrucciones puede provocar un cortocircuito o una sobrecarga.

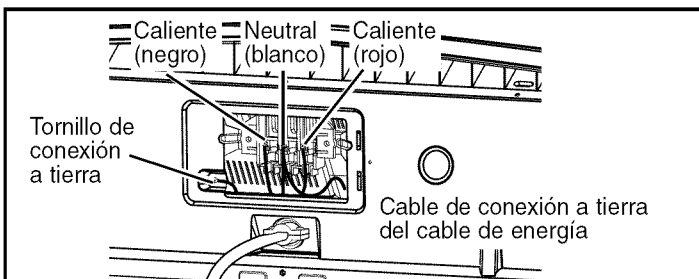
#### Cable de energía de cuatro hilos



- Se requiere una conexión de 4 hilos para todas las instalaciones de casas rodantes y prefabricadas, además de todas las nuevas construcciones a partir del 1 de enero de 1996.
- Se requiere un alivio de tensión aprobado por UL.
- Utilice un **cable de energía aprobado por UL de 30 amperios, 240 V, de 4 hilos con un conductor de cobre #10 AWG mínimo** y con terminales de bucle cerrado o de horquilla con extremos hacia arriba.

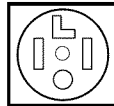


1. Quite la tapa de acceso del bloque terminal de la parte trasera superior de la secadora.
2. Instale un alivio de tensión aprobado por UL en el orificio pasante del cable de energía.
3. Pase un **cable de energía aprobado por UL de 30 amperios, 240 V, de 4 hilos con un conductor de cobre #10 AWG mínimo** a través del alivio de tensión.

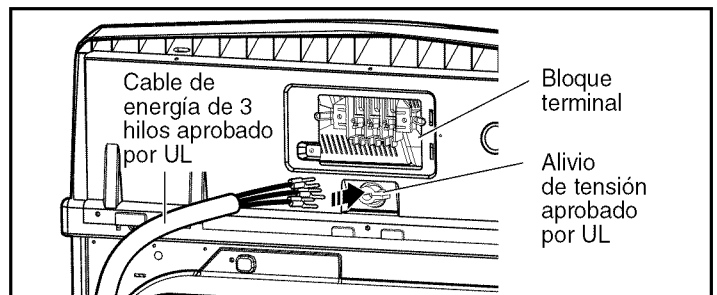


4. Transfiera el cable de conexión a tierra de la secadora desde atrás del tornillo verde a tierra al tornillo central del bloque terminal.
5. Sujete los dos cables calientes del cable de energía a los tornillos exteriores del bloque terminal.
6. Adjunte el cable neutro de color blanco al tornillo central del bloque terminal.
7. Sujete el cable de conexión a tierra del cable de energía al tornillo verde de conexión a tierra.
8. AJUSTE BIEN TODOS LOS TORNILLOS.
9. Vuelva a instalar la tapa de acceso del bloque terminal.

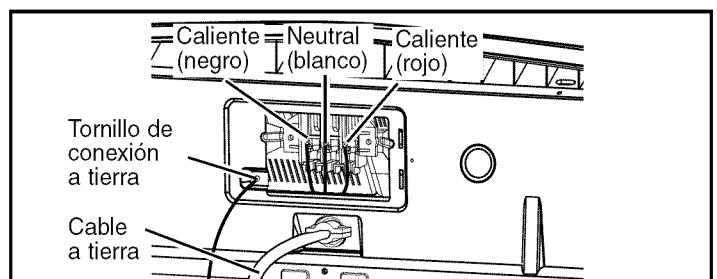
#### Cable de energía de tres hilos



- Se prohíbe una conexión de 3 cables en construcciones nuevas luego del 1 de enero de 1996.
- Se requiere un alivio de tensión aprobado por UL.
- Utilice un **cable de energía aprobado por UL de 30 amperios, 240 V, de 3 hilos con un conductor de cobre #10 AWG mínimo** y con terminales de bucle cerrado o de horquilla con extremos hacia arriba.



1. Quite la tapa de acceso del bloque terminal de la parte trasera superior de la secadora.
2. Instale un alivio de tensión aprobado por UL en el orificio pasante del cable de energía.
3. Pase un **cable de energía aprobado por UL de 30 amperios, 240 V, de 3 hilos con un conductor de cobre #10 AWG mínimo** a través del alivio de tensión.



4. Sujete los dos cables calientes del cable de energía a los tornillos exteriores del bloque terminal.
5. Conecte el cable neutro al tornillo central del bloque terminal.
6. Conecte la conexión a tierra externa (si lo requieren los códigos locales) al tornillo verde de conexión a tierra.
7. AJUSTE BIEN TODOS LOS TORNILLOS.
8. Vuelva a instalar la tapa de acceso del bloque terminal.

# INSTRUCCIONES PARA LA INSTALACIÓN

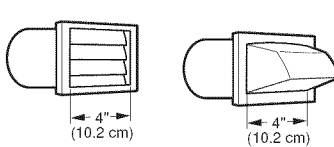
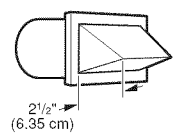
## REQUERIMIENTOS DE VENTILACIÓN

### CONEXIÓN DEL CONDUCTO DE VENTILACIÓN DE LA SECADORA

**ADVERTENCIA:** Para reducir el riesgo de incendio, descargas eléctricas o heridas al usar su electrodoméstico, siga las precauciones básicas, incluyendo lo siguiente:

- **No aplaste ni doble el sistema de conducto.** Si no se siguen estas instrucciones se podrá producir incendio o muerte.
- **No permita que el sistema de conducto se asiente sobre objetos puntiagudos ni entre en contacto con los mismos.** Si no se siguen estas instrucciones se podrá producir incendio o muerte.
- **Si conecta a un sistema de conducto existente, asegúrese de que sea adecuado y de que esté limpio antes de instalar la secadora.** Si no se siguen estas instrucciones se podrá producir incendio o muerte.
- **El sistema de ventilación debe seguir los códigos de construcción.** Si no se siguen estas instrucciones se podrá producir incendio o muerte.
- **Las secadoras de gas DEBEN ventilar hacia el exterior.** Si no se siguen estas instrucciones se podrá producir incendio o muerte.
- **Únicamente use un sistema de conducto rígido y de metal flexible de 10 cm (4 pulg.) dentro del gabinete de la secadora y para ventilación al exterior.** Si no se siguen estas instrucciones se podrá producir incendio o muerte.
- **Para reducir el riesgo de incendio, combustión o acumulación de gases combustibles, NO descargue el escape de la secadora en un área cerrada o no ventilada, tal como un desván, pared, cielo raso, espacio entre el cimientado y la tierra, chimenea, conducto de gas o espacios ocultos de un edificio.** Si no se siguen estas instrucciones se podrá producir incendio o muerte.
- **Para reducir el riesgo de incendio, NO descargue el escape de la secadora usando conductos de plástico ni de lámina metálica.** Si no se siguen estas instrucciones se podrá producir incendio o muerte.
- **El conducto de escape deberá tener 10 cm (4 pulg.) de diámetro sin obstrucciones. El conducto de escape deberá mantenerse lo más corto posible. Asegúrese de limpiar cualquier tipo de conducto antiguo antes de instalar su secadora nueva.** Si no se siguen estas instrucciones se podrá producir incendio o muerte.
- **Se recomiendan conductos rígidos o semirígidos para usar entre la secadora y la pared. En instalaciones particulares cuando es imposible realizar una conexión siguiendo las recomendaciones antes indicadas, se puede utilizar un conducto metálico flexible de transición aprobado por UL entre la secadora y la conexión de pared solamente. Usar este tipo de conducto afectará el tiempo de secado.** Si no se siguen estas instrucciones se podrá producir incendio o muerte.
- **NO utilice tornillos de lámina de metal ni otro tipo de aseguradores que extiendan dentro del conducto y puedan atrapar pelusa y reducir la eficiencia del sistema de escape. Asegure todas las uniones con cinta adhesiva impermeable.** Si no se siguen estas instrucciones se podrá producir incendio o muerte.
- **Para maximizar los resultados de funcionamiento, siga las limitaciones de longitud del conducto indicadas en el cuadro abajo.** Si no se siguen estas instrucciones se podrá producir incendio o muerte.
- **No se provee el sistema de ventilación con la secadora; el mismo deberá obtenerse localmente. La tapa terminal deberá tener reguladores de tiro con bisagras para prevenir el retorno de descarga cuando no se usa la secadora.** Si no se siguen estas instrucciones se podrá producir incendio o muerte.

### Tabla de selección y verificación de la longitud del conducto

| Tipo de tapa de pared   | Número de Codos de 90° | Long. máx. de conducto metálico rígido de diám. 4" | Long. máx. de conducto metálico flexible de diám. 4" |
|---|------------------------|--|--|
| <b>Recomendado</b><br>                                 | 0                      | 65 ft. (19,8 m)                                    | 45 ft. (13,7 m)                                      |
|   | 1                      | 55 ft. (16,8 m)                                    | 35 ft. (10,7 m)                                      |
|   | 2                      | 47 ft. (13,7 m)                                    | 30 ft. (9,1 m)                                       |
|   | 3                      | 36 ft. (11,0 m)                                    | 25 ft. (7,6 m)                                       |
|   | 4                      | 28 ft. (8,5 m)                                     | 20 ft. (6,1 m)                                       |
| <b>Uso en los instalaciones de conducto cortos</b><br> | 0                      | 55 ft. (16,8 m)                                    | 35 ft. (10,7 m)                                      |
|   | 1                      | 47 ft. (13,7 m)                                    | 27 ft. (8,1 m)                                       |
|   | 2                      | 41 ft. (12,5 m)                                    | 21 ft. (6,4 m)                                       |
|   | 3                      | 30 ft. (9,1 m)                                     | 17 ft. (5,2 m)                                       |
|   | 4                      | 22 ft. (6,7 m)                                     | 15 ft. (4,5 m)                                       |

**NOTA:** Reste 6 pies (1,8 m) por cada codo adicional. No se recomienda usar más de cuatro codos de 90°.

## CONEXIÓN DEL CONDUCTO DE VENTILACIÓN DE LA SECADORA (cont.)

### **Cómo utilizar la tabla de selección de verificación de la longitud del conducto (página 42)**

1. Seleccione el tipo de cubierta de pared.
2. Seleccione una hilera que coincida con la cantidad de codos necesarios para el recorrido del conducto de la secadora.
3. Seleccione el tipo de conducto. La longitud que aparece en el cuadro en este punto es la longitud máxima de conducto permitida para su instalación. Una longitud de conducto más larga reducirá el rendimiento del secado, producirá tiempos de secado más prolongados y un mayor consumo de energía.

NO supere la longitud máxima del tipo de conducto y los codos utilizados.

### **Direccionamiento y conexión del sistema de conducto de escape**

Siga las pautas indicadas más abajo para maximizar el desempeño de secado y reducir la acumulación de pelusa en el sistema de conducto.

**NOTA:** El sistema de conducto y las conexiones NO están incluidas y deben adquirirse por separado.

- Use un sistema de conducto metálico rígido o semirígido de 10 cm (4 pulg.).
- El conducto de escape deberá tenderse lo más corto posible.
- Use la menor cantidad de conexiones de codo que sea posible.
- El extremo macho de cada sección del conducto de escape **deberá** apuntar hacia afuera de la secadora.
- Use cinta adhesiva impermeable en todas las conexiones de conducto.
- Aísle el sistema de conducto que se tiende a través de áreas sin calefacción para reducir la condensación y acumulación de pelusa en las superficies del conducto.

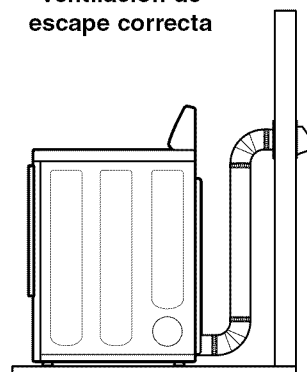
**⚠ ADVERTENCIA:** No seguir estas instrucciones generará un desempeño pobre, fallas en el producto y/o provocará un incendio o la muerte.

**IMPORTANTE:** Si no se agota la secadora de acuerdo con las pautas incluidas en estas instrucciones, es posible que como resultado la misma tenga un rendimiento insatisfactorio. Todas las ventilaciones y conductos no pertenecientes a la secadora son responsabilidad del consumidor. Una falla del producto como resultado de una ventilación inadecuada no estará cubierta dentro de la garantía del fabricante.

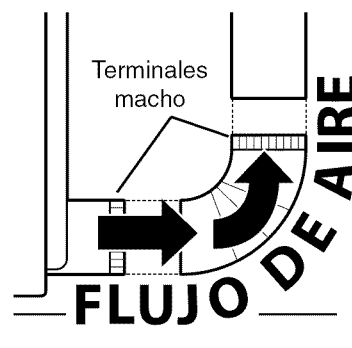
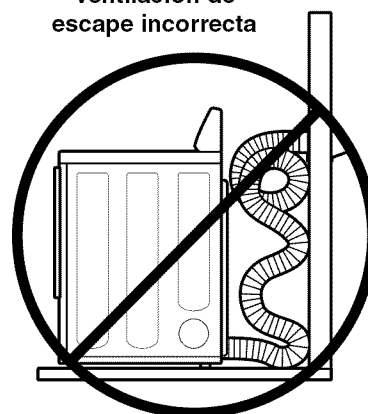
### **Cómo conectar la ventilación de la secadora**

1. Verifique que todos los conductos y codos estén limpios y libres de obstrucciones.
2. Mida la longitud del conducto. NO supere la longitud máxima indicada en la tabla de la página 42.
3. Conecte la salida de la secadora al conducto existente.
  - Utilice solamente cinta aislante o abrazaderas.
  - NO use tornillos para fijar el conducto.
  - Utilice un conducto de metal rígido o semi-rígido.
  - NO utilice una tubería de plástico o de papel metalizado fino como conducto.
  - El extremo macho de cada codo debe siempre debe apuntar en dirección del flujo de aire.

Ventilación de escape correcta



Ventilación de escape incorrecta



# INSTRUCCIONES PARA LA INSTALACIÓN

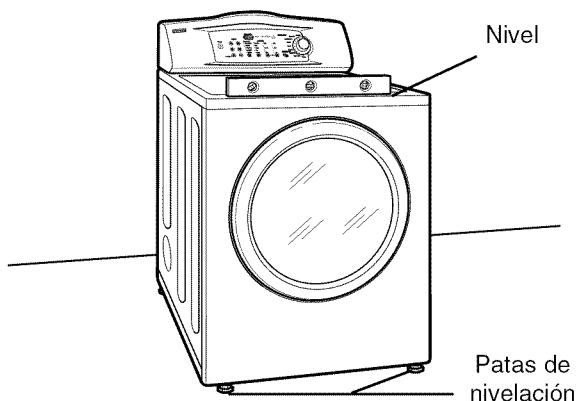
## NIVELACIÓN DE LA SECADORA

### ADVERTENCIA

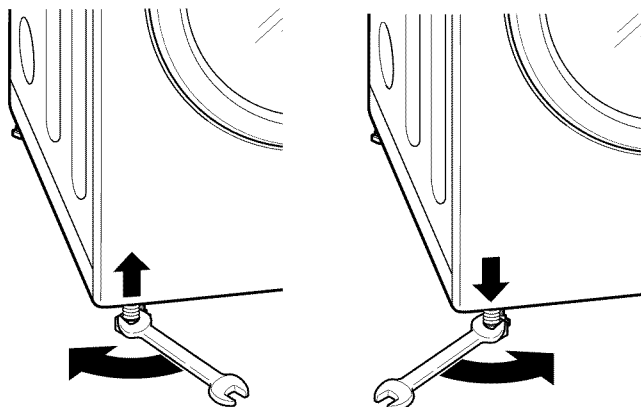
- Utilice guantes durante la instalación.
- No seguir estas instrucciones puede provocar lesiones.

Para asegurar que la secadora brinde un desempeño óptimo de secado, debe estar nivelada. Para minimizar la vibración, el ruido y movimiento no deseados, el piso deberá ser una superficie nivelada y sólida.

**NOTA:** Fije las patas niveladoras solo en la medida necesaria para nivelar la secadora. La extensión de las patas niveladoras más de lo necesario puede causar vibración de la secadora.



1. Coloque la secadora en la posición final. Coloque un nivelador sobre la secadora.
  - Las 4 patas niveladoras deberán apoyarse firmemente en el piso. Empuje suavemente las esquinas superiores de la secadora para asegurarse de que su secadora no se mece de esquina a esquina.

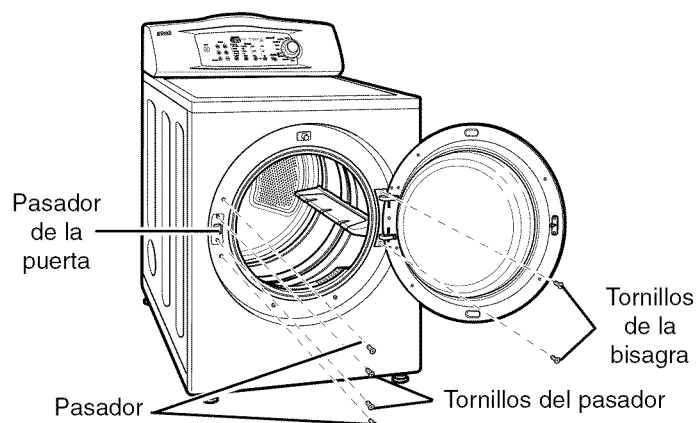


2. Use una llave para girar el pie nivelador. Girar el pie nivelador en dirección hacia las agujas del reloj lleva el mismo hacia abajo y eleva la secadora; girar el pie en contra de las agujas del reloj eleva el pie y lleva la lavadora hacia abajo. Eleve o lleve hacia abajo los pies niveladores hasta que la lavadora esté nivelada de un lado a otro y desde el frente hasta atrás. Asegúrese que los cuatro pies niveladores tengan un contacto firme sobre el piso.

**NOTA:** Si está instalando la secadora en el pedestal opcional, las patas de nivelación deben retraerse por completo. Utilice las patas de nivelación sobre el pedestal para nivelar la secadora.

## CÓMO INVERTIR EL SENTIDO DE LA PUERTA

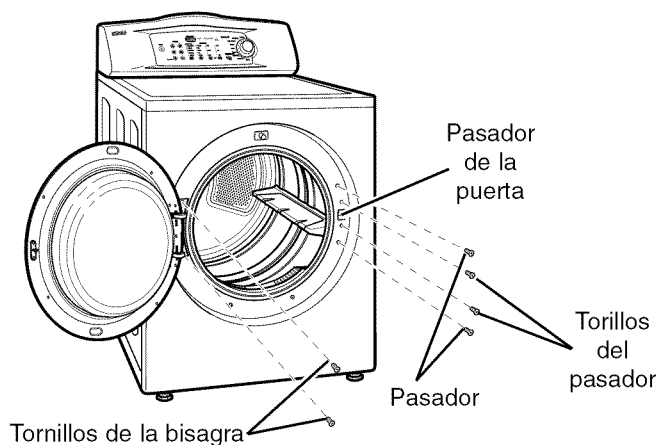
Se puede invertir el sentido de la puerta para que se adapte a su lugar de instalación.



1. Abra la puerta de la secadora.

**NOTA:** Asegúrese de sostener el peso de la puerta antes de quitar los tornillos de la bisagra.

2. Utilizando un destornillador de estrella, quite los 2 tornillos de bisagra que sostienen la bisagra de la puerta a la abertura de la puerta de la secadora.
3. Quite los 2 tornillos de la traba y la traba de la abertura de la puerta de la secadora.
4. Quite los dos tornillos ubicados arriba y debajo de la traba.

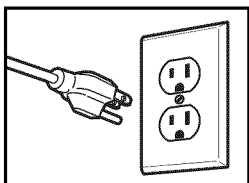


5. Con cuidado dé vuelta la puerta para que la bisagra quede invertida. Vuelva a sujetar la puerta en el lado opuesto de la abertura de la puerta.
6. Reinstale la traba de la puerta con sus tornillos originales.
7. Coloque los tornillos restantes en los orificios abiertos.
8. Controle la abertura de la puerta para asegurarse de que la puerta se mueve libremente y se traba bien.

## REVISIÓN DE INSTALACIÓN FINAL

Una vez que haya completado la instalación de la secadora y la misma se encuentre en su ubicación final, confirme que funcione correctamente realizando las siguientes pruebas.

1. ¿Está el gas encendido? (Sólo modelos de gas)
2. ¿Está la secadora enchufada? La secadora siempre debe enchufarse en el tomacorriente adecuado.



La secadora de gas debe utilizar un tomacorriente de 3 espigas de 120 VAC, 60 Hz. con conexión a tierra.



La secadora eléctrica debe utilizar una conexión de 4 hilos, que se requiere en todas las instalaciones de casas rodantes y prefabricadas, como en todas las construcciones nuevas a partir del 1 de enero de 1996.

-- O --



Una conexión de 3 hilos.  
NOTA: NO se permite una conexión de 3 hilos en construcciones nuevas a partir del 1 de enero de 1996.

3. ¿Está conectado el conducto de ventilación de la secadora?
4. ¿Está nivelada la secadora?
5. Realice las siguientes pruebas antes de utilizar la secadora.

## Comprobación del calentamiento de la secadora

### MODELOS A GAS

1. Cierre la puerta de la secadora.
2. Presione el botón de ENCENDIDO/APAGADO para encender la secadora.
3. Gire la perilla selectora de ciclo al ciclo de secado normal.
4. Presione la perilla selectora de ciclo para accionar la secadora. Cuando la secadora se acciona, el encendedor de gas debe encender el quemador principal.

**NOTA:** Si no se purga todo el aire de la línea de gas, el encendedor de gas puede apagarse antes de que se encienda el quemador principal. Si esto sucede, el encendedor intentará volver a encenderse hasta que todo el aire se purgue de la línea de gas.

### MODELOS ELÉCTRICOS

1. Cierre la puerta de la secadora.
2. Presione el botón de ENCENDIDO/APAGADO para encender la secadora.
3. Gire la perilla selectora de ciclo al ciclo de secado normal.
4. Presione la perilla selectora de ciclo para accionar la secadora. El aire de salida debe estar tibio después de que la secadora haya funcionado durante 3 minutos.

## Verificación de la ventilación

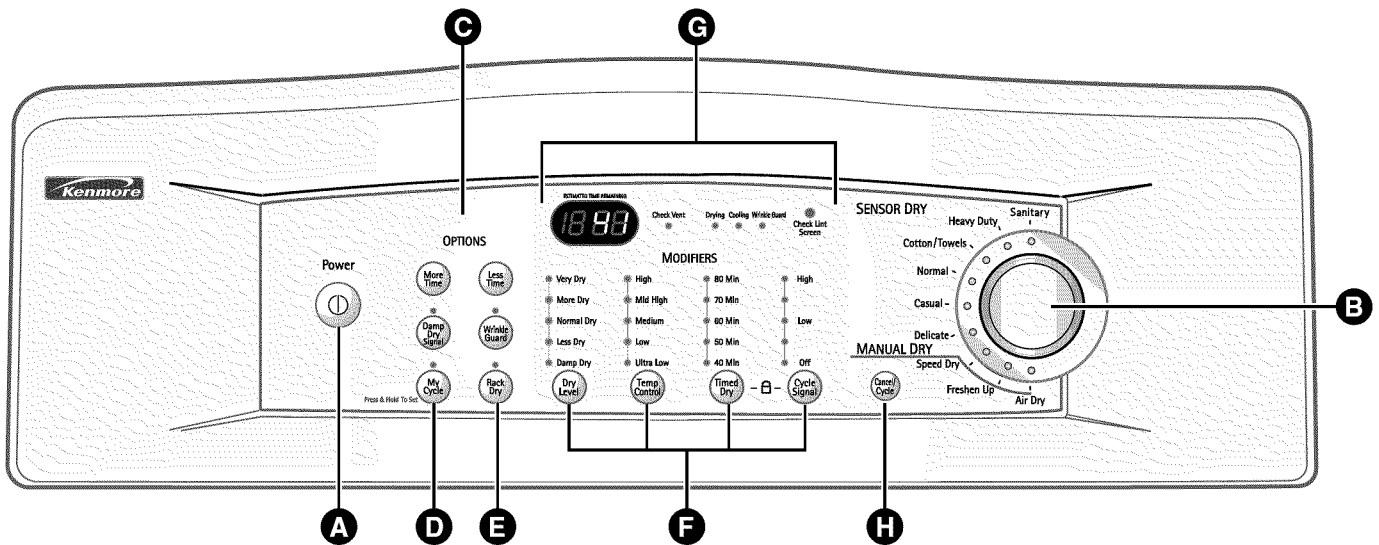
Por lo menos una vez al año debe controlarse que el conducto de ventilación no haya acumulado pelusa y debe limpiarse. Si se registra una reducción notable de la capacidad de secado, verifique que el conducto no tenga obstrucciones o bloqueos.

## Verificación de la nivelación

Una vez que la secadora se encuentre en su posición final, vuelva a verificar que esté nivelada. Controle que esté nivelada del frente hacia atrás y de lado a lado, y que las 4 patas de nivelación se encuentren bien apoyadas sobre el piso.

**ADVERTENCIA:** Para reducir el riesgo de incendios, descargas eléctricas o heridas, lea este manual en su totalidad, incluyendo las Instrucciones Importantes de Seguridad, antes de operar la secadora.

## CARACTERÍSTICAS DEL PANEL DE CONTROL



### **A** BOTÓN DE ENCENDIDO/APAGADO (On/Off)

Apriete el botón para encender la secadora. Apriete nuevamente para apagar la secadora.

**NOTA:** Apretar el botón de ENCENDIDO/APAGADO durante un ciclo cancelará ese ciclo y borrará cualquier ajuste de carga.

### **B** PERILLA SELECTORA DE CICLOS-INICIO/PAUSA

Esta perilla posee una función dual y se usa para seleccionar un ciclo y para comenzar o pausar un ciclo. Gire la perilla para seleccionar el ciclo deseado. Una vez que el mismo fue seleccionado, las preconfiguraciones estándares aparecerán en la pantalla. Dichas configuraciones se pueden ajustar usando los botones del Modificador de Ciclo (Cycle Modifier) u Opción (Option) en cualquier momento antes de comenzar el ciclo. (Lea sobre configuraciones aceptables de la guía del ciclo en la página 48. Afin de proteger las telas, no se permitirán todas las configuraciones en todos los ciclos.) Presione esta perilla para **COMENZAR** el ciclo seleccionado. Si la secadora se encuentra en funcionamiento, use la perilla para **PAUSAR** el ciclo sin actuales perder las configuraciones actuales.

**NOTA:** Si la secadora se detiene durante más de 4 minutos, la misma se apagará de forma automática.

### **C** BOTONES DE OPCIONES

Los botones de opciones le permiten seleccionar opciones de ciclo adicionales. Algunos botones también le permitirán activar funciones especiales al apretar y mantener apretado el botón durante 3 segundos.

Las opciones **MORE TIME** (más tiempo) y **LESS TIME** (menos tiempo) no se encuentran disponibles con los ciclos de secado con sensor.

Para obtener información detallada sobre las opciones individuales, consulte las siguientes páginas.

### **D** BOTÓN MY CYCLE

Presione el botón **MY CYCLE** (mi ciclo) para seleccionar el ciclo memorizado. Las selecciones de ciclo y las configuraciones se memorizan presionando y sosteniendo el botón durante 3 segundos. (Ver página 52).

### **E** BOTÓN RACK DRY

El botón **RACK DRY** (secado en estante) selecciona la temperatura predeterminada y las configuraciones de tiempo para secar los elementos en bandeja.

### **F** BOTONES MODIFICADORES DE CICLO

Utilice estos botones para ajustar las opciones de ciclo deseadas para el ciclo seleccionado. Las luces ubicadas sobre los botones muestran la selección actual. Ver la página 51 para una descripción completa. (**NOTA:** Algunas configuraciones no se permiten en algunos ciclos).

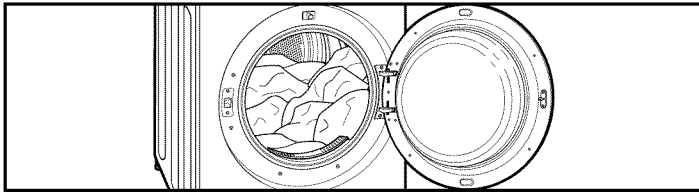
### **G** PANTALLA DE TIEMPO Y ESTADO

La pantalla muestra el tiempo restante estimado y el estado del ciclo. La pantalla también controla la ventilación y el estado del filtro de pelusa. Ver la página 50 para una descripción completa.

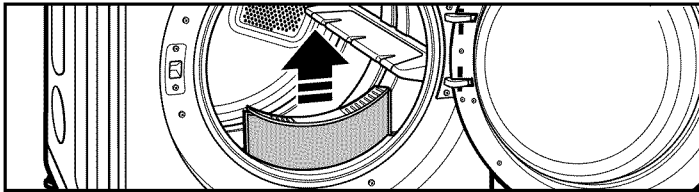
### **H** BOTÓN DE CANCELACIÓN/CICLO

El botón **CANCEL/CYCLE** (cancelación/ciclo) se utiliza para detener la secadora y reconfigurar los controles.

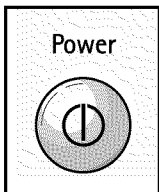
## CÓMO OPERAR LA SECADORA



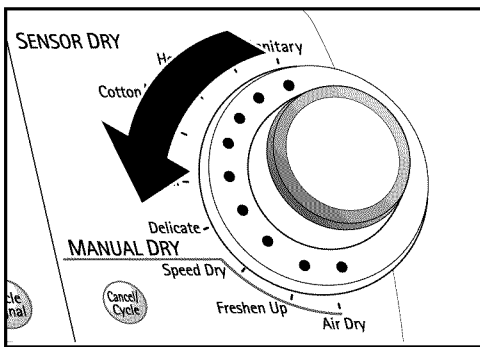
- 1 CLASIFIQUE LA ROPA Y CARGUE LA SECADORA**  
Consulte la página 49.



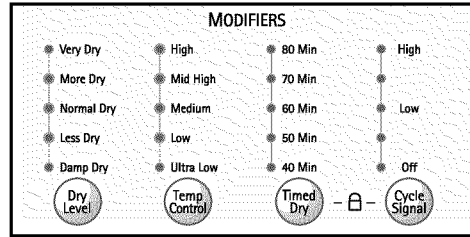
- 2 CONTROLE EL FILTRO DE PELUSA**  
Consulte la página 49.



- 3 ENCIENDA LA SECADORA**  
Presione el botón de ENCENDIDO/APAGADO para encender la secadora. Las luces ubicadas alrededor de la perilla de función doble se iluminarán. Consulte la página 46.



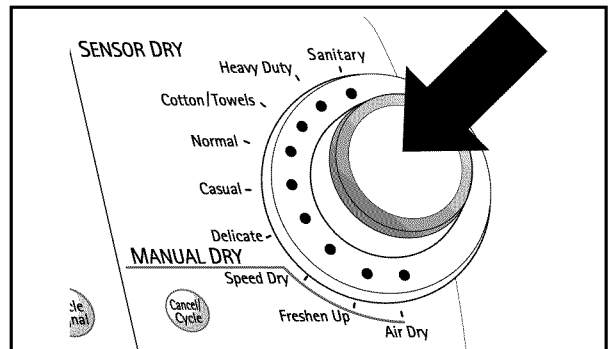
- 4 SELECCIONE UN CICLO**  
Gire la perilla selectora de ciclo hasta el ciclo deseado. La pantalla mostrará las configuraciones predeterminadas de nivel de secado, temperatura, tiempo y opciones para ese ciclo. Los ciclos de secado manual también le permitirán seleccionar una configuración de secado temporizado. Consulte la página 46.



- 5 SELECCIONE LOS MODIFICADORES DE CICLO**  
Para consultar sobre Nivel de Secado (Dry Level), Control de Temperatura (Temp Control), Secado por Tiempo (Timed Dry) y SEÑAL DEL CICLO (CYCLE SIGNAL) consulte la página 51.



- 6 SELECCIONE LAS OPCIONES DE CICLO**  
Para consultar sobre Más Tiempo (More Time), Menos Tiempo (Less Time), Señal de Secado Húmedo (Damp Dry Signal), Protector Antiarrugas (Wrinkle Guard), Mi Ciclo (My Cycle) y Secado en estante (Rack Dry) consulte la página 52.



- 7 COMIENCE EL CICLO**  
Presione la perilla selectora de ciclo para iniciar el ciclo. Si se presiona la perilla selectora de ciclo después de que la secadora haya comenzado a funcionar, la secadora quedará pausada y conservará la configuración existente durante 4 minutos. Consulte la página 46.

Quando la carga haya finalizado, sonará un pitido (si fue configurado). Si configuró la opción del Protector Antiarrugas (Wrinkle Guard), la secadora secará la carga en forma periódica durante hasta 3 horas. Para más detalles sobre el Protector Antiarrugas (Wrinkle Guard), consulte la página 52.

Quite los elementos de la secadora inmediatamente después del final de ciclo para que las prendas no se arruguen más.

Controlar y limpiar la pantalla de pelusas luego de cada carga es esencial para el rendimiento de la secadora y/o para evitar la acumulación de pelusa y/o bloqueos en la ventilación.

# CÓMO USAR

## GUÍA DE CICLOS

La siguiente guía de ciclos muestra las opciones disponibles y los tipos de telas recomendadas para cada ciclo.

● = opción disponibles

| Tipo              | Ciclo  | Tipo de tela   | Nivel de secado | Temperatura        | Tiempo en min. | Más tiempo/<br>Menos tiempo | Protector<br>Antiarrugas | Secado<br>húmedo |
|-------------------|--|--|-----------------|--------------------|----------------|-----------------------------|--------------------------|------------------|
| SECADO CON SENSOR | Pesado   | Vaquera, artículos pesados   | Normal          | Alto               | 54             |                             | ●                        | ●                |
|                   |  |  | Adjustable      |                    |                |                             |                          |                  |
|                   | Algodón/<br>Toallas                                | Vaquera, toallas, algodones pesados  | Normal          | Media alto         | 55             |                             | ●                        | ●                |
|                   |  |  | Adjustable      |                    |                |                             |                          |                  |
|                   | Normal   | Ropa de trabajo, pana, etc.  | Normal          | Media              | 41             |                             | ●                        | ●                |
|                   |  |  | Adjustable      |                    |                |                             |                          |                  |
| Casual (informal) | Planchado permanente, prendas de tela sintética    | Normal   | Bajo            | 36                 |                | ●                           | ●                        |                  |
|                   |  | Adjustable   |                 |                    |                |                             |                          |                  |
| Delicado          | Lencería, sábanas, blusas                          | Normal   | Bajo            | 32                 |                | ●                           | ●                        |                  |
|                   |  | Adjustable   |                 |                    |                |                             |                          |                  |
| Sanitario         | Ropa de trabajo, algodones fuertes, corderoy, etc. | Muy seco   | Alto            | 70                 |                | ●                           |                          |                  |
|                   |  | No ajustable   |                 |                    |                |                             |                          |                  |
| SECADO MANUAL     | Secado veloz                                       | Para cargas pequeñas con tiempos cortos de secado  | Apagado         | Alto               | 25             | ●                           | ●                        |                  |
|                   |  |  |                 | Adjustable         | Adjustable     |                             |                          |                  |
|                   | Refrescado   | Para quitar arrugas menores de la ropa   | Apagado         | Media alto         | 20             | ●                           | ●                        |                  |
|                   |  |  |                 | Adjustable         | Adjustable     |                             |                          |                  |
|                   | Secado con aire                                    | Para artículos que requieren secado sin calor tales como plásticos o cauchos                 | Apagado         | Sin calor          | 30             | ●                           | ●                        |                  |
|                   |  |  |                 |                    | Adjustable     |                             |                          |                  |
|                   | Secado por tiempo                                  | Para secado general; se pueden programar manualmente las operaciones de tiempo y temperatura | Apagado         | Alto               | 60             | ●                           | ●                        |                  |
|                   |  |  |                 | Adjustable         | Adjustable     |                             |                          |                  |
|                   | Secado en estante                                  | Suéteres de lana, sedas, lencería  | Apagado         | Apagado            | 50             | ●                           |                          |                  |
|                   |  |  |                 | Ultra bajo<br>Bajo | Adjustable     |                             |                          |                  |

### Ciclos de secado con sensor (sensor dry)

Los ciclos de secado con sensor utilizan el sistema exclusivo de sensor doble para detectar y comparar el nivel de humedad en las prendas y en el aire, y programar el tiempo de secado del modo necesario para asegurar resultados superiores.

La secadora ajusta automáticamente el nivel de sequedad y temperatura del ajuste recomendado para cada ciclo. El tiempo restante estimado se mostrará en la pantalla.

**NOTA:** Para proteger sus prendas, no todos los niveles, temperatura u opciones están disponible con cada ciclo.

### Ciclos de secado manual (manual dry)

Use los ciclos de secado manual para seleccionar una cantidad específica de tiempo y temperatura de secado. Cuando se selecciona el ciclo de secado manual, la pantalla de tiempo restante estimado (ESTIMATED TIME REMAINING) muestra el tiempo restante real en su ciclo. Presione y sostenga los botones MORE TIME (más tiempo) o LESS TIME (menos tiempo) para cambiar el tiempo rápidamente.

**ADVERTENCIA:** Para reducir el riesgo de incendios, descargas eléctricas o heridas, lea este manual en su totalidad, incluyendo las Instrucciones Importantes de Seguridad, antes de operar la secadora.

## CLASIFICACIÓN DE CARGAS

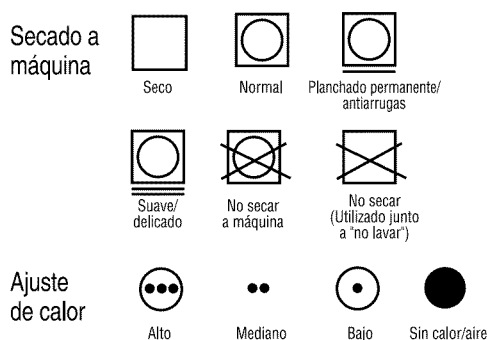
### Etiquetas de mantenimiento de las telas

La mayoría de las prendas de vestir tienen etiquetas de mantenimiento de las telas para lograr un mantenimiento adecuado.

### Agrupamiento de prendas similares

Para obtener los mejores resultados, clasifique las prendas en cargas que puedan secarse con el mismo ciclo de secado.

Los diferentes tipos de telas tienen diferentes requisitos



de cuidado, y algunas telas se secarán más rápido que otras. Para mejores resultados en el cuidado de las telas, siempre seque las prendas con otros elementos que requieran los mismos cuidados.

## CÓMO CARGAR DE LA SECADORA

**ADVERTENCIA:** Para reducir el riesgo de incendio, descargas eléctricas o heridas al usar su electrodoméstico, siga las precauciones básicas, incluyendo lo siguiente:

- **Revise todos los bolsillos para asegurarse de que estén vacíos. Los artículos como clips, fósforos, plumas, monedas y llaves pueden dañar su secadora o sus prendas. Los objetos inflamables tales como encendedores o fósforos podrían encenderse y provocar un incendio.** Si no se cumple con esto se podrá producir una explosión, incendio o muerte.
- **Nunca seque prendas que hayan sido expuestas a aceite, gasolina u otra sustancias inflamables. Lavar las prendas no eliminará completamente los residuos de aceite.** Si no se cumple con esto se podrá producir una explosión, incendio o muerte.

### Consejos de Carga

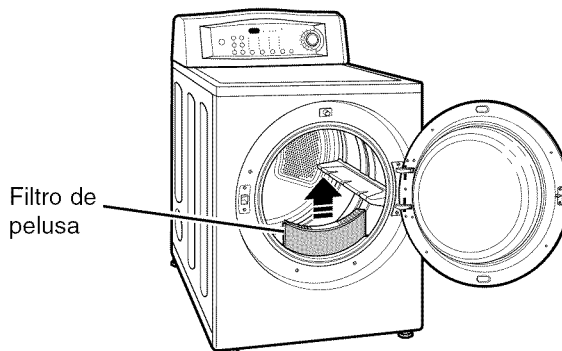
- Combine prendas grandes y pequeñas en una carga.
- Las prendas húmedas se extenderán mientras se secan. No sobrecargue la secadora; las prendas necesitan de espacio para girar y secar adecuadamente.
- Cierre las cremalleras, ganchos y cordones para prevenir que estos artículos se enganchen o enreden en otras prendas.

## REVISE EL FILTRO DE PELUSA ANTES DE CADA CARGA

Asegúrese siempre de que el filtro de pelusa esté limpio antes de iniciar una carga nueva; un filtro de pelusa bloqueado incrementará los tiempos de secado.

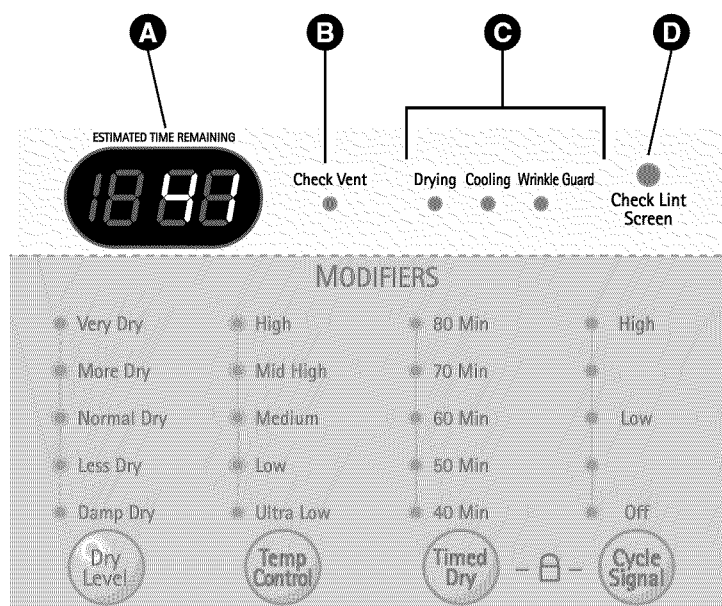
Para limpiarlo, tire del filtro de pelusa verticalmente y, con los dedos, enrolle cualquier pelusa para retirarla del filtro. No enjuague ni lave el filtro para eliminar la pelusa. Empuje el filtro de pelusa firmemente en su lugar. Para más información, ver "limpieza regular" en la página 54.

Asegúrese siempre de que el filtro de pelusa esté instalado adecuadamente antes de poner en funcionamiento la secadora. Hacer funcionar la secadora sin o con un filtro de pelusa suelto podría dañar la secadora y los artículos en el interior de la misma.



## PANTALLA DE TIEMPO Y ESTADO

La pantalla de tiempo y estado muestra el tiempo restante estimado, progreso del ciclo, estado del filtro de pelusa y estado de la ventilación. Cuando se enciende la secadora, se iluminará la luz de la pantalla.



### **A** TIEMPO RESTANTE ESTIMADO (ESTIMATED TIME REMAINING)

Cuando se apriete el botón inicio/pausa (START/PAUSE), la secadora mostrará el tiempo estimado de secado con sensor (SENSOR DRY) o el tiempo programado de secado cronometrado (TIME DRY) restante, y comenzará a girar.

### **B** VERIFICAR VENTILACIÓN (Sistema Sensor de Bloqueo de Conducto)

La verificación de ventilación (sistema sensor de bloqueo de conducto) detecta bloqueos en los conductos que reducen la corriente de aire desde la secadora y lo alerta sobre los mismos. Esto mejora la eficiencia de operación y ayuda a reducir las visitas para efectuar reparaciones, lo que ahorra dinero.

Si la verificación de ventilación LED no parpadea, el conducto se encuentra libre de obstrucciones.

Si la verificación de ventilación LED parpadea, el conducto de la secadora tiene una obstrucción que debe removerse de inmediato.

### **C** INDICADOR DEL ESTADO DEL CICLO

Esta parte de la pantalla muestra qué etapa del ciclo de secado se está llevando a cabo, DRYING (secado), COOLING (enfriamiento) o Protector Antiarrugas (Wrinkle Guard).

### **D** INDICADOR DE FILTRO DE PELUSAS

La secadora detecta automáticamente la reducción de corriente de aire provocada por un filtro de pelusa lleno. El indicador de Check Lint Screen (verificar filtro de pelusas) se encenderá antes de cada carga como recordatorio de verificar el filtro de pelusas antes de comenzar cada carga. Si el filtro de pelusas se obstruye durante una carga, el indicador se encenderá para señalar que el filtro debe limpiarse inmediatamente para una eficiencia máxima. Siempre limpie el filtro de pelusas antes de cada ciclo.

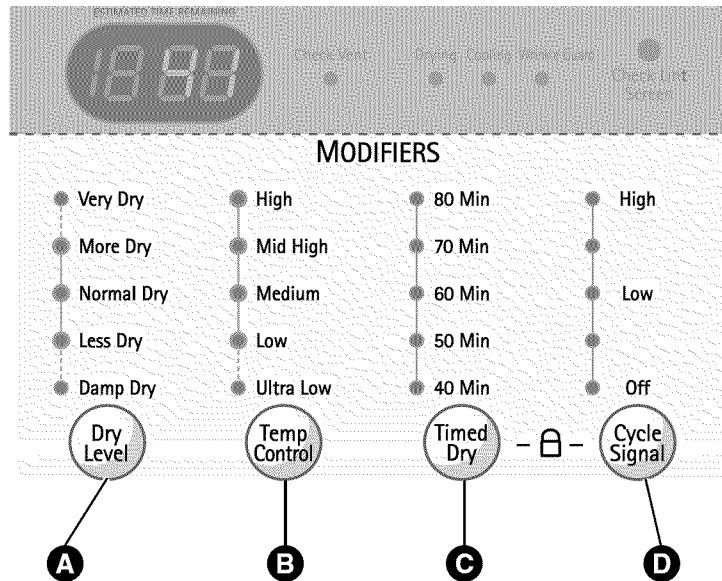
## BOTONES MODIFICADORES DE CICLO

Todos los ciclos cuentan con configuraciones predeterminadas que se seleccionan automáticamente. Usted también puede personalizar estas configuraciones utilizando los botones modificadores de ciclo. Los ciclos SENSOR DRY (secado con sensor) cuentan con configuraciones predeterminadas que se seleccionan automáticamente y no pueden modificarse.

Los ciclos MANUAL DRY (secado manual) cuentan con configuraciones predeterminadas, pero también pueden modificarse las configuraciones utilizando los botones modificadores de ciclo.

Presione el botón para la modificación deseada hasta que se encienda la luz indicadora del valor deseado.

**NOTA:** Para proteger las prendas, no todos los niveles de secado, temperatura u opción están disponibles en todos los ciclos. Vea la Guía de ciclos para obtener más detalles. Para más detalles, ver la Guía de ciclos de la página 48.



### **A** NIVEL DE SECADO (DRY LEVEL)

Selecciona el nivel de sequedad para el ciclo. Apriete el botón de nivel de secado (DRY LEVEL) varias veces para navegar por los ajustes disponibles.

- Esta opción sólo está disponible con los ciclos de SECADO MANUAL (MANUAL DRY).
- La secadora ajustará el tiempo de ciclo automáticamente. Al seleccionar muy seco (VERY DRY) o más seco (MORE DRY) se incrementará el tiempo del ciclo, mientras que menos seco (LESS DRY) o húmedo seco (DAMP DRY) disminuirá el tiempo del ciclo.
- Use un ajuste menos seco (LESS DRY) o húmedo seco (DAMP DRY) en los artículos que desee planchar.

### **B** CONTROL DEL TEMPERATURA (TEMP CONTROL)

Regula el ajuste de temperatura desde ultra bajo (ULTRA LOW) a calor alto (HIGH). Esto permite el cuidado preciso de sus telas y prendas. Apriete el botón control del temperatura (TEMP CONTROL) varias veces para navegar por los ajustes disponibles.

### **C** SECADO POR TIEMPO (TIMED DRY)

Le permite seleccionar el tiempo de secado manualmente, en incrementos de 10 minutos. Use esta opción en cargas pequeñas o para eliminar arrugas. Use los botones de más tiempo/menos tiempo (MORE TIME/LESS TIME) para añadir o reducir el tiempo de secado en incrementos de 1 minuto.

### **D** SEÑAL DEL CICLO (CYCLE SIGNAL)

Ajusta el volumen de la señal de fin de ciclo o apaga la señal. Presione el botón en forma repetida hasta que el volumen deseado aparezca en la pantalla.

## BOTONES DE OPCIÓN DE CICLO

Su secadora dispone de varias opciones de ciclo adicionales, las cuales personalizan los ciclos para satisfacer sus necesidades individuales. Ciertos botones de opción también incorporan una función especial (vea la siguiente página para obtener mayor información) que puede activarse apretando y manteniendo apretado ese botón de opción por 3 segundos.

### **Para añadir opciones de ciclo al ciclo:**

1. Encienda la secadora.
2. Encienda la secadora y gire la perilla selectora de ciclos para seleccionar el ciclo deseado.
3. Use los botones de programación de ciclo para fijar los ajustes para ese ciclo.
4. Apriete el(los) botón(es) de opción de ciclo para la opción que desea añadir. Aparecerá en la pantalla un mensaje de confirmación.
5. Apriete el botón inicio/pausa (START/PAUSE) para iniciar el ciclo. La secadora iniciará automáticamente.

### **PROTECTOR ANTIARRUGAS (WRINKLE GUARD)**



La selección de esta opción secará la carga de forma periódica durante algunos segundos sin calor. Esto continuará hasta durante 3 horas luego del ciclo seleccionado o hasta que la puerta se abra. Esto evita que los ítems que aún se encuentran dentro se arruguen hasta que puedan ser retirados.

### **BIP DE SECADO HÚMEDO (DAMP DRY SIGNAL)**



Con esta opción, la secadora hará un pitido cuando la carga esté seca en aproximadamente un 80%. Esto le permite eliminar de forma rápida los ítems más livianos que estén secos o los ítems que desee planchar o colgar mientras aún se encuentran un poco húmedos. Esta opción sólo está disponible con los ciclos del Secado con sensor (Sensor Dry).

## MY CYCLE (MI CICLO)



MY CYCLE le permite almacenar combinaciones especiales de configuraciones que utiliza frecuentemente. Le permite guardar los niveles de secado, las temperaturas, el tiempo y opciones para un ciclo, y luego pueden accederse a ellas presionando un botón.

### **Para guardar MY CYCLE:**

1. Encienda la secadora.
2. Seleccione un ciclo.
3. Use los botones de programación de ciclo para fijar los ajustes para ese ciclo.
4. Configure cualquier otra opción del ciclo deseado.
5. Presione y mantenga presionado el botón MI CICLO (MY CYCLE) durante 3 segundos. Escuchará dos pitidos que confirmarán que las configuraciones se guardaron.

**IMPORTANTE:** Sólo puede guardar un programa de Mi Ciclo (My Cycle) por vez. Si mantiene presionado el botón MI CICLO (MY CYCLE) durante 3 segundos, sobrescribirá cualquier configuración guardada previamente de Mi Ciclo (My Cycle).

### **Para recordar MY CYCLE:**

1. Presione y libere el botón MY CYCLE. Podrán verse las configuraciones guardadas. CYCLE button. The stored settings will be displayed.
2. Presione y libere la perilla selectora de ciclo para iniciar el ciclo. La secadora se encenderá automáticamente.

**NOTA:** Una vez que se ha recordado MY CYCLE, pueden ajustarse cualquiera de los modificadores u opciones memorizados. Sin embargo, si se gira la perilla selectora de ciclo, aparecerá MY CYCLE en la pantalla.

## FUNCIONES ESPECIALES

### SECADO EN ESTANTE (RACK DRY)

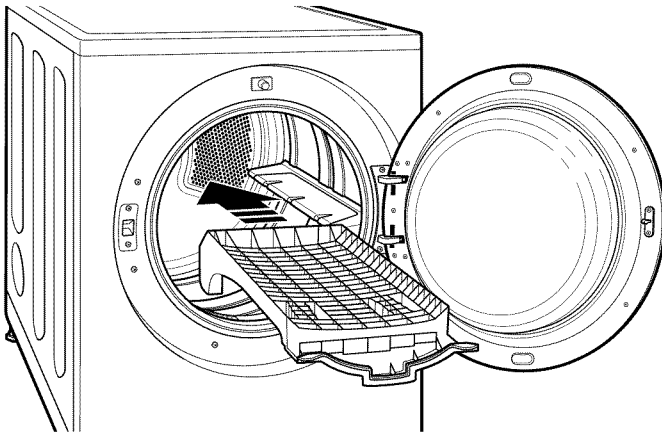


Use el ciclo SECADO EN ESTANTE (RACK DRY) con artículos tales como suéteres de lana, sedas y lencería, que se deberían secar en posición horizontal. También se puede usar SECADO EN ESTANTE (RACK DRY) con

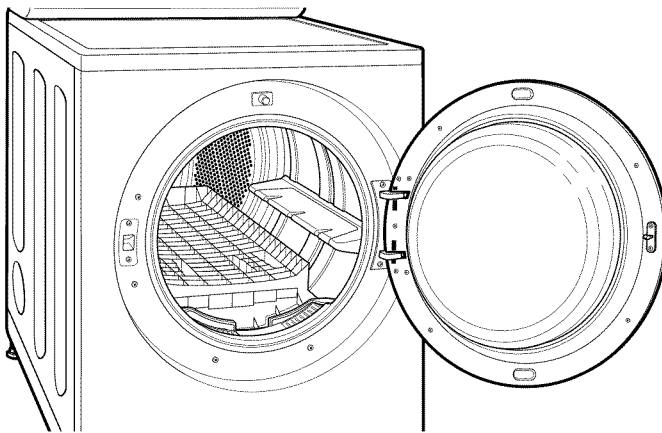
artículos que no deben secarse girando, tales como calzado deportivo o animales de peluche.

**NOTA:** NUNCA use el este ciclo en combinación con un ciclo de secado giratorio.

### Para instalar el estante de secado



1. Manteniendo abierta la puerta de la secadora, deslice el estante en el tambor de la secadora.



2. Asegúrese de que esté asentado uniformemente sobre el borde interior de la puerta y descansa horizontalmente sobre el interior de la secadora.

**NOTA:** Asegúrese de quitar el estante de secado después de usar el ciclo SECADO EN ESTANTE (RACK DRY).

### CICLO SANITARIO

Cuando el Ciclo de Limpieza (Sanitary Cycle) es seleccionado en la Perilla del Selector de Ciclo (Cycle Selector Knob), la secadora configurará de forma automática la temperatura en ALTO (HIGH) y el nivel de secado en MUY SECO (VERY DRY).

**NOTA:** No use este ciclo con telas delicadas.

### SEGURO INFANTIL (CHILD LOCK)



Use esta opción para evitar el cambio de configuraciones de ciclo mientras la secadora esté en funcionamiento. Mantenga presionado SECADO POR

TIEMPO (TIMED DRY) y SEÑAL DEL CICLO (CYCLE SIGNAL) durante 3 segundos para activar o desactivar el SEGURO INFANTIL (CHILD LOCK). "CL" aparecerá en la pantalla de forma alternada con el tiempo restante estimado. Todos los controles quedarán inhabilitados. el SEGURO INFANTIL (CHILD LOCK) quedará cancelado de forma automática cuando la secadora complete el ciclo.

**⚠ ADVERTENCIA:** Para reducir el riesgo de incendio, descargas eléctricas o heridas al usar su electrodoméstico, siga las precauciones básicas, incluyendo lo siguiente:

- **Desenchufe la secadora antes de limpiar la misma para evitar el riesgo de descargas eléctricas.** Si no se cumple con esta advertencia se podrán producir heridas graves, incendios, descargas eléctricas o muerte.
- **Al limpiar la secadora nunca utilice químicos de corte, limpiadores abrasivos o solventes.** Los mismos dañarán su aspecto.

## LIMPIEZA REGULAR

### *Limpieza del exterior*

El mantenimiento adecuado de su secadora podría prolongar su vida útil. El exterior de la unidad puede limpiarse con agua tibia y un detergente de jabón medio, no abrasivo.

Limpie inmediatamente cualquier clase de fuga, con un trapo suave y húmedo.

**IMPORTANTE:** No use alcohol desnaturalizado, disolventes o productos similares.

**NUNCA** use limpiadores abrasivos ni estropajos; pueden rayar o dañar la superficie.

### *Limpieza del interior*

Limpie con un paño alrededor de la abertura y el sello de la puerta con un paño suave húmedo para quitar la acumulación de pelusa y polvo que podrían dañar el sello de la puerta.

Limpie la ventanilla con un paño suave humedecido con agua caliente y un detergente suave no abrasivo para el hogar; luego seque con un paño.

**NUNCA** use limpiadores abrasivos ni de lana metálica; pueden raspar o dañar la superficie.

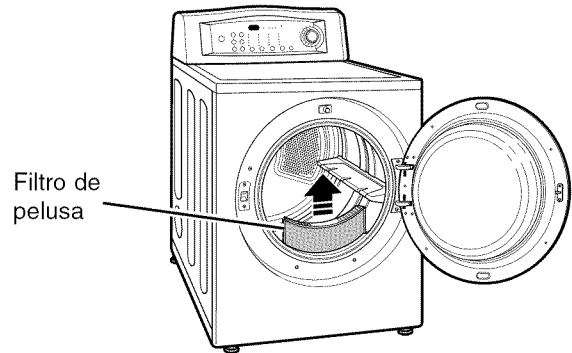
### *Limpieza alrededor y debajo de la secadora*

Aspire la pelusa y polvo alrededor de la secadora y debajo de ella con regularidad.

### *Mantenimiento del sistema de conductos*

Se debe revisar que el sistema de conductos de ventilación no tenga acumulación de pelusa y se debe limpiar una vez por año. Si se registra una reducción notable de la capacidad de secado, verifique que el conducto no tenga obstrucciones o bloqueos. Si el indicador CHECK VENT (verificar ventilación) se ilumina, el sistema de salida debe verificarse inmediatamente en busca de daños u obstrucciones. El indicador CHECK VENT (verificar ventilación) señala una reducción importante de la corriente de aire de salida que reducirá significativamente la eficiencia de energía e incrementará los tiempos de secado. Los sistemas de salida dañados o restringidos no se encuentran cubiertos por la garantía de la secadora. Los daños sobre la secadora que sean causados por sistemas de escape dañados, restringidos o que sean de algún otro modo

### *Limpieza del filtro de pelusa*

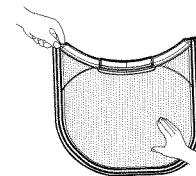


SIEMPRE asegúrese de que el filtro de pelusas esté limpio antes de cada ciclo. La luz de verificar filtro de pelusa del panel de control parpadeará antes de cada ciclo para recordarle.

**NOTA:** **NUNCA** use la secadora sin la pantalla de pelusas.

#### ***Para quitar pelusa entre ciclos:***

1. Abra la puerta de la secadora.
2. Tire del filtro de pelusas hacia arriba. Luego:



3. Quite las pelusas del filtro con sus dedos.

#### ***Limpieza total en forma periódica:***

Algunos suavizantes de tela se pueden acumular en a pantalla de pelusas a lo largo del tiempo. Esta acumulación puede restringir el flujo de aire a través de la pantalla, reduciendo la eficiencia de la secadora y extendiendo los tiempos de secado. Si la pantalla se ve oscura o sucia cuando esté frente a una luz, siga estos pasos para limpiar:

1. Use agua caliente y jabón y un cepillo duro para limpiar la pantalla.
2. Asegúrese de que el filtro se encuentre completamente seco antes de volver a instalar y usar la secadora.

**NOTA:** **NUNCA** use la secadora cuando la pantalla de pelusas esté húmeda.

# RESOLUCIÓN DE PROBLEMAS

## ANTES DE LLAMAR A MANTENIMIENTO

Su secadora está equipada con un sistema de monitoreo de errores automático para la detección y el diagnóstico de problemas en una etapa temprana. Si su secadora no funciona adecuadamente o no funciona en lo absoluto, revise lo siguiente antes de llamar a mantenimiento.

### LA SECADORA NO SE ENCIENDE

#### Verifique si...

#### Luego...

|   |   |
|---|---|
| El cable eléctrico no está enchufado adecuadamente.   | Asegúrese de que el enchufe esté conectado de manera segura en un tomacorriente con conexión a tierra, que se corresponda con la placa de clasificación.  |
| El fusible del hogar está quemado, el cortacircuitos se ha accionado, o ha ocurrido una interrupción eléctrica. | Reactive el disyuntor o cambie el fusible. No aumente la capacidad del fusible. Si el problema se debe a una sobrecarga de circuito, pida a un electricista calificado que solucione el problema. |

### LA SECADORA NO CALIENTA

#### Verifique si...

#### Luego...

|   |   |
|---|---|
| El fusible del hogar está quemado, el cortacircuitos se ha accionado, o ha ocurrido una interrupción eléctrica. | Reactive el disyuntor o cambie el fusible. No aumente la capacidad del fusible. Si el problema se debe a una sobrecarga de circuito, pida a un electricista calificado que solucione el problema. |
| Se ha apagado el suministro o servicio de gas (solo modelos a gas).   | Confirme que las llaves de gas de la casa y de la secadora estén totalmente abiertas. Incluso si no se suministra gas a la secadora, funcionará sin ningún código de error en la pantalla.        |

### MANCHAS DE GRASA O SUCIEDAD EN LAS PRENDAS

#### Verifique si...

#### Luego...

|  |  |
|--|--|
| Suavizador de telas usado incorrectamente. | Confirme y siga las instrucciones provistas con su suavizador de telas.  |
| Prendas limpias y sucias secadas juntas.   | Asegúrese de usar su secadora solo para secar artículos limpios, ya que los artículos sucios pueden ensuciar las prendas limpias en la misma carga o en las subsiguientes.   |
| Prendas limpias y sucias secadas juntas.   | Las manchas en ropas secas son en realidad manchas que no se eliminaron durante los procesos de lavado. Asegúrese de que las ropas queden completamente limpias de acuerdo con las instrucciones de su lavadora y detergentes. |

### EXCESO DE ESTÁTICA EN LAS PRENDAS DESPUÉS DEL SECADO

#### Verifique si...

#### Luego...

|  |  |
|--|--|
| No se usa suavizador de tela o se usa incorrectamente.                                   | Use un suavizador de telas para reducir la electricidad estática. Asegúrese de seguir las instrucciones del fabricante.  |
| Las prendas se secaron por demasiado tiempo. (excesivamente secas).                      | Sobrecargar una carga de lavado puede causar la acumulación de electricidad estática. Programe los ajustes y use un tiempo de secado menos prolongado; o use los ciclos secado con sensor (SENSOR DRY).        |
| Secado de telas sintéticas, planchado permanente o combinación de materiales sintéticos. | Estas telas son naturalmente propensas a la acumulación de estática. Trate de utilizar suavizante de telas, un nivel de secado LESS DRY (menos seco) y/o un tiempo más corto de secado por tiempo (TIMED DRY). |

## RESOLUCIÓN DE PROBLEMAS

### ANTES DE LLAMAR A MANTENIMIENTO (cont.)

#### EL TIEMPO DE SECADO NO ES CONSTANTE

Verifique si...

Luego...

|   |  |
|---|--|
| <p>Los ajustes de calor, el tamaño de la carga o la humedad de las prendas no son constantes.</p> | <p>El tiempo de secado para una carga variará dependiendo del tipo de calor utilizado (eléctrico, natural, o gas LP), el tamaño de la carga, el tipo de tela, el nivel de humedad de las prendas y la condición de los conductos de escape y el filtro de pelusa. Incluso una carga desequilibrada en la lavadora puede provocar un centrifugado pobre, lo que genera ropas más húmedas que tardarán más en secarse.</p> |
|---|--|

#### LAS PRENDAS TARDAN DEMASIADO TIEMPO EN SECARSE

Verifique si...

Luego...

|  |   |
|--|---|
| <p>La carga no está correctamente clasificada.</p>   | <p>Separe los ítems pesados de los livianos. El secado de ítems más grandes y pesados toma más tiempo. Los ítems livianos en una carga con ítems pesados pueden alterar el sensor ya que los ítems livianos se secan con mayor rapidez.</p>   |
| <p>Carga grande de telas pesadas.</p>  | <p>Las telas pesadas requieren de mayor tiempo de secado ya que tienden a retener mayor humedad. Para ayudar a reducir y mantener tiempos de secado más constantes para telas pesadas y de mayor tamaño, separe estos artículos en cargas más pequeñas de un tamaño sistemático.</p>  |
| <p>No se han programado adecuadamente los controles de la secadora.</p>  | <p>Use los ajustes de control adecuados para el tipo de carga que esté secando. Algunas cargas pueden requerir un ajuste del nivel de secado para lograr un secado adecuado.</p>  |
| <p>Se necesita limpiar el filtro de pelusa.</p>  | <p>Asegúrese de limpiar el filtro de pelusa antes de cada carga. Con algunas cargas que producen altas cantidades de pelusa, puede ser necesario limpiar el filtro durante el ciclo.</p>  |
| <p>Los conductos de escape están bloqueados, sucios, o el tendido de los conductos es demasiado largo</p>              | <p>Las ventilaciones bloqueadas pueden agregar un tiempo de secado significativo a la carga. Confirme que el conducto de escape esté configurado de forma adecuada y libre de escombros, pelusa y obstrucciones. Asegúrese de que los reguladores de las paredes externas se puedan abrir de forma apropiada y que no estén bloqueados, atorados ni dañados. Consulte las instrucciones de instalación en el comienzo del manual para conocer las pautas para una ventilación adecuada.</p> |
| <p>El fusible del hogar está quemado, el cortacircuitos se ha accionado, o ha ocurrido una interrupción eléctrica.</p> | <p>Reactive el disyuntor o cambie el fusible. No aumente la capacidad del fusible. Si el problema se debe a una sobrecarga de circuito, pida a un electricista calificado que solucione el problema.</p>  |
| <p>La secadora está sobrecargada.</p>  | <p>Divida las cargas grandes en cargas más pequeñas para realizar el secado.</p>  |
| <p>Hay muy poca carga en la secadora.</p>  | <p>Si está secando una carga muy pequeña, añada algunos artículos adicionales para asegurar una acción de giro apropiada. Si la carga es muy pequeña, el control electrónico no puede detectar la nivel de secado de la carga y puede apagarse demasiado pronto. Utilice el secado por tiempo (TIMED DRY) o agregue más prendas mojadas a la carga.</p>   |

# RESOLUCIÓN DE PROBLEMAS

## ANTES DE LLAMAR A MANTENIMIENTO (cont.)

### LAS PRENDAS ESTÁN ARRUGADAS

#### Verifique si...

#### Luego...

|  |  |
|--|--|
| Las prendas se secaron por demasiado tiempo (excesivamente secas).                         | Secar excesivamente una carga de lavandería puede provocar arrugas en las prendas. Intente secar por un período menos prolongado o la configuración LESS DRY (menos seco) y retire los artículos mientras aún retienen una cantidad leve de humedad. |
| Se han dejado las prendas en la secadora por demasiado tiempo una vez finalizado el ciclo. | Retire inmediatamente todos los artículos de la secadora al final del ciclo. Utilice la opción WRINKLE CARE (protector antiarrugas) para girar las prendas brevemente a intervalos al final del ciclo, durante hasta 3 horas.                        |

### LAS PRENDAS ENCOGEN

#### Verifique si...

#### Luego...

|   |   |
|---|---|
| No se siguen las instrucciones de la etiqueta de la prenda. | Para evitar que las prendas encojan, siga cuidadosamente las instrucciones de cuidado de telas correspondiente a su prenda, ya que algunas telas encogen naturalmente cuando se lavan. Otras telas se pueden lavar, pero encogen cuando se secan en una secadora. Use un ajuste de calor bajo o sin calor y/o la opción secado en estante (RACK DRY). |
|---|---|

### EL INDICADOR DE VERIFICACIÓN DE VENTILACIÓN PARPADEA

#### Verifique si...

#### Luego...

|  |   |
|--|---|
| El conducto es muy largo o tiene demasiadas vueltas/restricciones.                         | Instale un conducto más corto o recto. Ver las Instrucciones de instalación para obtener detalles.  |
| Obstrucción parcial del conducto debido a una acumulación de pelusas u otro objeto extraño | El conducto debe controlarse/limpiarse inmediatamente. La secadora puede utilizarse en este estado, pero los tiempos de secado serán más prolongados y se incrementará el consumo de energía. |

### LA PANTALLA MUESTRA LOS ERRORES TE1 O TE2

#### Verifique si...

#### Luego...

|                                    |   |
|------------------------------------|---|
| Falla en el sensor de temperatura. | Apague la secadora y llame a mantenimiento. |
|------------------------------------|---|

### PELUSA EN LAS PRENDAS

#### Verifique si...

#### Luego...

|  |   |
|--|---|
| No se ha limpiado correctamente el filtro de pelusa.       | Asegúrese de limpiar el filtro de pelusa antes de cada carga. Con algunas cargas que producen altas cantidades de pelusa, puede ser necesario limpiar el filtro durante el ciclo.             |
| Prendas de lavado no clasificadas adecuadamente.           | Algunas telas producen pelusas (por ejemplo: una toalla de algodón peluda blanca) y deben secarse aparte de las prendas que atrapan pelusa (por ejemplo: un par de pantalones de lino negro). |
| Exceso de estática en las prendas.                         | La estática puede hacer que la ropa posea pelusas. Lea la sección de Exceso de Estática en la Ropa Luego del Secado (Excess Static in Clothes After Drying) en la página 55.                  |
| La secadora está sobrecargada.                             | Divida las cargas grandes en cargas más pequeñas para realizar el secado.   |
| Pañuelos de papel, papeles, etc. dejados en los bolsillos. | Revise los bolsillos minuciosamente antes de lavar y secar prendas.   |



## Garantía Limitada de un Año

Si al instalar, usar y mantener de acuerdo con todas las instrucciones provistas con este producto, el mismo falla debido a un defecto de material o fabricación dentro del año desde su fecha de adquisición, llame al 1-800-4-MY-HOME® para programar una reparación gratuita.

Si este electrodoméstico se usa con propósitos que exceden el uso familiar, esta garantía sólo tendrá una validez de 90 días desde la fecha de adquisición.

### Esta garantía cubre únicamente defectos de material y fabricación. Sears NO cubrirá:

1. Ítems no renovables que se gasten fuera del uso normal, incluyendo pero no limitándose a filtros, cinturones, bombillas de luz y bolsas.
2. Un técnico del servicio de reparación, quien instruirá al usuario sobre la correcta instalación, funcionamiento y mantenimiento del producto.
3. Un técnico del servicio que limpiará o mantendrá este producto.
4. Daños sobre o fallas del producto si no es instalado, usado o mantenido de acuerdo con todas las instrucciones suministradas con el producto.
5. Daños sobre o fallas del producto que resulten de accidentes, abuso, uso inadecuado o uso para propósitos fuera del uso correspondiente.
6. Daños sobre o fallas del producto causadas por el uso de detergentes, limpiadores, químicos o utensilios que no sean los recomendados en todas las instrucciones suministradas con el producto.
7. Daños sobre o fallas de partes o sistemas que resulten de modificaciones no autorizadas realizadas sobre este producto.

### Descargo de responsabilidad de las garantías implícitas; limitación de reparaciones

La única y exclusiva reparación a la cual accederá el cliente bajo esta garantía limitada será la reparación del producto aquí provista. Las garantías implícitas, incluyendo garantías de comerciabilidad o conveniencia sobre un propósito particular, se limitan a un año o al período más corto permitido por la ley. Sears no será responsable por daños accidentales o consecuentes. Algunos estados y provincias no permiten la exclusión o limitación de daños accidentales o consecuentes, o la limitación sobre la duración de las garantías implícitas de comerciabilidad o conveniencia, de modo que es posible que estas exclusiones o limitaciones no se apliquen en su caso.

Esta garantía tiene vigencia sólo cuando el electrodoméstico se use en Estados Unidos o Canadá.

Esta garantía le da derechos legales específicos y es posible que tenga otros derechos legales que varían entre un estado y otro.

Sears Roebuck and Co., Hoffman Estates, IL 60179  
Sears Canada, Toronto, Ontario, Canada M5B 2B8

# Get it fixed, at your home or ours!

## Your Home

For repair – **in your home** – of **all** major brand appliances, lawn and garden equipment, or heating and cooling systems, **no matter who made it, no matter who sold it!**

For the replacement parts, accessories and owner's manuals that you need to do-it-yourself.

For Sears professional installation of home appliances and items like garage door openers and water heaters.

**1-800-4-MY-HOME® (1-800-469-4663)**

Call anytime, day or night (U.S.A. and Canada)

[www.sears.com](http://www.sears.com)    [www.sears.ca](http://www.sears.ca)

*For expert home solutions advice: [www.managemyhome.com](http://www.managemyhome.com)*

---

## Our Home

For repair of carry-in items like vacuums, lawn equipment, and electronics, call or go on-line for the location of your nearest

### Sears Parts & Repair Service Center

**1-800-488-1222 (U.S.A.)    1-800-469-4663 (Canada)**

Call anytime, day or night

[www.sears.com](http://www.sears.com)    [www.sears.ca](http://www.sears.ca)

---

To purchase a protection agreement on a product serviced by Sears:

**1-800-827-6655 (U.S.A.)**

**1-800-361-6665 (Canada)**

---

Para pedir servicio de reparación a domicilio, y para ordenar piezas:

**1-888-SU-HOGAR®**

(1-888-784-6427)

Au Canada pour service en français:

**1-800-LE-FOYER<sup>MC</sup>**

(1-800-533-6937)

[www.sears.ca](http://www.sears.ca)



® Registered Trademark / <sup>TM</sup> Trademark / <sup>SM</sup> Service Mark of Sears Brands, LLC

® Marca Registrada / <sup>TM</sup> Marca de Fábrica / <sup>SM</sup> Marca de Servicio de Sears Brands, LLC

<sup>MC</sup> Marque de commerce / <sup>MD</sup> Marque déposée de Sears Brands, LLC

© Sears Brands, LLC