

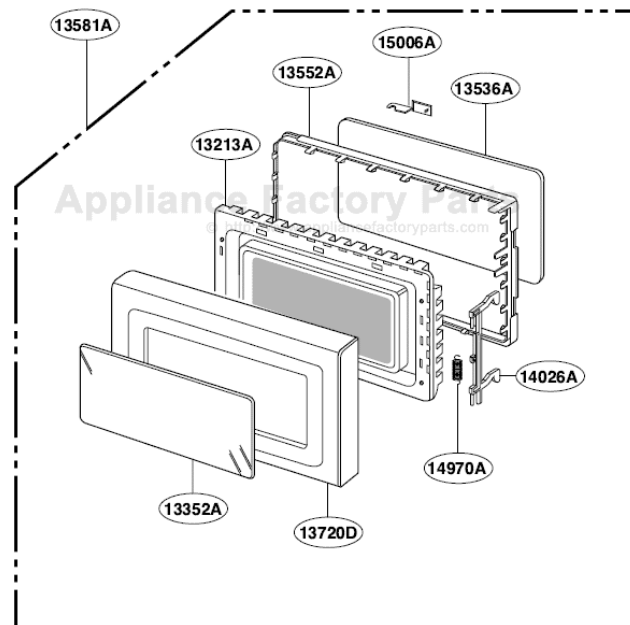
This Owner's Manual is provided and hosted by [Appliance Factory Parts](#).



LG JVM1533WD-0 Owner's Manual

[Shop genuine replacement parts for LG JVM1533WD-0](#)

DOOR PARTS



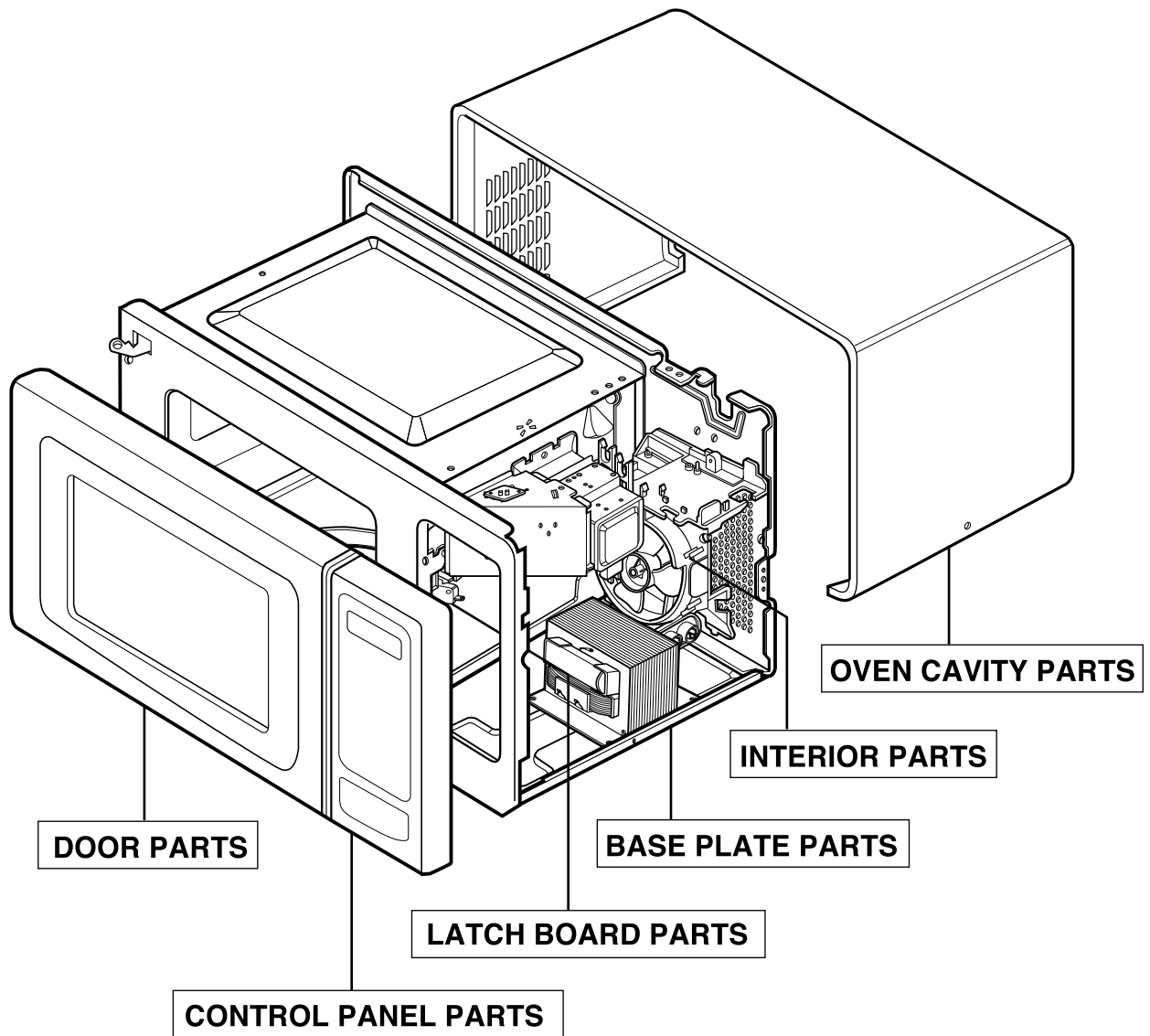
[Find Your LG Microwave Parts - Select From 955 Models](#)

----- Manual continues below -----

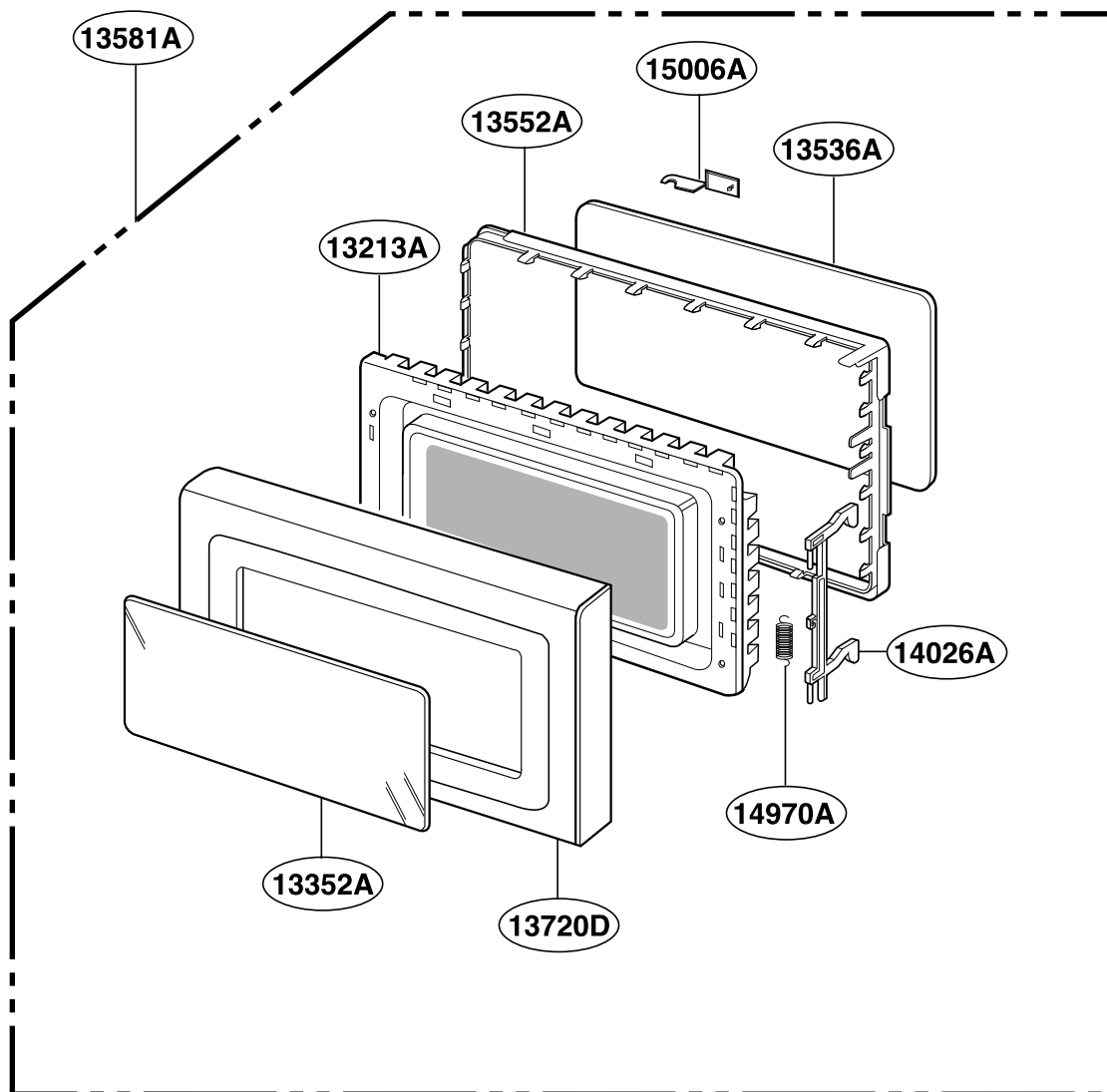
EXPLODED VIEW

INTRODUCTION

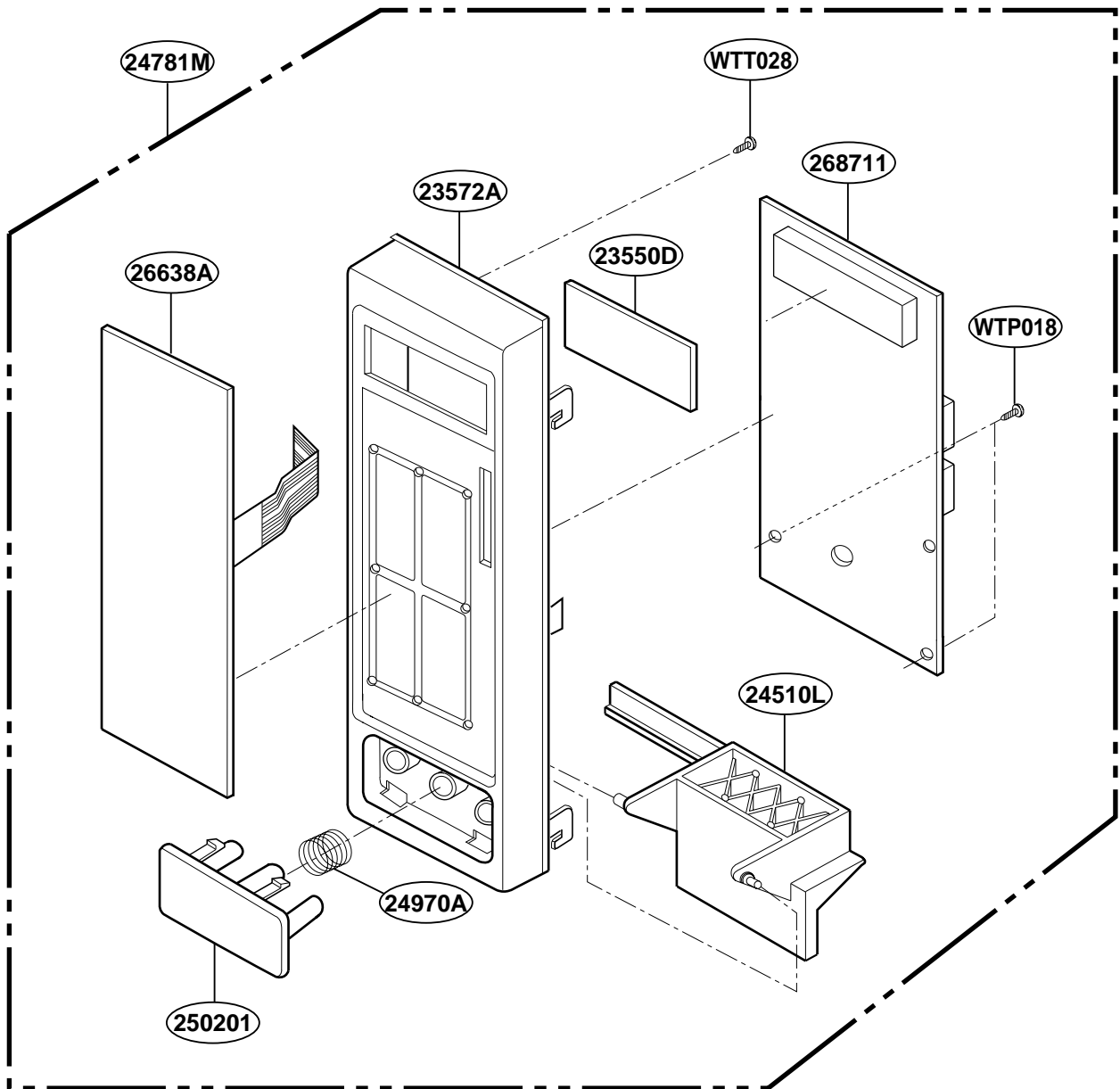
MODEL: JES1133WD



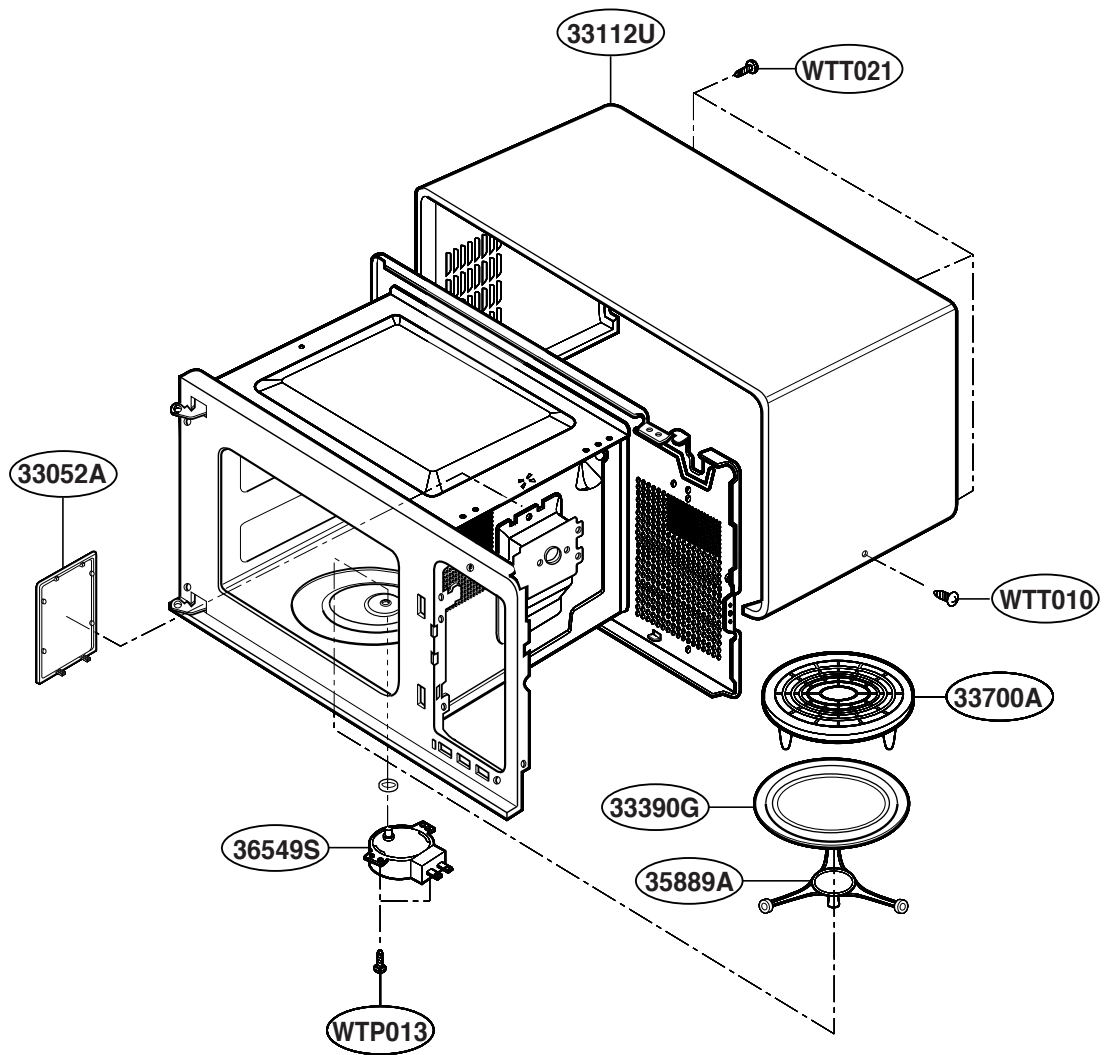
DOOR PARTS



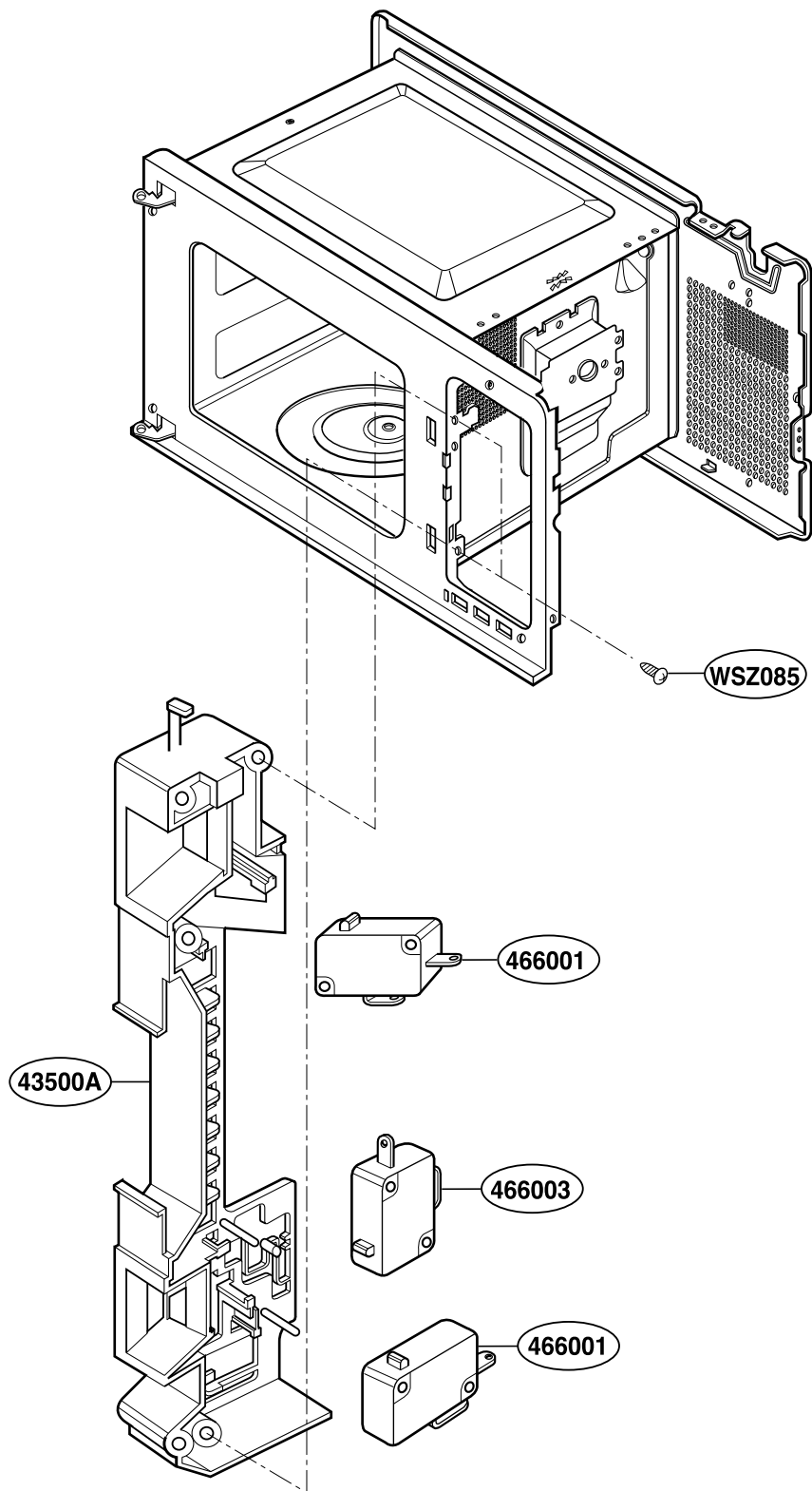
CONTROLLER PARTS



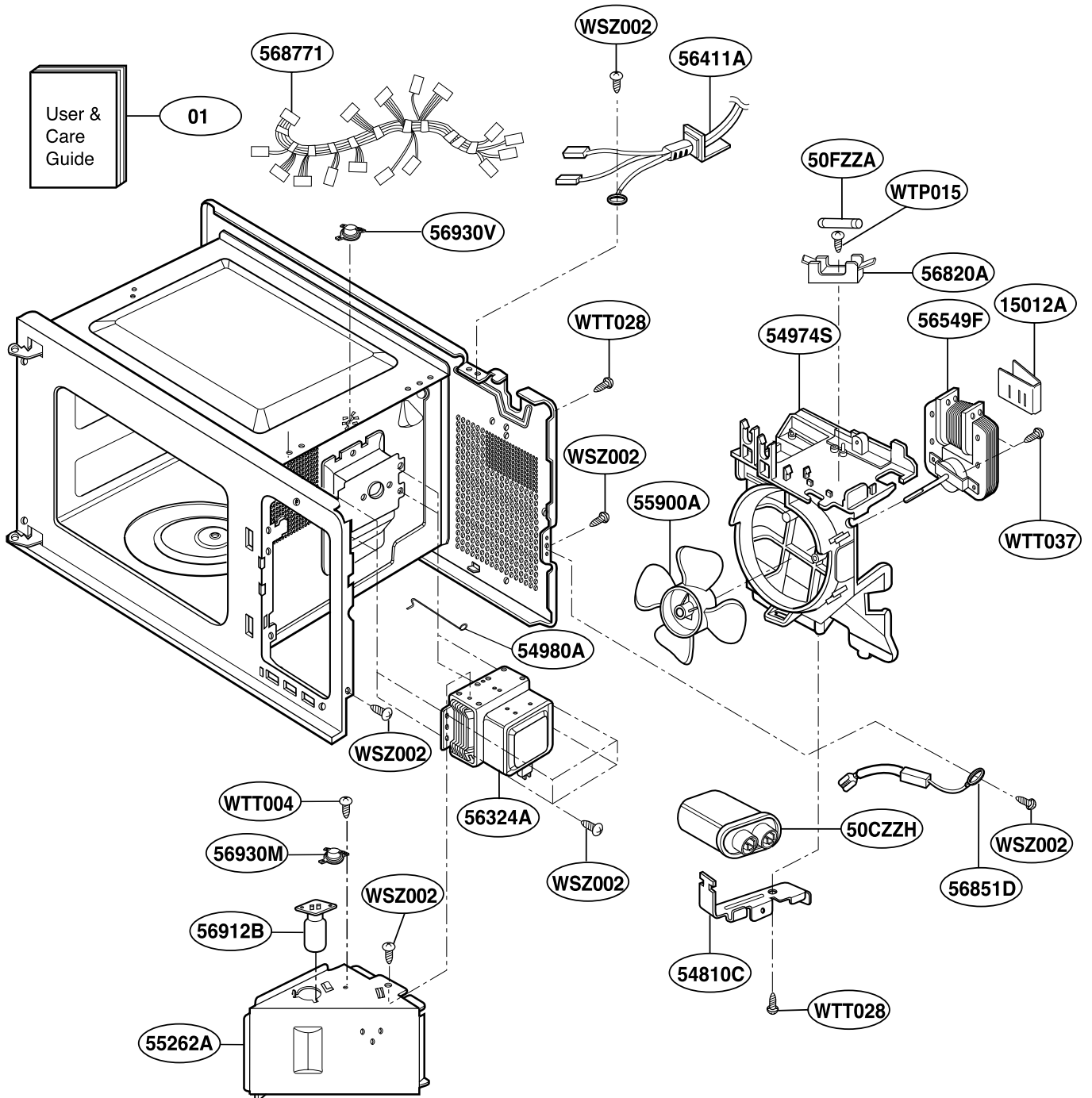
OVEN CAVITY PARTS



LATCH BOARD PARTS



INTERIOR PARTS



BASE PLATE PARTS

